

Igniter

IGT006 Type

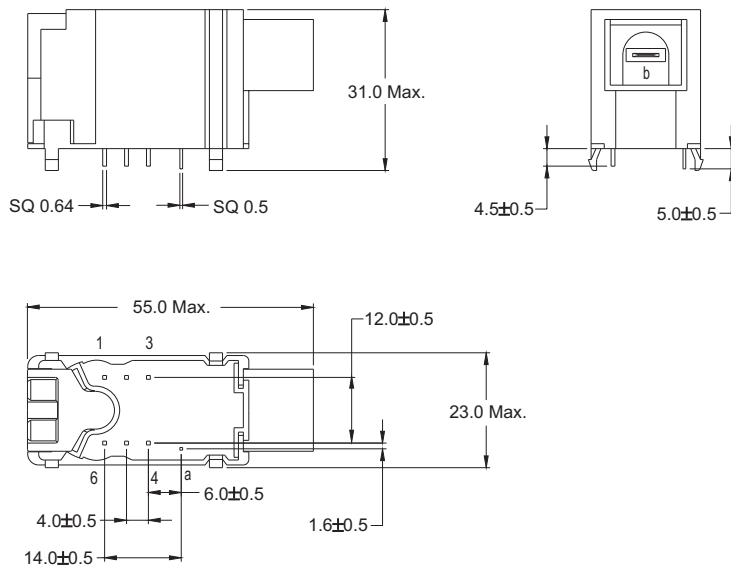
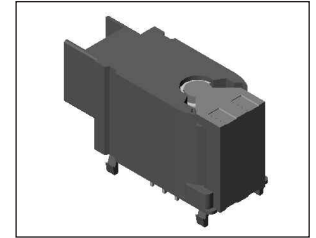
Features

- When printing message is given, the driver will offer H.V. To start the lamp for scanning the information and then performing printing.

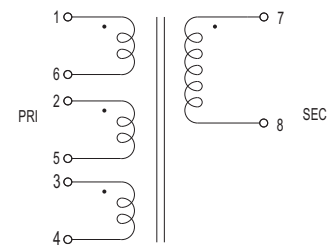
Applications

- Printer Driver

Mechanical Dimension: Unit: mm



Transformer Schematic :

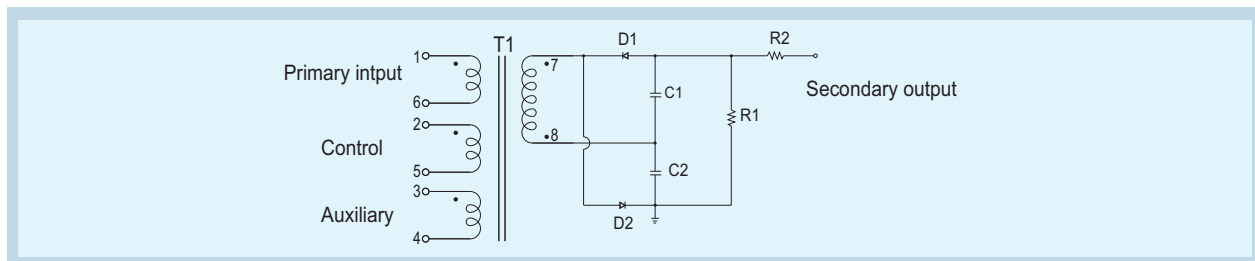


Electrical Characteristics:

- AT 25°C, 65%RH

PART NO.	PRIMARY INPUT VOLTAGE (Vdc)	SECONDARY OUTPUT VOLTAGE (KVdc)	WEIGHT
IGT-006	5.0~24.0	2.0~6.0	39g

Construction Circuit:



DELTA ELECTRONICS, INC.

(TAOYUAN PLANT CPBG) 252, SAN YING ROAD, KUEISAN INDUSTRIAL ZONE, TAOYUAN SHIEN, 333, TAIWAN, R.O.C.

TEL: 886-3-3591968; FAX: 886-3-3591991

<http://www.deltaww.com>