

**Warning:** It needs 2 people to put up some TV! Our company will not responsible for any damage by man-made.

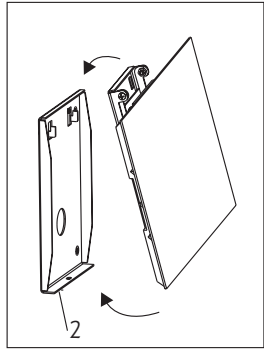


Fig3a

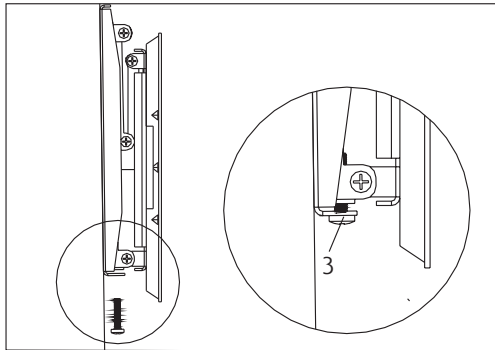


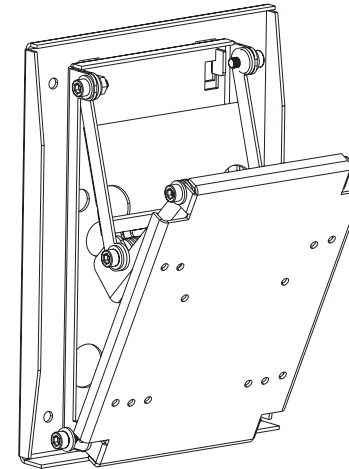
Fig3b



## *Plasma LCD bracket*

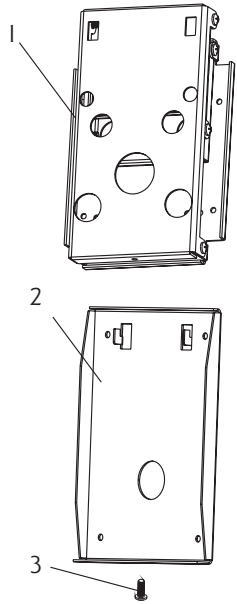
### INSTALLATION GUIDE

Item No.:PWLB805

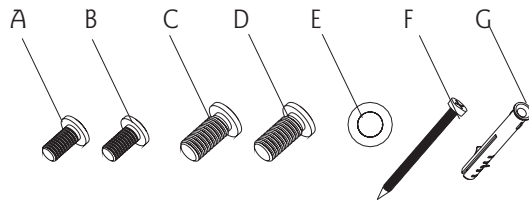


- TV Size Rang: 10"–24"
- Thinnest design: Distance to the wall is only 30mm
- Safe lock: install safe bolt to luck up
- Max load capacity: 15kg/33lbs

Parts:



Letter	Qty	Description
1	1	Monitor Plate
2	1	Wall Plate
3	2	Safety bolt
A	4	M4x8 bolt
B	4	M4x12 bolt
C	4	M5x8 bolt
D	4	M5x12 bolt
E	4	M5 washer
F	4	Long bolt
G	4	Wall anchor



### Step 1: Install the display

According to the Fig. 1, mount the part-a to the back of the LCD. First determine the right holes, which should be level to each other, on the part-a according to the holes in the back of the LCD. Mount the part-a to the back of the LCD by 4 bolts and washers (D).

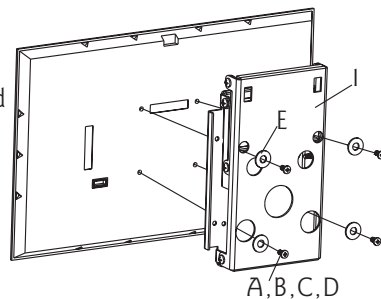


Fig 1

**Carefully:** Don't force the bolt to LCD hole, avoiding damage to people and instrument. Don't use electronics drill to fasten screw.

### Step 2: Mount the part-b to the wall. (Wood stud, Brick, Solid Concrete and Masonry wall mounting options are provided below)

#### Wood stud mounting

First determine the required position in the wall. Mark 4 locations at the wall according to the holes in the Wall Plate(2), according to the Fig 2a. Then pre-drill 50mm (at least) deep hole with a 3mm drill bit. Fix the Wall Plate(2) to the wall by bolt (F), as the Fig 2b shows. Please note the hooks in the Wall Plate(2) is up.

#### Brick, Solid Concrete and Masonry wall mounting

After determine the required position in the wall, mark 4 locations at the wall according to the holes in the Wall Plate(2), then pre-drill 50mm (at least) deep hole with a 11mm drill bit at the position of marks. Insert the Wall anchor cover to every hole. Last fix the Wall Plate(2) to the wall by bolt (F). Please note the hooks in the Wall Plate(2) is up.

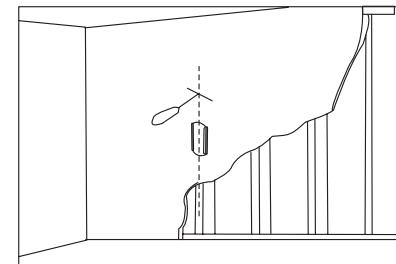


Fig2a

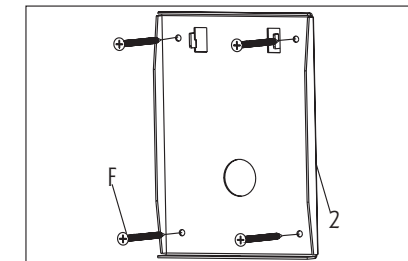


Fig2b

### Step 3 mount the LCD display to the part b in the wall

Lift the Monitor Plate against to the Wall Plate(2) with hole to hole, and according to the Fig 3a. Then slide the part a to the slot of the part b, as the Fig 3b shows. Then tighten the safety bolt.