

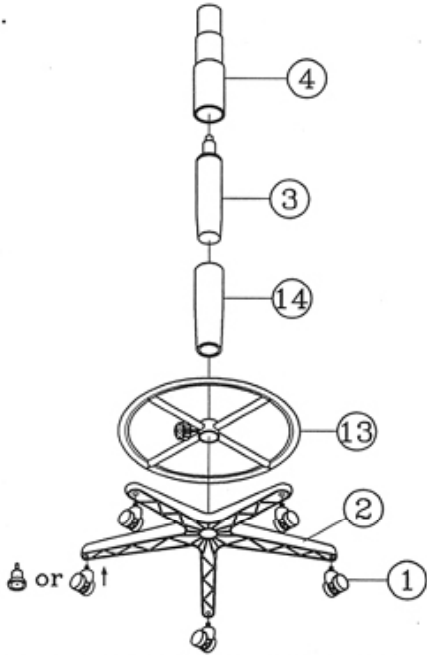


Assembly Instructions for Chair No. DC724

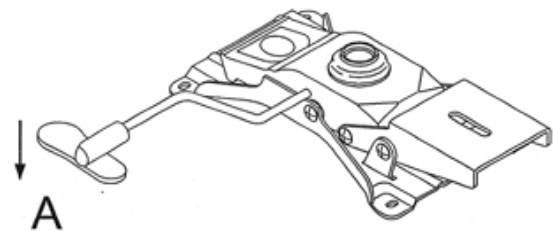
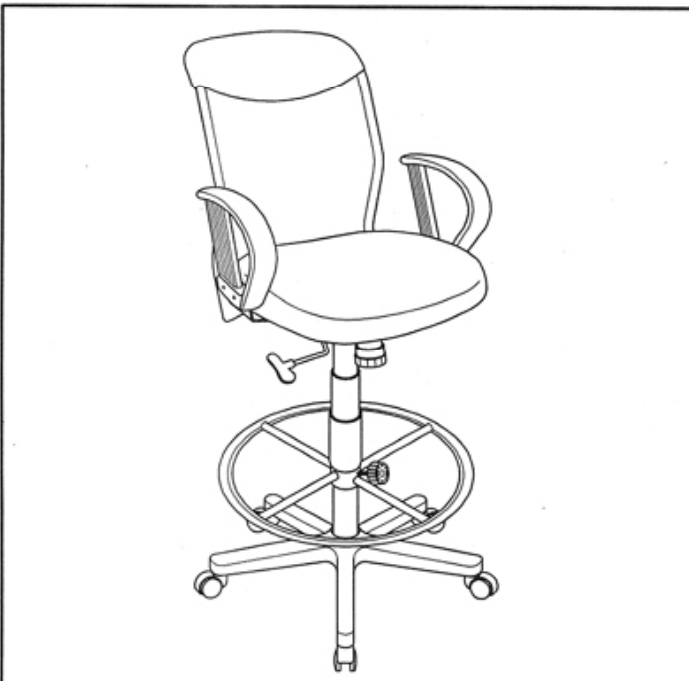
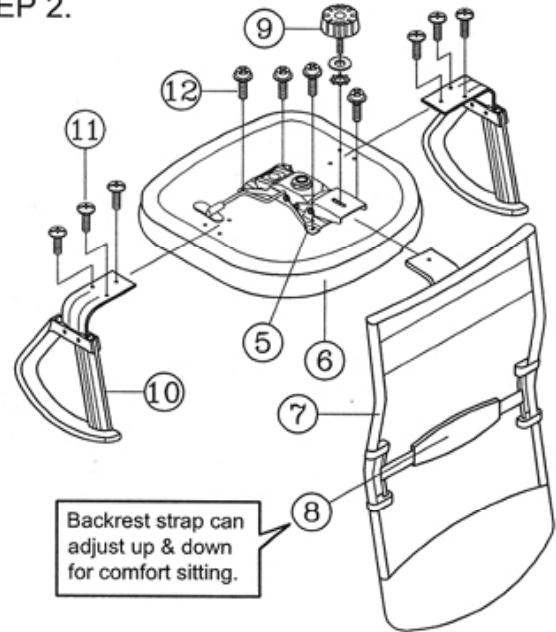
PART LIST

KEY QTY	DESCRIPTION	KEY QTY	DESCRIPTION	KEY QTY	DESCRIPTION
1	5 Casters	7	1 Backrest	12	4 Seat Plate Screws
2	1 Base	8	1 Lumbar Support Strap	13	1 Footrest + Height Adjustment Knob
3	1 Gas Cylinder	9	1 Seat Depth Adjustment Knob + Washers	14	1 Extension Tube
4	1 Cylinder Cover				
5	1 Seat Plate	10	2 Armrests		
6	1 Seat	11	6 Armrest Screws		

STEP 1.



STEP 2.



MECHANISM OPERATING INSTRUCTION WHILE SEATING :

- (A) SEAT HEIGHT ADJUSTMENT :
Pull lever up and downward . Release lever when desired position is reached.

