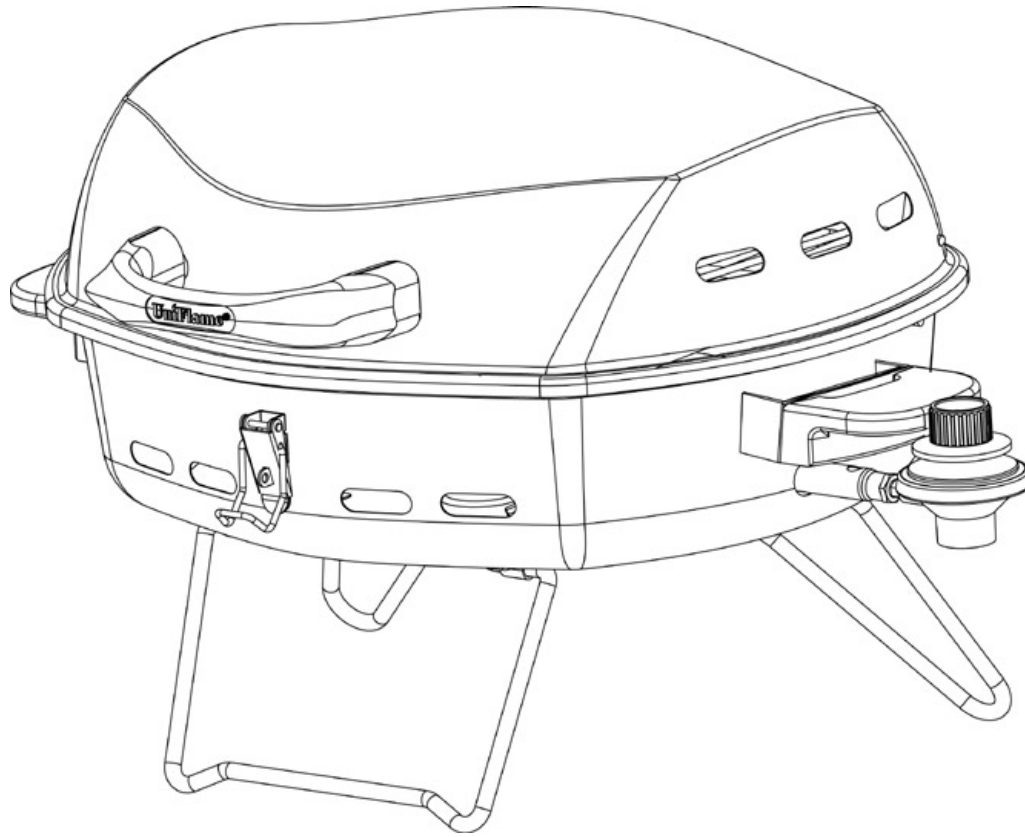




## Outdoor LP Gas Barbecue Grill

Model No. 253402



**WARNING**  
**FOR YOUR SAFETY:**  
 For Outdoor Use Only  
 (outside any enclosure)

**WARNING**  
**FOR YOUR SAFETY:**

1. Improper installation, adjustment, alteration, service or maintenance can cause injury or property damage.
2. Read the installation, operation, and maintenance instructions thoroughly before installing or servicing this equipment.
3. Failure to follow these instructions could result in fire or explosion, which could cause property damage, personal injury, or death.

**California Proposition 65:**  
 Chemicals known to the State of California to cause cancer, birth defects, or other reproductive harm are created by the combustion of propane.

Save these instructions for future reference. If you are assembling this unit for someone else, give this manual to him or her to read and save for future reference.

### Table of Contents

Important Safeguards .....	2
Exploded View & Hardware .....	3
Assembly Instructions .....	4
Operating Instructions .....	6
Connecting Gas Tank .....	6
Check for Leaks .....	6
Lighting .....	6
Turning Off .....	6
Initial Use .....	6
Cooking .....	6
Tips .....	6
Cleaning and Care .....	6
Product Registration .....	7
Limited Warranty .....	7
Troubleshooting .....	8

The use and installation of this product must conform to local codes. In absence of local codes, use the *National Fuel Gas Code, ANSI Z223.1/NFPA 54, CAN/CGA-B149.1, Natural Gas and Propane Installation Code.*

Manufactured in China for:  
 Blue Rhino Global Sourcing, LLC  
 104 Cambridge Plaza Drive, Winston-Salem, NC 27104 USA  
 1.800.762.1142, www.bluerhino.com

© 2005 Blue Rhino Global Sourcing, LLC. All Rights Reserved  
 UniFlame® is a Registered Trademark of Blue Rhino Global Sourcing, LLC.. All Rights Reserved.




**DANGER**

If you smell gas -

1. Shut off gas to appliance.
2. Extinguish any open flame.
3. Open lid.
4. If odor continues, keep away from the appliance and immediately call your gas supplier or your fire department.


**WARNING**
**FOR YOUR SAFETY**

1. Do not store spare LP cylinder within 10 feet (3 m) of this appliance.
2. Do not store or use gasoline or other liquids with flammable vapors within 25 feet (8 m) of this or any other appliance.
3. An LP cylinder not connected for use shall not be stored in the vicinity of this or any other appliance.

**Safety First**
**DANGERS and *Cautions***

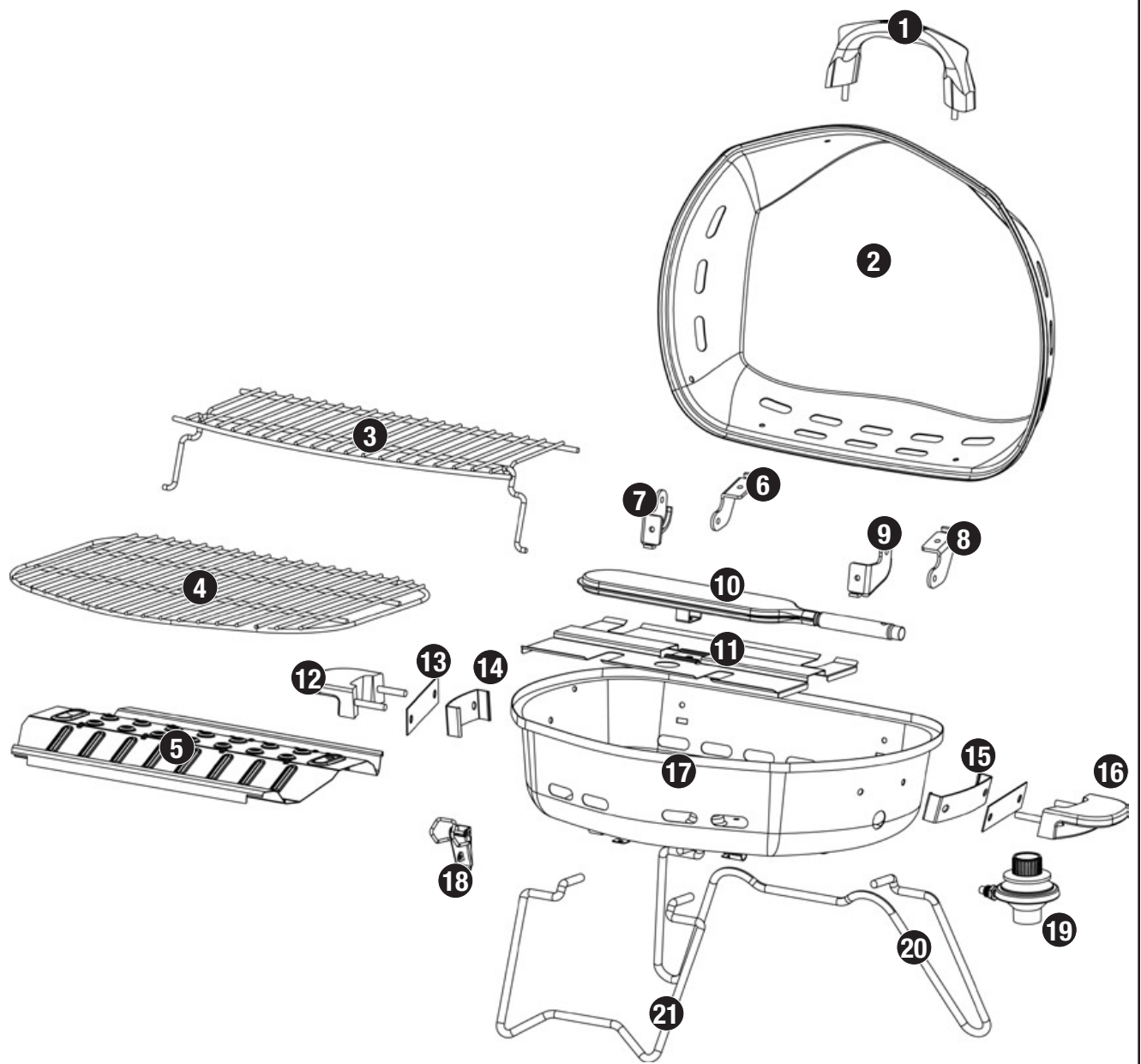
1. This grill is for outdoor use only, and shall not be used in a building, garage, or any other enclosed area.
2. This grill is NOT for commercial use.
3. This is not a tabletop grill. Therefore, do not place this grill on any type of tabletop surface.
4. This grill is for use with liquid propane (LP) gas only. The conversion to or attempted use of natural gas in this LP gas grill is dangerous and will void your warranty.
5. LP gas Characteristics:
  - a. LP gas is flammable and hazardous if handled improperly. Become aware of the characteristics before using any LP gas product.
  - b. LP gas is explosive under pressure, heavier than air, and settles and pools in low areas.
  - c. LP gas in its natural state has no odor. For your safety, an odorant is added that smells like rotten cabbage.
  - d. Contact with LP gas can cause freeze burns to skin.
6. LP gas tank needed to operate. Only tanks marked "propane" may be used.
7. The LP gas supply tank must be constructed and marked in accordance with the *Specifications for LP gas Cylinders* of the U.S. Department of Transportation (DOT) or the National Standard of Canada, *CAN/CSA-B339, Cylinders, Spheres and Tubes for the Transportation of Dangerous Goods; and Commission*.
8. LP gas tank must be arranged for vapor withdrawal.
9. Dented or rusted LP gas tanks may be hazardous and should be checked by your LP gas supplier prior to use.
10. The LP gas tank should not be dropped or handled roughly.
11. Tanks must be stored outdoors out of the reach of children and must not be stored in a building, garage, or any other enclosed area. Your tank must never be stored where temperatures can reach over 125°F.
12. Never attempt to attach this grill to the self-contained LP gas system of a camper trailer, motor home, or house.
13. The use of alcohol, or prescription or non-prescription drugs may impair the consumer's ability to properly assemble or safely operate the appliance.
14. Never use charcoal, lighter fluid, lava rocks, gasoline, kerosene, or alcohol with this product.
15. Your grill has been checked at all factory connections for leaks. Recheck all connections, as movement in shipping can loosen connections.
16. Check for leaks even if your unit was assembled for you by someone else.
17. Do not operate if gas leak is present. Gas leaks may cause a fire or explosion.
18. You must follow all leak-checking procedures before operating. To prevent fire or explosion hazard when testing for a leak:
  - a. Always perform leak test before lighting the grill and each time the tank is connected for use.
  - b. No smoking. Do not use or permit sources of ignition in the area while conducting a leak test.
  - c. Conduct the leak test outdoors in a well-ventilated area.
  - d. Do not use matches, lighters, or a flame to check for leaks.
  - e. Do not use grill until any and all leaks are corrected. If you are unable to stop a leak, disconnect the LP gas supply. Call a gas appliance serviceman or your local LP gas supplier.
19. Do not use in an explosive atmosphere. Keep grill area clear and free from combustible materials, gasoline and other flammable vapors and liquids.
20. Keep all combustible items and surfaces at least 21 inches (53 cm) away from the grill at all times. DO NOT use this grill or any gas product under any overhead or near any unprotected combustible constructions.
21. It is essential to keep the grill's valve compartment, burners, and circulating air passages clean. Inspect grill before each use.
22. Do not alter grill in any manner.
23. Do not use the grill unless it is COMPLETELY assembled and all parts are securely fastened and tightened.
24. This grill should be thoroughly cleaned and inspected on a regular basis.
25. Use only the regulator provided. The replacement regulator shall be that specified by the manufacturer.
26. Use only Blue Rhino Global Sourcing, LLC. factory authorized parts. The use of any part that is not factory authorized can be dangerous. This will also void your warranty. Contact 1.800.762.1142.
27. Do not use this appliance without reading "Operating Instructions" in this manual.
28. Do not touch metal parts of grill until it has completely cooled (about 45 min.) to avoid burns, unless you are wearing protective gear (pot holders, gloves, BBQ mittens, etc.).
29. Do not install or use in or on boats or recreational vehicles.
30. When cooking, fire extinguishing materials shall be readily accessible. In the event of an oil grease fire, do not attempt to extinguish with water. Use type BC dry chemical fire extinguisher or smother with dirt, sand or baking soda.
31. Do not use grill in high winds.
32. Never lean over the grill when lighting.
33. Do not leave a lit grill unattended, especially keep children and pets away from grill at all times.
34. Do not attempt to move grill when in use. Allow the grill to cool before moving or storing.
35. Storage of grill indoors is permissible only if the tank is disconnected, removed from the grill and properly stored outdoors.
36. Always open grill lid carefully and slowly as heat and steam trapped within grill can severely burn you.
37. Do not attempt to disconnect the gas regulator from the tank or any gas fitting while the grill is in use.
38. Disconnect cylinder when not in use.
39. Always use your grill on a hard, non-combustible level surface. An asphalt or blacktop surface may not be acceptable for this purpose.
40. Do not use on wooden decks.
41. Keep all electrical cords away from a hot grill.
42. Do not use grill for indoor cooking or heating. TOXIC fumes can accumulate and cause asphyxiation.
43. After a period of storage and/or nonuse, check for leaks, burner obstructions and inspect for any abrasion, wear, cuts to the hose.
44. Failure to open lid while igniting the grill's burner, or not waiting 5 minutes to allow the gas to clear if the grill does not light, may result in an explosive flame-up.
45. If grill is not in use, the gas must be turned off at the supply tank.
46. Never operate grill without heat plate installed.
47. Always use a meat thermometer to ensure food is cooked to a safe temperature.
48. Do not store a spare LP gas tank under or near this appliance.
49. Deaths, serious injury or damage to property may occur if the above is not followed exactly.

Contact 1.800.762.1142 for assistance. Do not return to place of purchase.

### Exploded View

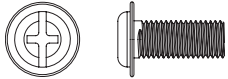
- 1. Lid Handle ..... 55-14-447
- 2. Lid ..... 55-14-444
- 3. Warming Rack ..... 55-14-451
- 4. Cooking Grid ..... 55-14-448
- 5. Heat Plate ..... 55-14-450
- 6. Left Top Hinge ..... 55-14-454
- 7. Left Bottom Hinge ..... 55-14-456
- 8. Right Top Hinge ..... 55-14-455
- 9. Right Bottom Hinge ..... 55-14-457
- 10. Burner ..... 55-14-449
- 11. Heat Reflector Plate ..... 55-14-452
- 12. Left Side Handle ..... 55-14-461
- 13. Heat Resistant Handle Washer (2) .. 55-15-333
- 14. Left Side Handle Support ..... 55-14-458
- 15. Right Side Handle Support ..... 55-14-459
- 16. Right Side Handle ..... 55-14-460
- 17. Bottom Bowl ..... 55-14-445
- 18. Lock ..... 55-14-453
- 19. Regulator ..... 55-14-446
- 20. Back Leg\* ..... 55-15-331
- 21. Front Leg\* ..... 55-15-332

\*Pre-assembled

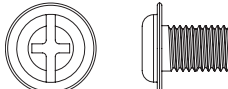


### Hardware

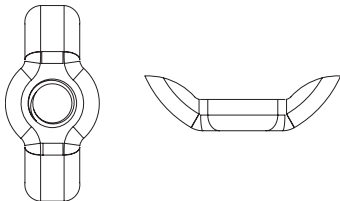
- A. Small Screw 4 pcs  
M5x12 Zinc Plated Phillips Truss Head Screw



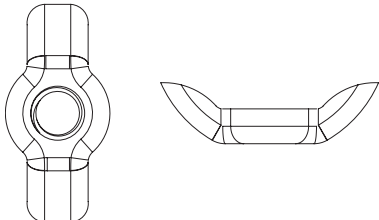
- B. Large Screw 1 pc  
M6x10 Zinc Plated Phillips Truss Head Screw



- C. Small Wing Nut 4 pcs  
M5 Zinc Plated Wing Nut



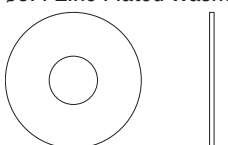
- D. Large Wing Nut 6 pcs  
M6 Zinc Plated Wing Nut



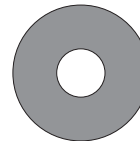
- E. Small Washer 4 pcs  
ø5 Zinc Plated Washer



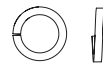
- F. Large Washer 6 pcs  
ø6.4 Zinc Plated Washer



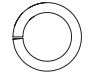
- G. Heat Resistant Washer 6 pc  
ø6 Heat Resistant Washer



- H. Small Lock Washer 4 pcs  
ø5 Zinc Plated Lock Washer



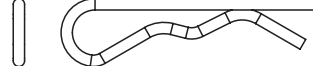
- I. Large Lock Washer 6 pcs  
ø6.4 Zinc Plated Lock Washer



- J. Pins\*\* 2 pcs

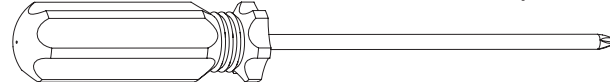


- K. Cotter Pins\*\* 2 pcs



### Tool Included

- L. Screwdriver\*\* 1 pc



\*\* Not shown at actual size.

### Assembly Instructions

**DO NOT RETURN PRODUCT TO STORE.**

For assistance call 1.800.762.1142 toll free. Please have your owner's manual and serial number available for reference.

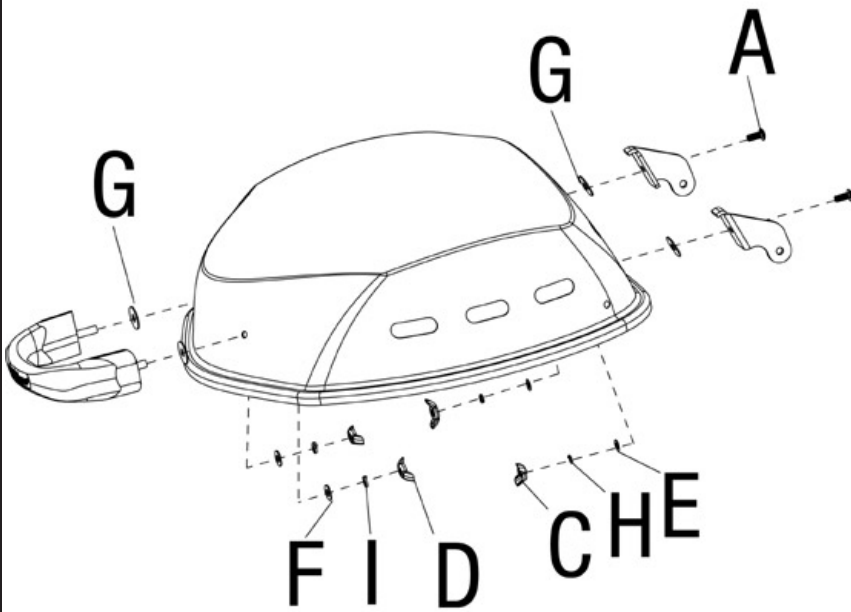
For Easiest Assembly:

- To avoid losing any small components or hardware, assemble your product on a hard level surface that does not have cracks or openings.
- Clear an area large enough to layout all components and hardware.
- When applicable, tighten all hardware connections by hand first. Once the step is completed, go back and fully tighten all hardware.
- Follow all steps in order to properly assemble your product.

#### Step 1 Assemble lid

# 1

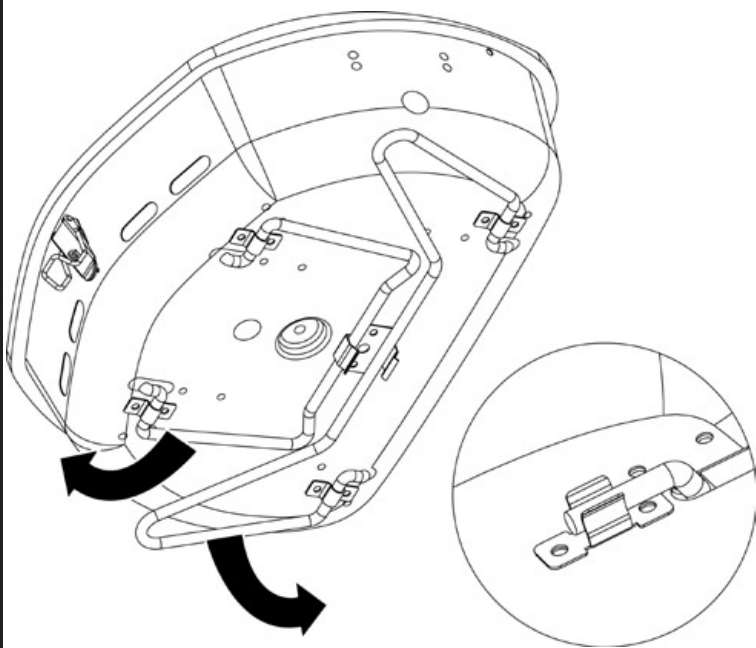
- Attach lid handle to lid using 2 sets of heat resistant washers (G), large washers (F), large lock washers (I), and large wing nuts (D).
- Attach left top hinge to lid using small screw (A), heat resistant washer (G), small washer (E), small lock washer (H), and small wing nut (C).
- Attach right top hinge to lid using small screw (A), heat resistant washer (G), small washer (E), small lock washer (H), and small wing nut (C).



#### Step 2 Unfold legs

# 2

Unfold legs from grill bottom and snap into place.

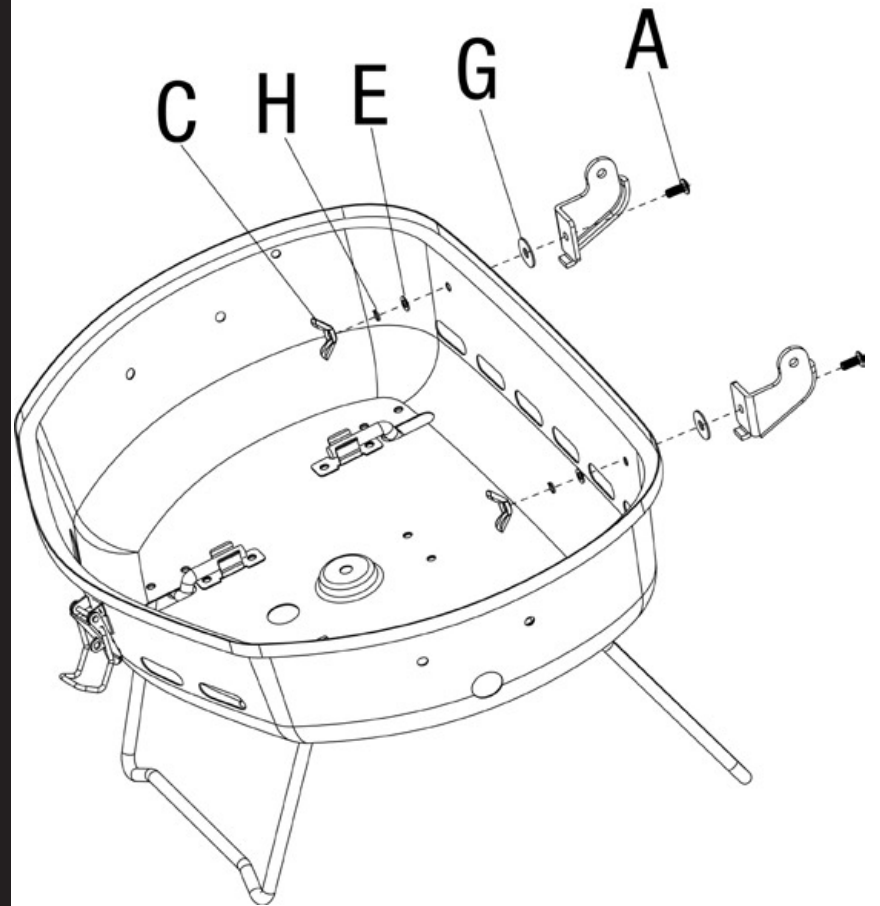


#### Step 3 Attach bottom hinges

# 3

- Attach left bottom hinge to bottom bowl using small screw (A), heat resistant washer (G), small washer (E), small lock washer (H), and small wing nut (C).
- Attach right bottom hinge to bottom bowl using small screw (A), heat resistant washer (G), small washer (E), small lock washer (H), and small wing nut (C).

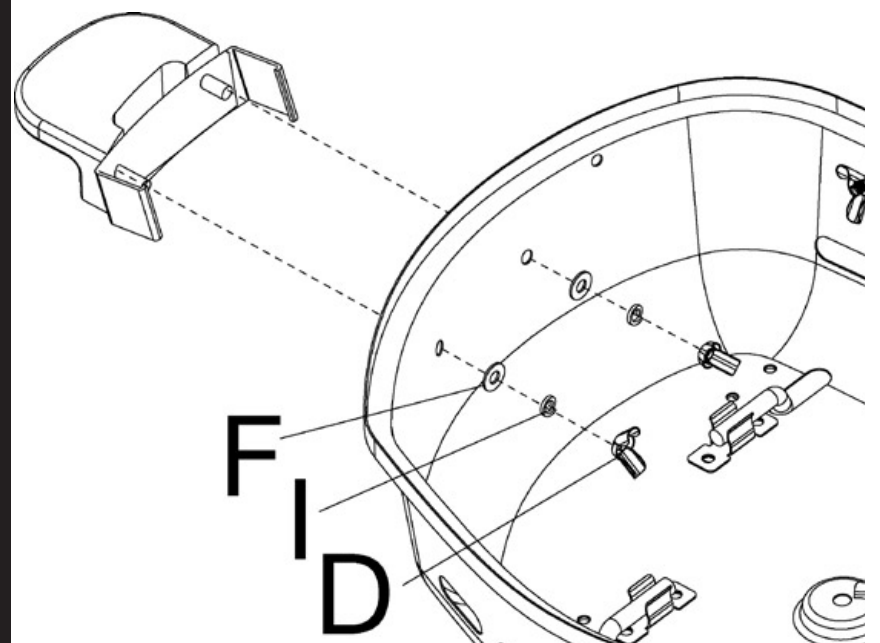
*Note:* Finger tighten hinges into place.



#### Step 4 Attach left side handle

# 4

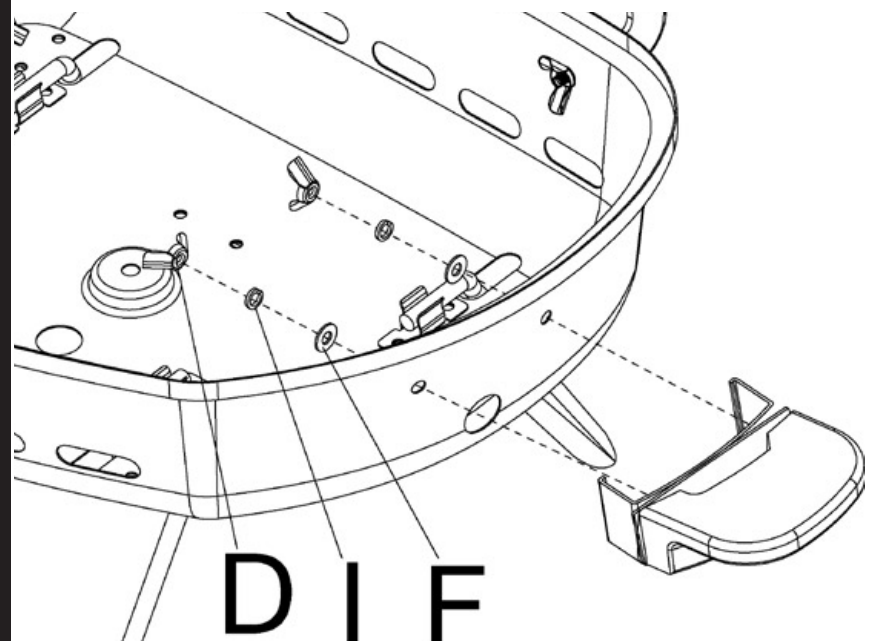
Attach left side handle, heat resistant plate and left side handle support to bottom bowl using 2 sets of large washers (F), large lock washers (I), and large wing nuts (D).



#### Step 5 Attach right side handle

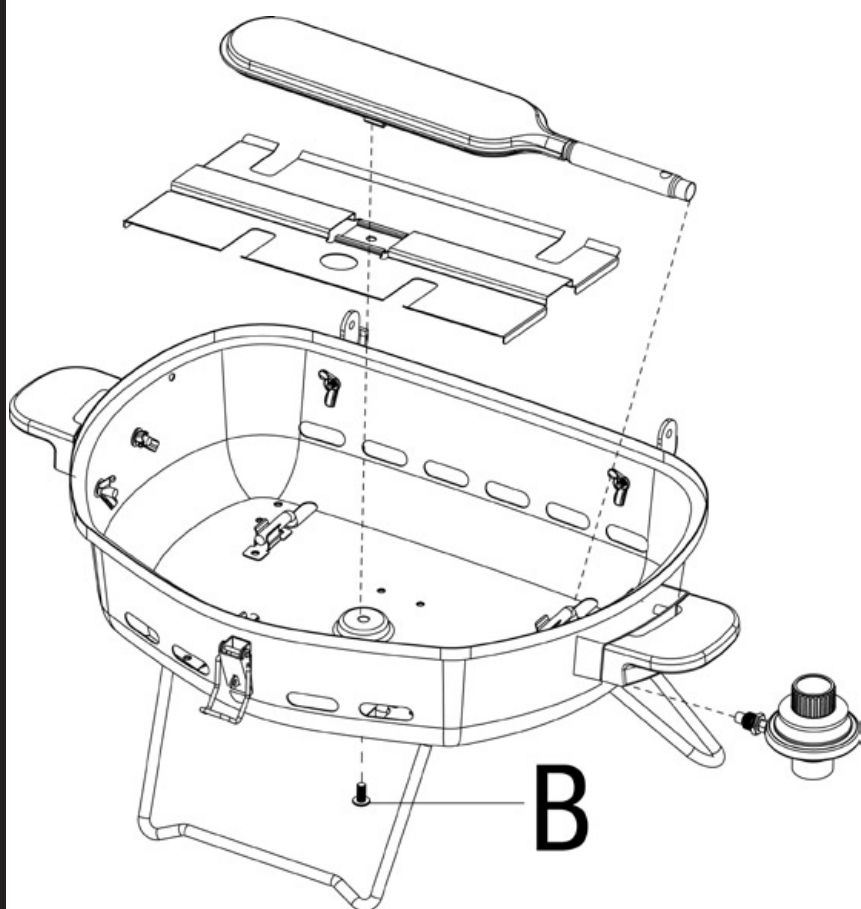
# 5

Attach right side handle, heat resistant plate and right side handle support to bottom bowl using 2 sets of large washers (F), large lock washers (I), and large wing nuts (D).



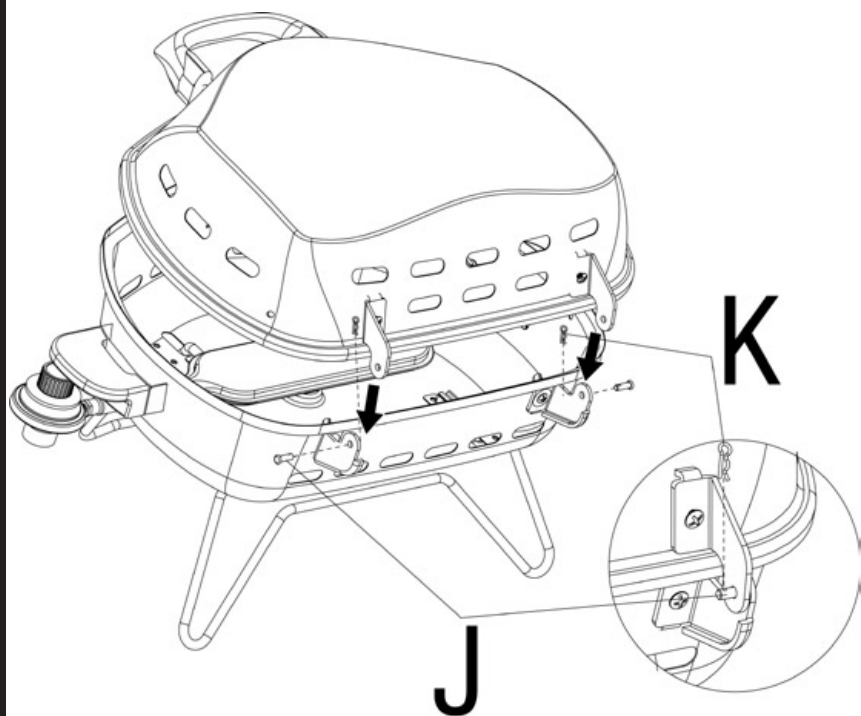
**Step 6 Attach burner, heat reflecting plate and regulator**

- A. Place heat reflector plate into bottom bowl.
- B. Slide burner tube into opening on right side of bottom bowl.
- C. Attach burner and heat reflecting plate to bottom bowl using large screw (B).
- D. Screw regulator clockwise onto burner stem.



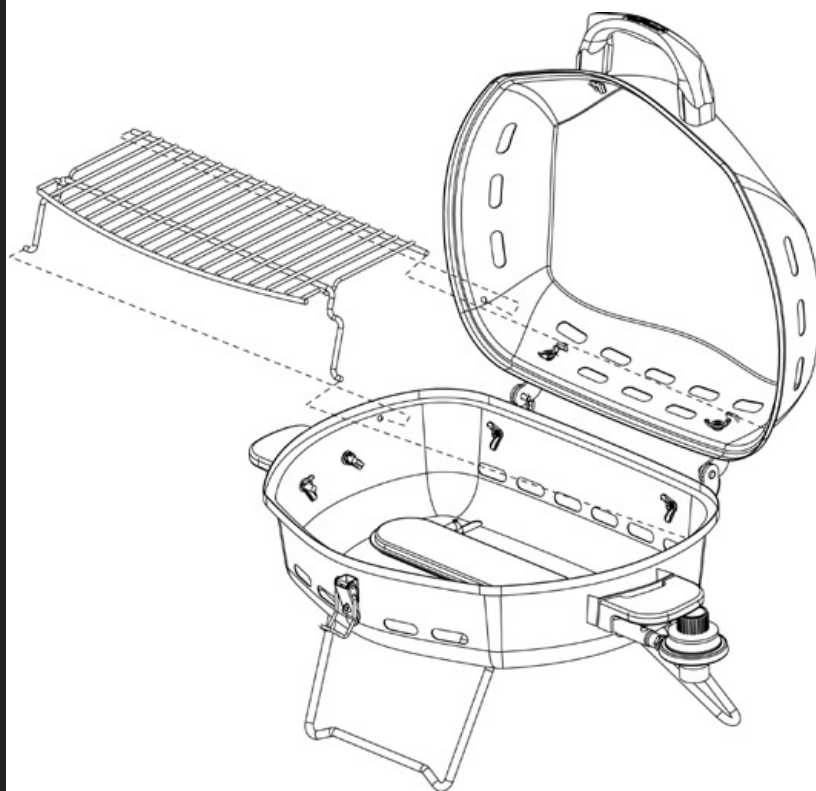
**Step 7 Attach lid**

- A. Insert the top hinges into the bottom hinges.
- B. Secure using 2 sets of pins (J) and cotter pins (K).
- C. Tighten hinge screws on top and bottom bowl.



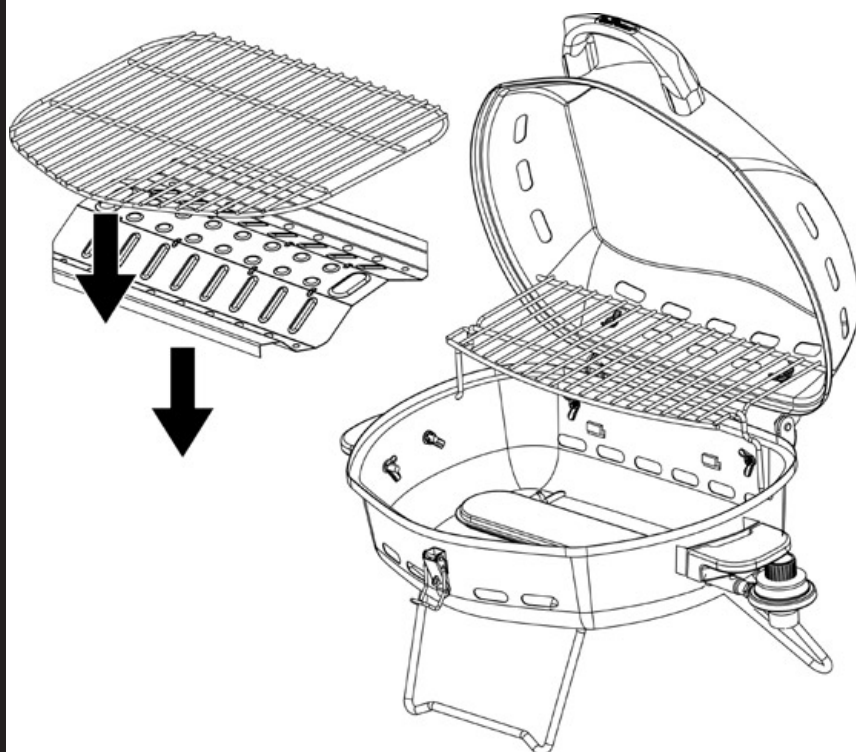
**Step 8 Insert warming rack**

- A. Slide warming rack into holes in lid and bottom bowl.
- Note:* Look for corresponding holes on side of lid. Insert short wire ends into lid holes, one side at a time. Position warming rack legs into slots on grill body sides.
- B. Cut zip tie on warming rack.



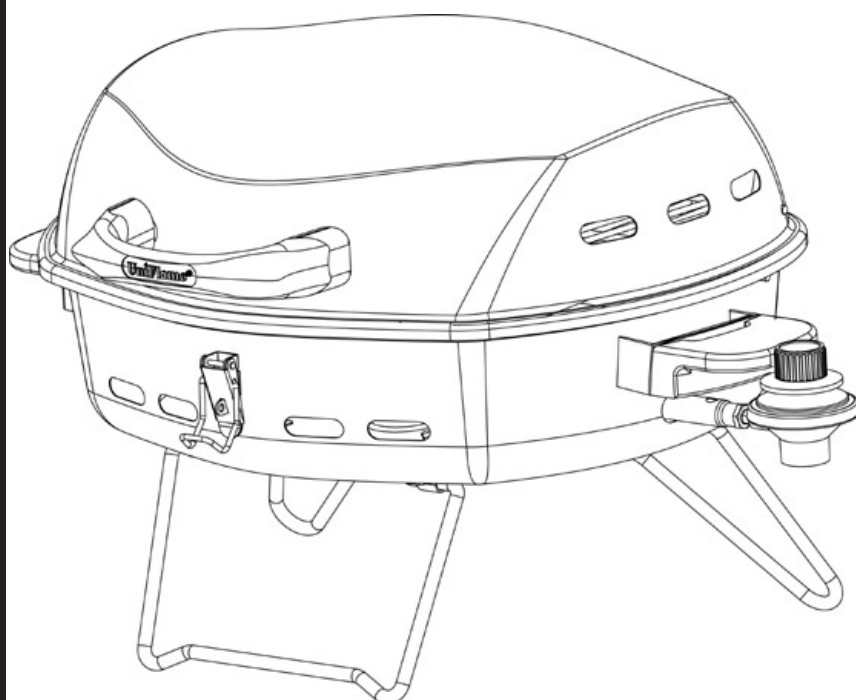
**Step 9 Insert heat plate and cooking grid**

- A. Insert heat plate.
- B. Insert cooking.



**Step 10 Completed**

Congratulations your assembly is now complete. Read Operating Instructions before proceeding.



## Operating Instructions

This grill is designed to operate with a (DOT 39 Cylinder) one pound 7-3/8" high disposable / 16.4 oz. propane gas tank. **DO NOT ATTEMPT TO REFILL ANY ONE POUND (16.4 oz.) PROPANE GAS TANKS!**

### Connecting Gas Tank

Lubricate the threads of the regulator valve with petroleum jelly, insert the gas tank into the regulator valve and hand-tighten firmly. Test for leaks

### Checking for Leaks

#### Burner Connection

Make sure the control valve is securely fastened to the burner.

If your unit was assembled for you, visually check the connection between the burner pipe and control valve. Make sure the burner pipe fits over the control valve.

**WARNING: Failure to inspect this connection or follow these instructions could cause a fire or an explosion which can cause death, serious bodily injury, or damage to property.**

If the burner pipe does not rest flush to the control valve, please contact 1.800.762.1142 for assistance.

#### Regulator / 1# LP Gas Tank Connection

Make 2-3 oz. of leak solution by mixing one part liquid dishwashing soap with three parts water.

Make sure control knob is off.

Spoon several drops of solution, or use squirt bottle, at the LP gas tank to regulator connection.

Inspect the solution at the connection, looking for bubbles. If NO bubbles appear, the connections are secure. If bubbles appear, you have a leak.

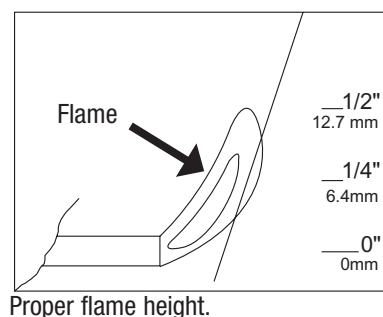
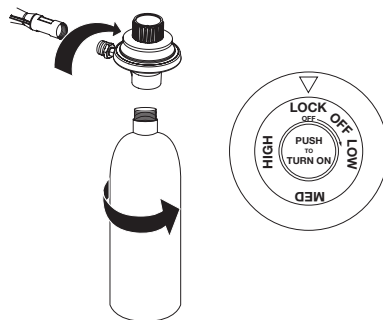
Loosen and retighten this connection, making sure the connection is secure.

Retest with solution. If you continue to see bubbles after several attempts, disconnect propane source and contact 1.800.762.1142 for assistance.

### Lighting

1. Open lid. **Attempting to light the burner with the lid closed may cause an explosion!**
2. Make sure there are no obstructions of airflow to the gas unit. Spiders and insects can nest within and clog the burner / venturi tube at the orifice. **A clogged burner tube can lead to a fire beneath the appliance.**
3. Control knob must be in the "Lock Off" position.
4. Turn the control knob to "HIGH"
5. Press the ignitor button repeatedly to light burner.
6. If ignition does not occur in 5 seconds, turn burner control knob OFF, wait 5 minutes and repeat lighting procedure.
7. If ignitor does not light burner, use a match to light burner manually. Access the burner through the hole in bottom bowl as indicated.
8. After lighting, observe the burner flame. Make sure all burner ports are lit and flame height matches illustration.

**CAUTION: If burner flame goes out during operation, immediately turn the gas "OFF" and open lid to let the gas clear for about 5 minutes before re-lighting.**



### Turning Off

Turn control knob to the "Lock Off" position.

### Initial Use

Before cooking on this grill for the first time, operate the grill for about 15 minutes with the lid closed and the gas turned on "HIGH." This will "heat clean" the internal parts and dissipate odor from the manufacturing processes.

### Cooking

1. Light burner per lighting instructions.
2. Set burner to desired temperature
3. Place food on grid.
4. With lid open or closed, cook until desired internal temperatures are achieved.

### Tips For Better Cook Outs and Longer Product Life

1. Spray or coat cooking surfaces with vegetable oil before cooking to avoid sticking.
2. Place vegetables or delicate foods into aluminum foil pouches.
3. Use a quality grill brush after each event to keep cooking surfaces clean and rust free.
4. A one pound tank will provide approximately 2 hours of cooking time with control on "HIGH".

### Cleaning and Care

#### Caution

1. All cleaning and maintenance should be done when grill is cool and with the fuel supply disconnected.
2. DO NOT clean any grill part in a self cleaning oven. The extreme heat will damage the finish.

#### Notices

1. Abrasive cleaners will damage this product.
2. Never use oven cleaner to clean any part of grill.
3. Do not clean any grill part in a self cleaning oven. The extreme heat will damage the finish.

#### Cleaning Surfaces

1. Wipe surfaces clean with mild dishwashing detergent or baking soda.
2. For stubborn surfaces use a citrus based degreaser and a nylon scrubbing brush.
3. Rinse clean with water.

#### Cleaning Burner

1. Turn gas off at the control knob and LP gas tank.
2. Remove cooking grates and heat plate.
3. Remove burner by removing the fasteners securing the burner to the grill bottom.
4. Lift burner up and away from gas valve orifice.
5. Disconnect wire from spark electrode.
6. Clean inlet (venturi) of burner with small bottle brush or compressed air.
7. Remove all food residue and dirt on burner surface.
8. Clean any clogged ports with a stiff wire (such as an opened paper clip)
9. Inspect burner for any damage (cracks or holes). If damage is found, replace with new burner.
10. Reinstall burner, check to insure that gas valve orifices are correctly positioned inside burner inlet (venturi). Also check position of spark electrode.

## Product Registration

Please register your product immediately at [www.BlueRhino.com](http://www.BlueRhino.com) or call 1.800.762.1142.

## Limited Warranty

Blue Rhino Global Sourcing, LLC ("Vendor") warrants to the original retail purchaser of this grill, and to no other person, that if this grill is assembled and operated in accordance with the printed instructions accompanying it, then for a period of one (1) year from the date of purchase, all parts in such grill shall be free from defects in material and workmanship. Vendor may require reasonable proof of your date of purchase from an authorized retailer or distributor. Therefore, you should retain your sales slip or invoice. This Limited Warranty shall be limited to the repair or replacement of parts, which prove defective under normal use and service and which Vendor shall determine in its reasonable discretion upon examination to be defective. Before returning any parts, you should contact Vendor's Customer Service Department using the contact information listed below. If Vendor confirms, after examination, a defect covered by this Limited Warranty in any returned part, and if Vendor approves the claim, Vendor will replace such defective part without charge. If you return defective parts, transportation charges must be prepaid by you. Vendor will return replacement parts to the original retail purchaser, freight or postage prepaid.

This Limited Warranty does not cover any failures or operating difficulties due to accident, abuse, misuse, alteration, misapplication, improper installation or improper maintenance or service by you or any third party, or failure to perform normal and routine maintenance on the grill, as set out in this owner's manual. In addition, the Limited Warranty does not cover damage to the finish, such as scratches, dents, discoloration, rust or other weather damage, after purchase.

This Limited Warranty is in lieu of all other express warranties. Vendor disclaims all warranties for products that are purchased from sellers other than authorized retailers or distributors. AFTER THE PERIOD OF THE ONE (1)-YEAR EXPRESS WARRANTY, VENDOR DISCLAIMS ANY AND ALL IMPLIED WARRANTIES, INCLUDING WITHOUT LIMITATION THE IMPLIED WARRANTIES OF MERCHANTABILITY AND FITNESS FOR A PARTICULAR PURPOSE. FURTHER, VENDOR SHALL HAVE NO LIABILITY WHATSOEVER TO PURCHASER OR ANY THIRD PARTY FOR ANY SPECIAL, INDIRECT, PUNITIVE, INCIDENTAL, OR CONSEQUENTIAL DAMAGES. Vendor assumes no responsibility for any defects caused by third parties. This Limited Warranty gives the purchaser specific legal rights; a purchaser may have other rights depending upon where he or she lives. Some jurisdictions do not allow the exclusion or limitation of special, incidental or consequential damages, or limitations on how long a warranty lasts, so the above exclusion and limitations may not apply to you.

Vendor does not authorize any person or company to assume for it any other obligation or liability in connection with the sale, installation, use, removal, return, or replacement of its equipment, and no such representations are binding on Vendor.

Blue Rhino Global Sourcing, LLC  
104 Cambridge Plaza Drive  
Winston-Salem, North Carolina 27104 USA  
(800) 762-1142  
24 Hour Fax: (336) 659-6743  
[CustomerService@BlueRhino.com](mailto:CustomerService@BlueRhino.com)



**Troubleshooting**

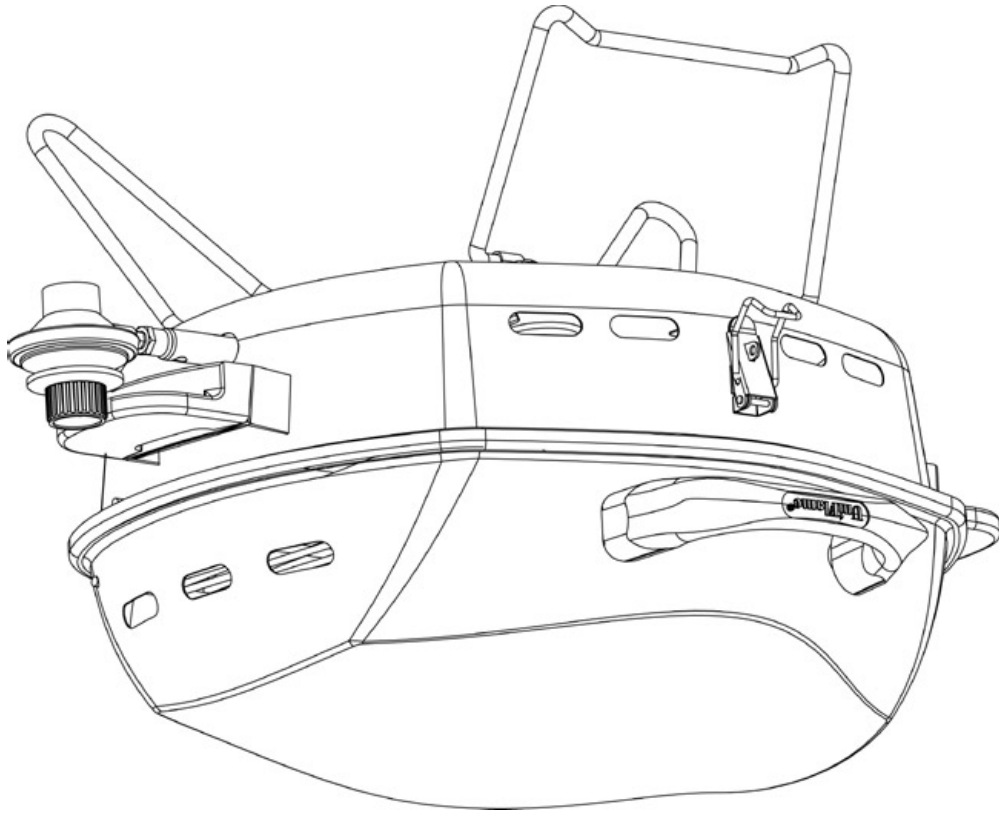
<b>Problem</b>	<b>Possible Cause</b>	<b>Prevention/Cure</b>
<b>Burner will not light with match</b>	No gas flow.	Check if LP cylinder is empty.
	Obstruction of gas flow.	Clear burner tubes.
	Spider webs or insect nest in venturi.	Clean venturi.
	Burner ports clogged or blocked.	Clean burner ports.
<b>Irregular flame pattern, flame does not run the full length of burner.</b>	Burner ports are clogged or blocked.	Clean burner ports.
<b>Flame is yellow or orange</b>	New burner may have residual manufacturing oils.	Burn grill for 15 minutes with the lid closed.
	Spider webs or insect nest in venturi.	Clean venturi.
	Food residue, grease or seasoning salt on burner.	Clean burner.
<b>Flame blow out</b>	High or gusting winds.	Turn front of grill to face wind or increase flame height.
	Low on LP Gas.	Replace LP cylinder.
<b>Flare-up</b>	Grease buildup.	Clean grill.
	Excess fat in meat.	Trim fat from meat before grilling.
	Excessive cooking temperature.	Adjust (lower) temperature accordingly.
<b>Persistent grease fire.</b>	Grease trapped by food buildup around burner system.	Turn knobs to "LOCK OFF POSITION." Let fire burn out. Leave lid in closed position and let fire burn out. After grill cools, remove and clean all parts.
<b>Flashback (fire in burner tube(s))</b>	Burner and/or burner tube is blocked.	Clean burner and/or burner tube.
<b>Inside of lid is peeling-like paint peeling</b>	The lid is porcelain coated, not paint.	Baked on grease buildup has turned to carbon and is flaking off. Clean thoroughly.





## Parrilla de Gas Propano para Exteriores

Modelo n° 253402



### ADVERTENCIA

PARA SU SEGURIDAD:

Solamente Para Uso En Exteriores

(fuera de cualquier recinto)

1. Una instalación, ajuste, alteración, reparación o mantenimiento inadecuados puede causar lesiones o daños a la propiedad.

2. Lea atentamente las instrucciones de instalación, funcionamiento y mantenimiento del equipo antes de instalarlo, ponerlo en marcha o darle servicio.

3. El no seguir estas instrucciones puede ocasionar un incendio o una explosión, con sus consecuentes daños a la propiedad, lesiones personales y hasta accidentes fatales.

**Proposición 65 de California:**  
La combustión del propano crea productos químicos considerados por el Estado de California como causantes de cáncer, malformaciones congénitas u otros daños reproductivos.

Conserve estas instrucciones para futuras consultas. Si está montando esta unidad para otra persona, entéguele este manual para futuras consultas.



### Índice

- 2..... Salvaguardias importantes
- 3..... Diagrama de explosión y elementos de ferreteria
- 4..... Instrucciones de armado
- 6..... Instrucciones de operación
- 6..... Conectar la bomba de gas
- 6..... Comprobar si hay fugas
- 6..... Encendido de la parrilla
- 6..... Apagado de la parrilla
- 6..... Usar la parrilla por primera vez
- 6..... Cocción
- 6..... Sugerecias
- 6..... Limpieza y cuidado
- 7..... Registro del producto
- 7..... Garantía limitada
- 8..... Resolución de problemas

El uso e instalación de este producto ha de realizarse de acuerdo con los códigos locales. Si no existen códigos locales, use las normas siguientes: *Código Nacional para Gas y Combustibles, ANSI Z223.1/NFPA 54, CAN/CGA-B149.1, Código de Instalación de Propano y Gas Natural.*

Fabricado en China para:

Blue Rhino Global Sourcing, LLC  
104 Cambridge Plaza Drive, Winston-Salem, NC 27104 EE.UU.  
1.800.762.1142, www.bluerhino.com

© 2005 Blue Rhino Global Sourcing, LLC. Todos los derechos reservados.

UniFlame® es una marca registrada de Blue Rhino Global Sourcing, LLC. Todos los derechos reservados.



## Parrilla de gas propano para exteriores, modelo n° 253402



### PELIGROS

1. Cierre la entrada de gas al aparato.
2. Apague cualquier llama activa.
3. Abra la tapa.
4. Si el olor persiste, manténgase alejado del aparato y llame inmediatamente a su proveedor de gas o al departamento de bomberos.

Si huele a gas -



### ADVERTENCIA PARA SU SEGURIDAD

1. No guarde las bombonas de gas propano líquido de repuesto en un radio inferior a 10 pies (3 metros) de este aparato.
2. No guarde o use gasolina u otros líquidos o vapores inflamables a menos de 25 pies (8 m) de esta unidad o de cualquier otro aparato.
3. Una bombona de propano líquido que no esté conectada para su uso no se debe almacenar cerca de este o cualquier otro aparato.

1. Esta parrilla es para ser usada al aire libre únicamente y no debe usarse en un edificio, garaje o cualquier otra área cerrada.
2. Esta parrilla de gas NO ha sido diseñada para uso comercial.
3. No es una parrilla de sobremesa. Por lo tanto, no coloque esta parrilla sobre ningún tipo de superficie de sobremesa.
4. Esta parrilla utiliza únicamente gas de propano líquido (PL) como combustible. El convertir o tratar de convertir esta parrilla de gas propano líquido para ser usada con gas natural es peligroso e invalida la garantía de la unidad.
5. Características del propano líquido (PL):
  - a. El propano es inflamable y resulta peligroso si se manipula inadecuadamente. Antes de utilizar cualquier producto que emplee propano líquido, estudie detenidamente sus características.
  - b. El propano es un gas explosivo bajo presión, más denso que el aire y se asienta en pozos en zonas bajas.
  - c. En su estado natural, el propano no tiene ningún olor. Para su seguridad, se añade una esencia odorífera que huele a col podrida.
  - d. El contacto directo con el propano líquido puede causar quemaduras frias en la piel.
6. Se requiere una bombona de gas propano para hacer funcionar este aparato. Únicamente bombonas marcadas "Propano" pueden usarse en esta unidad.
7. La bombona o el tanque de gas de propano líquido (PL) debe estar fabricada y comercializada según las *Especificaciones para bombonas de gas PL* del Departamento de Transporte (DOT) de EE.UU. o del Estándar nacional de Canadá, *CAN/CSA-B339 sobre bombonas, esteras y tubos para el transporte de mercancías peligrosas; y la comisión*.
8. Verifique que la bombona de gas cuenta con mecanismo de extracción de vapor.
9. Las bombonas de propano líquido abolladas u oxidadas pueden ser peligrosas y deberían ser revisadas por su proveedor de gas PL antes de utilizarlas.
10. No deje caer la bombona de gas propano líquido ni la maneje bruscamente.
11. Las bombonas deben almacenarse en exteriores, en un lugar al aire libre siempre fuera del alcance de los niños y nunca en un garaje, edificio o espacio cerrado. Nunca almacene bombonas, botellas o tanques de gas en un lugar en el que la temperatura supere los 125°F (51,5 °C).
12. No intente nunca acoplar esta parrilla al sistema de propano de una caravana, de una casa móvil o de su propia casa.
13. El uso de bebidas alcohólicas, medicamentos o drogas de farmacia puede afectar la habilidad del usuario para armar debidamente u operar en forma segura esta aparato.
14. No use nunca carbón de leña, líquido para encendedor, rocas de lava, gasolina, queroseno o alcohol con este aparato.
15. Todas las conexiones de gas de su parrilla han sido verificadas en fábrica en cuanto a fugas de gas. Sin embargo, puede la integridad de todas las conexiones ya que el movimiento en transporte puede aflojar algunas de ellas.
16. Verifique que no haya fugas aún si el aparato ha sido armado por otra persona.
17. No opere la unidad si hay una fuga de gas. Las fugas de gas pueden provocar un fuego o una explosión.
18. Antes de operar esta unidad, debe observar todos los procedimientos para verificar que no hay fugas de gas. Para evitar cualquier riesgo de fuego o de explosión al comprobar si hay fugas:
  - a. Compruebe siempre si hay fugas antes de encender la parrilla, cada vez que la bombona de gas está conectada.
  - b. No fume. No use o permita fuentes de ignición en el área al comprobar si hay fugas.
  - c. Siempre compruebe si hay fugas en exteriores donde hay una buena ventilación.
  - d. No use cerrillas o fósforos, encendedores o una llama para comprobar si hay fugas.
  - e. No use la parrilla hasta que todas las fugas hayan sido reparadas. Si no puede parar una fuga, desconecte la bombona de propano. Llame a un técnico o a su proveedor de propano local.
19. No utilice el equipo en una atmósfera explosiva. Mantenga la zona de la parrilla libre de materiales combustibles, gasolina y cualquier otro vapor o líquido inflamable.

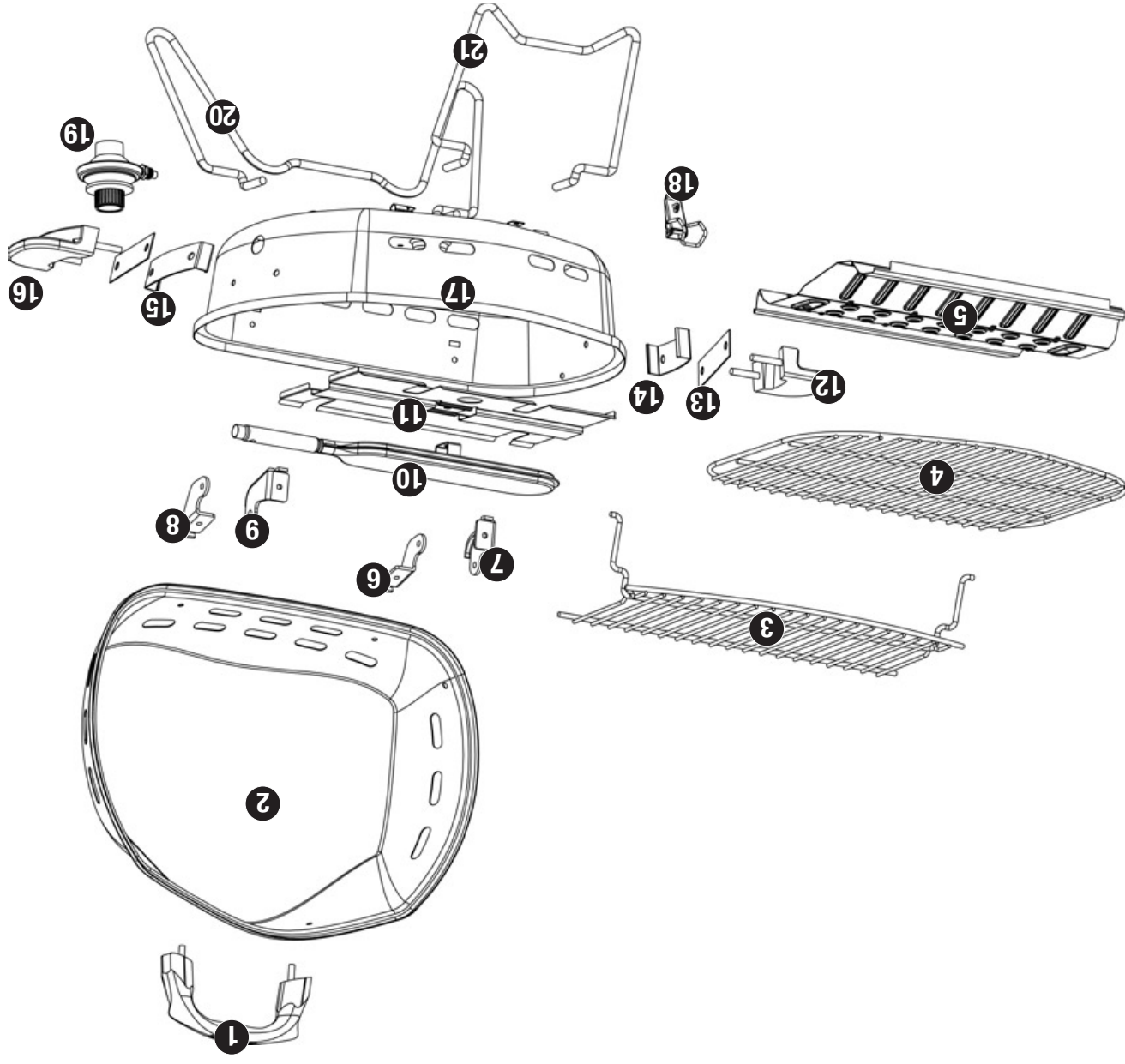
20. Mantenga todo material y superficies combustibles a por lo menos 53 cm (21 pulg.) de la parrilla en todo momento. NO use esta parrilla debajo de aleros o cerca de construcciones combustibles que no estén debidamente protegidas.
21. Es fundamental mantener limpio el compartimiento de la válvula de la parrilla, los quemadores y los conductos de aire circulante. Inspeccione la parrilla antes de cada uso.
22. No altere la parrilla de ninguna forma.
23. No utilice la parrilla a menos que esté **COMPLETAMENTE** montada y que todas las piezas estén bien fijadas y apretadas.
24. Esta parrilla debe limpiarse y verificarse completamente de manera regular.
25. Utilice únicamente el regulador incluido. El conjunto de manguera de repuesto será el especificado por el fabricante.
26. Use únicamente piezas autorizadas de fábrica de Blue Rhino Global Sourcing, LLC. El uso de cualquier pieza no autorizada de fábrica puede ser peligroso. Su uso invalida su garantía. Llame al 1.800.762.1142
27. No encienda esta unidad sin haber leído las instrucciones de "Encendido" que se encuentran en este manual.
28. No toque las piezas de metal de la parrilla hasta que no se haya enfriado completamente (alrededor de 45 minutos) para evitar quemaduras, a menos que usted tenga puestos elementos de protección tales como guantes o almohadilla para las ollas, guantes de barbacoa, etc.
29. No instale o utilice en embarcaciones o vehículos de recreo.
30. Cuando este cocinado, tenga fácilmente accesibles los elementos para extinguir un incendio . En caso de que la sustancia de freír se incendie no trate de extinguir el fuego con agua. Use un extinguidor de material químico seco tipo BC o ahogue el fuego con tierra, arena o soda de hornear.
31. No utilice la parrilla si hace mucho viento.
32. Nunca se apoye sobre la parrilla cuando la está encendiendo.
33. No deje una parrilla encendida sin vigilancia, especialmente, mantenga los niños y las mascotas lejos de la parrilla en todo momento.
34. No intente mover la parrilla mientras esté encendida. Deje que la parrilla se enfríe antes de moverla o guardarla.
35. El almacenamiento del aparato en un espacio cerrado sólo está permitido si la bombona está desconectada, desmontada del aparato y guardada al aire libre.
36. Abra siempre la tapa de la parrilla en forma cuidadosa y lentamente, pues el calor y el vapor que hay dentro de la parrilla pueden ocasionarle severas quemaduras.
37. No trate de desconectar el regulador de gas de la bombona, o cualquier otro accesorio de la línea de gas, mientras esté usando la parrilla.
38. Desconecte la bombona de gas propano cuando no la esté utilizando.
39. Coloque siempre la parrilla sobre una superficie firme, nivelada y no combustible. Una superficie de asfalto o de pavimento puede que no sea adecuada para este propósito.
40. NO use la parrilla sobre plataformas o patios de madera.
41. Mantenga todos los cables eléctricos lejos de una parrilla caliente.
42. No use la parrilla de gas para cocinar adentro o calentar el ambiente.
43. Los gases TÓXICOS de monóxido de carbono pueden acumularse y provocar la asfixia.
44. Después de un periodo de almacenamiento o de falta de uso de la unidad, verifique que no haya fugas u obstrucciones en el quemador e inspeccione la manguera para detectar zonas gastadas o cortes en ella.
45. El no abrir la tapa cuando se están encendiendo los quemadores de la parrilla, o el no esperar cinco minutos para permitir que el gas salga de la parrilla cuando el gas no se ha encendido, puede provocar una llamada explosiva.
46. Si la parrilla no se está usando, el gas debe cerrarse en la bombona de suministro.
47. Nunca opere la parrilla antes de haber instalado la placa de calentamiento.
48. Use siempre un termómetro para carne para asegurar que la comida ha quedado cocida a la temperatura apropiada.
49. Nunca guarde una bombona adicional de propano debajo o cerca de esta parrilla.
50. El no seguir exactamente las instrucciones dadas arriba puede producir daños a la propiedad, lesiones serias y hasta fatales.

Si necesita ayuda llame al 1.800.762.1142. No vuelva al lugar de compra.

**Diagrama de explosión**

- 1. Manija de la tapa ..... 55-14-447
- 2. Tapa ..... 55-14-444
- 3. Rejilla de calentamiento ..... 55-14-451
- 4. Parrilla de cocción ..... 55-14-448
- 5. Placa de calentamiento ..... 55-14-450
- 6. Placa de calentamiento ..... 55-14-454
- 7. Bisagra inferior izquierda ..... 55-14-456
- 8. Bisagra superior derecha ..... 55-14-455
- 9. Bisagra inferior derecha ..... 55-14-457
- 10. Quemador ..... 55-14-449
- 11. Placa reflectora de calor ..... 55-14-452
- 12. Manija del lado izquierdo ..... 55-14-461
- 13. Arandela resistente al calor para manija (2) ..... 55-15-333
- 14. Soporte de la manija del lado izquierdo ..... 55-14-458
- 15. Soporte de la manija del lado derecho ..... 55-14-459
- 16. Manija del lado derecho ..... 55-14-460
- 17. Cuenco de abajo ..... 55-14-445
- 18. Cierre ..... 55-14-453
- 19. Regulador ..... 55-14-446
- 20. Pata trasera\* ..... 55-15-331
- 21. Pata delantera\* ..... 55-15-332

\*Viene ensamblado



**Elementos de ferretería**

- A. Tornillo pequeño  
Tornillo galvanizado de cabeza abombada, Phillips, M5x12 ..... 4
- B. Tornillo grande  
Tornillo galvanizado de cabeza abombada, Phillips, M6x10 ..... 1
- C. Tuercas de mariposa pequeña  
Tuercas de mariposa galvanizadas M5 ..... 4
- D. Tuercas de mariposa grande  
Tuercas de mariposa galvanizadas M6 ..... 6
- E. Arandela pequeña  
Arandela galvanizada - ø5 ..... 4
- F. Arandela grande  
Arandela galvanizada - ø6,4 ..... 6

**Herramientas incluidas**

- L. Destornillador\*\* ..... 1

\*\*Esta pieza no se ve a tamaño real.

- K. Pasadores de horquilla\*\* ..... 2

- J. Pernos\*\* ..... 2

- I. Arandela de cierre grande  
Arandela de cierre galvanizada - ø6,4 ..... 6

- H. Arandela de cierre pequeña  
Arandela de cierre galvanizada - ø5 ..... 4

- G. Arandela resistente al calor  
Arandela resistente al calor - ø6 ..... 6

## Instrucciones de Armado

**NO DEVUELVA EL PRODUCTO AL LUGAR DE COMPRA**

Si necesita ayuda llame, sin cargo, al **1.800.762.1142**. Por favor tenga a mano su manual y el número de serie de la unidad, para referencia.

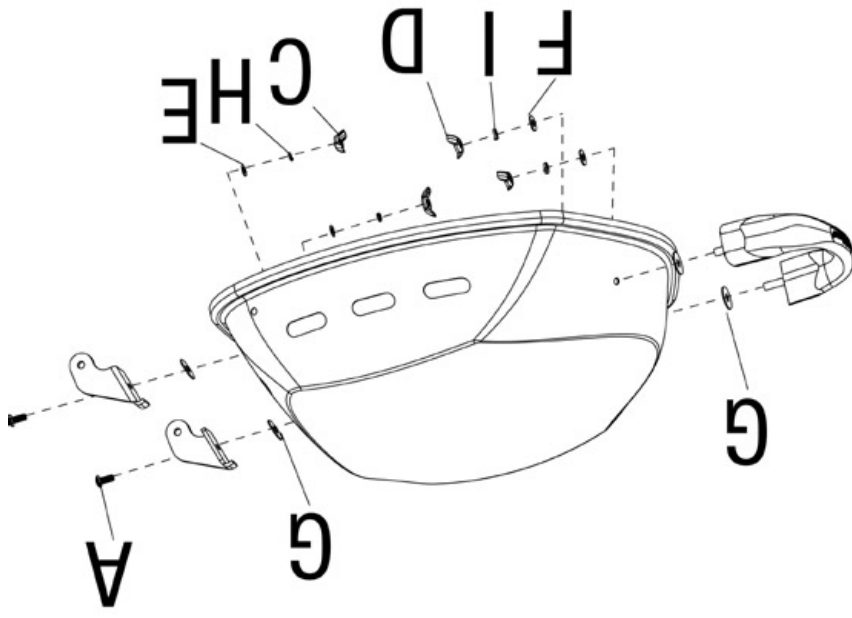
Para facilitar el armado:

- Evite la pérdida de componentes pequeños o elementos de ferretería, armando el producto en un lugar de piso plano sin aberturas ni hendijas.
- Despeje un área suficientemente grande para disponer todos los componentes y los elementos de ferretería.
- Cuando sea del caso, apriete a mano, en un principio, las conexiones de ferretería. Una vez que ha terminado el paso, apriete completamente todos los elementos de ferretería.
- Siga todos los pasos en el orden indicado para armar debidamente esta unidad.

### Paso 1

#### Arme la tapa

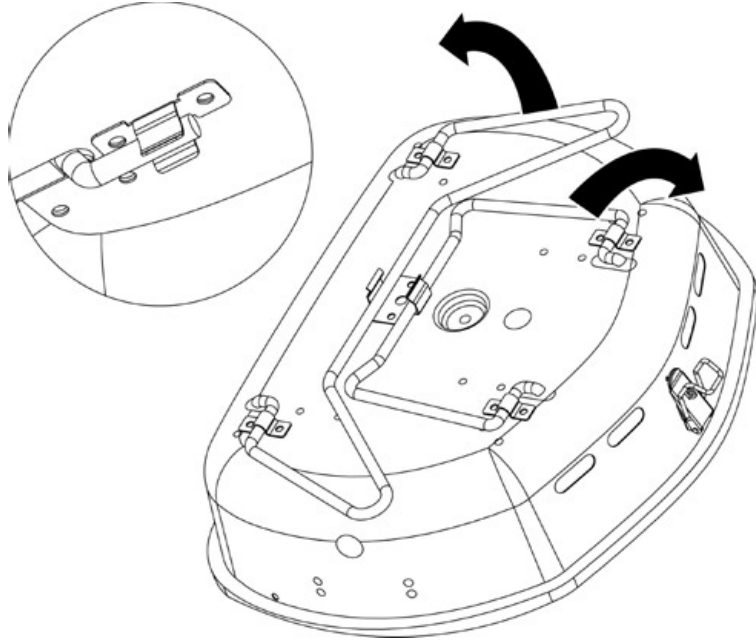
- A. Fije la manija de la tapa en la tapa, usando 2 arandelas resistentes al calor (G), 2 arandelas grandes (F), 2 arandelas de cierre grandes (I) y 2 tuercas de mariposa grandes (D).
- B. Fije la bisagra superior izquierda en la tapa, usando un tornillo pequeño (A), arandela resistente al calor (G), arandela pequeña (E), arandela de cierre pequeña (H) y tuerca de mariposa pequeña (C).
- C. Fije la bisagra superior derecha en la tapa, usando un tornillo pequeño (A), arandela resistente al calor (G), arandela pequeña (E), arandela de cierre pequeña (H) y tuerca de mariposa pequeña (C).



### Paso 2

#### Desdoble las patas

Desdoble las patas, que se encuentran debajo de la unidad, y girélas hasta que encajen en su lugar.

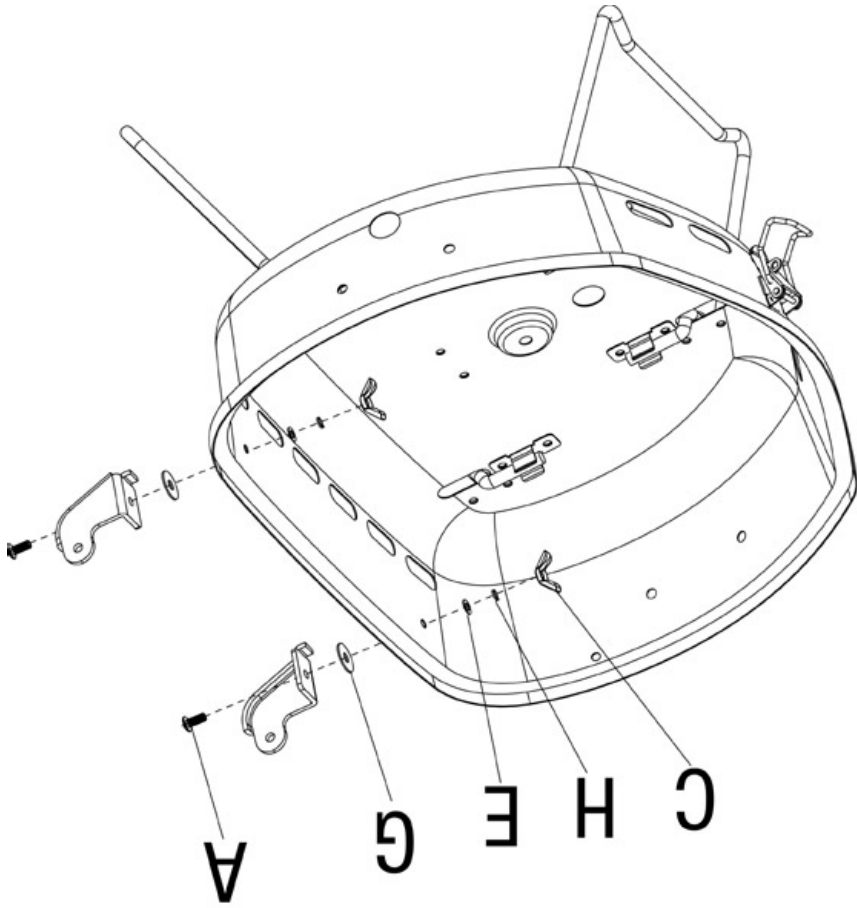


### Paso 3

#### Instale las bisagras interiores

- A. Fije la bisagra interior izquierda en el cuenco de abajo usando un tornillo pequeño (A), arandela resistente al calor (G), arandela pequeña (E), arandela de cierre pequeña (H) y tuerca de mariposa pequeña (C).
- B. Fije la bisagra interior derecha en el cuenco de abajo usando un tornillo pequeño (A), arandela resistente al calor (G), arandela pequeña (E), arandela de cierre pequeña (H) y tuerca de mariposa pequeña (C).

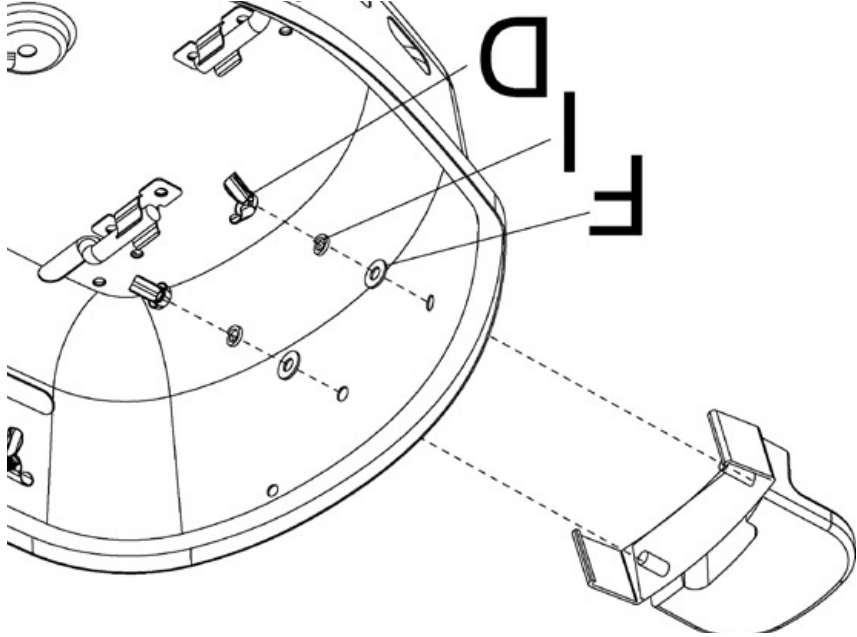
*Nota:* Apriete las bisagras en su lugar únicamente con los dedos.



### Paso 4

#### Instale la manija del lado izquierdo

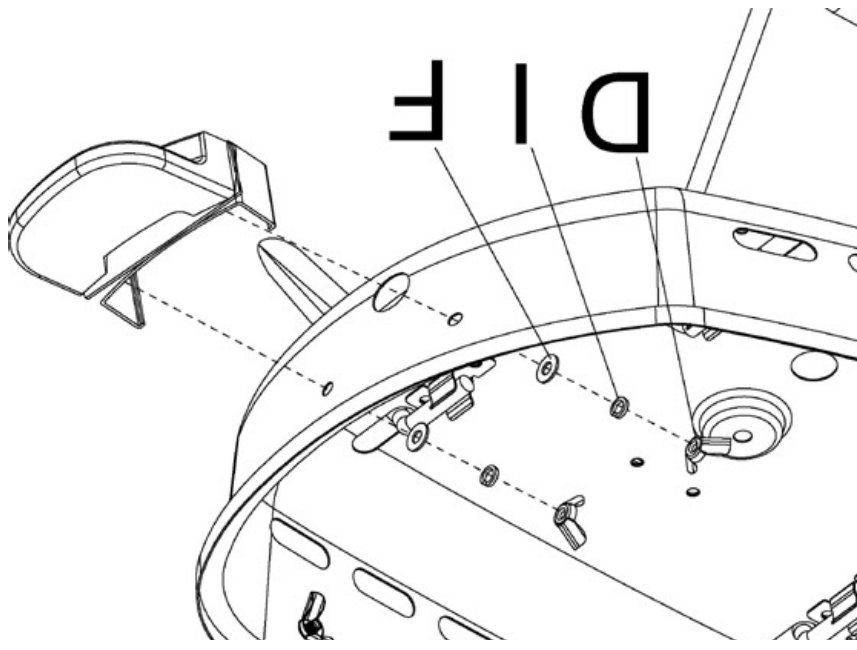
- Fije la manija del lado izquierdo, la placa resistente al calor y el soporte de la manija del lado izquierdo en el cuenco de abajo, usando 2 arandelas grandes (F), 2 arandelas de cierre grandes (I) y 2 tuercas de mariposa grandes (D).



### Paso 5

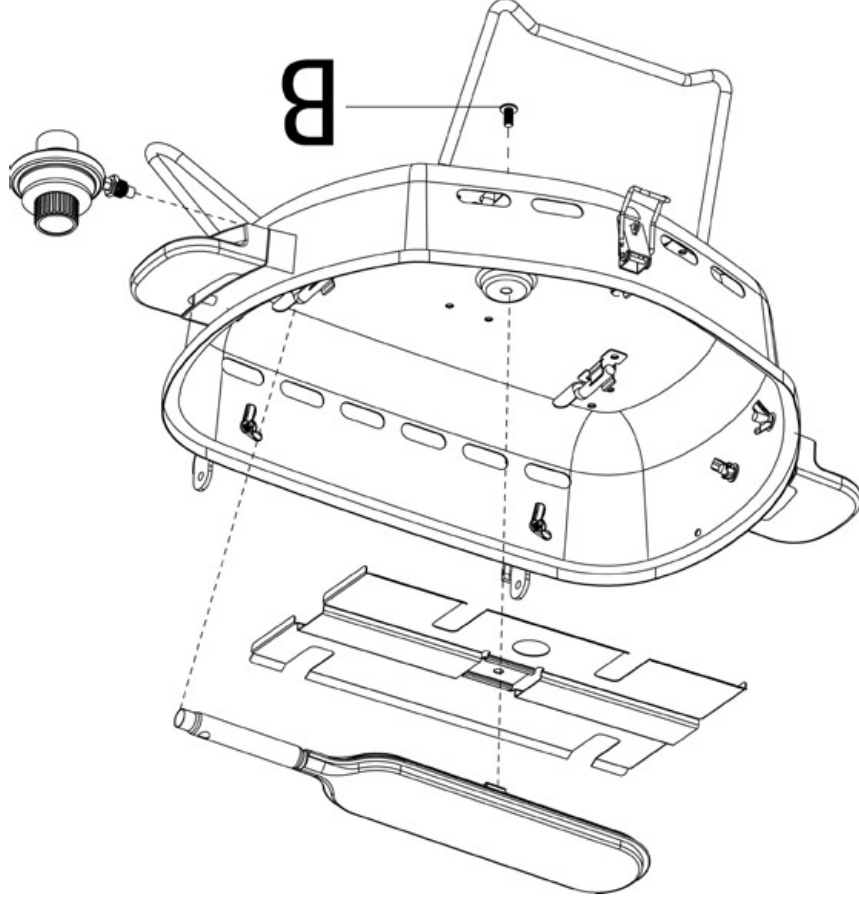
#### Instale la manija del lado derecho

- Fije la manija del lado derecho, la placa resistente al calor y el soporte de la manija del lado derecho en el cuenco de abajo, usando 2 arandelas grandes (F), 2 arandelas de cierre grandes (I) y 2 tuercas de mariposa grandes (D).



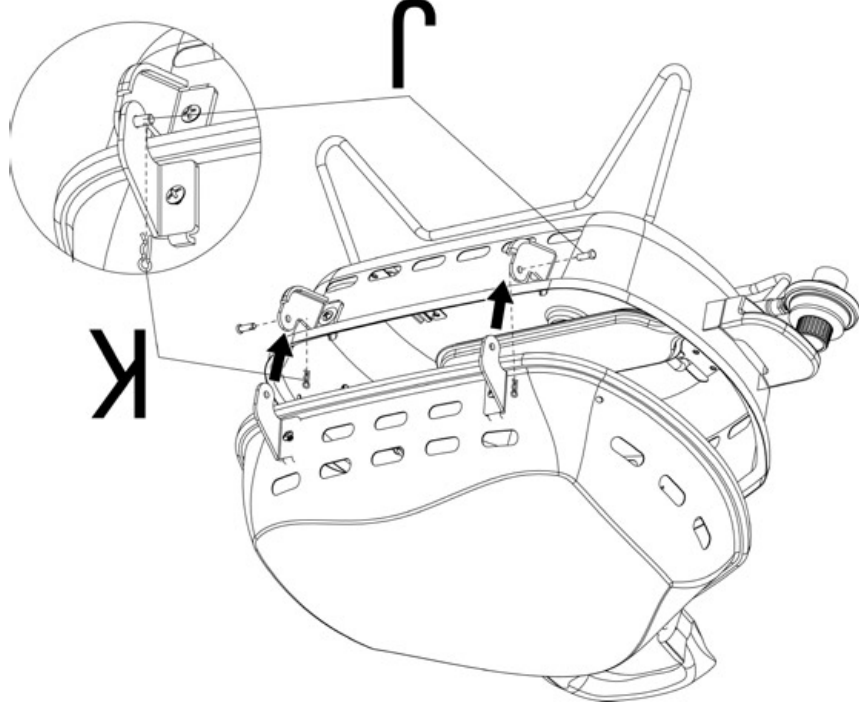
## Paso 6

- Instale el quemador, la placa reflectora de calor y el regulador**
- A. Coloque la placa reflectora de calor en cuenco de abajo.  
 B. Pase el tubo del quemador por la abertura del lado derecho del cuenco de abajo.  
 C. Fije el quemador y la placa reflectora de calor al cuenco de abajo, usando un tornillo grande (B).  
 D. Atornille el regulador, atornillándolo en la dirección de las manecillas del reloj en el vastago del quemador.



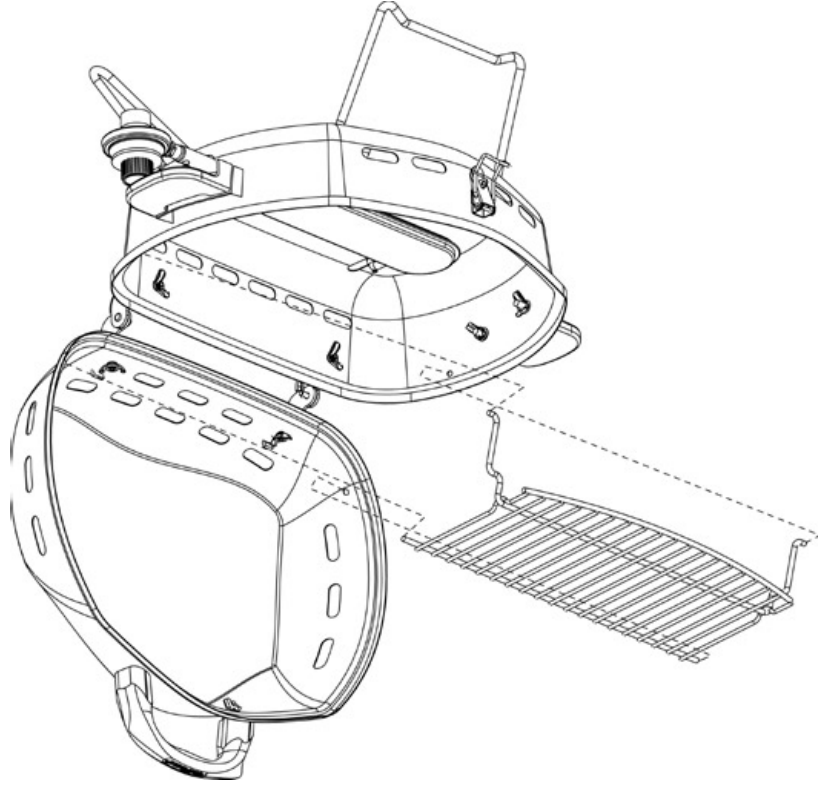
## Paso 7

- Instale la tapa**
- A. Inserte las bisagras superiores en las bisagras inferiores.  
 B. Asegúrelas usando 2 pernos (J), y 2 pasadores de horquilla (K).  
 C. Apriete los tornillos de las bisagras en la tapa y en el cuenco de abajo.



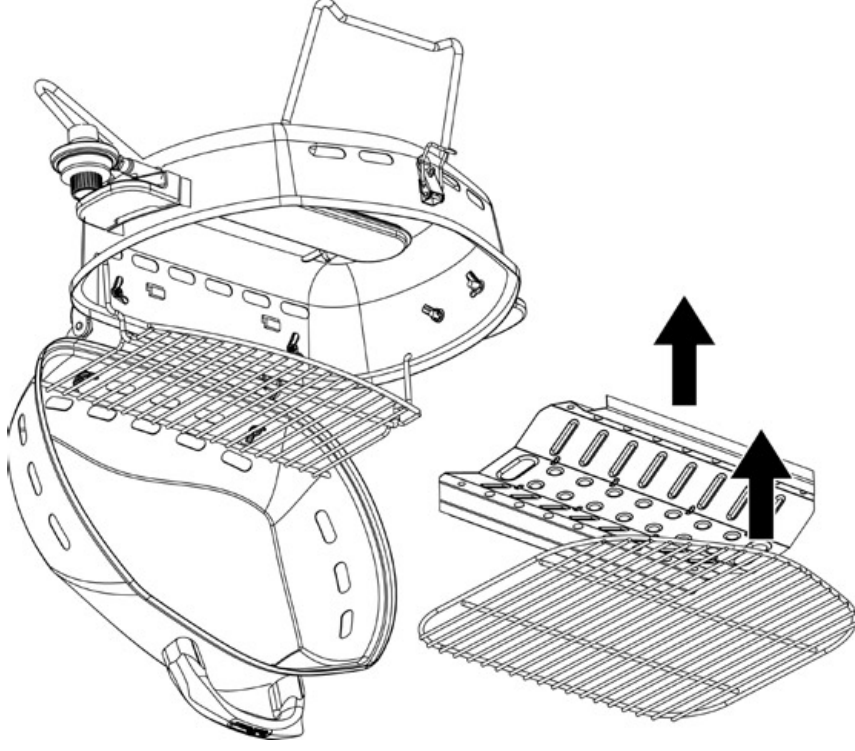
## Paso 8

- Coloque la rejilla de calentamiento**
- A. Instale la rejilla de calentamiento en los agujeros en la tapa y en el cuenco de abajo.  
 Nota: Identifique los agujeros que corresponden a la rejilla de calentamiento en el costado de la tapa. Introduzca los extremos de los alambres cortos en los agujeros de la tapa, uno por uno. Inserte las patas de la rejilla en los agujeros en ambos costados del cuenco de fondo.  
 B. Corte la amarra en la rejilla de calentamiento.



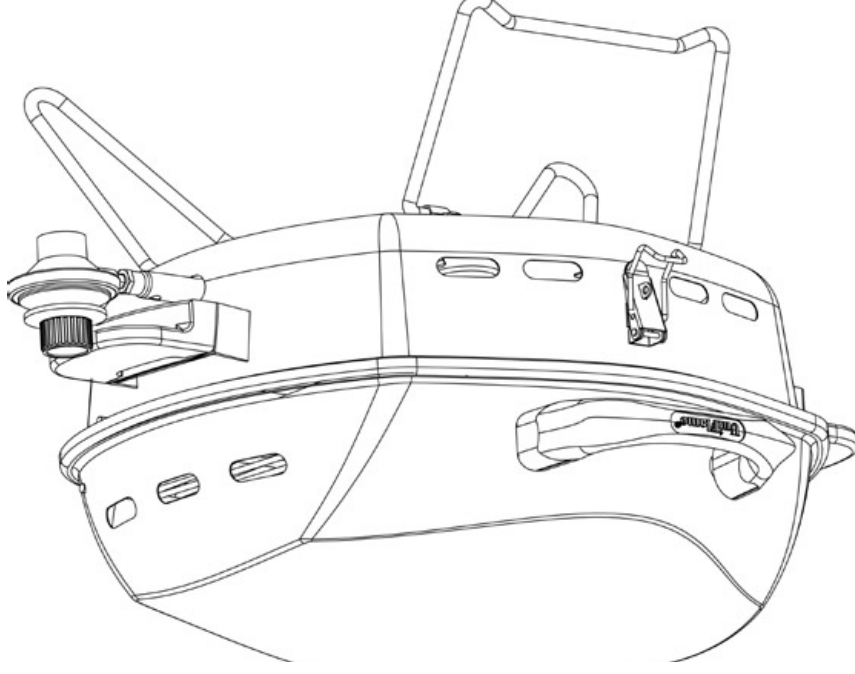
## Paso 9

- Coloque la placa de calentamiento y la parrilla de cocción**
- A. Introduzca la placa de calentamiento.  
 B. Coloque la parrilla de cocción.



## Paso 10

- Trabajo Terminado**
- Felicitaciones, el armado ha terminado. Lea las instrucciones de operación antes de seguir adelante.





## Instrucciones de Operación

Esta parrilla ha sido diseñada para operar con una garrata/bombona DOT 39, de una libra (450 g), 7 -3/8" (19 cm) de altura, desechable, de 16,4 onzas (484 ml) de propano. **NO TRATE DE LLENAR TANQUES O BOMBONAS DE PROPANO DE UNA LIBRA (16.4 onzas/484 ml).**

### Conectar la Bombona de Gas:

Lubrique la rosca de la válvula del regulador con vaselina de petróleo, introduzca la bombona de gas en la válvula del regulador y apriete con la mano la conexión firmemente. Verifique que no han quedado fugas de gas.

### Comprobar si Hay Fugas Conexiones del quemador

Asegúrese de conectar adecuadamente la válvula de control al quemador.

Si alguien armó la unidad para usted, verifique visualmente la conexión entre el tubo del quemador y la válvula de control. Asegúrese de que el tubo del quemador encaja sobre la válvula de control.

### ADVERTENCIA: El no inspeccionar esta conexión o seguir

**debidamente estas instrucciones puede causar incendio o explosión ocasionando muerte, graves lesiones o daños a la propiedad.**

Si el tubo del quemador no queda a ras con el orificio, por favor llame al 1.800.762.1142.

### Conexión del Regulador y de la Bombona de 1 libra (450 g)

Prepare unos 80 ml de solución para comprobar si hay fugas mezclando una parte de jabón líquido para lavar platos y tres partes de agua. Asegúrese de que la perilla de control está en la posición "OFF" (apagado). Vierta varias gotas de la solución con una cuchara o una botella de exprimir en la conexión del regulador y de la garrata.

Revise la solución en la conexión en busca de burbujas. Si NO aparecen burbujas, la conexión es segura. Si aparecen burbujas, hay una fuga.

Afije la conexión y vuelva a apretarla dejando segura la conexión.

Haga otra prueba con la solución. Si sigue observado burbujas después de varios intentos, desconecte la fuente de propano y llame al número de teléfono 1.800.762.1142 para solicitar asistencia técnica.

### Encendido

1. Abra la tapa. **¡Si intenta encender el quemador con la tapa cerrada puede provocar una explosión!**

2. Asegúrese de que no hay nada que obstruya el flujo de aire en la unidad de gas. Arañas y otros insectos pueden formar sus nidos dentro y obstruir los orificios del quemador/tubo de venturi.

**provocar un incendio debajo del aparato.**

3. La perilla tiene que estar en la posición "Lock Off" (apagado).

4. Gire la perilla de control para situarla en la posición "HIGH" (alto).

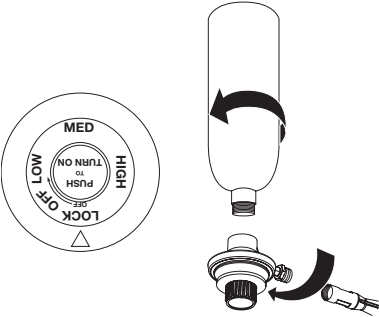
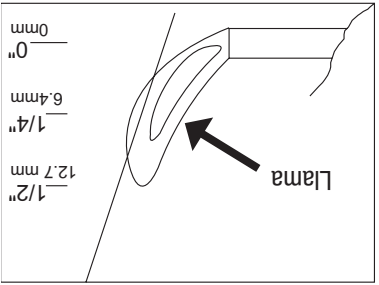
5. Oprima la perilla del elemento de ignición varias veces para encender el quemador.

6. Si el quemador no se enciende en 5 segundos, gire la perilla de control del quemador a "OFF" (apagado), espere 5 minutos y repita el procedimiento de encendido.

7. En caso de que el elemento de ignición no encienda el quemador, use una cerilla encendida para encender los quemadores manualmente. Gane acceso a los quemadores por el agujero del fondo del cuenco como se ilustra.

8. Después de encender el quemador observe su llama y asegúrese de que todos los orificios estén encendidos y que la altura de la llama corresponda a la del diagrama.

**PRECAUCION: Si la llama del quemador se apaga durante el funcionamiento, cierre el gas ("OFF") inmediatamente y abra la tapa durante 5 minutos para dejar que la zona quede despejada de gas antes de volver a encenderlo.**



### Apagado:

Gire la perilla de control a la posición "Lock Off" (apagado).

### Usar la Parrilla por Primera Vez

Antes de cocinar en la parrilla por primera vez, póngala en funcionamiento durante 15 minutos con la tapa cerrada y el regulador de gas en la posición "HIGH" (alto). De esta manera se limpiarán mediante el calor las piezas internas y se eliminará el olor del proceso de fabricación y la pintura de acabado.

### Cocción

1. Encienda el quemado siguiendo la instrucciones de encendido.

2. Gradúe el quemador a la temperatura deseada.

3. Coloque los alimentos sobre la parrilla.

4. Con la tapa abierta o cerrada, deje cocer los alimentos hasta que hayan alcanzado la temperatura interna deseada.

### Unidad

1. Rocíe o cubra las superficies de cocción con aceite vegetal antes de usarlas, para evitar que el alimento se adhiera a ellas.

2. Ponga legumbres o alimentos delicados en envoltura de papel de aluminio.

3. Use un cepillo de calidad para parrilla después de haber usado la unidad, para mantener las superficies limpias y libres de oxidación.

4. Una bombona de una libra (450 g) proporciona aproximadamente 2 horas de tiempo de cocción, con el control graduado en "HIGH" (alto).

## Limpeza y Cuidado

### Precaución

1. Todas las operaciones de limpieza y mantenimiento deben realizarse con la parrilla fría y con el suministro de combustible de la bombona de propano líquido cerrado.

2. NO limpie ninguna pieza de esta parrilla en un horno de limpieza automática. El calor extremo dañará el terminado.

### Avisos

1. No use productos de limpieza abrasivos pues dañarán este aparato.

2. No utilice nunca productos limpiadores para limpiar cualquier pieza de la parrilla. El calor extremo dañará el terminado.

### Limpeza de las Superficies

1. Limpie las superficies con un detergente suave de lavado de platos o con soda de hornear.

2. En superficies de limpieza difícil, use un desengrasador a base de cítricos y un cepillo de nylon.

3. Enjuague las superficies con agua limpia.

### Limpeza del Quemador

1. Cierre el gas en la perilla de control y en la bombona de propano líquido.

2. Remueva las parrillas de cocción y la placa de calentamiento.

3. Remueva el quemador, quitando los tres ganchos que aseguran el quemador al fondo de la parrilla.

4. Saque el quemador, levantándolo y alejándolo del orificio de la válvula de gas.

5. Desconecte el alambre del electrodo que produce la chispa.

6. Limpie la entrada (venturi) del quemador usando un cepillo pequeño de limpiar botellas o un chorro de aire comprimido.

7. Remueva todo residuo de comida o desperdicio que haya quedado en la superficie del quemador.

8. Limpie puertos que se encuentren obstruidos, usando un alambre firme (tal como un sujetapapeles abierto).

9. Inspeccione el quemador para verificar si tiene daños (grietas o perforaciones). Si encuentra daños, sustitúyalo con un nuevo quemador.

10. Vuelva a instalar el quemador, verificando que los orificios de la válvula de gas quedan colocados correctamente dentro de la entrada del quemador (venturi). También verifique la posición del electrodo de chispa.

**Si necesita ayuda llame al 1.800.762.1142. No vuelva al lugar de compra.**

## Registro del Producto

Sírvase registrar su unidad inmediatamente visitando nuestro sitio de internet [www.BlueRhino.com](http://www.BlueRhino.com) o llamando al 1-800-762-1142.

## Garantía Limitada

Blue Rhino Global Sourcing, LLC ("el Fabricante") garantiza al comprador original, al detal, de esta parrilla, y a ninguna otra persona, que si la unidad se arma y opera de acuerdo con las

instrucciones impresas que la acompañan, y por un período de un (1) año a partir de la fecha de compra, todas las piezas de la parrilla estarán libres de defectos en material y mano de obra. El Fabricante podrá requerir prueba razonable de la fecha de compra, a ser emitida por vendedor al detal o representante autorizados. Por lo tanto, usted debe conservar el recibo de venta o la factura. Esta Garantía Limitada estará limitada a la reparación o reemplazo de las piezas que resulten defectuosas en condiciones de servicio y uso normal y las que un examen indique, a satisfacción razonable del Fabricante, que están defectuosas. Antes de devolver cualquier pieza, comuníquese con el Departamento de Servicio al Cliente (Customer Service Department) del Fabricante, usando la información de contacto que se lista más adelante. Si el Fabricante, después de examinar la pieza devuelta, confirma que existe un defecto cubierto por esta Garantía Limitada y aprueba el reclamo, el Fabricante reemplazará tales partes sin costo alguno. Si usted devuelve las partes defectuosas, los costos de transporte deberán ser prepagados por usted. El Fabricante devolverá las partes, al comprador original al detal, con costo de transporte o envío prepagados. Esta Garantía Limitada no cubre fallas o dificultades de operación debidas a accidente, abuso, mal uso, alteración, empleo en usos inapropiados, instalación defectuosa o mantenimiento o servicio inapropiado, dado por usted o por tercera persona, o falla en la realización de mantenimiento normal y rutinario de la unidad, como se prescribe en este manual del usuario. Además, la Garantía Limitada no cubre daños al terminado de la unidad, tales como rasguños, abolladuras, descoloridos, oxidaciones y otros daños causados por la intemperie, después de la compra de la unidad.

Esta Garantía Limitada reemplaza cualquier otra garantía. El Fabricante no asume ninguna responsabilidad por garantías vendidas por quienes no sean distribuidores o

vendedores al detal autorizados. UNA VEZ TERMINADO EL PERIODO DE UN (1) AÑO DE GARANTÍA EXPRESA, EL FABRICANTE NO SE HACE RESPONSABLE POR NINGUNA O CUALQUIER GARANTÍA IMPLÍCITA INCURTIDAS, LAS GARANTÍAS IMPLÍCITAS DE COMERCIALIZAD Y ADAPTABILIDAD PARA UN PROPOSITO PARTICULAR. ADEMÁS, EL FABRICANTE NO ASUME NINGUNA RESPONSABILIDAD, ANTE EL COMPRADOR O ANTE CUALQUIER TERCERA PERSONA, POR DAÑOS ESPECIALES, INDIRECTOS, PUNITIVOS, INCIDENTALES O CONSECUENCIALES. El Fabricante, además, no asume responsabilidad por defectos causados por terceras personas. Esta Garantía Limitada le da al comprador derechos legales específicos y el comprador puede tener otros derechos según el lugar donde el comprador o la compradora residan. Ciertas jurisdicciones no permiten limitaciones o exclusiones en cuanto a daños especiales, incidentales o consecuenciales ni en cuanto a la duración de una garantía, de manera que la exclusión y las limitaciones descritas arriba pueden no ser aplicables a usted.

El Fabricante no autoriza a ninguna persona o compañía para asumir por el Fabricante cualquier otra obligación o responsabilidad relacionada con la venta, instalación, uso, remoción, devolución o reemplazo de este equipo y cualquier representación de esta naturaleza no obliga al Fabricante.

Blue Rhino Global Sourcing, LLC  
104 Cambridge Plaza Drive  
Winston-Salem, North Carolina 27104 EE.UU.  
Teléfono (800) 762-1142  
Fax las 24 horas: (336) 659-6743  
CustomerService@BlueRhino.com



## Resolución de Problemas

Problema	Causa Posible	Prevención/Medida correctiva
El quemador no se enciende con una cerilla.	No hay flujo de gas.	Compruebe si la bomba de propano líquido está vacía.
	Obstrucción del flujo de gas.	Limpiar los tubos del quemador.
	Telarañas o nidos de insectos en el venturi.	Limpiar el tubo de venturi.
	Bocas del quemador atascadas u obstruidas.	Limpiar las bocas del quemador.
Falta de uniformidad en la llama, la llama no cubre toda la longitud del quemador.	Bocas del quemador atascadas u obstruidas.	Limpiar las bocas del quemador.
	Bocas del quemador atascadas u obstruidas.	Limpiar las bocas del quemador.
La llama es de color amarillo o naranja.	Puede que el nuevo quemador tenga aceites residuales del proceso de fabricación.	Haga funcionar la parrilla durante 15 minutos con la tapa cerrada.
	Telarañas o nidos de insectos en el venturi.	Limpiar el venturi.
	Restos de alimentos, grasa o sal para condimentar en el quemador.	Limpiar el quemador.
La llama se apaga.	Vientos fuertes o racheados.	Gire el frente de la parrilla de cara al viento o aumente la altura de la llama.
	Nivel de gas del PL bajo.	Sustituya la bomba.
Fogonazo.	Formaciones de grasa.	Limpiar la parrilla.
	Carné con exceso de grasa.	Retire la grasa de la carne antes de ponerla en la parrilla.
	Si está utilizando una temperatura excesiva para cocinar.	Ajuste (baje) la temperatura según corresponda.
La grasa provoca un fuego persistente.	Grasa atascada por la acumulación de comida alrededor del sistema de quemadores.	Gire las perillas a la posición "LOCK OFF" (cerrado con cierre puesto). Deje la tapa cerrada y deje que el fuego se consuma. Una vez se haya enfriado la parrilla, quite y limpie todas las piezas.
Centelleos (hay fuego en el (los) tubo(s) del quemador).	El quemador y/o juegos de quemadores están bloqueados.	Limpiar el quemador y/o los tubos del quemador.
El interior de la tapa se está pelando; igual que cuando se pela la pintura.	La tapa está recubierta de porcelana, no pintada.	La acumulación de grasa se ha convertido en carbón y se está desmenuzando. Limpíela completamente.