

ENFORCER®

12VDC Plug-In Power Supplies

THREE MODELS TO CHOOSE FROM:

ST-1212-R0.3A - Regulated 300mA AC to DC Adapter

ST-1212-R0.5A - Regulated 500mA AC to DC Adapter

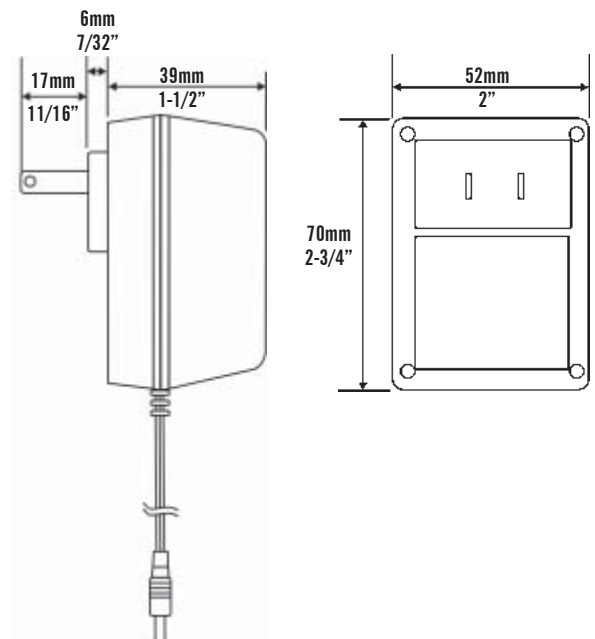
ST-1212-U0.5A - Unregulated 500mA AC to DC Adapter

FEATURES

- Use in a wide variety of applications, including CCTV, access control, and alarms -- with a wide range of SECO-LARM products.
- Direct plug-in type.
- 120VAC/60Hz input power.
- 12VDC output.
- UL and ULC approved.
- 6-foot cord with positive center coax plug (2.1 x 5.5 x 12mm).
- Size: 2³/₄" x 2" x 1¹/₂" (70 x 52 x 39mm).
- Case and cord are black.



DIMENSIONS



Plugs directly in to these 12VDC cameras - and many other products.

EV-1223B12 (B/W)

- Sharp chip and sensor.
- 400 TV lines / 0.08 lux. ● 1.6W.

Dome



EV-1224C12 (Color)

- Panasonic chip and sensor.
- 330 TV lines / 1.8 lux. ● 1.5W.

EV-1323B12 (B/W)

- Samsung chip 1/3" CCD image sensor
- 420 TV lines / 0.1 lux. ● 125mA

Bullet



EV-1324C12 (Color)

- Sharp chip, 1/4" CCD image sensor
- 380 TV lines / 1 lux. ● 125mA

The SECO-LARM policy is one of continual development and improvement. For that reason, SECO-LARM reserves the right to change prices and specifications without notice. SECO-LARM is not responsible for misprints.

For more information, contact

SECO-LARM® U.S.A., Inc.

16842 Millikan Ave.

Irvine, CA 92606

Tel: 1-800-662-0800 (Domestic U.S. & Canada)

Tel: 1-949-261-2999 (California & International)

Fax: 1-949-261-7326 Email: info@seco-larm.com

Copyright ©2003 SECO-LARM U.S.A., Inc.
PowerAdapter.pmd