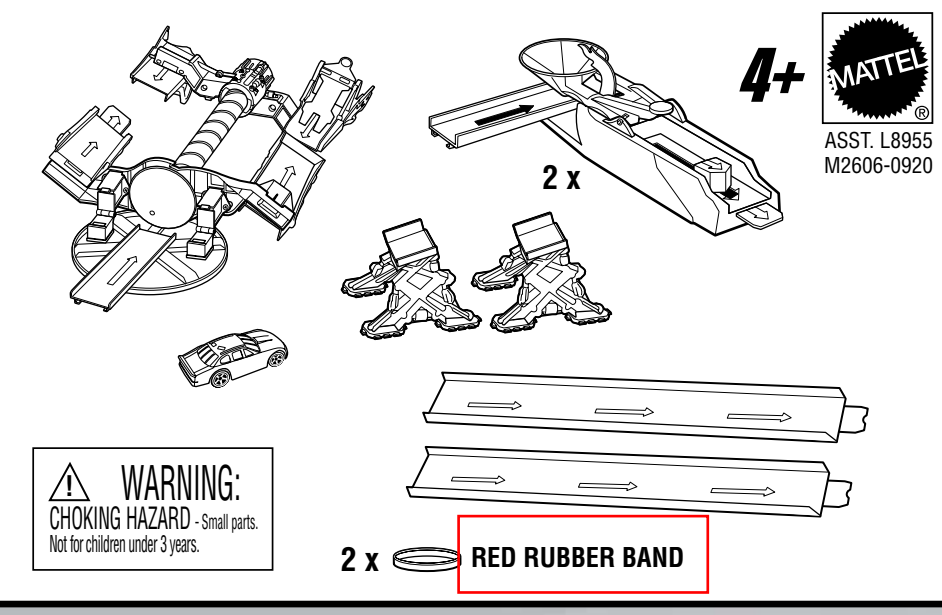


INSTRUCTIONS

Please keep these instructions for future reference as they contain important information.

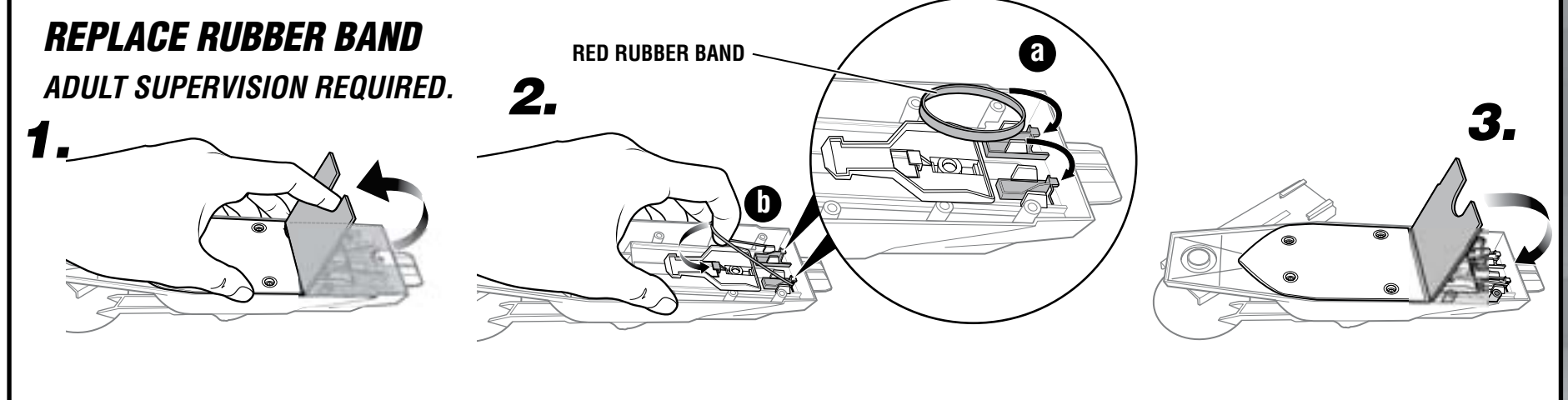
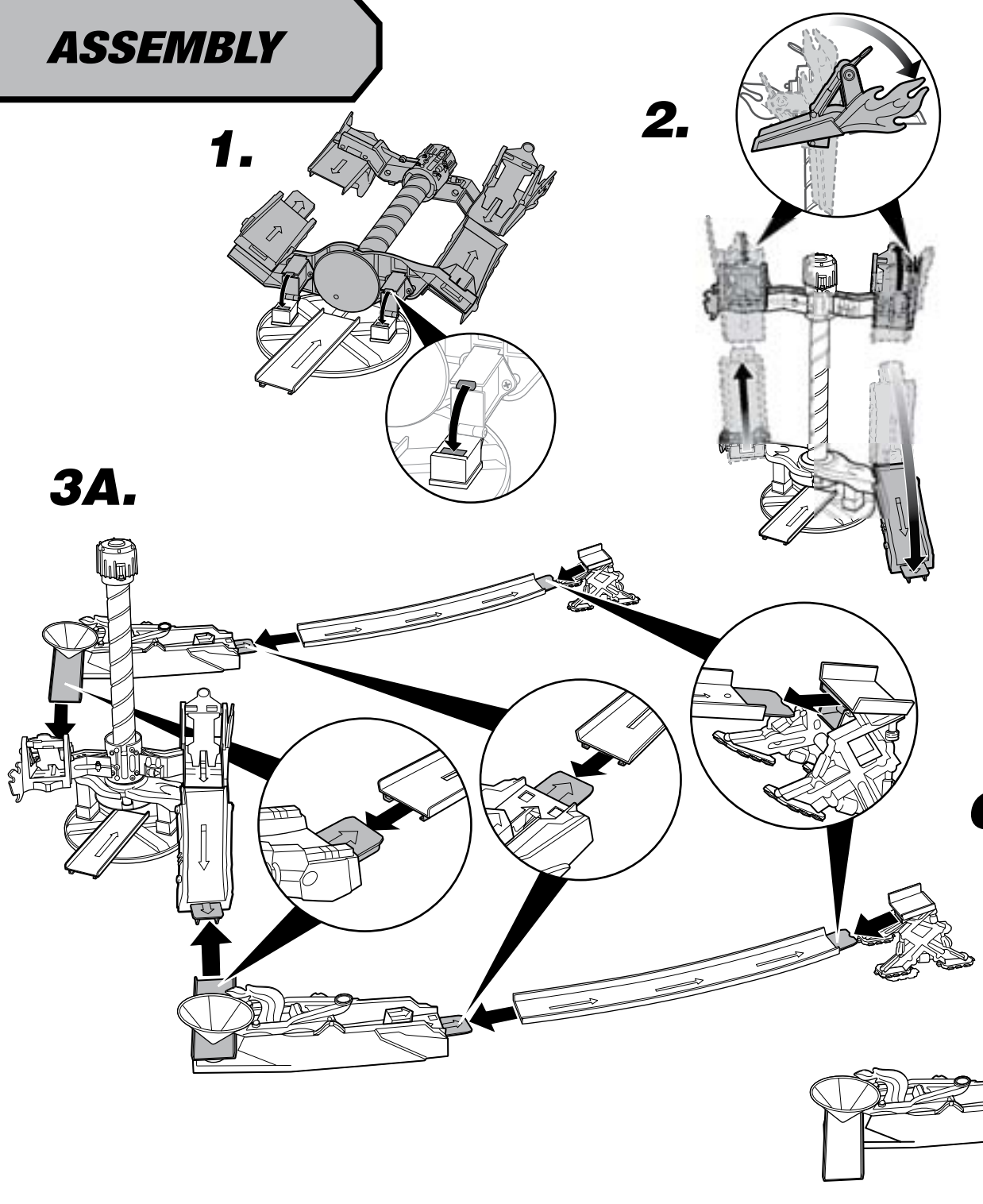
CONTENTS



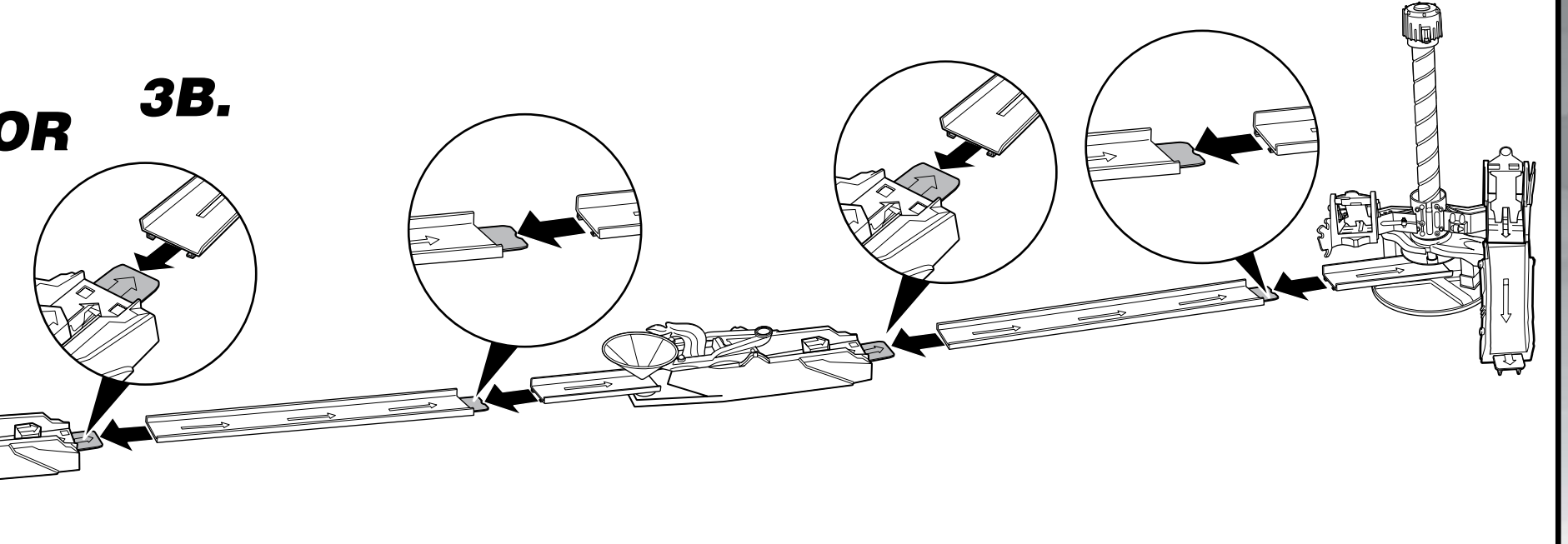
© 2008 Mattel, Inc. All Rights Reserved.

Mattel, Inc., 353 Continental Blvd., El Segundo, CA 90245 U.S.A. Consumer Relations 1 (800) 524-8697
 service.mattel.com • Mattel Canada Inc., Mississauga, Ontario L5R 3H2. You may call us free at 1-800-524-8697.
 • Mattel U.K. Ltd., Vanwall Business Park, Maidenhead SL6 4UB, Helpline 01628500303 • Mattel Australia Pty.
 Ltd., Richmond, Victoria, 3121 Consumer Advisory Service - 1300 135 312. • Mattel East Asia Ltd., Room 1106,
 South Tower, World Finance Centre, Harbour City, Tsimshatsui, HK, China. • Diimport & Diedarkan Oleh: Mattel
 SEA Ptd Ltd.(993532-P) Lot 13.5, 13th Floor, Menara Lien Hoe, Persiaran Tropicana Golf Country Resort, 47410
 P.J. Tel:03-78803817, Fax:03-78803867.

ASSEMBLY



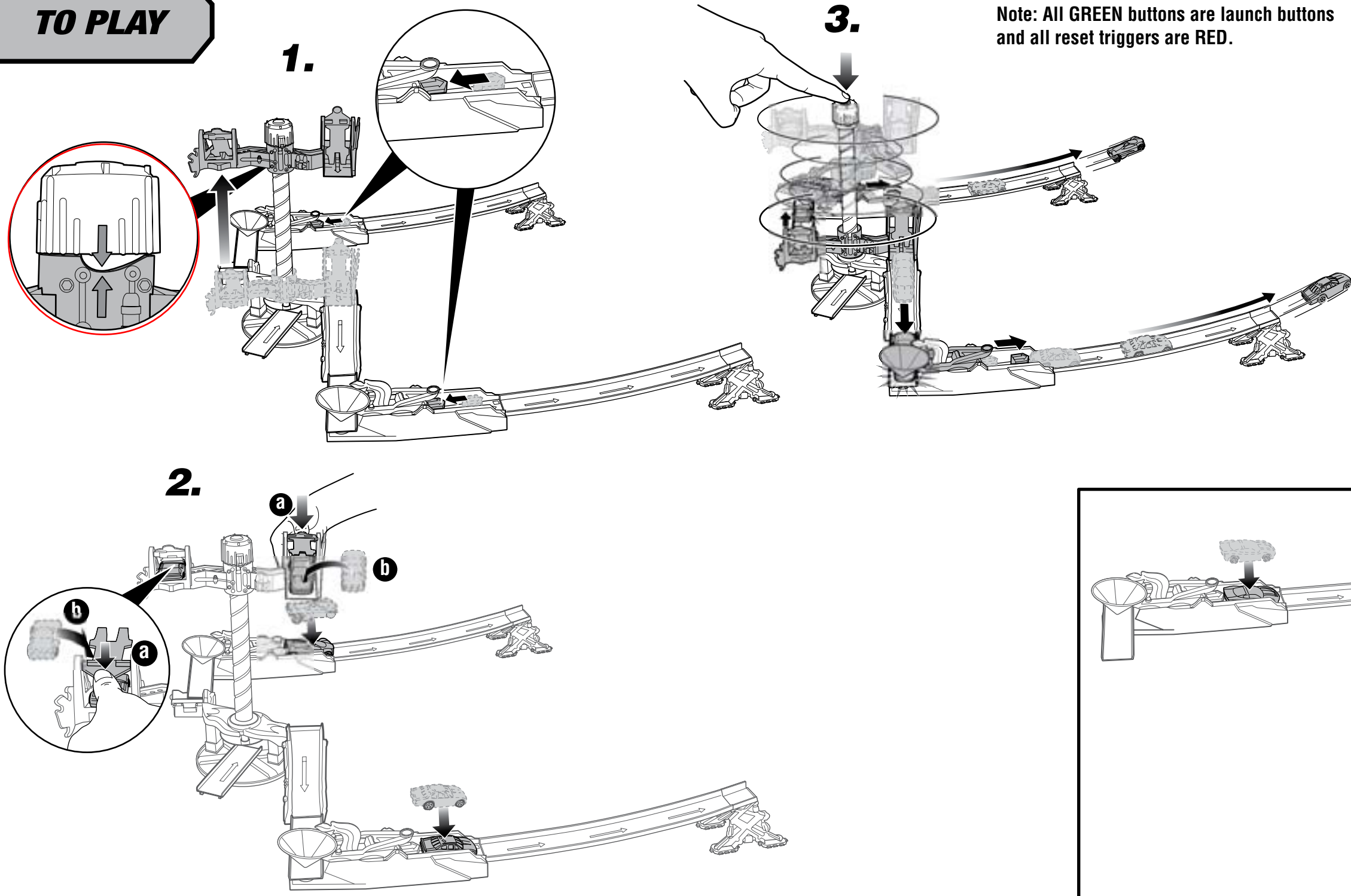
OR **3B.**



INSTRUCTION SHEET SPECIFICATIONS

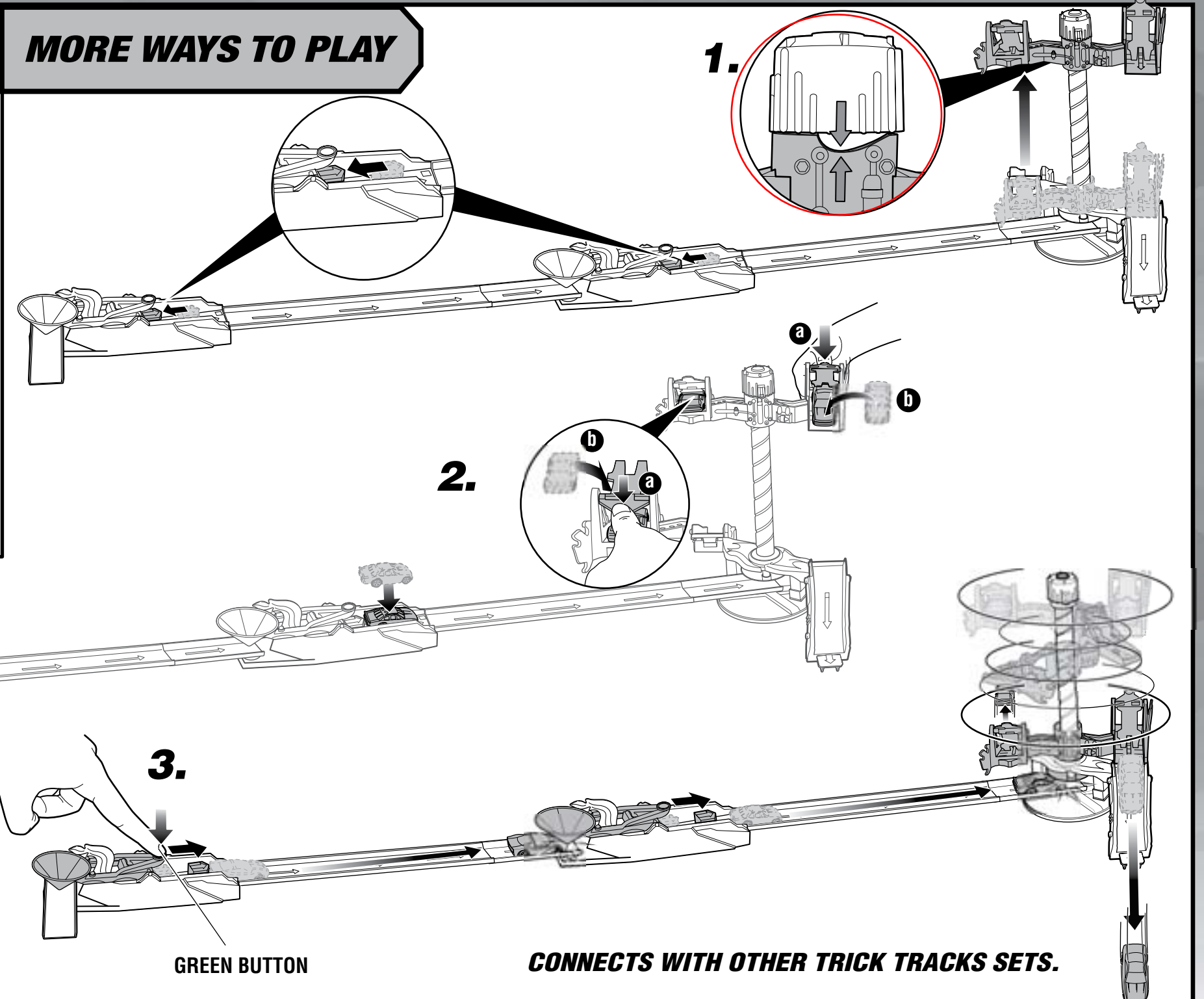
Toy No.:	M2606(ASST. L8955)
Part No.:	0920
Trim Size:	227W x 85.5H
Folded Size:	5.5"W x 8.5"H
Type of Fold:	accordion
# Colors:	1C + 1C
Colors:	Black
Paper Stock:	White Offset
Paper Weight:	80 lb.
EDM No.:	

TO PLAY



Note: All GREEN buttons are launch buttons and all reset triggers are RED.

MORE WAYS TO PLAY



GREEN BUTTON

CONNECTS WITH OTHER TRICK TRACKS SETS.