

FOR ORDERING INFORMATION REFER TO PARTS PRICE LIST

CABINET PARTS

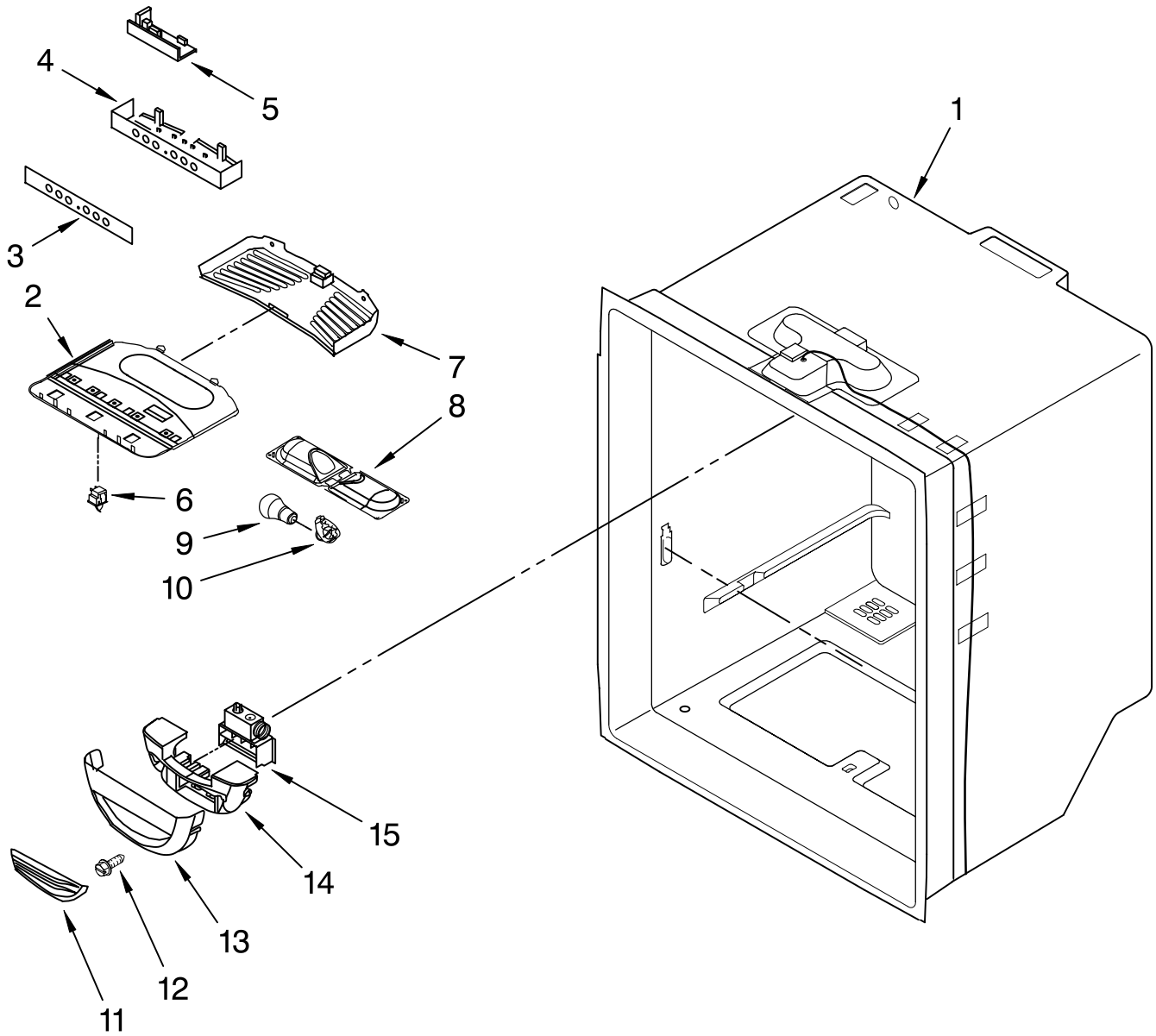
For Models: KBL519KTSS4, KBR519KTSS4
(Stainless-LH) (Stainless-RH)

Illus. No.	Part No.	DESCRIPTION
1		Literature Parts
	W10137649	Use & Care Guide
	W10183307	Energy Guide
	W10279329	Tech Sheet
2		Cabinet (Not A Serviceable Part)
3	12246607	Plug, Button
7	10351006	Pin, Center Hinge
9	12992602	Screw
11	12992201	Screw
12	12990521	Screw
13	12249902	Label, Fill Tube
14	12992403	Screw
15		Hinge, Center
	12607104ED	Black
16	W10141622	Foot Brake (2)
17		Cover, Corner
	12587703B	Black
18	12566606ED	Hinge, Top
19		Roller Assembly
	W10275850	Left
	W10275849	Right
20	12990521	Screw
21	12477601B	Cover, Hinge
22		Grille Assembly (Includes Clips)
	W10236650	Black
23	12477501	Cover, Fill Tube
25	12990511	Screw
27	W10217701	Cover, Water Valve
28	W10210978	Cover, Unit
30	12820505	Insulation, Sound
31	W10210987	Tube, Drain
32	B5759655	Gasket

FOR ORDERING INFORMATION REFER TO PARTS PRICE LIST

REFRIGERATOR LINER PARTS

For Models: KBL519KTSS4, KBR519KTSS4
(Stainless-LH) (Stainless-RH)



FOR ORDERING INFORMATION REFER TO PARTS PRICE LIST

REFRIGERATOR LINER PARTS

For Models: KBL519KTSS4, KBR519KTSS4
(Stainless-LH) (Stainless-RH)

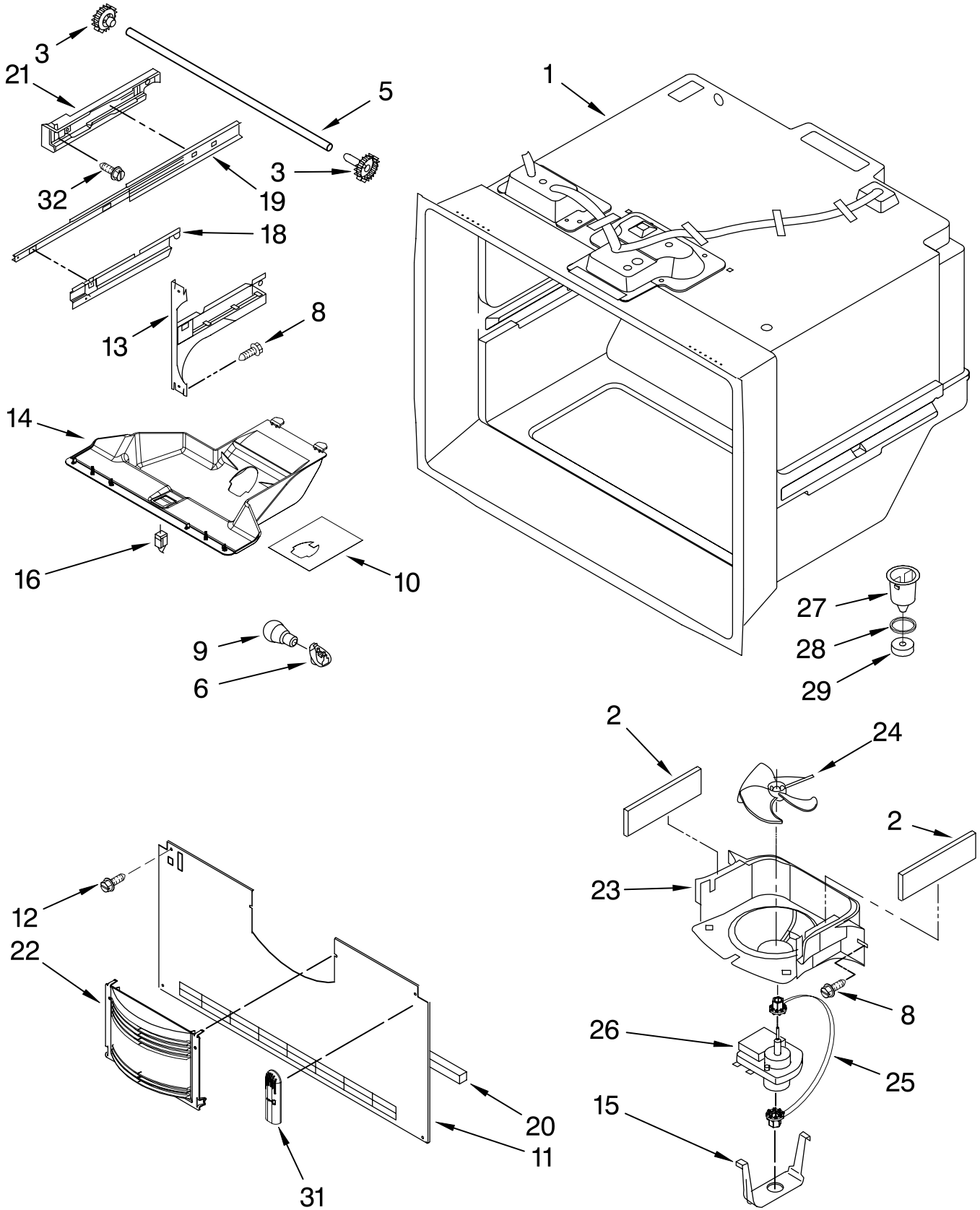
Illus.	Part	
No.	No.	DESCRIPTION
1		Liner (Not A Serviceable Part)
2	12806301	Bracket, Control and Lights
3	12816515	Overlay
4	12806406	Housing, Electronic Control
5	12868513	Board, Control
6	C3680310V	Switch, Light
7	12806501	Cover, Light
8	12806601V	Housing, Light
9	W10194422V	Bulb, Light (2)
10	12570701V	Socket, Light (2)
11	12806801	Insert, Damper Cover
12	12990604	Screw (2)
13	12806701	Cover, Damper
14	13012402	Insulation
15	W10196393	Control, Damper

Following Parts Not Illustrated

12868701 Harness, Controls
(Refrigerator)
(Includes
Thermistor)

FREEZER LINER PARTS

For Models: KBL519KTSS4, KBR519KTSS4
(Stainless-LH) (Stainless-RH)



FOR ORDERING INFORMATION REFER TO PARTS PRICE LIST

FREEZER LINER PARTS

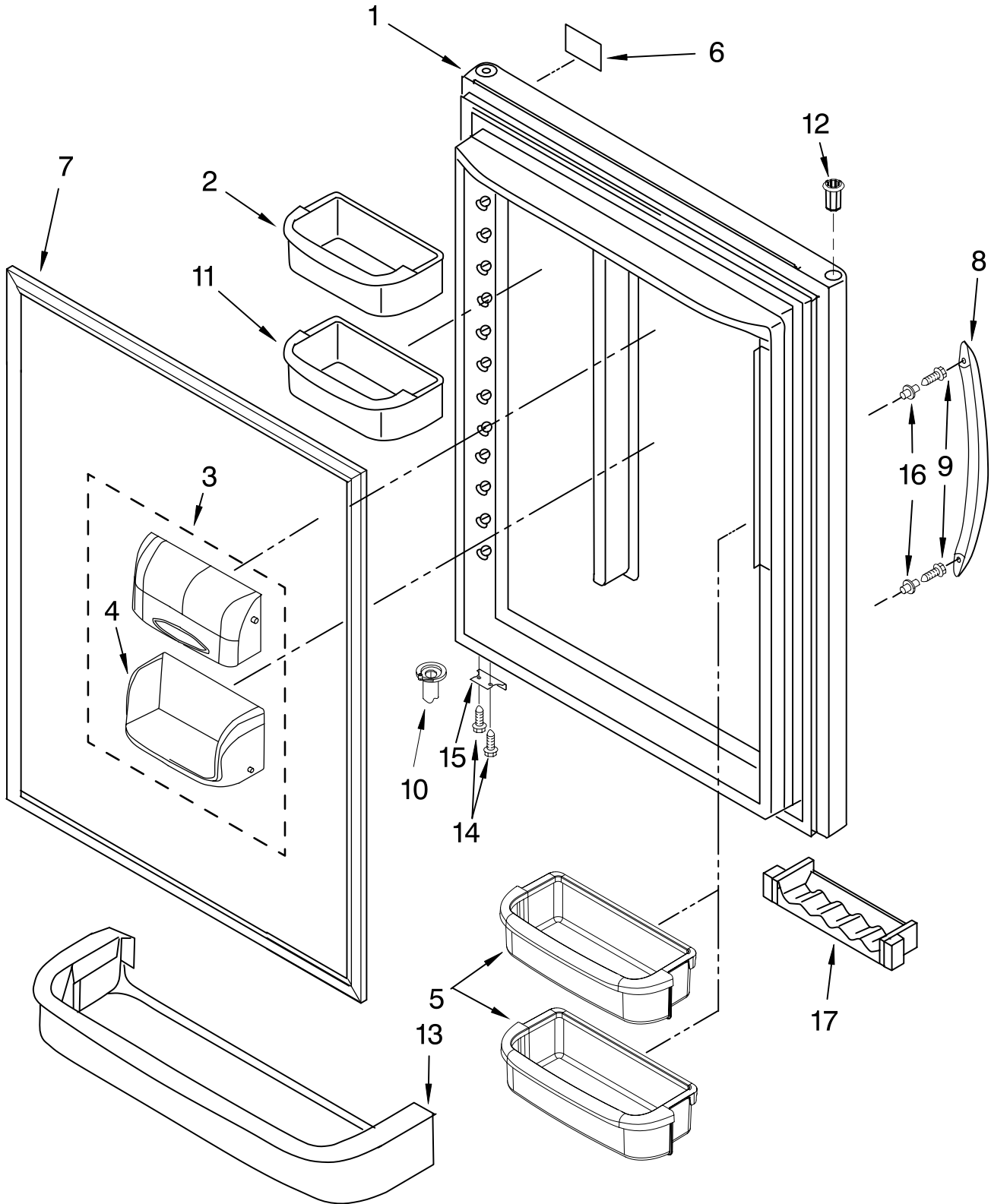
For Models: KBL519KTSS4, KBR519KTSS4
(Stainless-LH) (Stainless-RH)

Illus. No.	Part No.	DESCRIPTION
1		Liner (Not A Serviceable Part)
2	A3189392	Gasket, Foam (2)
3	12002497	Gear (2) (Includes RH & LH)
5	12812901WD	Shaft
6	12570701V	Socket, Light
8	12990521	Screw (8)
9	W10194422V	Bulb, Light
10	W10277466	Foil, Housing
11	12226110	Cover, Evaporator
12	12990101	Screw (7)
13		Bracket, Door
	W10277025	Module, Light
	W10122148	Right
14	12805001	Housing, Lighting
15	13058002	Clip, Evap. Motor
16	12466105	Switch, Light
18		Cradle, Basket
	W10280608	Left
	W10280613	Right
19	W10120018	Slide, Drawer (2)
20	A3189394	Gasket, Bottom
21		Adapter, Slide
	W10284680	Left
	W10284681	Right
22	13024803	Cover, Fan Shroud
23	13057901	Shroud, Evap.Fan
24	2169142	Fan, Evaporator
25	W10121318	Grommet (2)
26	W10128551	Motor, Evaporator
27	D7753903	Funnel, Drain (Incl. # 28 & 29)
28	M0500703	Seal
29	B8381501	Gasket
31	12815301	Cover, Thermistor
32	12990501	Screw (6)

FOR ORDERING INFORMATION REFER TO PARTS PRICE LIST

REFRIGERATOR DOOR PARTS

For Models: KBL519KTSS4, KBR519KTSS4
(Stainless-LH) (Stainless-RH)



FOR ORDERING INFORMATION REFER TO PARTS PRICE LIST

REFRIGERATOR DOOR PARTS

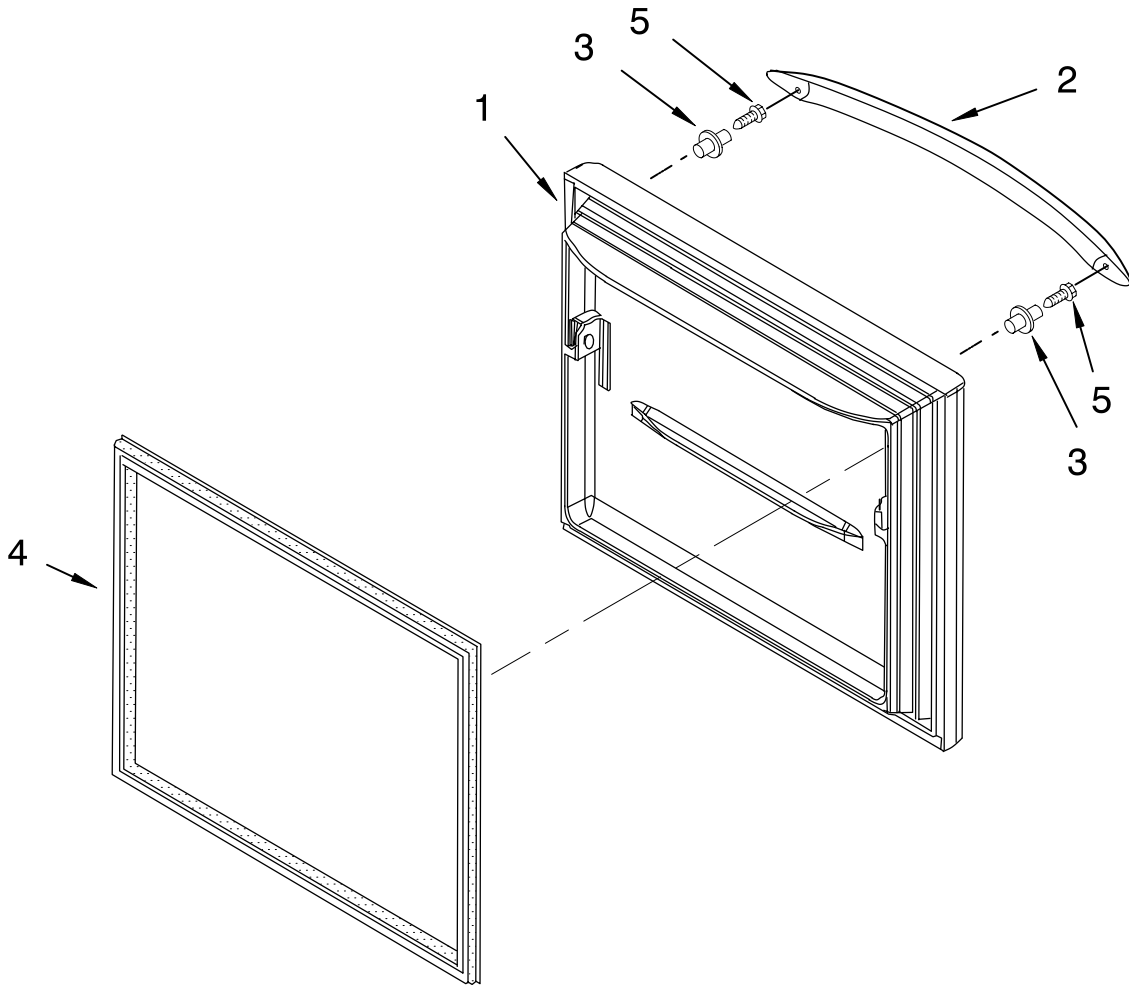
For Models: KBL519KTSS4, KBR519KTSS4
(Stainless-LH) (Stainless-RH)

Illus.	Part	
No.	No.	DESCRIPTION
1	13023887SQ	Door, Refrigerator Stainless-LH (Stainless-RH)
2	12643908	Bucket, Short
3	12744905V	Door, Dairy (Includes #4)
4	12369502SP	Tray, Dairy
5	12849106V	Bucket, Medium
6	W10046610	Nameplate
7		Gasket, Door
	W10164033	Black
8		Handle, Door
	W10119644	Stainless
9	3196181	Screw, Handle
10		Closure, Door
	12028505B	Black
11	12849103V	Bucket, Shelf (1) (Small)
12		Bushing, Door
	10961006B	Black
13	12690501	Retainer, Door
14	12990504	Screw
15	10447112	Stop, Door
16	12691403	Mount, Handle
17	12690102V	Caddy, Can

FOR ORDERING INFORMATION REFER TO PARTS PRICE LIST

FREEZER DOOR PARTS

For Models: KBL519KTSS4, KBR519KTSS4
(Stainless-LH) (Stainless-RH)



FOR ORDERING INFORMATION REFER TO PARTS PRICE LIST

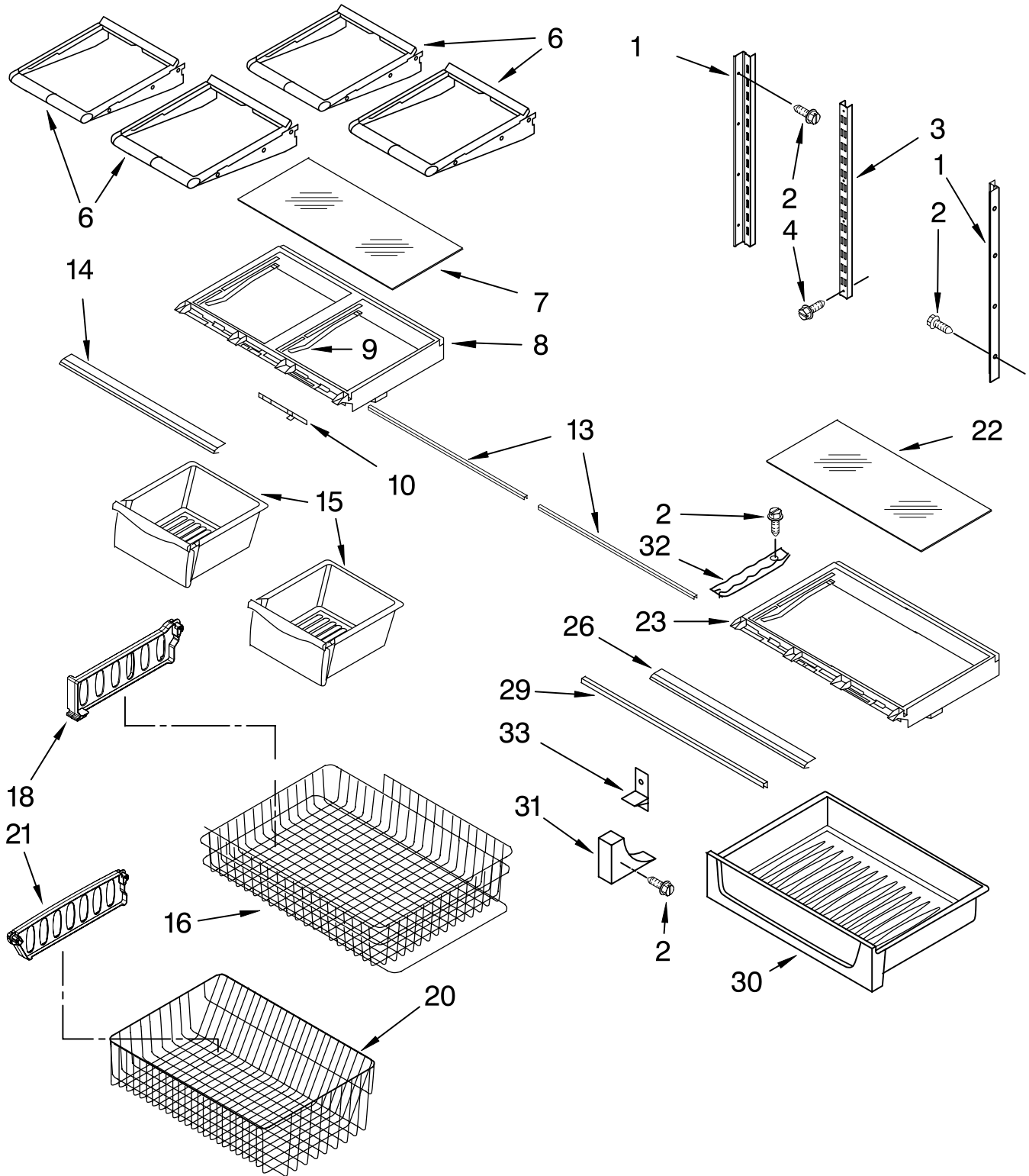
FREEZER DOOR PARTS

For Models: KBL519KTSS4, KBR519KTSS4
(Stainless-LH) (Stainless-RH)

Illus. No.	Part No.	DESCRIPTION
1	13092260SQ	Door, Freezer Stainless
2	W10119644	Handle, Door Stainless
3	12691403	Mount, Handle
4	W10164031	Gasket, Door Black
5	3196181	Screw

SHELF PARTS

For Models: KBLS19KTSS4, KBR19KTSS4
(Stainless-LH) (Stainless-RH)



FOR ORDERING INFORMATION REFER TO PARTS PRICE LIST

SHELF PARTS

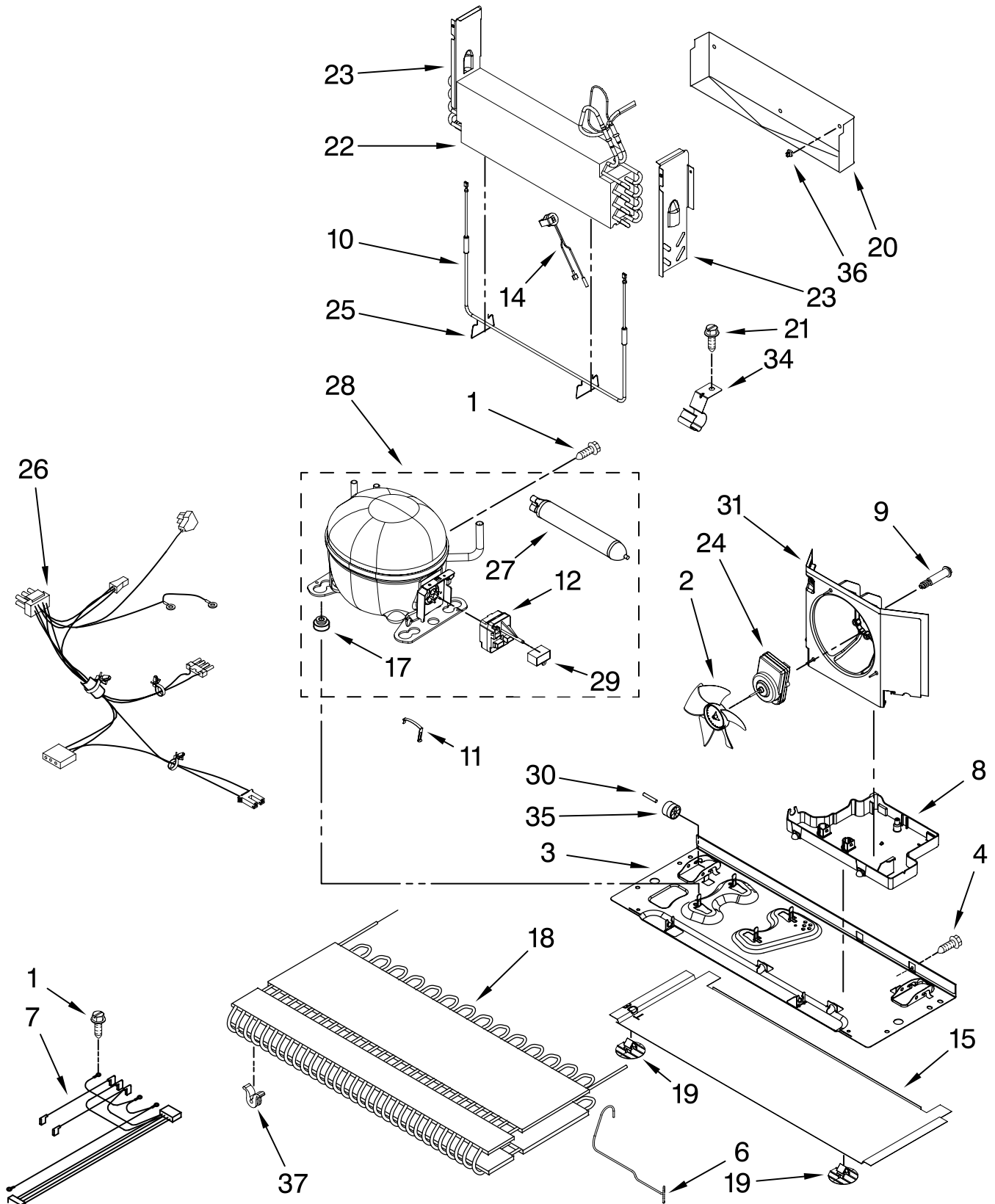
For Models: KBL519KTSS4, KBR519KTSS4
(Stainless-LH) (Stainless-RH)

Illus. No.	Part No.	DESCRIPTION
1	W10251970	Ladder, Side
2	12990513	Screw
3	W10273463	Ladder, Center
4	12990515	Screw (2)
6	12463408	Shelf, Glide (4)
7	12204823	Glass, Crisper
8	12530901SP	Frame, Crisper
9	12530701	Support, Center Crisper Drawer
10	12530805SP	Slide, Humidity Control
13	12227302WD	Support, Crisper Frame
14	W10231481	Trim, Crisper
15	12724121	Pan, Crisper (2)
16	12896401	Basket, Freezer Upper
18	12693802	Divider, Upper Basket
20	13016001	Basket, Freezer (Lower)
21	12659608	Divider, Lower Basket
22	12204823	Glass, Pantry
23	12530901SP	Frame, Pantry
26	W10231491	Trim, Pantry
29	12227302WD	Support, Rear
30	12645022	Drawer, Pantry
31		Support, Pantry
	12531001	Left
	12531002	Right
32	12531901	Track, Pantry
33	12531802	Hook, Ladder (2)

FOR ORDERING INFORMATION REFER TO PARTS PRICE LIST

UNIT PARTS

For Models: KBL19KTSS4, KBR19KTSS4
(Stainless-LH) (Stainless-RH)



FOR ORDERING INFORMATION REFER TO PARTS PRICE LIST

UNIT PARTS

For Models: KBL519KTSS4, KBR519KTSS4
(Stainless-LH) (Stainless-RH)

Illus. No.	Part No.	DESCRIPTION	Illus. No.	Part No.	DESCRIPTION	Illus. No.	Part No.	DESCRIPTION														
1	12992301	Screw	19	W10206339	Fastener, Basepan Extension	<hr/> Following Parts Not Illustrated and Optional Parts Not Included <hr/> <table style="margin-left: auto; margin-right: auto;"> <tr> <td>978025</td> <td>Valve, Access (1/4")</td> </tr> <tr> <td>978026</td> <td>Valve, Access (5/16")</td> </tr> <tr> <td>978027</td> <td>Valve, Access (3/8")</td> </tr> <tr> <td>978028</td> <td>Valve, Access (1/2")</td> </tr> <tr> <td>978029</td> <td>Valve, Access (5/8")</td> </tr> <tr> <td>978030</td> <td>Valve, Access (3/4")</td> </tr> <tr> <td>876764</td> <td>Valve, Access (3/16")</td> </tr> </table> <hr/> REFRIGERANT CHARGE <hr/> 4.25 Ozs. (R-134A)			978025	Valve, Access (1/4")	978026	Valve, Access (5/16")	978027	Valve, Access (3/8")	978028	Valve, Access (1/2")	978029	Valve, Access (5/8")	978030	Valve, Access (3/4")	876764	Valve, Access (3/16")
978025	Valve, Access (1/4")																					
978026	Valve, Access (5/16")																					
978027	Valve, Access (3/8")																					
978028	Valve, Access (1/2")																					
978029	Valve, Access (5/8")																					
978030	Valve, Access (3/4")																					
876764	Valve, Access (3/16")																					
2	12825803	Blade, Fan	20	12225401WD	Tray, Drip																	
3	W10210982	Basepan	21	12990701	Screw																	
4	12990511	Screw	22	12726401	Evaporator Dam																	
6	W10217744	Tube, Discharge	23	12225702	Right Side																	
7	W10280423	Harness, Evap Heater		12225602	Left Side																	
8	W10296784	Pan, Drain	24	12825101	Motor, Fan																	
9	W10216919	Screw, Shoulder	25	10428101	Clip, Heater																	
10	12729127	Evaporator Heater	26	W10234024	Harness, Unit																	
11	W10216075	Strap, Bale	27	W10143759	Drier																	
12		Start Protect, Combo	28	W10130129	Compressor Kit (Contains Items 12, 17, 27, & 29)																	
	2320150	Production	29	2264017	Capacitor																	
	W10136414	Service	30	12477202	Axle, Roller																	
14	12639324SP	Thermostat, Defrost	31	W10189184	Shroud																	
15	W10206336	Extension, Basepan	34	10547003	Clip, Drier																	
17	10835903SP	Grommet (4)	35	12477102	Roller (2)																	
18	W10135028	Condenser	36	10623002	Clip, Evap (2)																	
			37	W10137529	Grommet (4)																	

OPTIONAL PARTS (NOT INCLUDED)

For Models: KBLS19KTSS4, KBR19KTSS4
(Stainless-LH) (Stainless-RH)

Illus. No.	Part No.	DESCRIPTION
ICE MAKER FIELD INSTALLABLE		
	W10261234	IC13B
<u>PAINT, TOUCH-UP (1/2oz.)</u>		
	72017	White
	72032	Black
	4392901	Biscuit
<u>PAINT, PRESSURIZED SPRAY (12 oz.)</u>		
	*350942	Primer, White
	*350930	White
	*350939	Black
	*4392901	Biscuit
* Important: The spray paint is not to be used where the paint may make contact with the door gaskets.		

Illus. No.	Part No.	DESCRIPTION
<u>PAINT, BULK (1 qt.)</u>		
	799344	White (Uncut)
	799344	Black (Uncut)
	4392900	Biscuit (Uncut)
<u>Miscellaneous</u>		
	212643	Sealer, Gum (4 Feet)
	479502	Tape, Vinyl (3/4 x 108")
	505587	Sealer, Mastic (1 Qt.)
	503695	Cork, Sealer (1/4 Pound)
	542638	Grease, Silicone (1/2 Oz.)
	542639	Cement, Alumilastic (1-1/4 Oz.)
	799833	Kit, Evaporator Repair (Aluminum Epoxy)
	833938	Kit, Terminal Connector

Illus. No.	Part No.	DESCRIPTION
<u>TORX SCREW WRENCH</u>		
	1117510	Torx Key
<u>ACCESSORIES</u>		
	2217192	Cleaner, Stainless Steel

FOR ORDERING INFORMATION REFER TO PARTS PRICE LIST