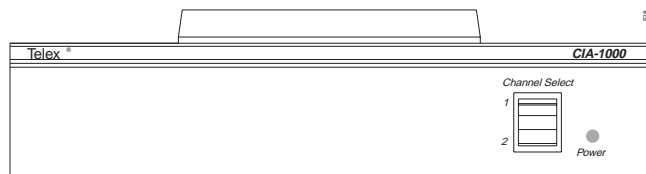
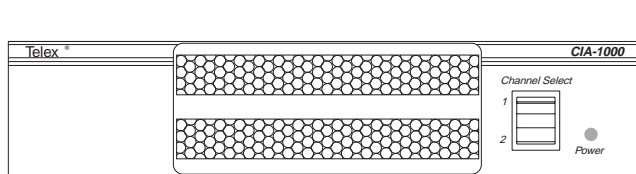


CIA-1000 CALL INDICATOR ASSEMBLY USER INSTRUCTIONS



**CIA-1000 Call Indicator Assembly
(Top light version for desktop usage.)**



**CIA-1000 Call Indicator Assembly
(Front light version, may be rack mounted.)**

General Description

The CIA-1000 Call Indicator Assembly connects to an Audiocom or RTS TW intercom channel and provides an attention-getting indicator light for cueing and paging. The light can be activated by any call button on the channel. Relay contacts are also included for activation of an external device along with the light.

The CIA-1000 top-light version can be placed on a desktop, or mounted on a wall. The front-light version can be rack mounted with optional Audiocom rack mounts.

Features

- Choice of red or amber light.
- Available with top- or front-mounted light. The top-light version is ideal for desktop or wallmount use. The front-light version is suitable for rack mounting.
- System select control for compatibility with Audiocom or RTS TW Intercoms.
- Channel select control for TW channel 1 or 2 select.
- Line and Loop connectors permit connection within a chain of intercom stations.
- AC powered, includes PS-L wallpack (same wallpack as used for US2000A, ES4000A, SPK-2000).
- Spring-clamp terminals for relay output, with normal-open (NO), common (C) and normal-closed (NC) contacts.
- Rack-mountable with optional Audiocom rack mount hardware. Occupies 1/2-wide rack space.
- Available in Audiocom black or RTS gray.

Specifications

Power Requirements: 12 to 15 VDC, 65 to 150 mA (supplied by PS-L wallpack)..

Call Detect Frequency: 20 kHz (compatible with Audiocom and RTS TW call signaling).

Relay

Type: SPDT, with Common (C), Normal-open (NO) and Normal-closed (NC) contacts.

Contact Ratings: 0.5A at 120 VAC; 1A at 24 VDC; 0.3A at 60 VDC.

Dimensions: 2" (51 mm) high (top-mounted light) 1.75" (44.5 mm) high (front-mounted light) x 8.25" (209.6 mm) wide x 5.25" (133.4 mm) deep.

Environmental: 0°C to 50°C; 0% to 95% humidity, non-condensing.

Package Contents

CIA-1000 Call Indicator Assembly

PS-L Wall-pack Power Supply

User Instructions

Warranty Registration: Fill out and return.

Telex Communications, Inc. 9600 Aldrich Ave. South, Minneapolis, MN 55420 Tel: 612-884-4051 Fax: 612-884-0043

Email: pro.sound@telex.com Home Page <http://www.telex.com>

Circuit Board Configuration Jumpers

To change the jumper settings, remove the top cover.

J6: Call Light Configuration

Jumper on pins 1-2: Light flashes during call (default-typical setting).

Jumper on pins 2-3: Light stays lit during call.

J8: Relay Configuration

Jumper on pins 1-2: Normal Open (NO) contacts closed continuously during call (default-typical setting).

Jumper on pins 2-3: Relay contacts toggle at flash rate during call.

External Switch

Normally, the CIA-1000 indicator light and relay are actuated by call signals on the intercom channel. The CIA-1000 may also be modified to actuate the light and relay using an external, user-supplied switch. See Figure for location of the switch connector.

Mounting

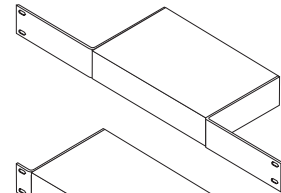
The CIA-1000 can be wall mounted using the slotted holes in the bottom of the case.

The front-light version can be installed in an equipment rack using optional Audiocom rack mounts.

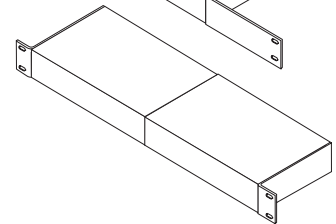
Installation

1. Plug the supplied PS-L Power Supply into an AC wall outlet and into the *12-15 VDC* power jack on the back of the CIA-1000.
2. Set the *System Select* switch to the "in" position for Audiocom or the "out" position for RTS TW.
3. Set the *Channel Select* switch:
 - Audiocom, the position of the switch does not matter.
 - RTS TW intercom system: select either channel 1 or channel 2 as desired.
4. Connect the CIA-1000 to an intercom channel like any other intercom station.

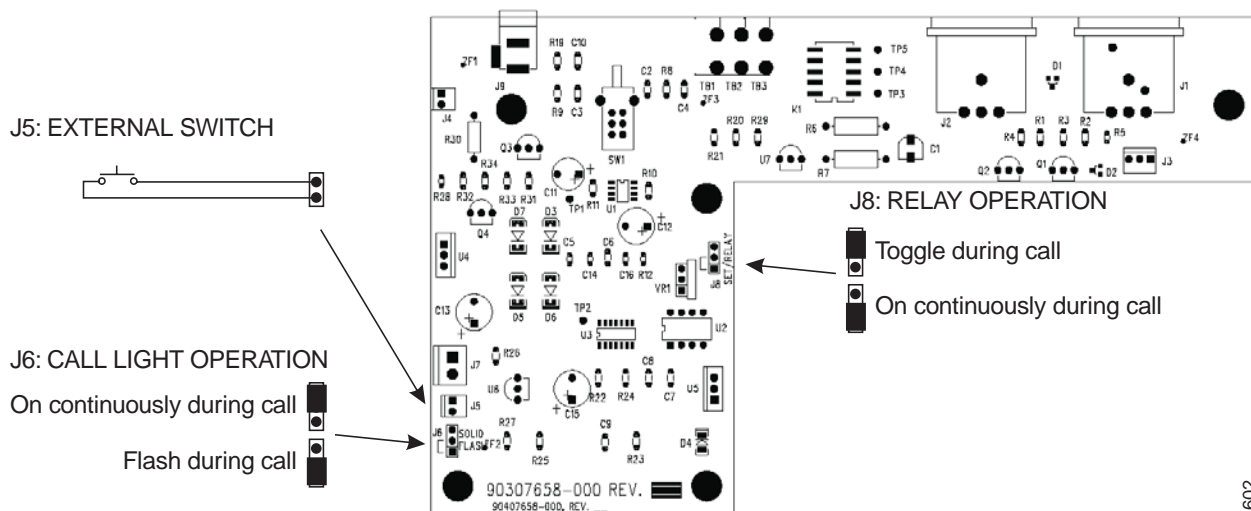
RMK-S Single-Unit Rack Mount Kit
for one 1/2-rack wide Audiocom component*



RMK-D Dual-Unit Rack Mount Kit
for two 1/2-rack wide Audiocom components*



Audiocom Rack Mount Kits



Location of Jumpers and External Switch Connector