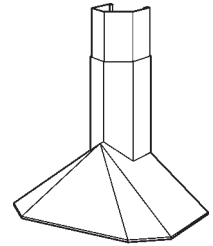


# K30 SERIES RANGE HOODS



Seamless, handcrafted beauty and multifaceted construction create a timeless object of desire.

### FEATURES

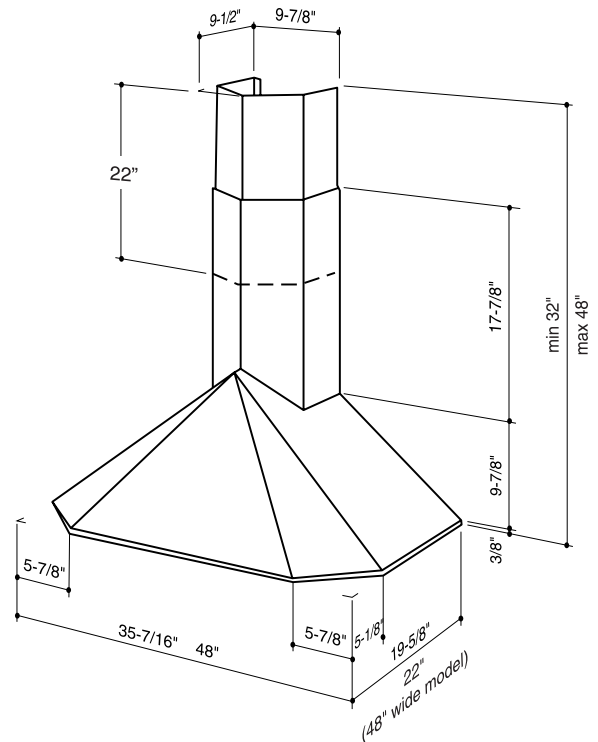
- Italian design
- Wall mount
- Finishes: 304 Stainless Steel #4 Brushed, White, Black
- Widths: 35-7/16" (90cm), 48"
- Ducted telescopic flue accommodates 8' to 9' ceilings
- 6" round duct connector/backdraft damper
- Halogen lighting (2 x 20 watt, Type MR16 for 35-7/16" model; 3 x 20 watt, Type MR16 for 48" model) provides two-level lighting – bright cooktop illumination and a low nighttime setting (bulbs included)
- Advanced, multispeed, electronic push-button controls with individual speed indicators
- Quiet, variable-speed centrifugal blower with high-efficiency motor produces 500 CFM of exhaust
- Delay timer control automatically shuts off range hood after ten minutes
- Special control indicates when it's time to clean the filter
- Dishwasher-safe filters feature a quick-release latch and polished stainless steel
- Heat Sentry™ - automatically turns blower to high speed when excess cooking heat is detected

### OPTIONS

- Replacement grease filters available
- Flue extension for 10' ceiling (Model FEXTK30 in Stainless Steel, White, Black) (30-1/8" Long)
- Exterior blower version (KEX30) available, providing 600, 900, 1200, or 1500 CFM exhaust

### SPECIFICATIONS

VOLTS	AMPS	CFM	SONES	DUCT
120	3.13/3.34	500	8.5	6" round

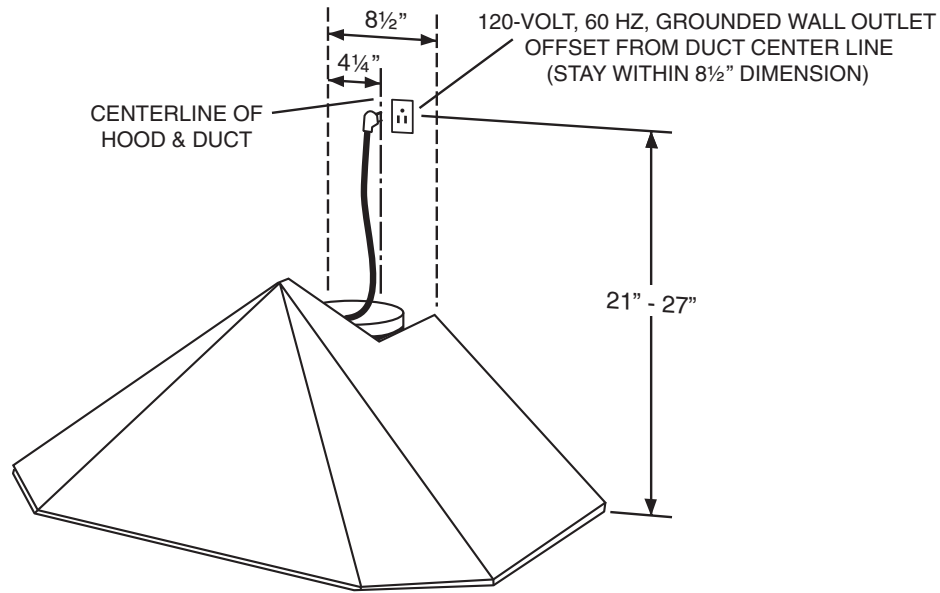


HVI-2100 CERTIFIED RATINGS comply with new testing technologies and procedures prescribed by the Home Ventilating Institute, for off-the-shelf products, as they are available to consumers. Product performance is rated at 0.1 in. static pressure, based on tests conducted in AMCA's state-of-the-art test laboratory. Sones are a measure of humanly-perceived loudness, based on laboratory measurements.

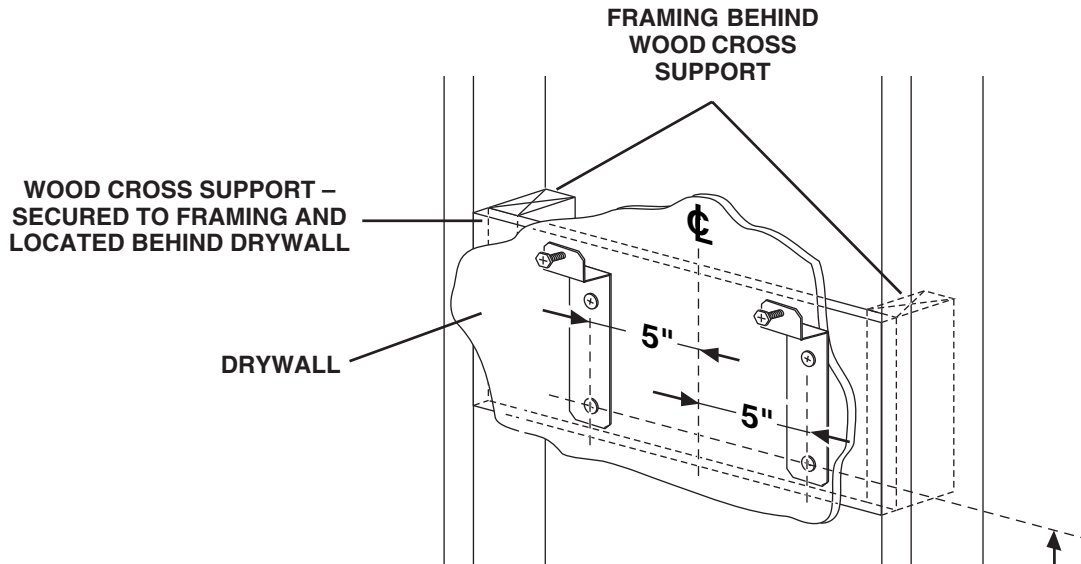
BEST BY BROAN P.O. BOX 140 HARTFORD, WISCONSIN 53027

REFERENCE	QTY.	REMARKS	Project
			Location
			Architect
			Engineer
			Contractor
			Submitted by
			Date

# K30 SERIES WIRING



# K30 SERIES MOUNTING



CEILING HEIGHT	HOOD DISTANCE ABOVE 36" HIGH COOKTOP (SEE NOTE)						
	24"	25"	26"	27"	28"	29"	30"
	MOUNTING BRACKET LOCATION ABOVE 36" HIGH COOKTOP						
8 FEET	29-5/8"	30-5/8"	31-5/8"	32-5/8"	33-5/8"		
9 FEET	29-5/8"	30-5/8"	31-5/8"	32-5/8"	33-5/8"	34-5/8"	35-5/8"
10 FEET WITH FEXTK30 FLUE EXTENSION					33-5/8"	34-5/8"	35-5/8"

**MOUNTING BRACKET LOCATION (ABOVE 36" HIGH COOKTOP)**

**NOTE:** Minimum hood distance above cooktop must not be less than 24".

A maximum of 30" above the cooktop is highly recommended for best capture of cooking impurities.

Distances over 30" above the cooktop are at the installer's and user's discretion - providing that ceiling height and flue length permit.

