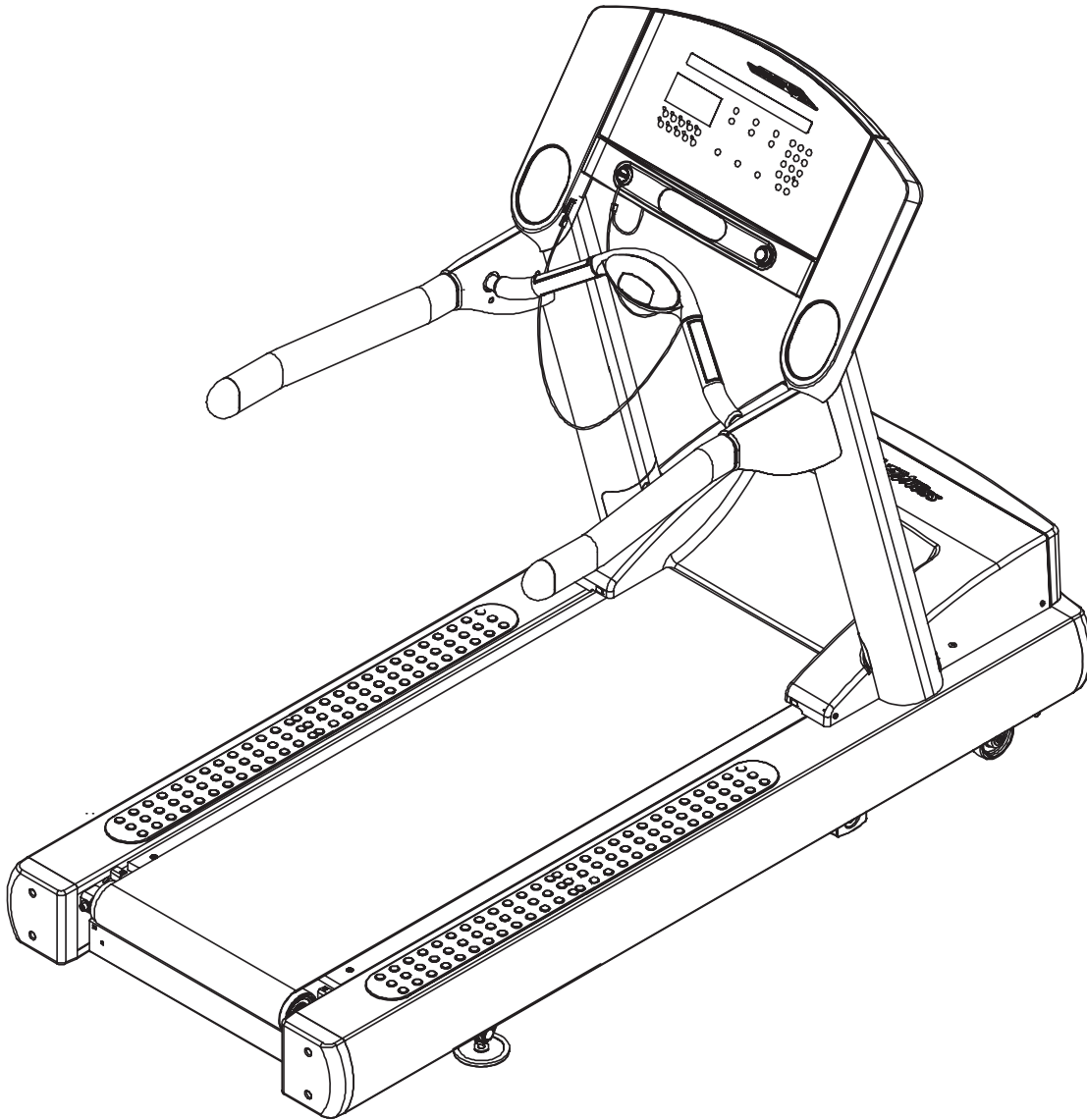


LifeFitness

CLUB SERIES TREADMILL CST-0XXX-01

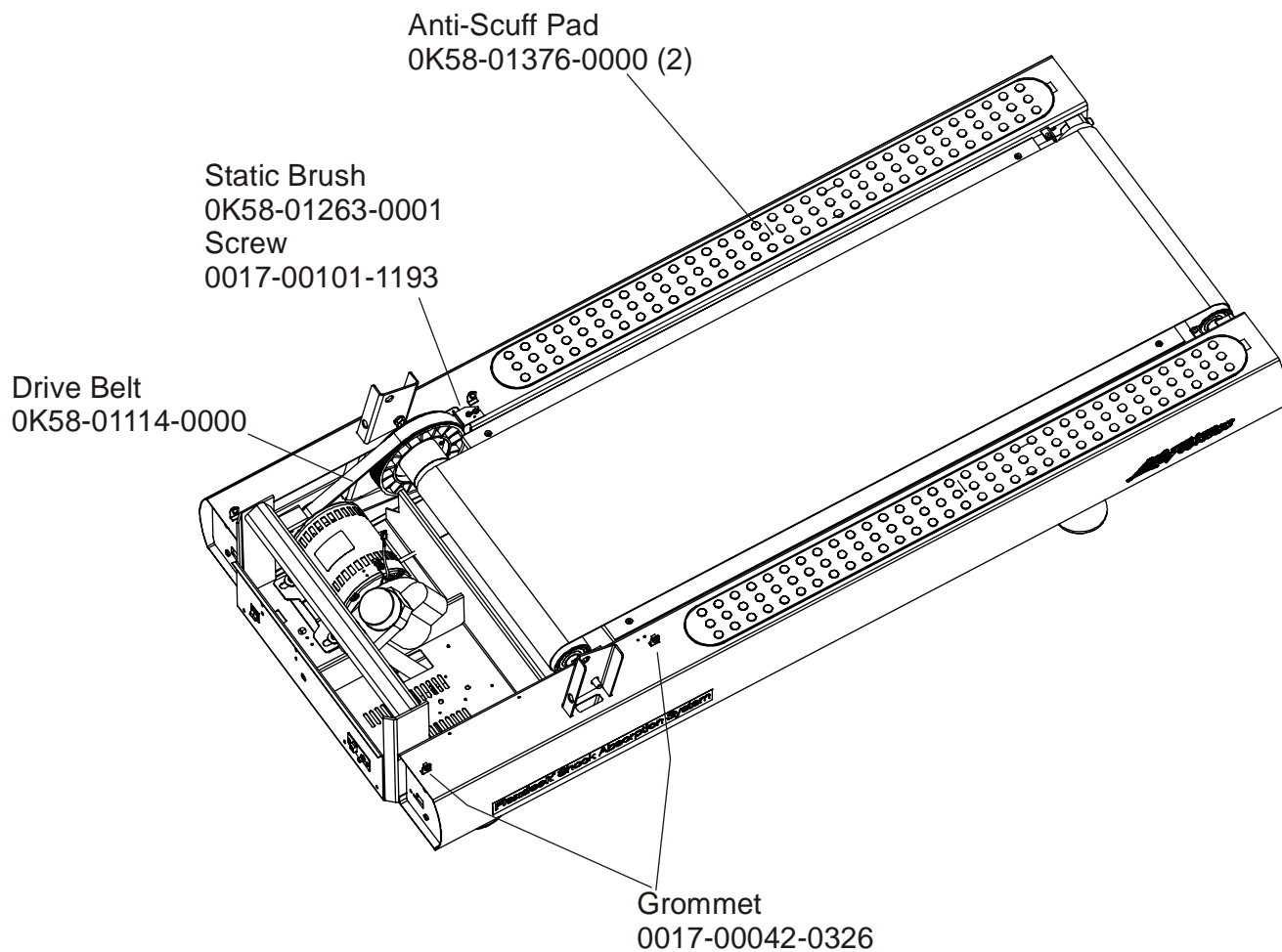


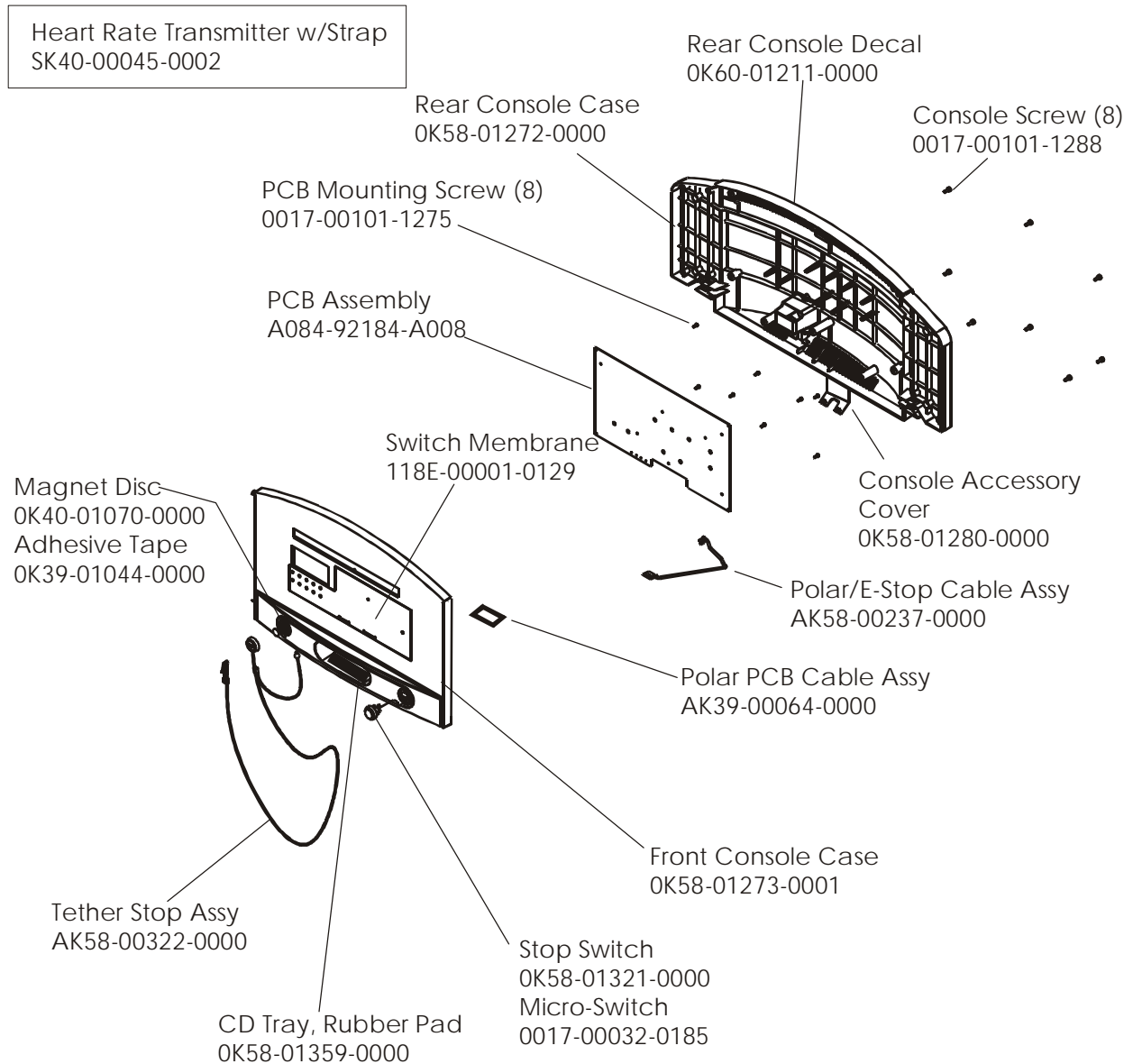
Customer Support Services
PARTS MANUAL rev 14 Nov 2007

Miscellaneous	3
Frame Assembly	4
Console Assembly	5
Handrail Assembly.....	6
Covers, End Caps, and Hardware	7
Belt, Deck, and Rear Roller.....	8
Lift Motor and Frame - Domestic	9
Lift Motor and Frame - International	10
Idler Assembly	11
Motor Controller Assembly.....	12
Drive Motor Assembly.....	13
Leveler Assembly.....	14
Front Roller Assembly	15
Ergo Bar w/Lifepulse	16
Line Cords and Cables	17

Touch-Up Paint		
Part No.	Color	Container
0017-00008-0204	Arctic Silver	Spray Can
0017-00008-0205	Arctic Silver	.5 oz Bottle
0017-00008-0206	Arctic Silver	.33 oz Pen
0017-00008-0210	Shadow Gray	.6 oz Bottle
0017-00008-0211	Shadow Gray	.6 oz. Pen

Miscellaneous	
Manual/Video/Hardware	Part Number
Service Manual	M051-00K58-A253
Installation Manual	M051-00K60-A094
Operation Manual	M051-00K60-A093
Hardware Bag	AK60-00173-0000



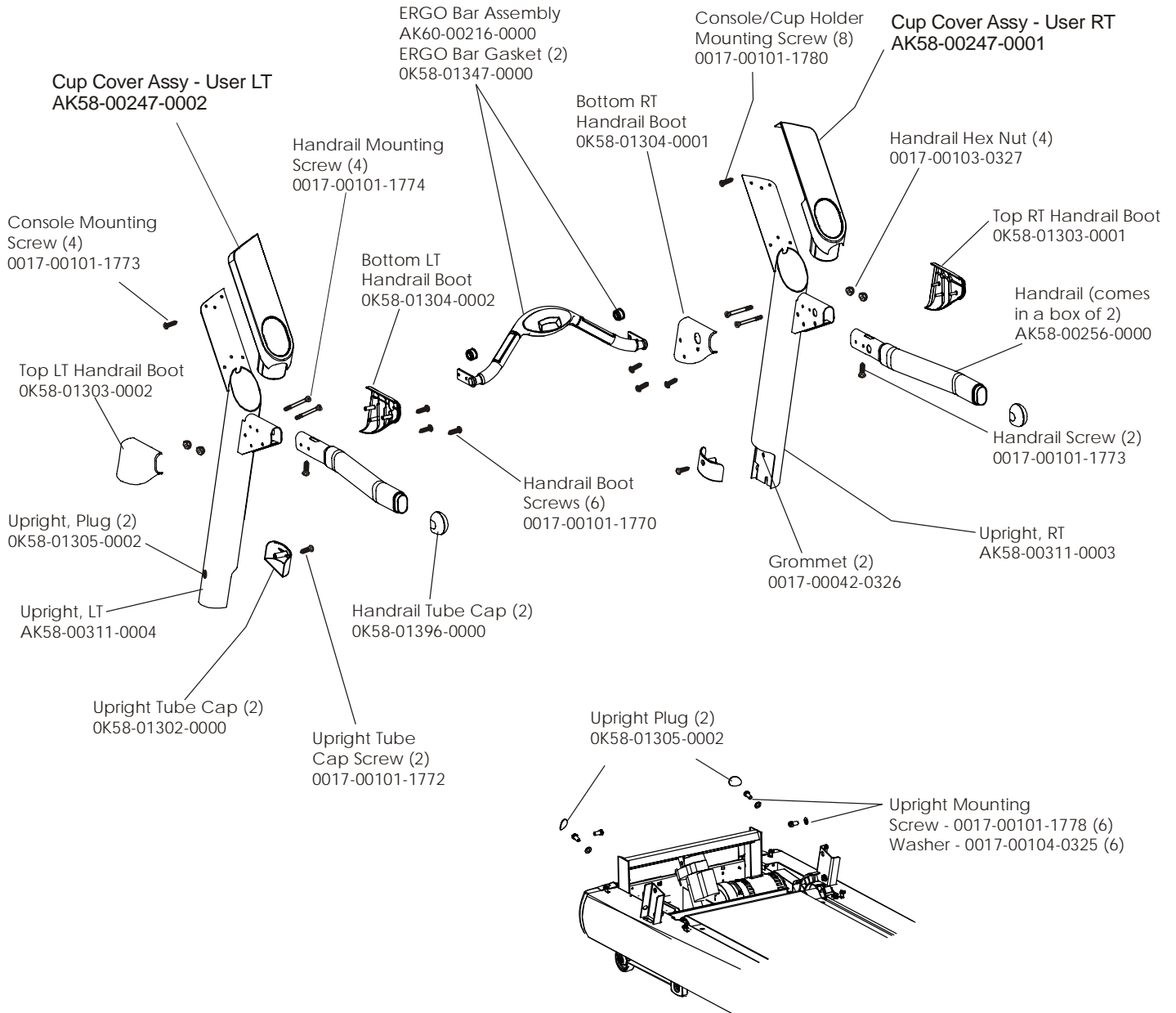


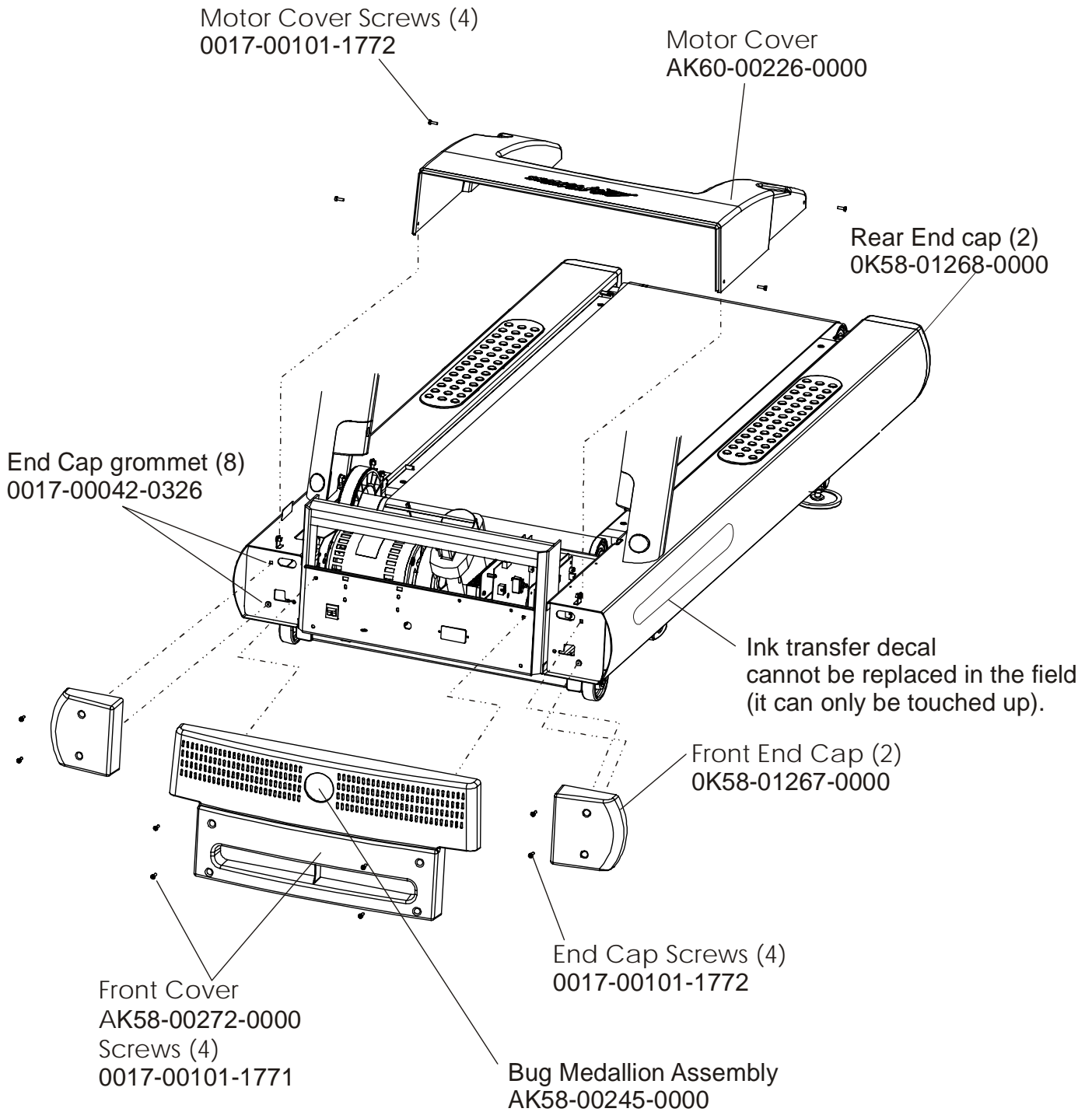
Language	Console Assembly	Overlay/Bezel/Switch Assembly	Overlay
Eng/Met	AK60-00217-0001	GK58-00002-0125	OK58-01488-0001
Eng/Eur	AK60-00217-0002	GK58-00002-0125	

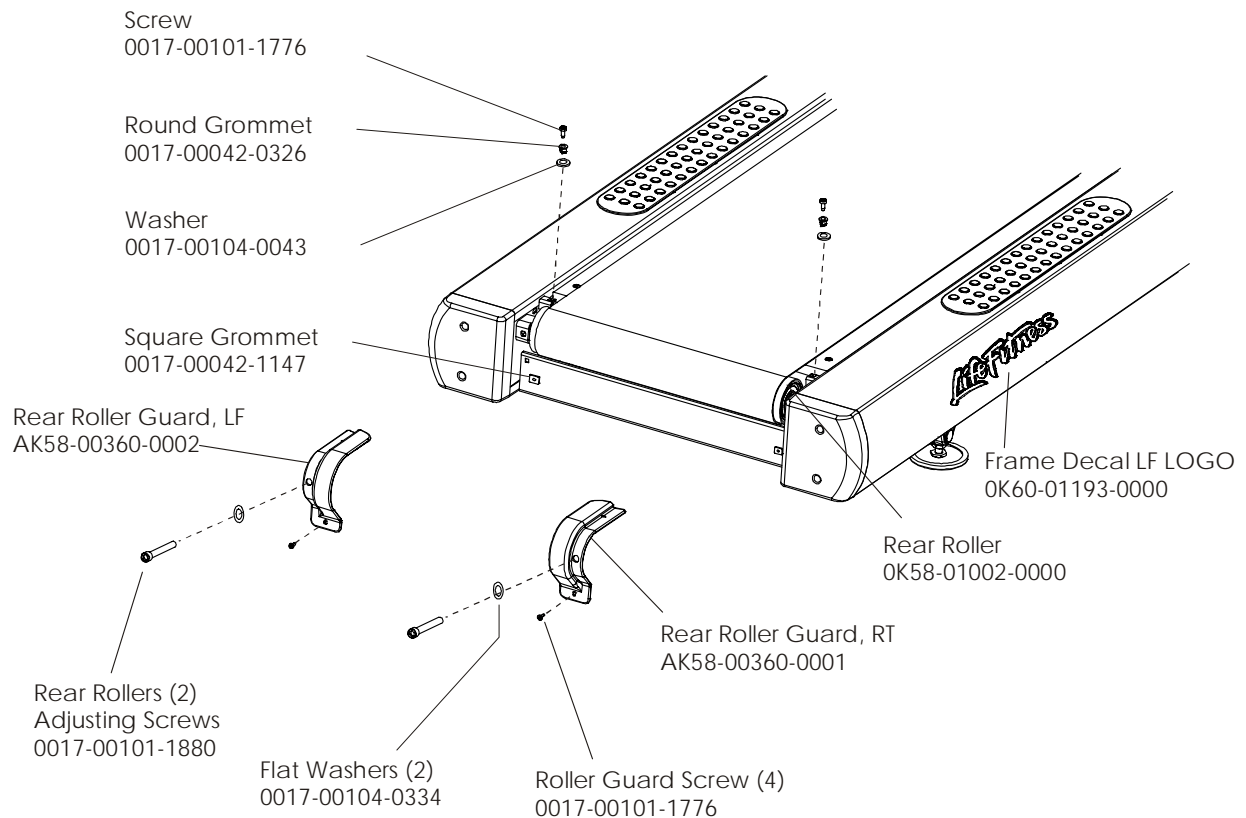
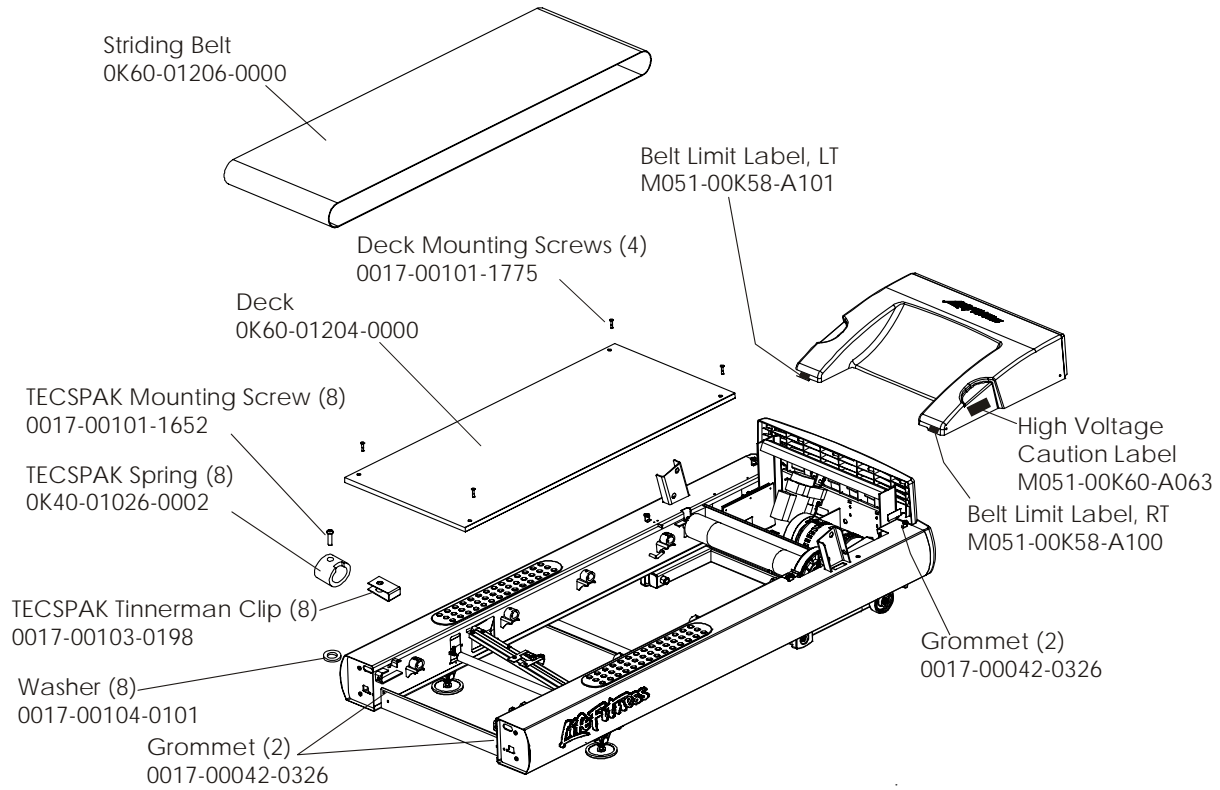
The AK58-00109-0000 Ferrite Bead Assembly is used on the AK60-00217-0002 console assembly only and is the only component that is unique between the two console part numbers.

Club Series Treadmill Handrail Assembly

CST-0XXX-01
S/N CST100000







Club Series Treadmill
Lift Motor and Frame - Domestic

CST-0XXX-01
S/N CST100000

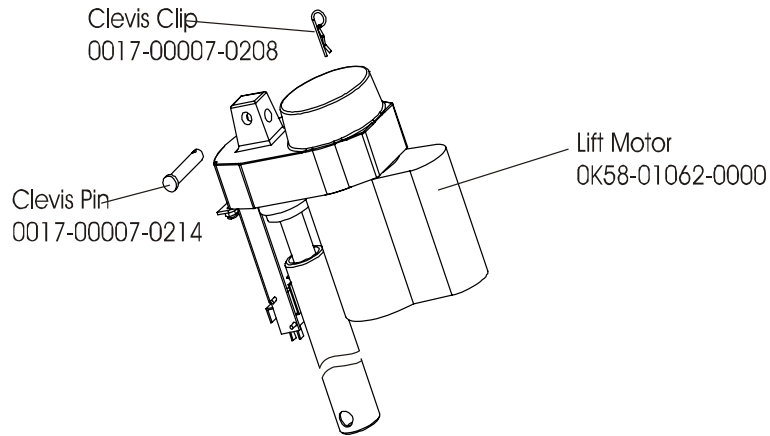
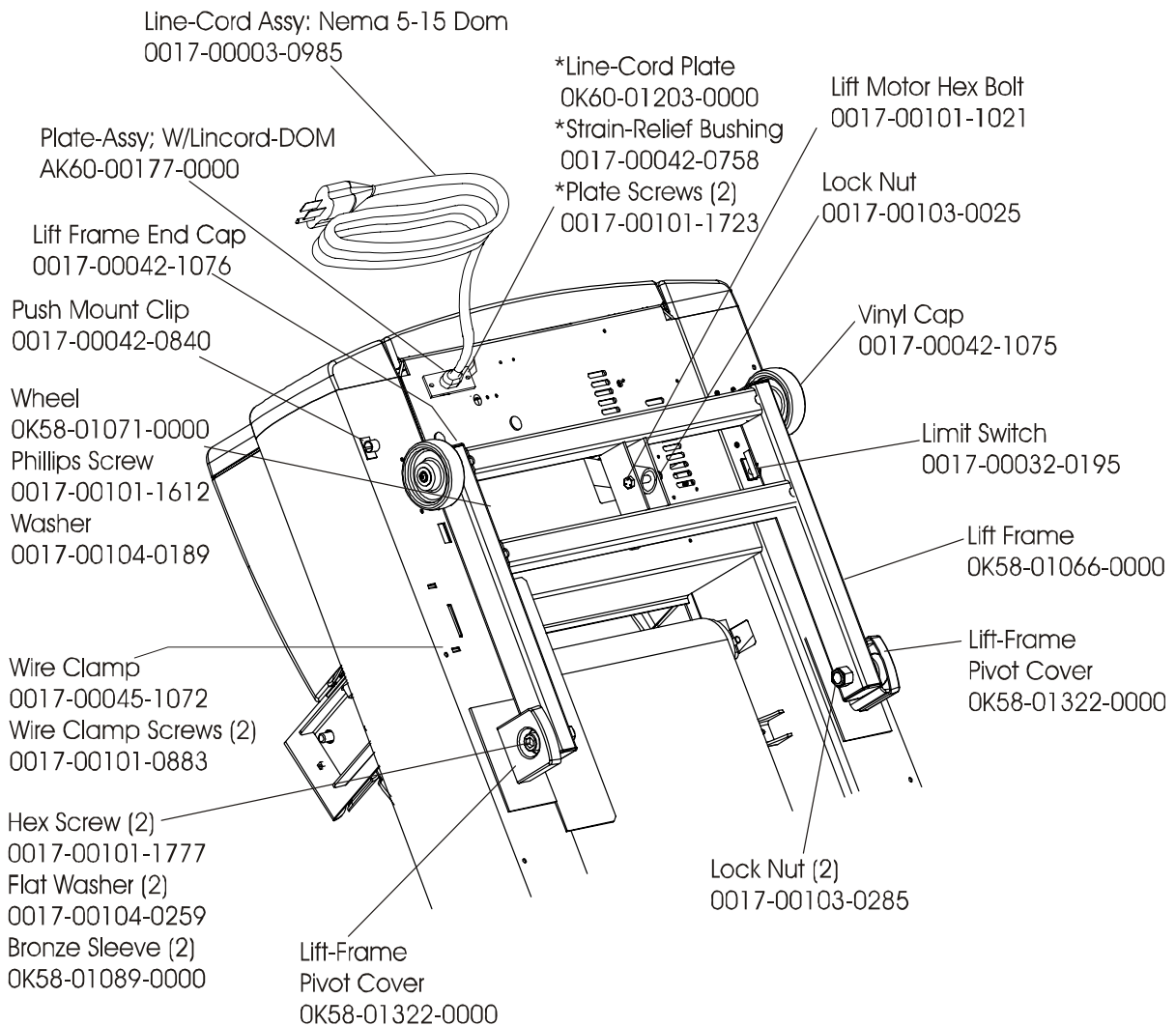
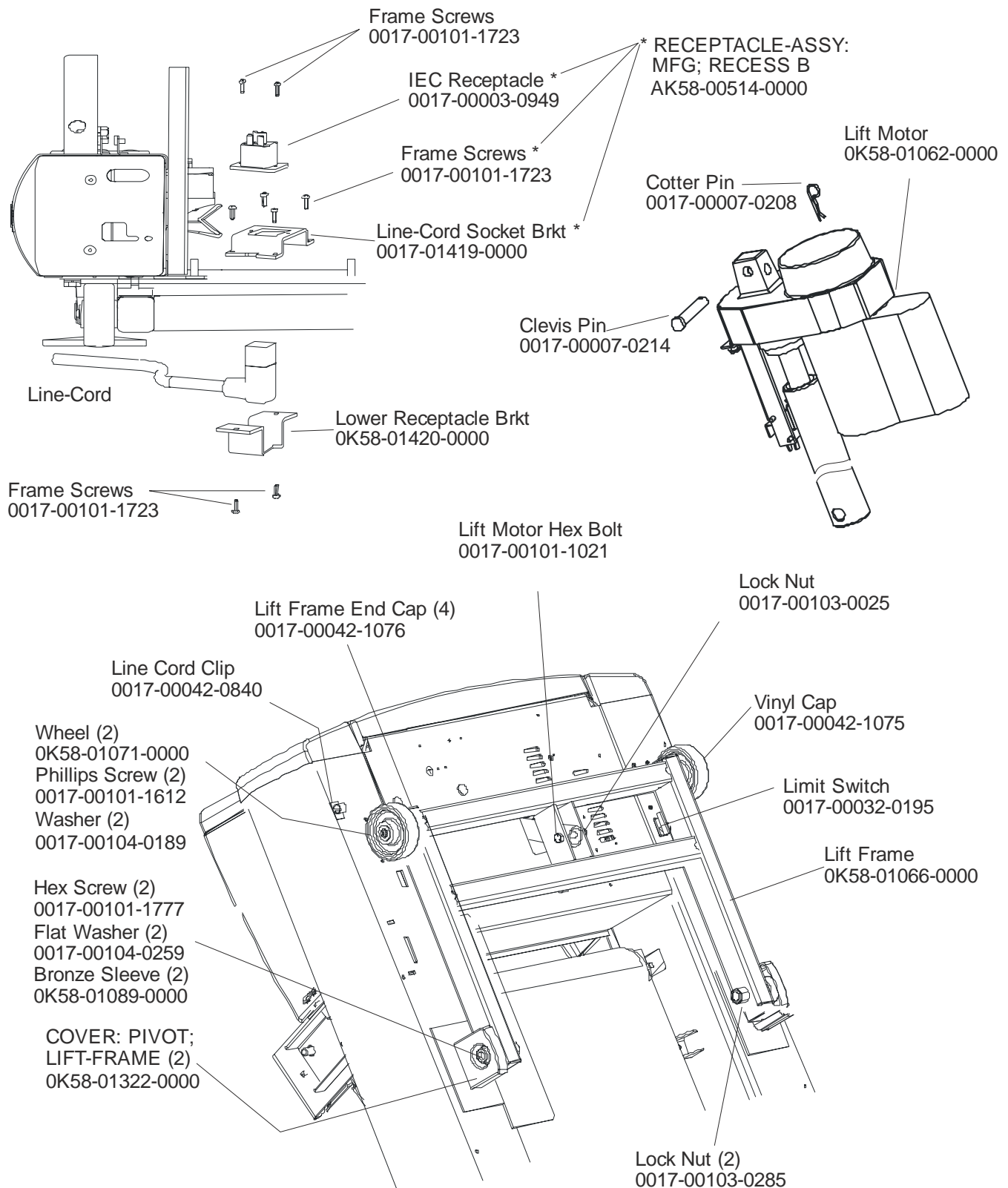
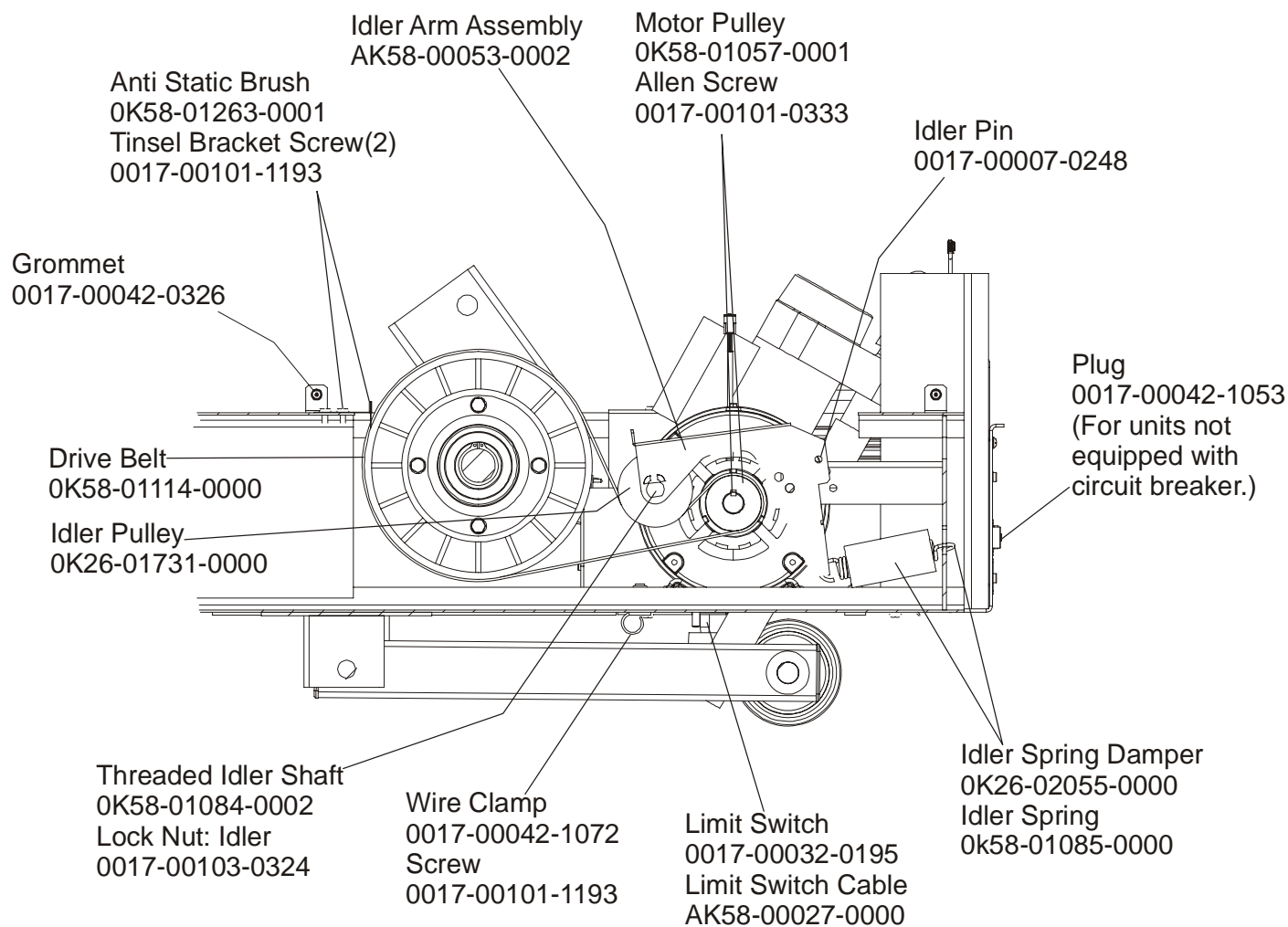


Plate Assembly w/Line Cord - Dom
AK60-00177-0000
* parts included in kit



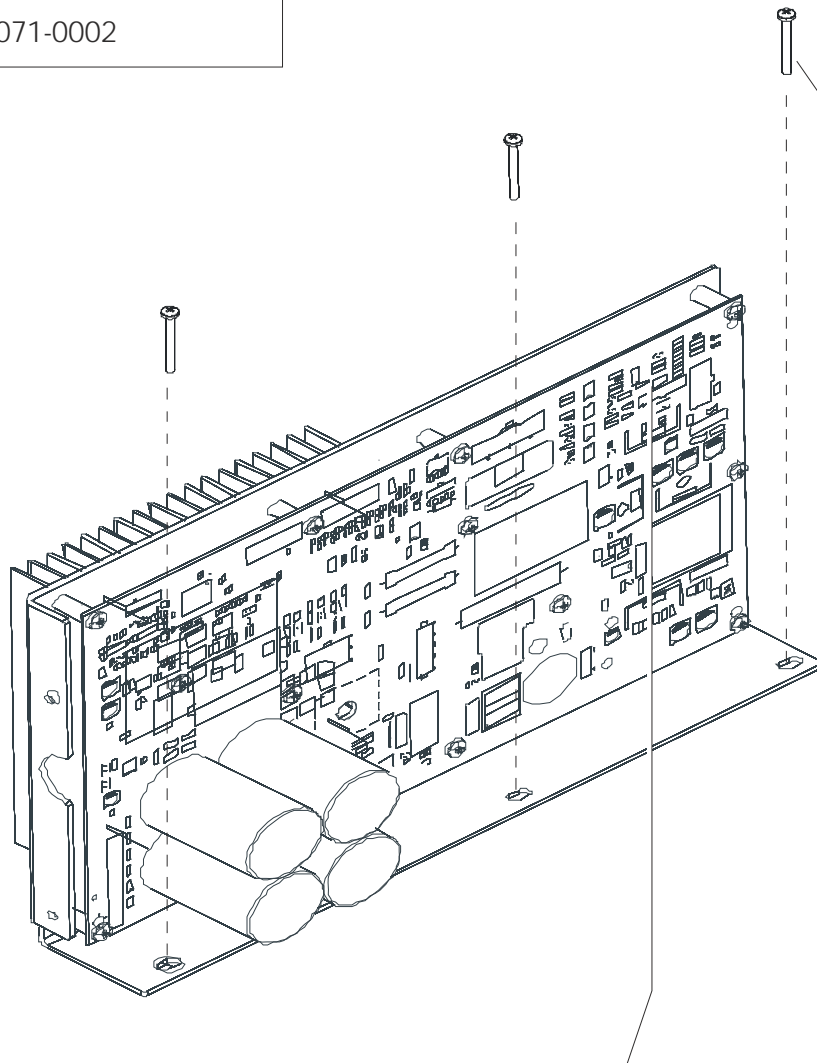




Club Series Treadmill
DSP Motor Controller Assembly

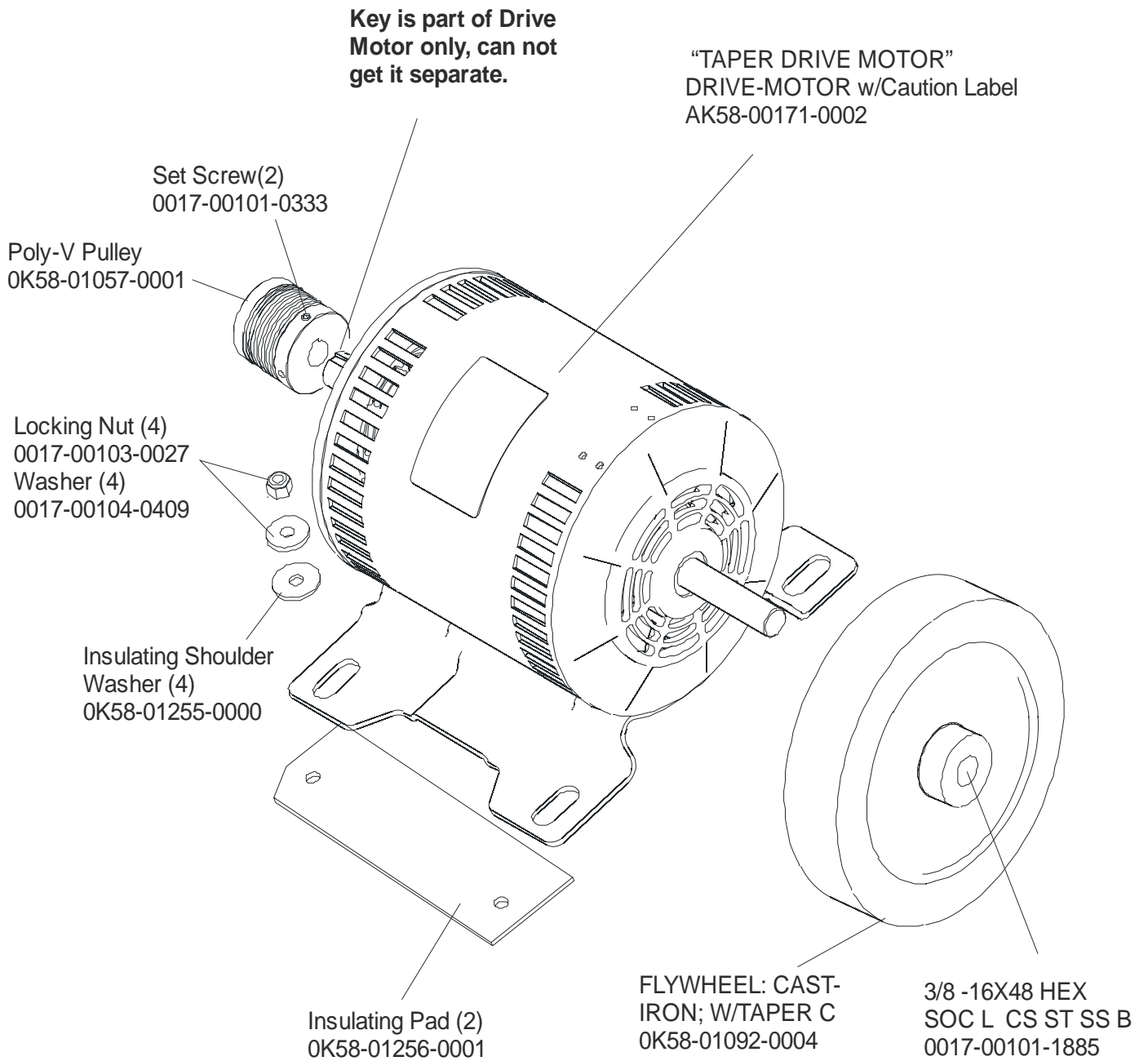
CST-0XXX-01
S/N CST100000

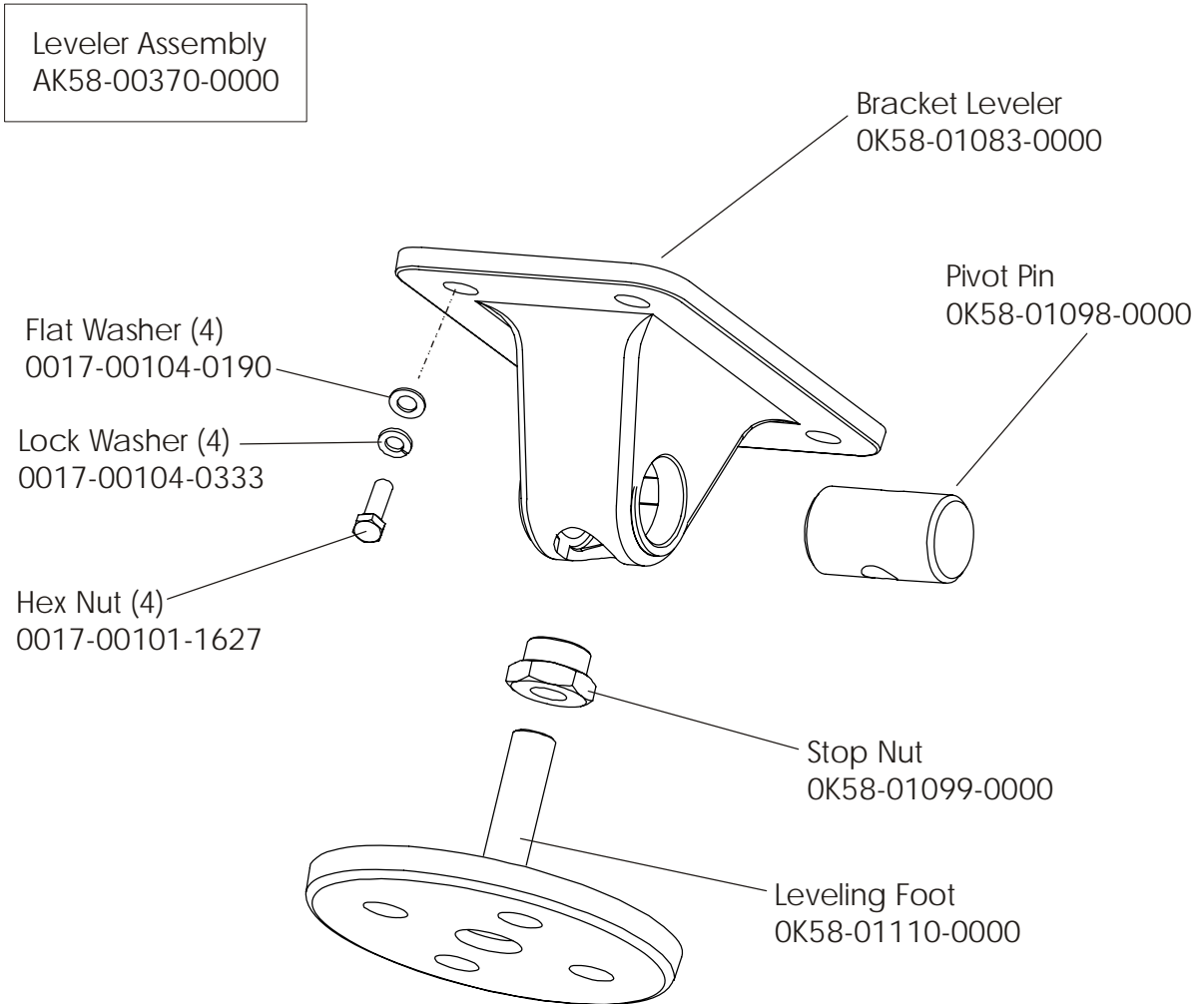
DSP Motor Controller Assembly
100-120V
AK65-00071-0000
200-240V
AK65-00071-0002



Phillips Pan Screws (3)
0017-00101-1781

note: keep the jumper (part no. AK58-00522-0000) that is on P9--the DSP motor controller is not supplied with it.





Front Roller Assembly
AK58-00066-0000

Mounting Bolt
0017-00101-0974

Flat Washer
0017-00104-0043

Lock Washer
0017-00104-00063

Polley V Pulley 8"
OK58-1105-0000

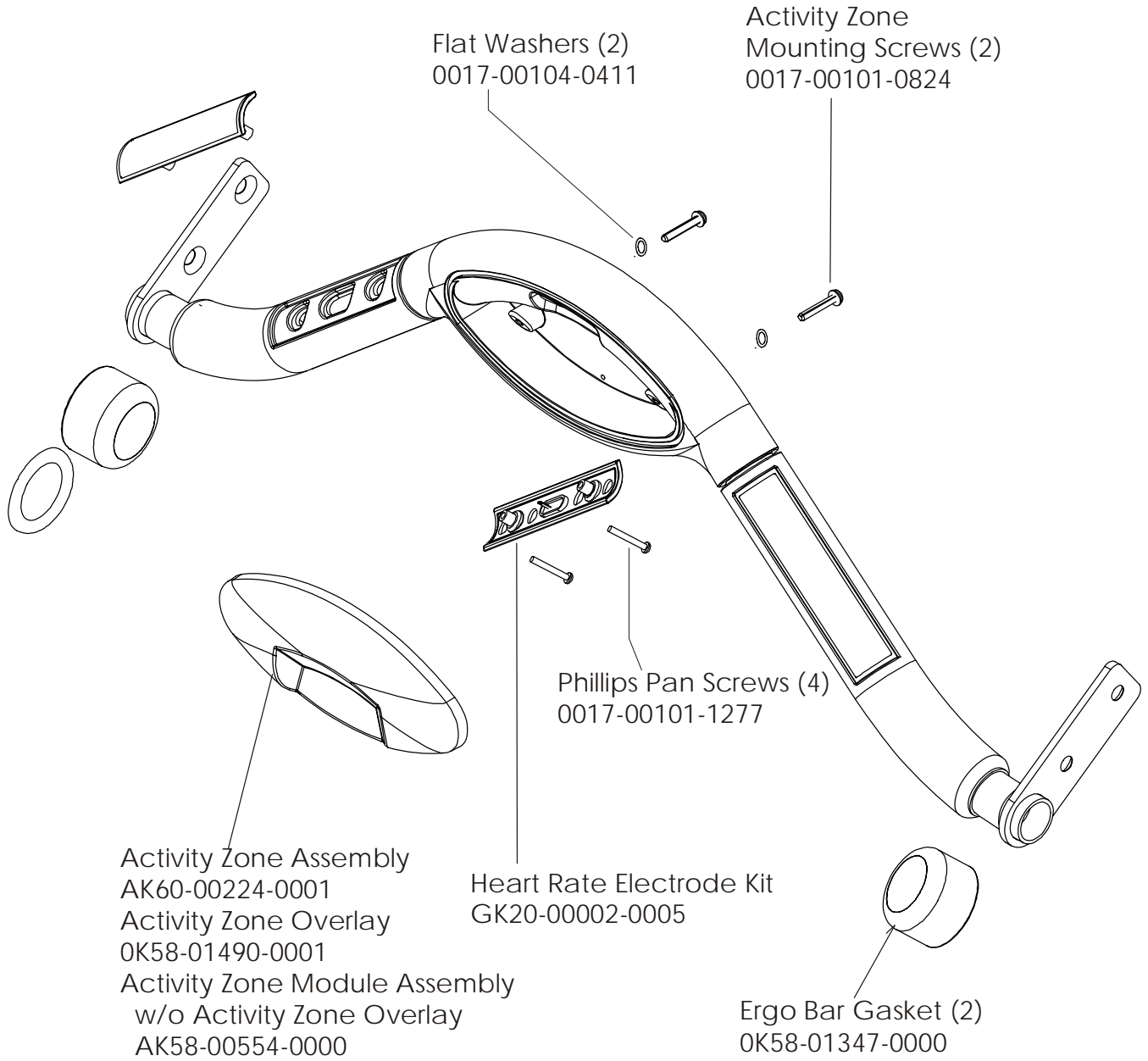
Lock Washer
0017-00104-0005

Hex Bolt
0017-00101-1632

Flat Washer
0017-00104-0330

Front Roller 3.5"
OK58-01001-0001

Ergo Bar w/Lifepulse
AK60-00216-0000



Model Number	Description	Line Cord
CST-0100-01	Club Series Treadmill; ENG/ENG 120/60 DOM	0017-00003-0985
CST-0101-01	Club Series Treadmill; ENG + MET 230/50 CON	0017-00003-0696
CST-0102-01	Club Series Treadmill; ENG+ MET; 240/50 UK	0017-00003-0890
CST-0104-01	Club Series Treadmill; ENG + MET; 240 + AUS	0017-00003-0996

Cable PN	Description	Model Used On
AK26-00346-0002	CBL-ASSY: JMPR;OUTLET/SW/BLK	All models
AK26-00347-0002	CBL-ASSY: JMPR;OUTLET/SW/WHT	All models
AK58-00027-0000	CBL-ASSY: ZERO-SWITCH	All models
AK58-00032-0000	CBL-ASSY: USER SENSE PROX.	All models
AK58-00034-0001	CBL-ASSY: CONSOLE; PWR; UPR	All models
AK58-00041-0001	CBL-ASSY: H/R SENSORS	All models
AK58-00224-0001	CBL-ASSY: MOV; FILTER	All models
AK58-00263-0000	CBL-ASSY: HI-POT JUMPER	All models
AK58-00522-0000	CBL-ASSY: JUMPER; POWER; LED-CONS	All models
AK60-00179-0000	HARNESS ASSY 120/60*	CST-0100-01
AK60-00179-0001	HARNESS ASSY 230/50**	CST-0101, 0102 & 0104-01
AK60-00180-0000	CBL-ASSY: POWER; T9; 120V	CST-0100-01
AK60-00181-0000	CBL-ASSY: POWER; T9; 31 IN. 200-240V	CST-0101, 0102 & 0104-01
AK58-00210-0000	XFRMR-BRKT ASSY: MFG.	CST-0101, 0102 & 0104-01
0017-00003-0626	CIRCUIT BREAKER: 2A	CST-0101-01 & 0102-01
111E-00001-0042	INDUCTOR: 15MH; 230V	CST-0101, 0102 & 0104-01
111E-00001-0041	INDUCTOR: 3MH; 120V	CST-0100-01

* AK60-00179-0000 consists of: 1) AK58-00224-0000, 2) AK58-00263-0000 and 3) AK60-00180-0000

** AK60-00179-0001 consists of: 1) AK58-00224-0000, 2) AK58-00263-0000 and 3) AK60-00181-0000