

Fisher-Price®

**C5352
Instructions**

www.fisher-price.com



Please keep this instruction sheet for future reference, as it contains important information.

Requires three "AA" (LR6) **alkaline** batteries (not included).

Adult assembly is required.

Tool required for assembly: Phillips screwdriver (not included).

Barbie™

Time to Cook™ Barbie™ Kitchen

Parts

⚠ CAUTION

This product contains small parts in its unassembled state. Adult assembly is required.



2 Refrigerator Sides



Window Assembly



Upper Shelf ▲



Lower Shelf ★



Oven Housing ★



Oven Door



Base



Microwave Housing ▲



Countertop



Plate Shelf



Microwave Door



Microwave Handle



Refrigerator Handle



Utensil Shelf



Refrigerator Door



Serving Tray



Oven Handle



Refrigerator Bottom



Long Post ★



Short Post ▲



Phone



Faucet Handle



Refrigerator Shelf



Faucet



Sink



3 Oven Knobs

Parts Not Shown

- 2 Forks
- 2 Spoons
- 2 Plates
- 2 Teacups
- 2 Clock Cards
- Spatula
- Large Spoon
- Skillet
- Bowl
- Pitcher
- Pitcher Lid
- Cake Slice
- Cookie
- Pizza Slice
- Sandwich
- Chicken Leg
- Label Sheet

Fasteners Shown Actual Size



#8 x 3/4" Screw - 28

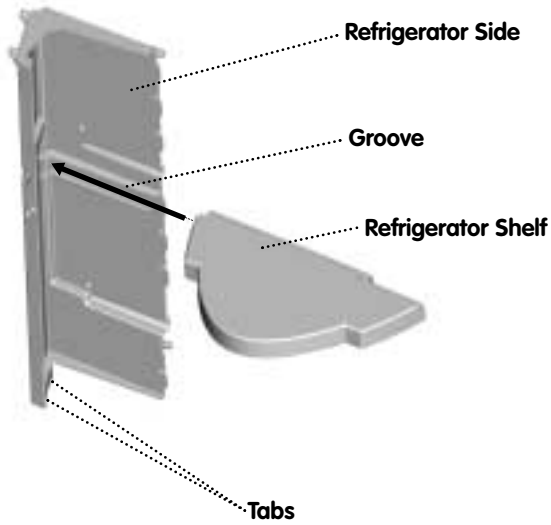


#8 x 1 3/4" Screw - 2

Note: Tighten or loosen all screws with a Phillips screwdriver. Do not over-tighten the screws.

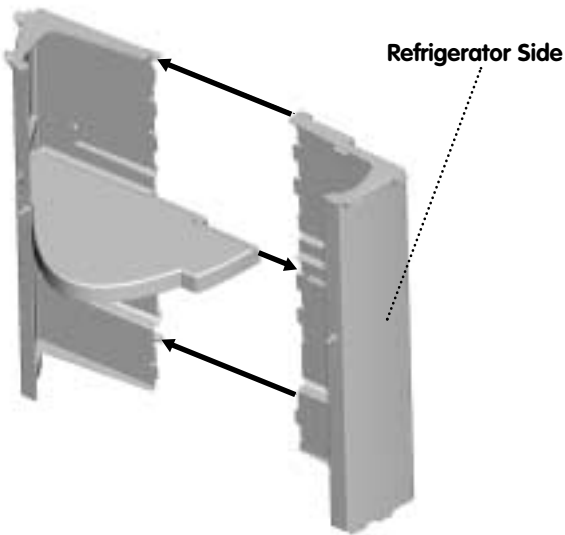
Assembly

1



- Position refrigerator side with the tabs down.
- Slide the refrigerator shelf (ribbed side down) into the groove in the refrigerator side.

2



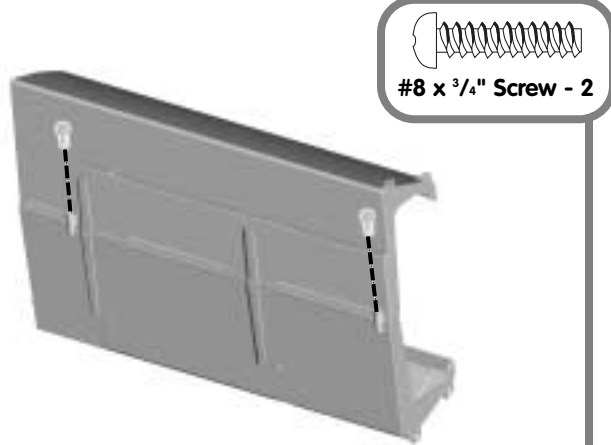
- Fit the other refrigerator side to the shelf and refrigerator side assembly.

3



- Insert two #8 x 3/4" screws into the refrigerator assembly and tighten.

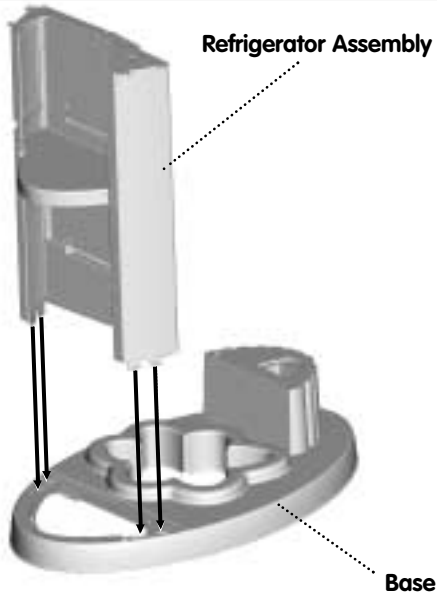
4



- Position the refrigerator assembly on its side. Insert two #8 x 3/4" screws into the holes on the back of the refrigerator assembly, as shown. Tighten the screws.

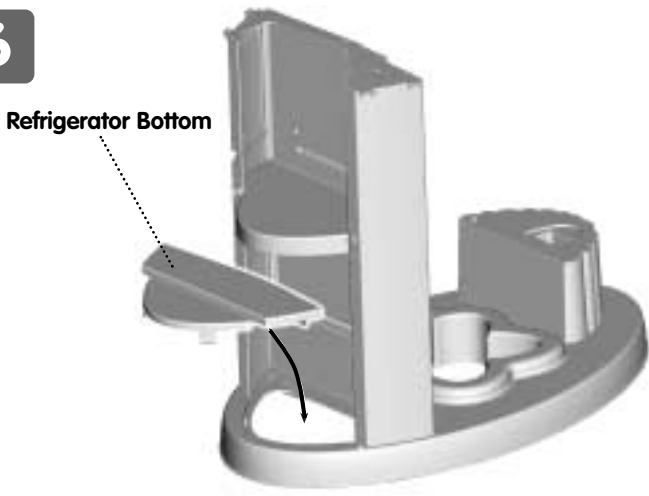
Assembly

5



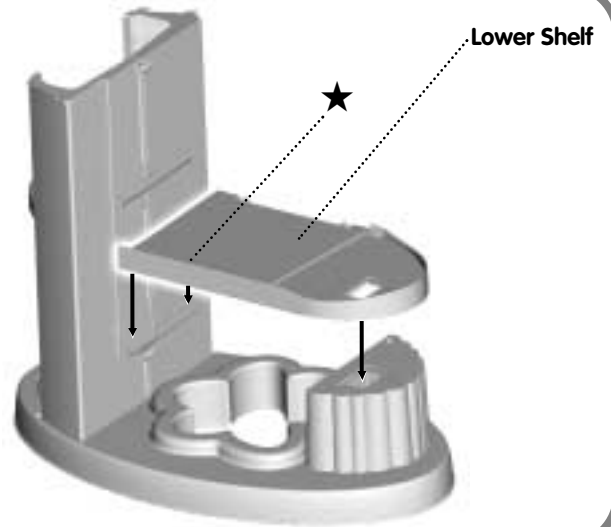
- “Snap” the refrigerator assembly into the base.
- Pull up on the refrigerator assembly to be sure it is secure.

6



- “Snap” the refrigerator bottom into the base, as shown.

7



- Locate the lower shelf, marked with a ★. Position the lower shelf with the ribbed side down.
- Fit the lower shelf onto the base, as shown.

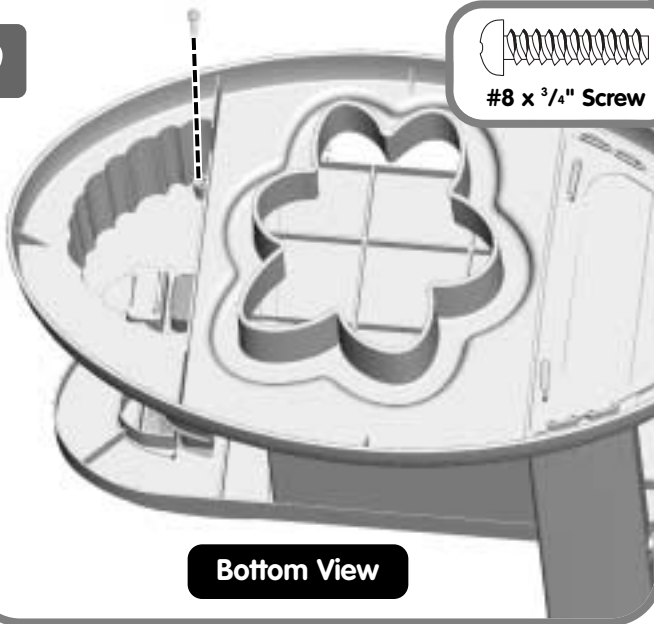
8



- Insert a #8 x 3/4" screw into the lower hole inside the refrigerator assembly, as shown.
- Tighten the screw to secure the lower shelf.

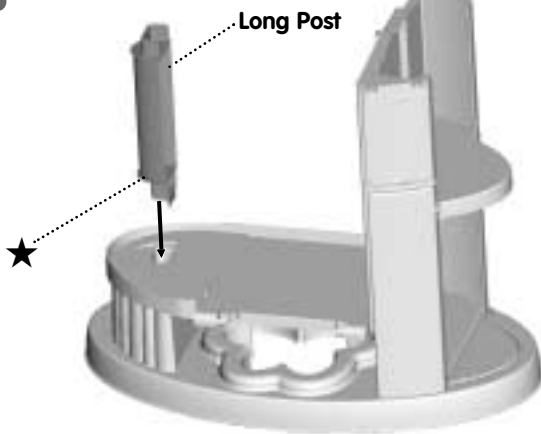
Assembly

9



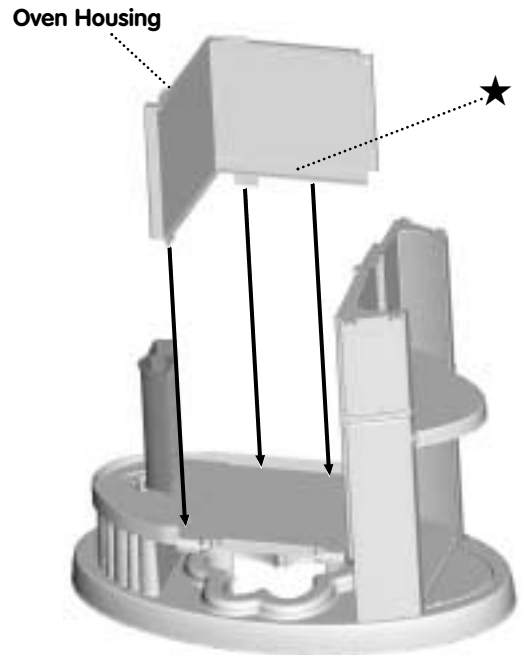
- Turn the assembly over so the bottom is facing you.
- Insert one #8 x 3/4" screw into the post in the base, as shown.
- Tighten the screw to secure the lower shelf.
- Turn the assembly upright.

10



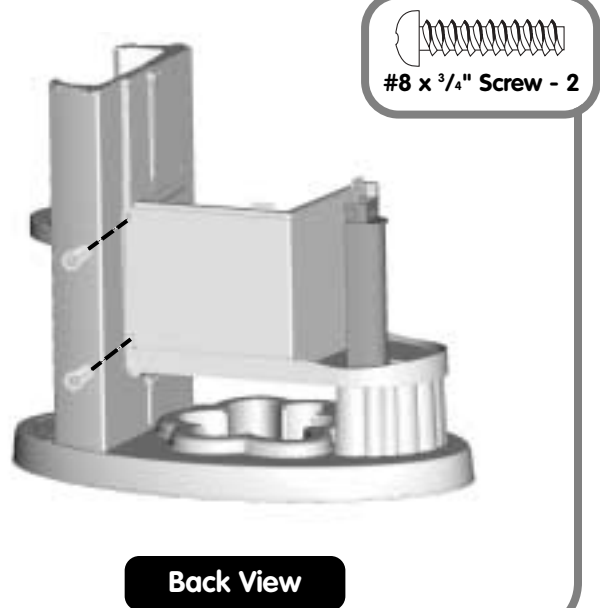
- "Snap" the long post, marked with a ★, into the lower shelf.

11



- "Snap" the oven housing, marked with a ★, into the lower shelf, as shown.

12

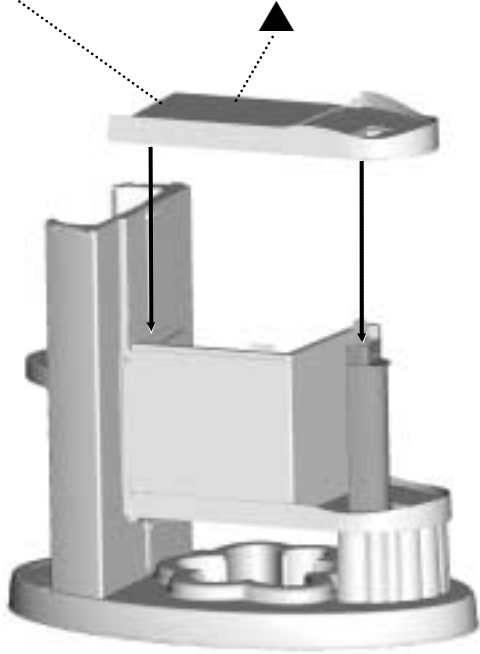


- From the back of the toy, insert two #8 x 3/4" screws into the oven housing and tighten.

Assembly


13

Upper Shelf



- Locate the upper shelf, marked with a ▲. Position the upper shelf with the ribbed side down.
- Fit the upper shelf onto the long post and oven housing, as shown.

14


#8 x 3/4" Screw

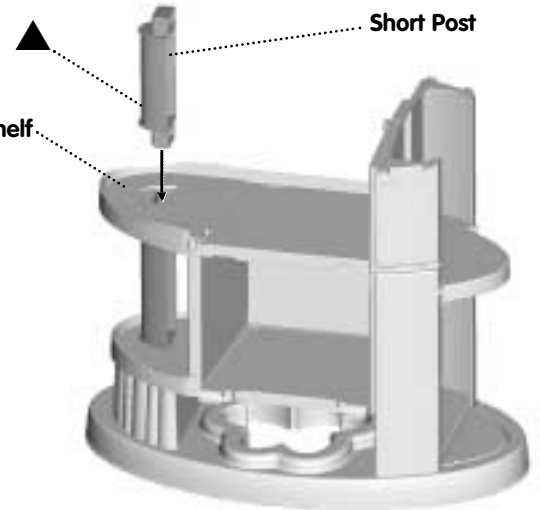


- Insert a #8 x 3/4" screw into the upper hole inside the refrigerator assembly, as shown.
- Tighten the screw to secure the upper shelf.

15

Short Post

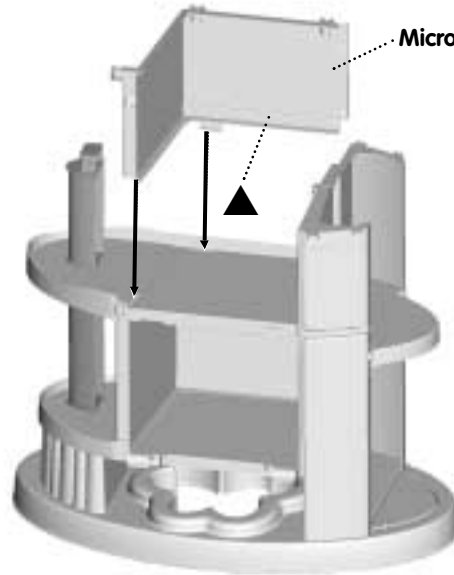
Upper Shelf



- "Snap" the short post, marked with a ▲, into the upper shelf.

16

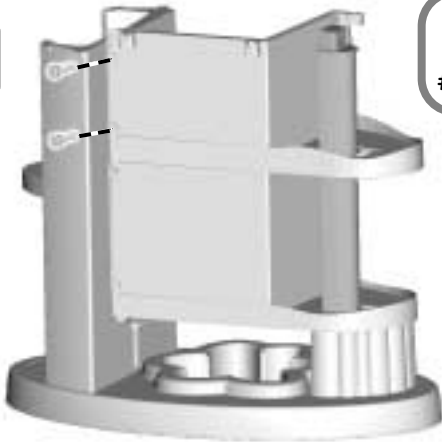
Microwave Housing



- "Snap" the microwave housing, marked with a ▲ into the upper shelf, as shown.

Assembly

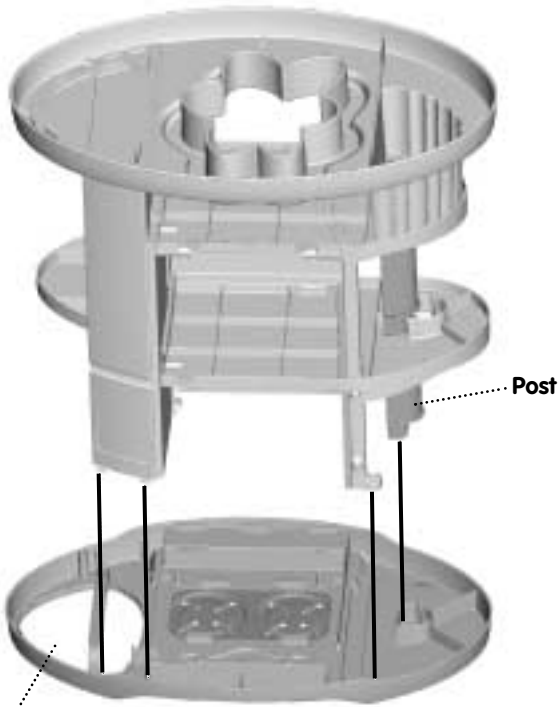
17



#8 x 3/4" Screw - 2

- From the back of the toy, insert two #8 x 3/4" screws into the microwave housing. Tighten the screws to secure the microwave housing.

18

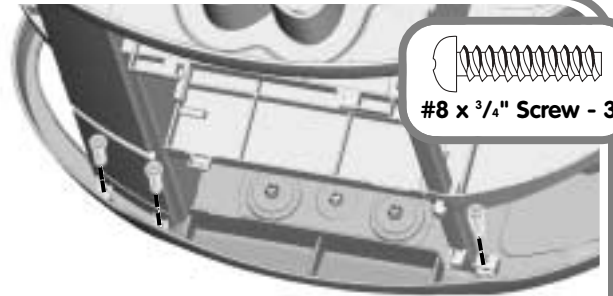


Countertop
Large Opening

Bottom View

- Place the countertop on a flat surface with the ribbed side facing up and the large opening to the left.
- Position the main assembly upside down over the countertop with the posts to the right.
- **"Snap"** the main assembly into the countertop as shown.

19

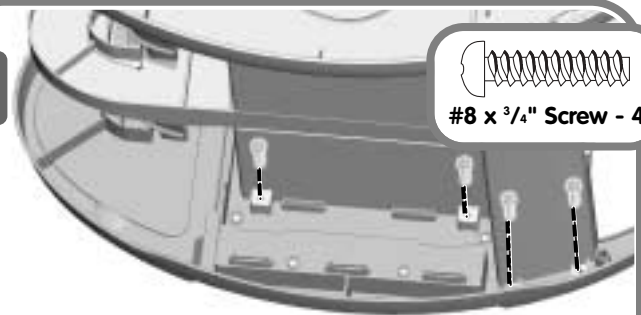


#8 x 3/4" Screw - 3

Bottom View

- With the front of the assembly facing you, insert three #8 x 3/4" screws through the main assembly and into the countertop.
- Tighten the screws to secure the countertop.

20



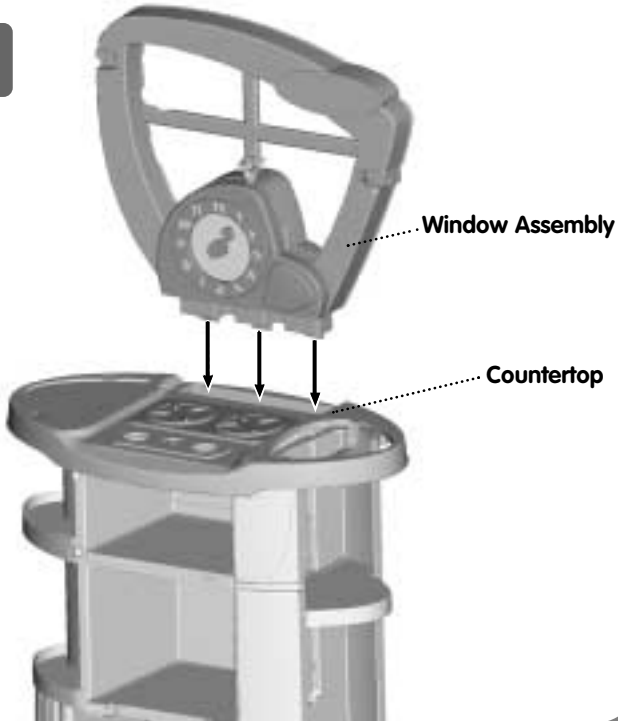
#8 x 3/4" Screw - 4

Bottom View

- Turn the assembly around so the back of the assembly is facing you.
- Insert four #8 x 3/4" screws through the main assembly and into the countertop. Tighten the screws to secure the countertop.
- Turn the assembly upright.

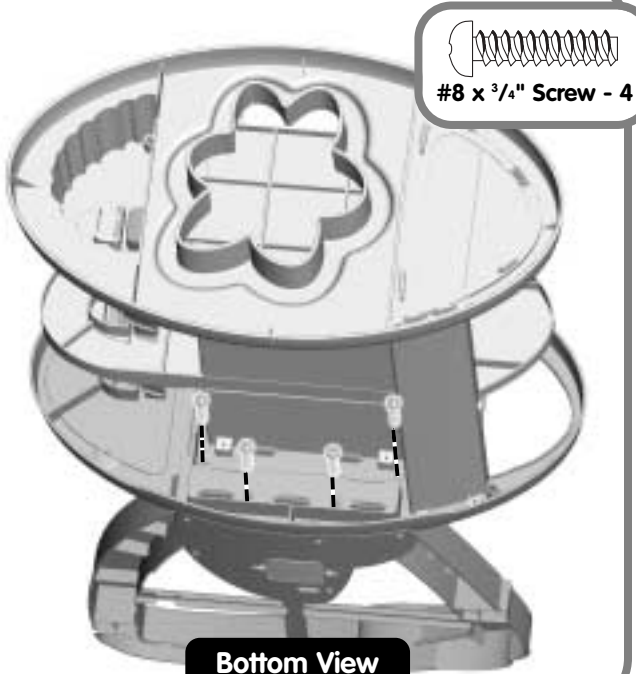
Assembly

21



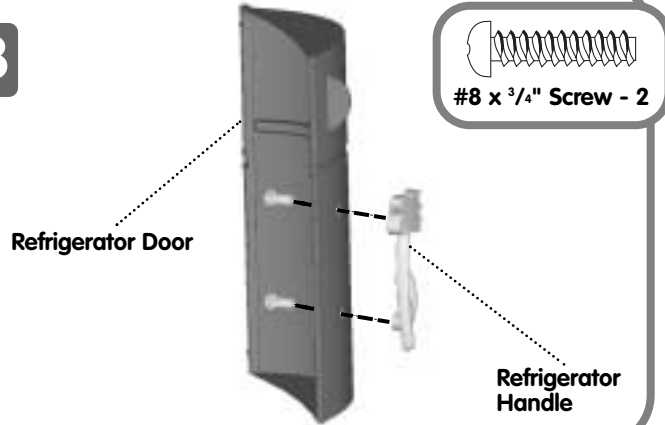
- “Snap” the window assembly into the slots in the countertop.

22



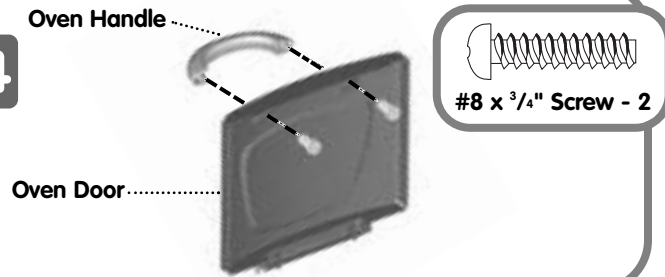
- Turn the assembly over so the bottom is facing you.
- Insert four #8 x 3/4" screws through the main assembly and into the window assembly, as shown.
- Tighten the screws to secure the window assembly.
- Turn the assembly upright.

23



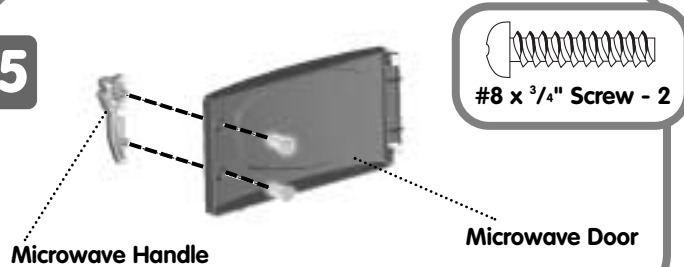
- Fit the refrigerator handle to the refrigerator door and hold it in place.
- Insert two #8 x 3/4" screws through the refrigerator door and into the refrigerator handle.
- Tighten the screws to secure the refrigerator handle.

24



- Fit the oven handle to the oven door and hold it in place.
- Insert two #8 x 3/4" screws through the oven door and into the oven handle.
- Tighten the screws to secure the oven handle.

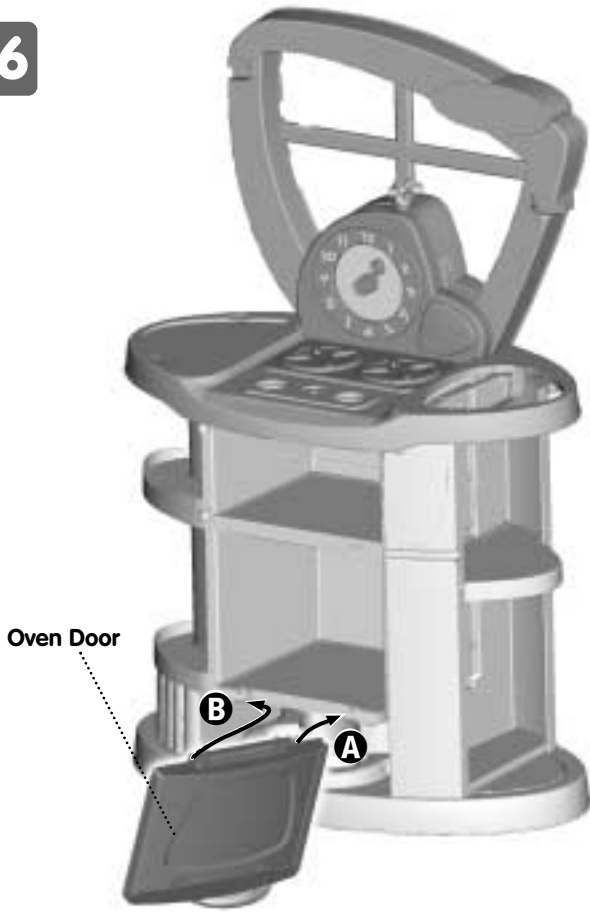
25



- Fit the microwave handle to the microwave door and hold it in place.
- Insert two #8 x 3/4" screws through the microwave door and into the microwave handle.
- Tighten the screws to secure the microwave handle.

Assembly

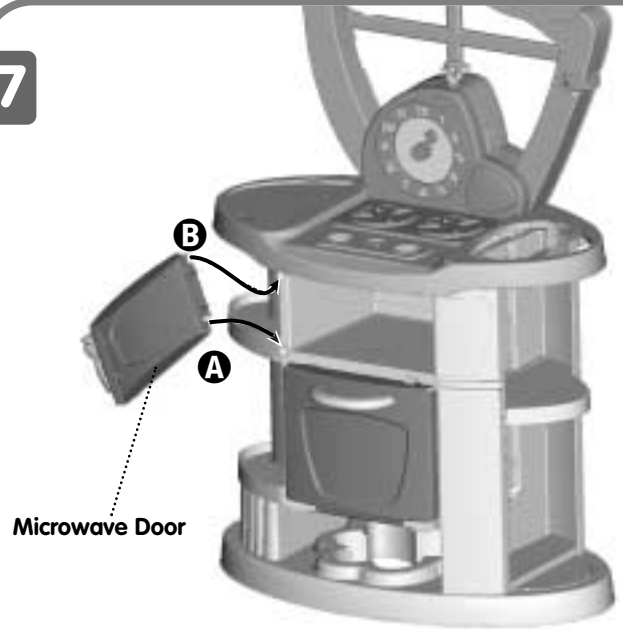
26



Oven Door

- At an angle, fit the right oven door peg into the right hole in the main assembly **A**.
- Then, “**snap**” the left door peg into the left hole in the main assembly **B**.

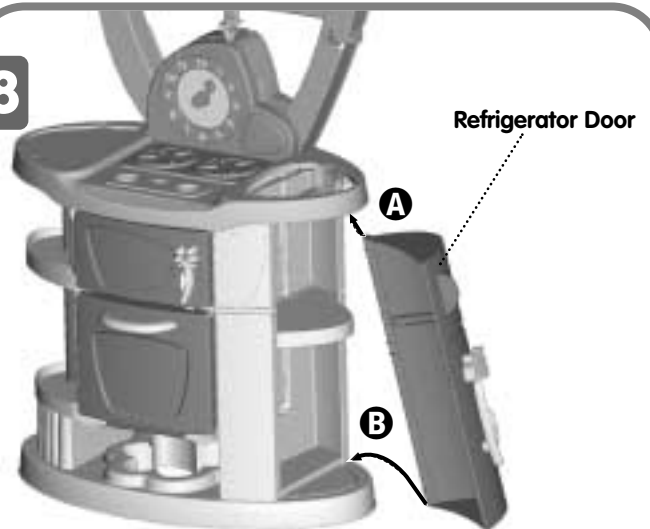
27



Microwave Door

- At an angle, fit the lower microwave door peg into the lower hole in the main assembly **A**.
- Then, “**snap**” the upper microwave door peg into the upper hole in the main assembly **B**.

28

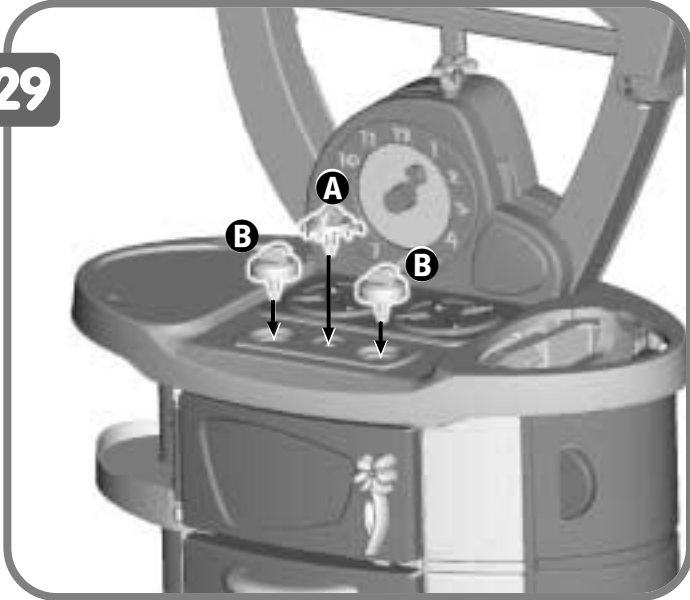


Refrigerator Door

- At an angle, fit the upper refrigerator door peg into the upper hole in the main assembly **A**.
- Then, “**snap**” the lower refrigerator door peg into the lower hole in the main assembly **B**.

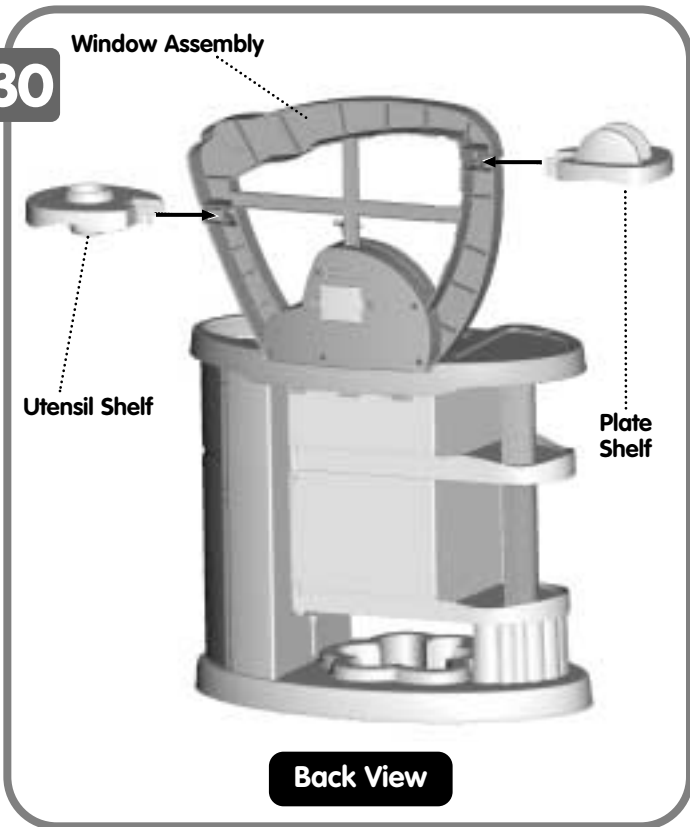
Assembly

29



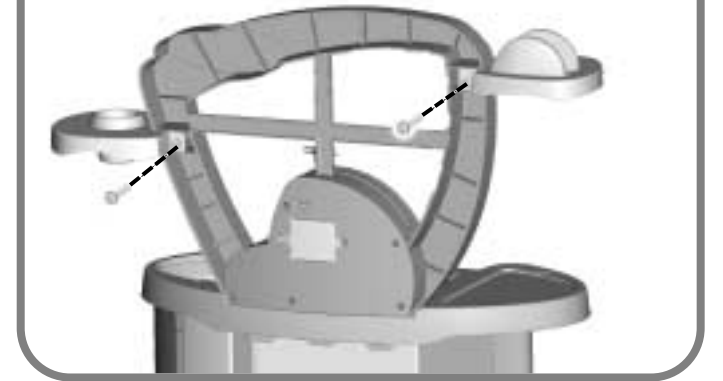
- First, “snap” the large flower oven knob into the center hole in the countertop **A**.
- Then, “snap” the remaining two oven knobs into the holes on either side of the large flower oven knob **B**.

30



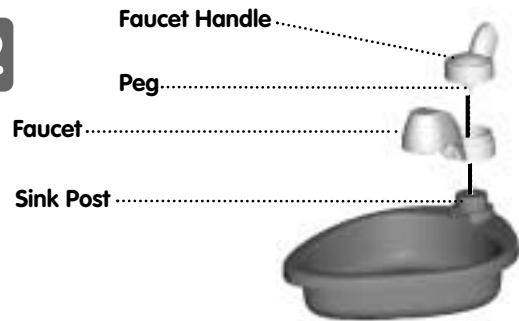
- Position the assembly so the back side is facing you.
- Fit the utensil shelf to the window assembly, as shown.
- Fit the plate shelf to the window assembly, as shown.

31



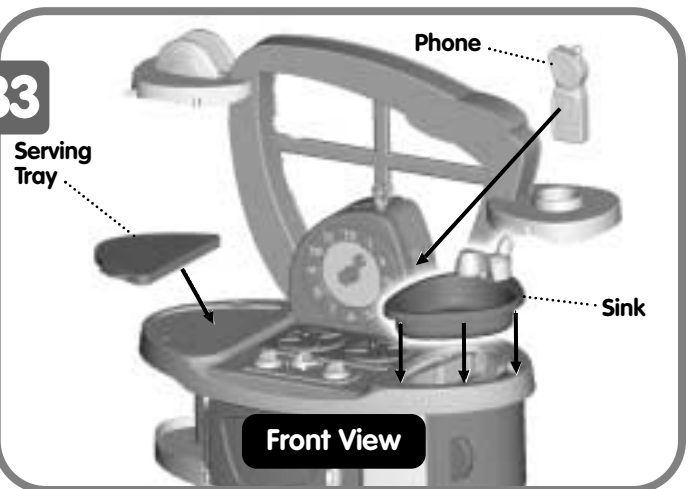
- Insert a #8 x 1 3/4" screw into each shelf.
- Tighten the screws to secure the shelves.

32



- Fit the hole in the faucet over the post on the sink as shown.
- Insert and “snap” the peg on the bottom of the faucet handle into the sink post.

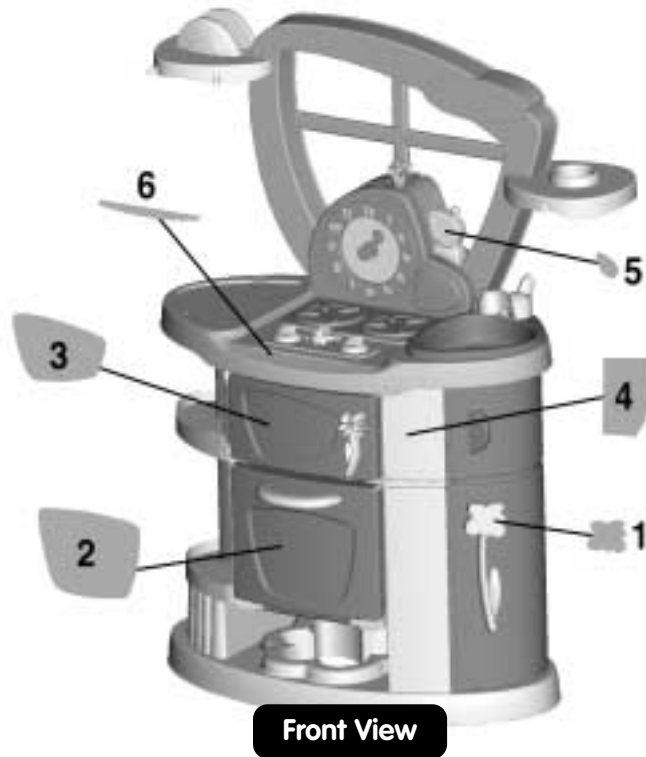
33



- Place the sink in the large opening in the countertop.
- Place the phone in the opening on the side of the clock.
- Place the serving tray onto the countertop.

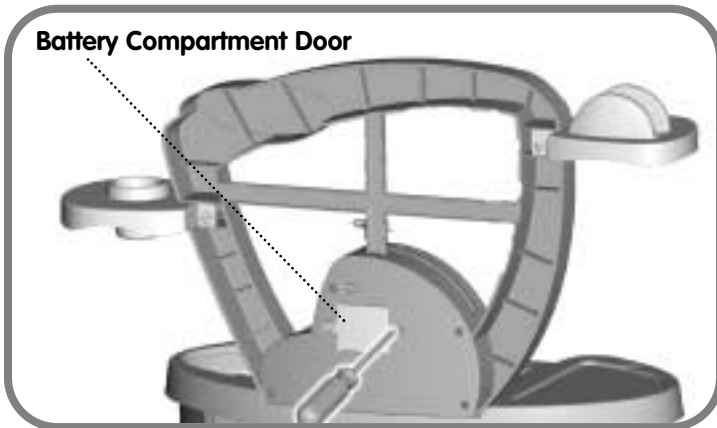
Label Decorations

- Apply the labels as shown in the illustration.
- For best results, wash your hands before applying the labels and make sure the areas to which the labels will be applied are clean and dry. Avoid repositioning a label once it has been applied.



Battery Installation

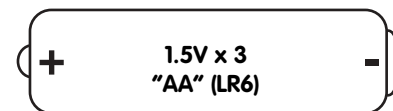
Battery Compartment Door



- Locate the battery compartment on the back of the window assembly.
- Loosen the screws in the battery compartment door with a Phillips screwdriver. Remove the battery compartment door.
- Insert three "AA" (LR6) **alkaline** batteries, as indicated inside the battery compartment.

Hint: We recommend using **alkaline** batteries for longer life.

- Replace the battery compartment door and tighten the screws.
- When sounds from this toy become faint or stop, it's time for an adult to change the batteries!



Shown Actual Size

Battery Safety Information

Batteries may leak fluids that can cause a chemical burn injury or ruin your toy. To avoid battery leakage:

- Do not mix old and new batteries or batteries of different types: alkaline, standard (carbon-zinc) or rechargeable (nickel-cadmium).
- Insert batteries as indicated inside the battery compartment.
- Remove batteries during long periods of non-use. Always remove exhausted batteries from the toy. Dispose of batteries safely. Do not dispose of batteries in a fire. The batteries may explode or leak.
- Never short-circuit the battery terminals.
- Use only batteries of the same or equivalent type, as recommended.
- Do not charge non-rechargeable batteries.
- Remove rechargeable batteries from the toy before charging.
- If removable, rechargeable batteries are used, they are only to be charged under adult supervision.

Prepare, Serve & Celebrate with Barbie®!

You can press the flower button with no clock cards inserted to hear about everyday meals and themes.

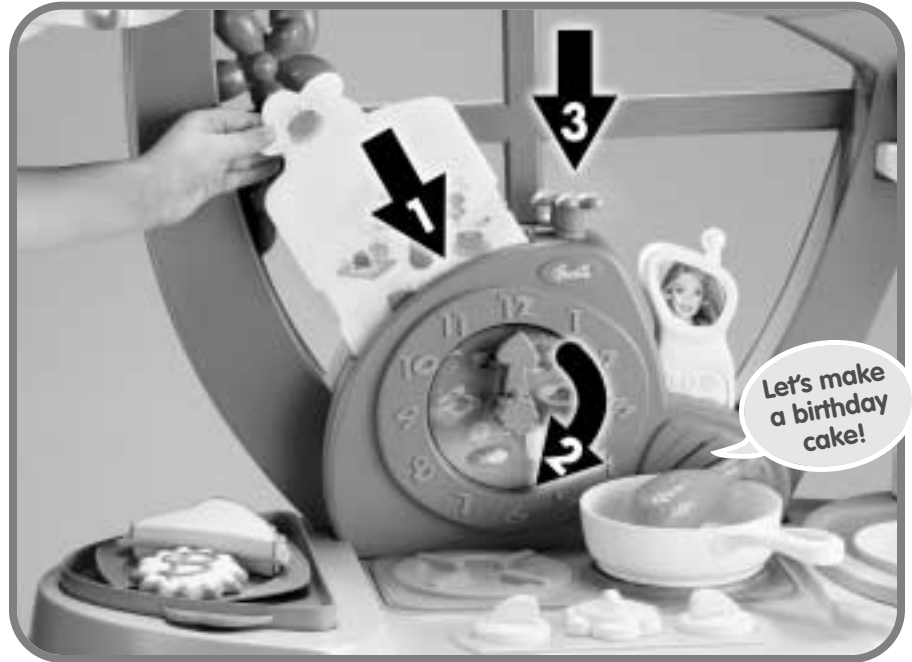
1 Insert one of the clock cards into the front slot on the Special Times™ Clock.

2 Turn the clock dial to one of the theme pictures on the card.

3 Press the flower button on top of the Special Times™ Clock to hear Barbie®!
Barbie® talks about the theme you've chosen on your the clock card.

Hints:

- Both clock cards feature two sides with fun themes: Birthday Parties, Tea Parties, Sleepovers and Picnics.
- Store your clock cards in the back slot on the Special Times™ Clock.
- Press the flower button, then remove the phone to hear a special greeting from Barbie®.



Consumer Information

Care

- Before using the cooking and eating utensils, hand wash them in hot, soapy water.
- Check the plastic parts regularly and if broken or cracked, dispose of them properly.
- Wipe this toy with a clean cloth dampened with a mild soap and water solution. Do not immerse this toy.
- This toy has no consumer serviceable parts. Do not take this toy apart.

Questions? We'd like to hear from you!

Call Fisher-Price® Consumer Relations, toll-free at **1-800-432-5437**, 8 AM - 6 PM EST Monday through Friday. Hearing-impaired consumers using TTY/TDD equipment, please call 1-800-382-7470. Or, write to: Fisher-Price® Consumer Relations, 636 Girard Avenue, East Aurora, New York 14052.

For countries outside the United States:

CANADA Questions? 1-800-567-7724. Mattel Canada Inc., 6155 Freemont Blvd., Mississauga, Ontario L5R 3W2.

GREAT BRITAIN Mattel UK Ltd, Vanwall Business Park, Maidenhead SL6 4UB. Helpline: 01628 500302.

AUSTRALIA Mattel Australia Pty. Ltd., 658 Church Street, Locked Bag #870, Richmond, Victoria 3121 Australia. Consumer Advisory Service 1300 135 312.

NEW ZEALAND 16-18 William Pickering Drive, Albany 1331, Auckland.

ASIA Mattel East Asia Ltd, Room 1106, South Tower, World Finance Centre, Harbour City, Tsimshatsui, HK, China.

FCC Note (United States Only)

Note: This equipment has been tested and found to comply with the limits for a Class B digital device, pursuant to Part 15 of the FCC Rules. These limits are designed to provide reasonable protection against harmful interference in a residential installation. This equipment generates, uses and can radiate radio frequency energy and, if not installed and used in accordance with the instructions, may cause harmful interference to radio communications. However, there is no guarantee that interference will not occur in a particular installation. If this equipment does cause harmful interference to radio or television reception, which can be determined by turning the equipment off and on, the user is encouraged to try to correct the interference by one or more of the following measures:

- Reorient or relocate the receiving antenna.
- Increase the separation between the equipment and receiver.
- Consult the dealer or an experienced radio/TV technician for help.

Note: Changes or modifications not expressly approved by the manufacturer responsible for compliance could void the user's authority to operate the equipment.