

Emerson[®]

Survivor

***Rechargeable Flashlight
with AM/FM/TV Sound,
Instant Weather Radio,
Digital Alarm Clock,
and Night Light***

OWNER'S MANUAL

RP3228 (Black)

RP3228SL (Silver)

Visit our web site at www.emersonradio.com



CAUTION

TO PREVENT FIRE OR SHOCK HAZARD, DO NOT USE THIS PLUG WITH AN EXTENSION CORD, RECEPTACLE OR OTHER OUTLET UNLESS THE BLADES CAN BE FULLY INSERTED TO PREVENT BLADE EXPOSURE. TO PREVENT FIRE OR SHOCK HAZARD, DO NOT EXPOSE THIS APPLIANCE TO RAIN OR MOISTURE.



The lightning flash with arrow-head symbol, within an equilateral triangle is intended to alert the user to the presence of uninsulated 'dangerous voltage' within the product's enclosure that may be of sufficient magnitude to constitute a risk of electric shock to persons.

CAUTION

RISK OF ELECTRIC SHOCK
DO NOT OPEN

WARNING: TO REDUCE THE RISK OF ELECTRIC SHOCK DO NOT REMOVE COVER (OR BACK), NO USER SERVICEABLE PARTS INSIDE REFER SERVICING TO QUALIFIED SERVICE PERSONNEL.



The exclamation point within an equilateral triangle is intended to alert the user to the presence of important operating and maintenance (servicing) instructions in the literature accompanying the appliance.

IMPORTANT SAFETY INSTRUCTIONS

- 1.) Read these instructions.
- 2.) Keep these instructions.
- 3.) Heed all warnings.
- 4.) Follow all instructions.
- 5.) Do not use this apparatus near water.
- 6.) Clean only with dry cloth.
- 7.) Do not block any ventilation openings. Install in accordance with the manufacturer's instructions.
- 8.) Do not install near any heat sources such as radiators, heat registers, stoves, or other apparatus (including amplifiers) that produce heat.
- 9.) Do not defeat the safety purpose of the polarized or grounding-type plug. A polarized plug has two blades with one wider than the other. A grounding type plug has two blades and a third grounding prong. The wide blade or the third prong is provided for your safety. If the provided plug does not fit into your outlet, consult an electrician for replacement of the obsolete outlet.
- 10.) Protect the power cord from being walked on or pinched particularly at plugs, convenience receptacles, and the point where they exit from the apparatus.
- 11.) Only use attachments / accessories specified by the manufacturer.
- 12.) Unplug this apparatus during lightning storms or when unused for long periods of time.
- 13.) Refer all servicing to qualified service personnel. Servicing is required when the apparatus has been damaged in any way, such as power-supply cord or plug is damaged, liquid has been spilled or objects have fallen into the apparatus, the apparatus has been exposed to rain or moisture, does not operate normally, or has been dropped.
- 14.) This appliance shall not be exposed to dripping or splashing water and no object filled with liquids such as vases shall be placed on the apparatus.
- 15.) Do not overload wall outlet. Use only power source as indicated.
- 16.) Use replacement parts as specified by the manufacturer.
- 17.) The product may be mounted to a wall only if recommended by the manufacturer.
- 18.) Upon completion of any service or repairs to this product, ask the service technician to perform safety checks.



IMPORTANT!

CONNECT THIS UNIT TO AN AC OUTLET

FOR 24 HOURS TO FULLY CHARGE THE

BATTERIES BEFORE FIRST USE

Thank You.....

For purchasing this Emerson multi-function rechargeable flashlight/radio combination. This unique device is designed for connection directly to your household AC outlet, and it includes a built-in rechargeable Ni-Cad battery pack so that it is always ready to use in case of a power failure. Not only does it provide you with an emergency light source but it also has a built-in radio that receives AM and FM broadcasts, the sound from VHF TV channels 2-13, plus continuous U.S. Government weather information for your geographic area, 24 hours a day, at the touch of a button. There's even a built-in digital alarm clock with lighted liquid crystal display, and a night light that switches 'On' and 'Off' automatically according to your room light conditions.

Our engineers have included many useful features in this Emerson *Survivor* flashlight radio combination. Please be sure to read this owner's manual completely and carefully, to make sure you fully understand the operation of this product, and that you get the maximum benefit from all the features we have included.

We have taken great care to insure that this product was in perfect working order when it left our factory. After reading this manual, if you have any difficulty with the operation of this product, please do not return it to the dealer or retail store. Please contact the Emerson Customer Service Hotline, toll free, at 1-800-898-9020.

The hours of operation are 8:00 AM to 5:00 PM (Central Time) Monday through Friday. One of our service technicians will try to correct the problem for you. If that is not possible you will be advised how to obtain repair service or a replacement unit.

Once again, thanks for purchasing this Emerson Audio Product.

Model No: RP3228/RP3228SL

Serial No: _____



IMPORTANT NOTES

- Operate controls and switches as described in the manual.
- Avoid installing this unit in places exposed to direct sunlight or close to heat radiating appliances such as electric heaters, on top of other stereo equipment that radiates too much heat, places lacking ventilation or dusty areas, places subject to constant vibration and/or humid or moist areas.

NOTE: *The manufacturer is not responsible for any radio or TV interference caused by unauthorized modifications to this equipment. Such modifications could void the User's authority to operate the equipment.*

FCC INFORMATION

This equipment has been tested and found to comply with the limits for a Class B digital device, pursuant to Part 15 of the FCC Rules. These limits are designed to provide reasonable protection against harmful interference in a residential installation. This equipment generates, uses, and can radiate radio frequency energy and, if not installed and used in accordance with the instructions, may cause harmful interference to radio communications. However, there is no guarantee that interference will not occur in a particular installation. If this equipment does cause harmful interference to radio or television reception, which can be determined by turning the equipment off and on, the user is encouraged to try to correct the interference by one or more of the following measures:

- Reorient or relocate the receiving antenna.
- Increase the separation between the equipment and receiver.
- Connect the equipment into an outlet on a circuit different from that to which the receiver is connected.
- Consult the dealer or an experienced radio/TV technician for help.

This device complies with Part 15 of the FCC Rules. Operation is subject to the following two conditions:

- (1) This device may not cause harmful interference, and
- (2) This device must accept any interference received, including interference that may cause undesired operation.



PREPARATION FOR USE

IMPORTANT!

This flashlight/radio has built in rechargeable Ni-Cd batteries. The batteries were fully charged when they were installed in the unit at our factory. However, when not connected to an AC outlet the batteries will slowly discharge even though the unit is not being used. We suggest that you connect this unit to your AC outlet and allow it to charge for 24 hours, or at least over-night, before you use it.

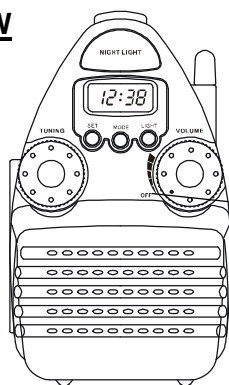
When the built in batteries are fully charged you can expect approximately 5 hours of flashlight operation, or 7 hours of radio operation at medium volume level. Of course if you are using the flashlight and the radio simultaneously the operating time of each function will be reduced.

Connecting To An AC Outlet

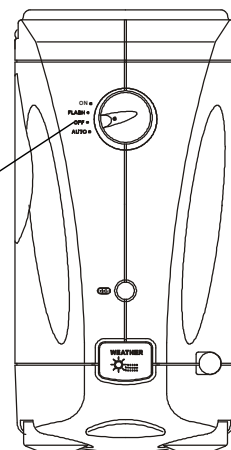
Before using this unit for the first time it should be connected to a "live" AC outlet and allowed to charge for 24 hours. We suggest that you do not connect this unit to an AC outlet that is connected to a wall switch. To insure that the unit is always fully charged and ready to use it should be connected to an AC outlet that is always "live".

For faster charging time make sure that the flashlight switch is set to the 'OFF' position and that the radio **On/OFF-VOLUME** control is also in the 'OFF' position. Turn this control fully counter-clockwise until a 'click' is heard to insure that it is off.

FRONT VIEW

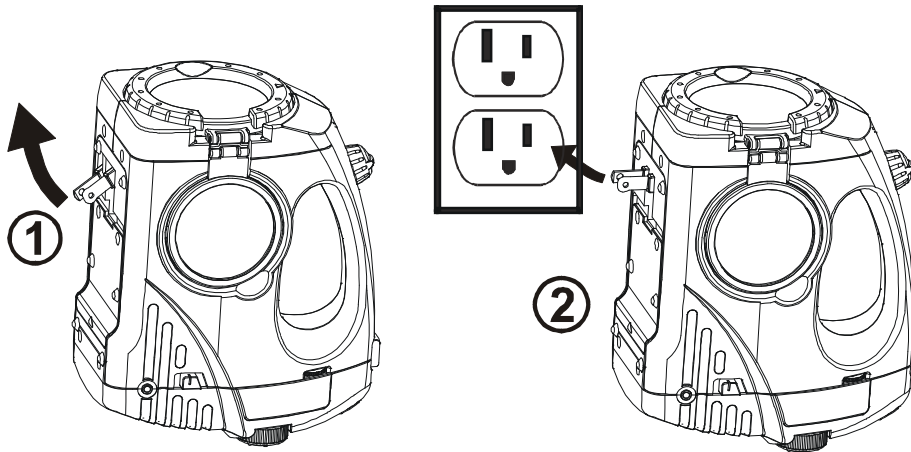


TOP VIEW



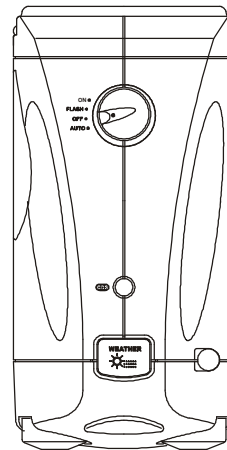


To connect this unit to your AC outlet unfold the built-in AC plug located on the bottom cabinet as shown and connect to your outlet.



Note: This device has a polarized plug and can only be connected to a normal polarized residential/household polarized outlet with the wider slot on the left side. This is a safety feature.

When properly connected to the outlet the flashlight will be facing upward toward the ceiling and the nightlight will be facing downward toward the floor.

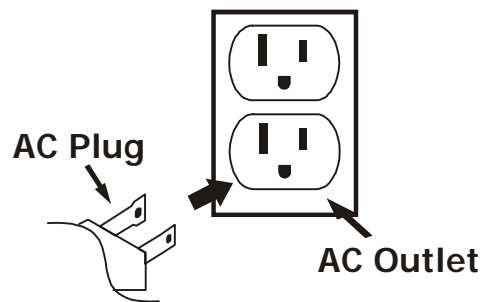




Power Source

This device is designed to operate on normal 120V 60Hz AC power only. Do not attempt to operate the radio on any other power source. You could cause damage to the device that is not covered by your warranty.

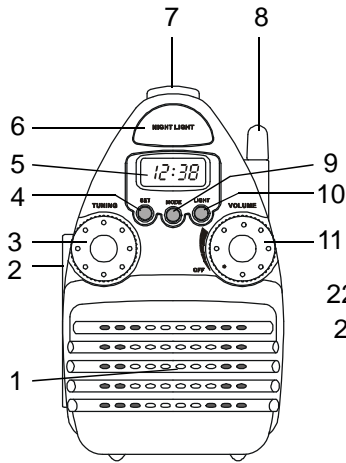
If the plug will not fit, you may have an older non-polarized AC outlet. Do not defeat the safety feature by trying to file the wider blade, or replacing the plug. Contact an electrician to replace your outdated outlet.



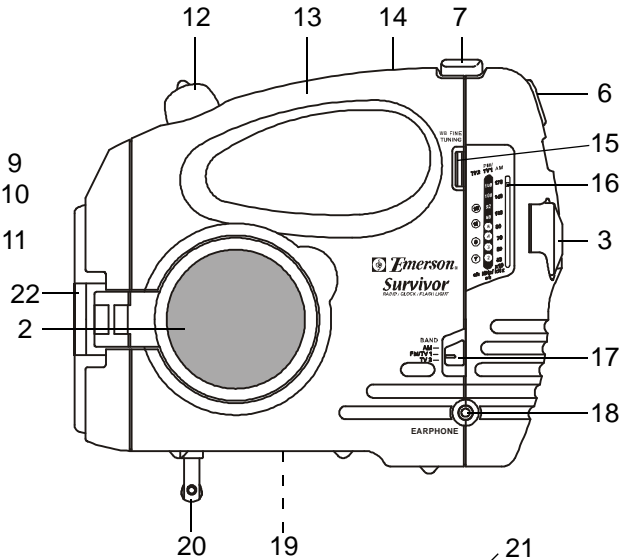


LOCATION OF CONTROLS AND INDICATORS

FRONT PANEL

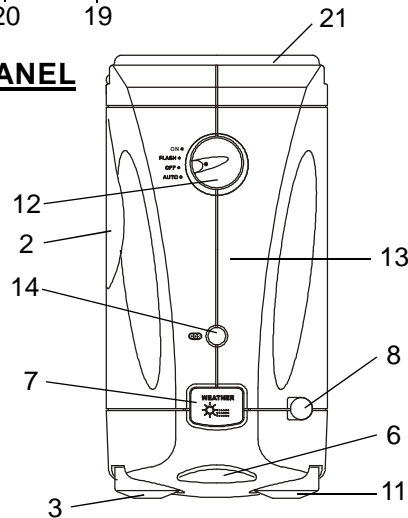


LEFT SIDE PANEL



- 1.) Speaker.
- 2.) Flashlight Red Cover.
- 3.) **TUNING** Control.
- 4.) Clock **SET** Button.
- 5.) LCD Clock.
- 6.) **NIGHT LIGHT**.
- 7.) **WEATHER** Band Button.
- 8.) Telescopic Antenna.
(FM/TV/Weather Bands)
- 9.) Clock **MODE** Button.
- 10.) Back **LIGHT** Button.
- 11.) **VOLUME** Control.
Power On/**OFF** Switch.
- 12.) Function Selector Switch.
(**ON/FLASH/OFF/AUTO**)
- 13.) Carrying Handle.
- 14.) **CDS** Sensor.
- 15.) **WB FINE TUNING** Control.
- 16.) Dial Pointer.

TOP PANEL



- 17.) Band Selector Switch.
(**AM-FM/TV 1-TV 2**)
- 18.) **EARPHONE** Jack.
- 19.) Rechargeable Battery compartment.
(Bottom Cabinet)
- 20.) AC Polarized Plug. (Unfolded)
- 21.) Torch.

7



OPERATING INSTRUCTIONS

Flashlight Operation

The flashlight has 3 operating modes:

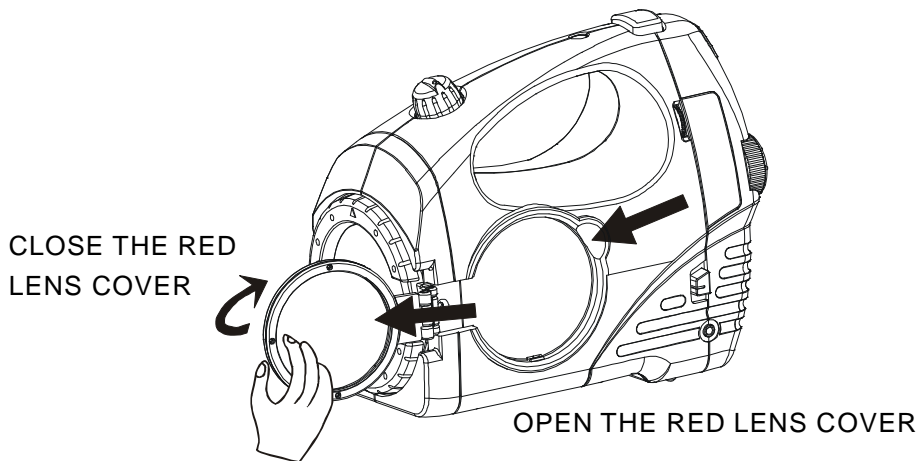
ON – When the flashlight control switch is set to the '**ON**' position, the light is "on" constantly.

FLASH – When the flashlight control switch is set to the '**FLASH**' position the light flashes on and off continuously.

AUTO – When the flashlight control switch is set to the '**AUTO**' position and the unit is connected to the AC outlet, the flashlight will turn 'On' automatically if the AC power is interrupted, either by a power failure, or by disconnecting the unit from the wall outlet.

The flashlight control switch should always be set to either the '**OFF**' position or the '**AUTO**' position while the flashlight is connected to the AC outlet for recharging.

If required you can also use the built in red lens cover so that the flashlight can be used as an emergency flasher. Lift the red lens cover from its storage position as shown and swing it over the front of the flashlight lens.



After use, swing the red lens cover back to its storage position and press down on the cover until you hear a 'click' and the cover is locked in place.



Night Light

This unit includes a built-in Night Light with automatic light sensor that turns the Night Light on and off automatically when needed.

To prevent unnecessary battery drain, the Night Light only operates when the unit is connected to the AC outlet.





Radio Operation

- 1.) Turn on the radio by rotating the **VOLUME** control clockwise.
- 2.) Slide the Band Selector switch to select the desired band (**AM**, **FM/TV 1** or **TV 2**).
 - Select **AM** to tune AM radio stations.
 - Select **FM/TV 1** to tune FM radio stations and TV channels 2 through 6.
 - Select **TV 2** to tune TV channels 7 through 13.
- 3.) Tune the desired station by rotating the **TUNING** control.
- 4.) Adjust the **VOLUME** control as desired.
- 5.) To turn the unit off, rotate the **VOLUME** control counterclockwise until a click sound is heard.

Weather Band Operation

This radio receives continuous U.S. Government Weather Broadcasts from the National Oceanic and Atmospheric Administration (NOAA), part of the Department of Commerce. This National Weather Radio service includes more than 750 transmitters covering all 50 states and adjacent coastal waters, Puerto Rico, the U. S. Virgin Islands, and the U.S. Pacific Territories. The weather broadcasts are transmitted on seven separate bands from **162.400 MHz** to **162.550 MHz**.

To hear the weather reports, press the **WEATHER** button on the top cabinet at any time. If you were listening to another band the radio will automatically switch to the weather band.

The volume level is fixed at optimum listening level on Instant Weather operation. In order to increase or decrease the volume level, turn the **VOLUME** Control.

Note: *Since the National Weather Radio transmitters operate at much lower power than commercial radio stations, the volume on the weather band will be lower than for AM/FM or TV bands. This is normal and not an indication of any trouble with your unit. Adjust the **VOLUME** when listening to the Weather Band if necessary.*



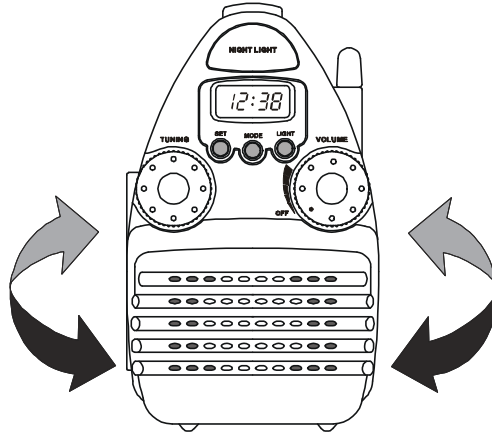
If you do not hear the weather reports when you press the **WEATHER** button, very slowly rotate the **WB FINE TUNING** control on the left side cabinet of the radio until you are receiving the frequency of the National Weather Radio transmitter that is broadcasting in your area. You only need to do this one time, unless you move to a different area. In that case you might have to adjust the **WB FINE TUNING** control again.



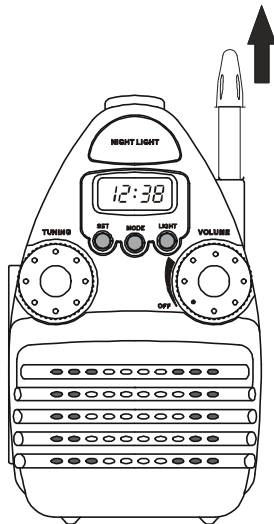


Antenna Information

AM – This unit has a built-in ferrite rod antenna, which eliminates the need for an external antenna, and provides adequate reception in most areas. If reception is weak, turn the unit to improve reception.



FM, TV, WEATHER BAND – The telescopic antenna on the right side of the unit is for these bands only. If reception is weak, adjust the length of the antenna.



Note:

The FM Antenna should be fully retracted (lowered) when the unit is connected to your AC outlet for recharging.



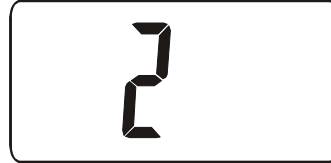
Clock Operation

Setting The Date And Time

Note: The month and date are displayed numerically (MM/DD).

For example, February 28th is displayed as “2 28”.

- 1.) Press the **MODE** button four times. The Month display appears.



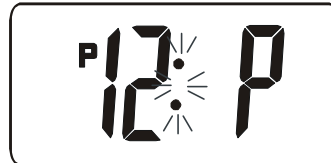
- 2.) Press the **SET** button repeatedly to advance the display to the correct month.

- 3.) Press the **MODE** button again. The Day display appears.



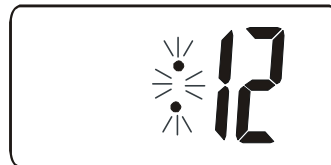
- 4.) Press the **SET** button repeatedly to advance the display to the correct day.

- 5.) Press the **MODE** button again. The Hour display appears together with either the “A” (AM), “P” (PM), or “H” (24 Hour format) indicator.



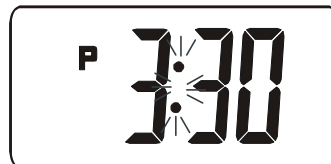
- 6.) Press the **SET** button repeatedly to advance the display to the correct hour, AM “A” or PM “P”.

- 7.) Press the **MODE** button again. The Minutes display appears.



- 8.) Press the **SET** button repeatedly to advance the display to the correct minute.

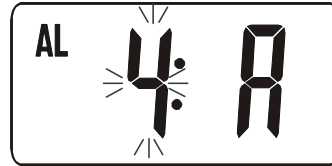
- 9.) Press the **MODE** button once more, then press the **SET** button. The clock begins to run.





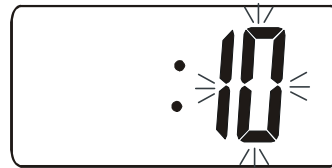
Setting The Alarm Time

- 1.) Press the **MODE** button twice. The **AL** indicator appears. The Hour digit flashes.



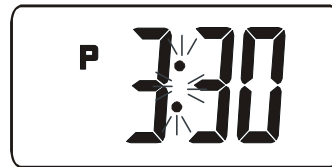
- 2.) Press the **SET** button repeatedly to advance the display to the correct hour, AM "A" or PM "P".

- 3.) Press the **MODE** button again. The Minutes display flashes.



- 4.) Press the **SET** button repeatedly to advance the display to the correct minute.

- 5.) Press the **MODE** button again. The Alarm time is set, and the display returns to current time.



- 6.) To check the set Alarm time, press the **SET** button once. The display shows the Alarm time for approx. 5 seconds then returns to current time.






To Activate The Alarm Time

- 1.) Press the **MODE** button once. The **AL** indicator appears. The Alarm time flashes.

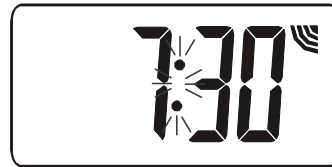


- 2.) Press the **SET** button until the  indicator appears.



- 3.) Press the **MODE** button repeatedly to return to current time.


- 4.) When the Alarm time reached, the buzzer sounds for 30 seconds and then stops.



- 5.) To stop the Alarm sooner, press the **MODE** button.

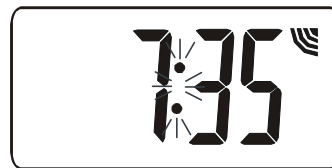
Snooze Alarm

When the alarm turns 'On', you may temporary stop the buzzer sound within 30 seconds.

- 1.) Press the **SET** button once, the  indicator will flash.




- 2.) After 5 mintues, the buzzer will come on again.



To Activate The Hourly Chime

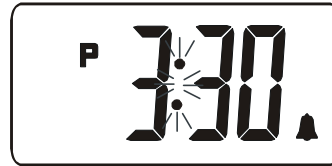
- 1.) Press the **MODE** button once. The **AL** indicator appears. The Alarm time flashes.



- 2.) Press the **SET** button until the  indicator appears.



- 3.) Press the **MODE** button repeatedly to return to current time.




- 4.) During “:00” second of every hour, a “BEEP” sound will be heard.





To Activate The Alarm Time And Hourly Chime

- 1.) Press the **MODE** button once. The **AL** indicator appears. The Alarm time flashes.



- 2.) Press the **SET** button once, the  indicator appears. Alarm time is activated.

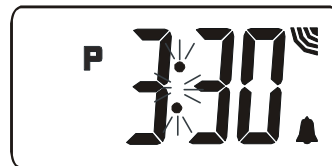


- 3.) Press the **SET** button once more, both  and  indicators appear.

Both Alarm time and Hourly Chime are activated.



- 4.) Press the **MODE** button repeatedly to return to current time.






To Deactivate The Alarm Time And Hourly Chime


- 1.) Press the **MODE** button once. The **AL** indicator appears. The Alarm time flashes.



- 2.) Press the **SET** button once, the  indicator disappears.

Alarm time is deactivated but Hourly Chime is still activated.

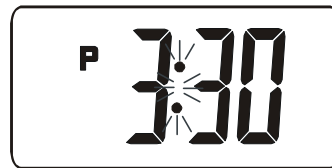


- 3.) Press the **SET** button once more, the  indicator disappears.

Hourly Chime is also deactivated.



- 4.) Press the **MODE** button repeatedly to return to current time.



Clock Display Lighting

To see the time in low-light conditions, press the **LIGHT** button. The display lighting will turn on for a few seconds and then shut off automatically.

Earphone Jack

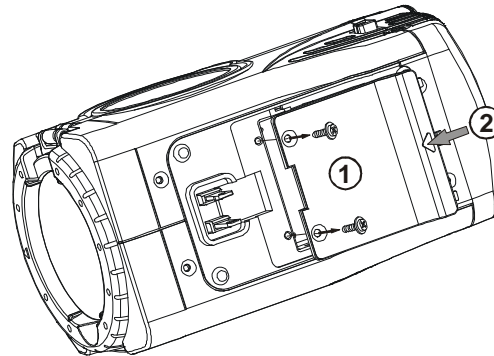
For private listening, an **EARPHONE** jack is located on the left side of the radio. Plug in the earphone (**not included**) and adjust the volume to a comfortable level. The internal speaker is disconnected when the earphone is plugged into the radio.



Replacing the Rechargeable Ni-Cd battery pack

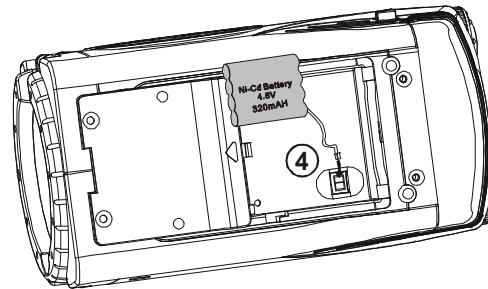
If after recharging, the battery power is still weak, replace the **4.8V 320mAH** rechargeable battery pack.

- 1.) Turn the unit on its side and use a small screwdriver to remove the screws securing the battery compartment cover.



- 2.) Remove the compartment cover by sliding it in the direction of "arrow".

- 3.) Unplug the rechargeable battery pack connector from the socket and lift the pack out of the compartment.



- 4.) Connect the new battery pack's plug into the socket and place the battery pack into the compartment.

Note:

The replacement **Ni-Cd** rechargeable battery packs are available from the Emerson Customer Service Department. Please call 1-800-898-9020 and specify that you need the replacement battery pack for model number RP3228 rechargeable flashlight/radio. The part number is "**AAA320F4M57**".

Caution: The supplied battery pack plug has the **red wire** toward the **EARPHONE** jack when inserted correctly. To ensure proper polarity, only use the supplied or recommended replacement battery pack.

- 5.) Replace the compartment cover and secured with the two screws.



CARE AND MAINTENANCE

Caution:

Ni-Cd battery must be disposed of properly.

Call 1-800-822-8837 for recycling information.

Do not dispose of battery pack in fire.

Be sure to recharge new battery pack before using.

There are no user serviceable parts inside this radio. Please refer all service problems to a qualified service facility.

If the cabinet becomes dusty, wipe the exterior with a soft dust cloth only. Never use dusting sprays or polishes on the cabinet.

If the cabinet becomes dirty or smudged with fingerprints it may be wiped with a soft cloth that has been slightly dampened with a mild soap and water solution. Always disconnect the power cord from the AC outlet before cleaning, and never allow any liquid to get inside the cabinet.

Bulb Replacement

The flashlight and nightlight in this unit use LEDs (Light Emitting Diodes) instead of incandescent bulbs. These LEDs should last for the full useable life of the product and they are not consumer replaceable.



TO FIND THE LOCATION AND PHONE NUMBER
OF YOUR NEAREST SERVICE CENTER
PERMITTED TO PERFORM WARRANTY...

CALL TOLL FREE: 1-800-695-0098

FOR ADDITIONAL SET-UP OR OPERATING ASSISTANCE
PLEASE CALL:
1-800-898-9020

FOR CUSTOMER SERVICE, PLEASE WRITE TO:
Emerson Radio Corp.
Consumer Affairs Dept.
1901 Diplomat Drive,
Farmers Branch, TX 75234.



LIMITED WARRANTY

Emerson Radio Corp. warrants manufacturing defects in original material, including original parts and workmanship, under normal use and conditions, for a period of ninety (90) days from the date of original purchase in the U.S. With your dated proof of purchase, we will provide repair service at no charge for labor and parts at an authorized Depot Repair Facility, or replace the product in our discretion. For repair or replacement, pack your unit in a padded box, enclose your check or money order payable to Emerson Radio Corp. in the amount of \$5.00 (not required by California residents) to cover shipping and handling costs, and enclose a copy of your proof of purchase. Send your unit to:

Emerson Radio Corp.
1901 Diplomat Drive,
Farmers Branch, TX 75234.

This warranty does not cover damage from negligence, misuse, abuse, accident, failure to follow operating instructions, commercial use, rental, repairs by an unauthorized facility, or products purchased, used, serviced or damaged outside of the United States.

THIS WARRANTY GIVES YOU SPECIFIC LEGAL RIGHTS, AND YOU MAY ALSO HAVE OTHER RIGHTS WHICH VARY FROM STATE TO STATE.

AU898H



EMERSON
Part No. 16-2971
503-02

Printed in China