



## INSTALLATION AND OPERATION MANUAL

### GARLAND® STARFIRE SENTRY COMBINATION RANGE, MODEL STW286A



**FOR YOUR SAFETY:**  
DO NOT STORE OR USE GASOLINE  
OR OTHER FLAMMABLE VAPORS OR  
LIQUIDS IN THE VICINITY OF  
THIS OR ANY OTHER  
APPLIANCE

**WARNING:**  
IMPROPER INSTALLATION, ADJUSTMENT,  
ALTERATION, SERVICE OR MAINTENANCE  
CAN CAUSE PROPERTY DAMAGE, INJURY,  
OR DEATH. READ THE INSTALLATION,  
OPERATING AND MAINTENANCE  
INSTRUCTIONS THOROUGHLY  
BEFORE INSTALLING OR  
SERVICING THIS EQUIPMENT

PLEASE READ ALL SECTIONS OF THIS MANUAL  
AND RETAIN FOR FUTURE REFERENCE.

THIS PRODUCT HAS BEEN CERTIFIED AS  
COMMERCIAL COOKING EQUIPMENT AND  
MUST BE INSTALLED BY PROFESSIONAL  
PERSONNEL AS SPECIFIED.

IN THE COMMONWEALTH OF MASSACHUSETTS  
THIS PRODUCT MUST BE INSTALLED BY A  
LICENSED PLUMBER OR GAS FITTER. APPROVAL  
NUMBER: G-1-07-05-28

For Your Safety:  
Post in a prominent location, instructions to be  
followed in the event the user smells gas. This  
information shall be obtained by consulting  
your local gas supplier.

Users are cautioned that maintenance and repairs must be performed by a Garland authorized service agent using genuine Garland replacement parts. Garland will have no obligation with respect to any product that has been improperly installed, adjusted, operated or not maintained in accordance with national and local codes or installation instructions provided with the product, or any product that has its serial number defaced, obliterated or removed, or which has been modified or repaired using unauthorized parts or by unauthorized service agents.

For a list of authorized service agents, please refer to the Garland web site at <http://www.garland-group.com>.

The information contained herein, (including design and parts specifications), may be superseded and is subject to change without notice.

GARLAND COMMERCIAL RANGES, LTD.  
1177 Kamato Road, Mississauga, Ontario L4W 1X4  
CANADA  
Phone: 905-624-0260  
Fax: 905-624-5669

## **IMPORTANT INFORMATION**

**WARNING:**

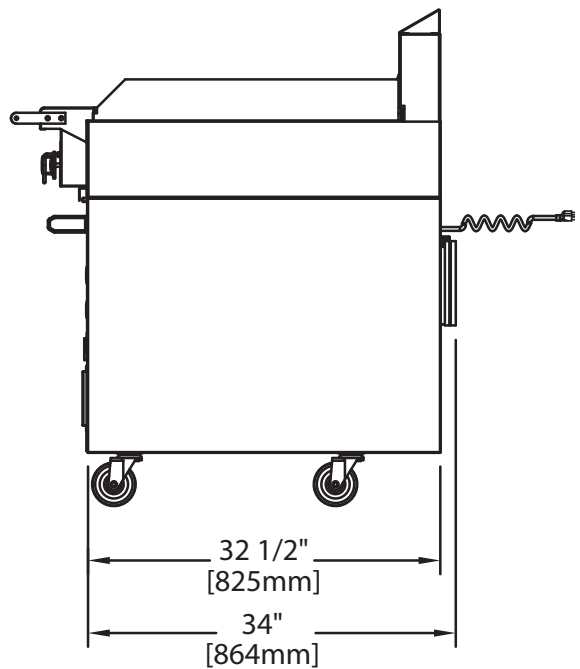
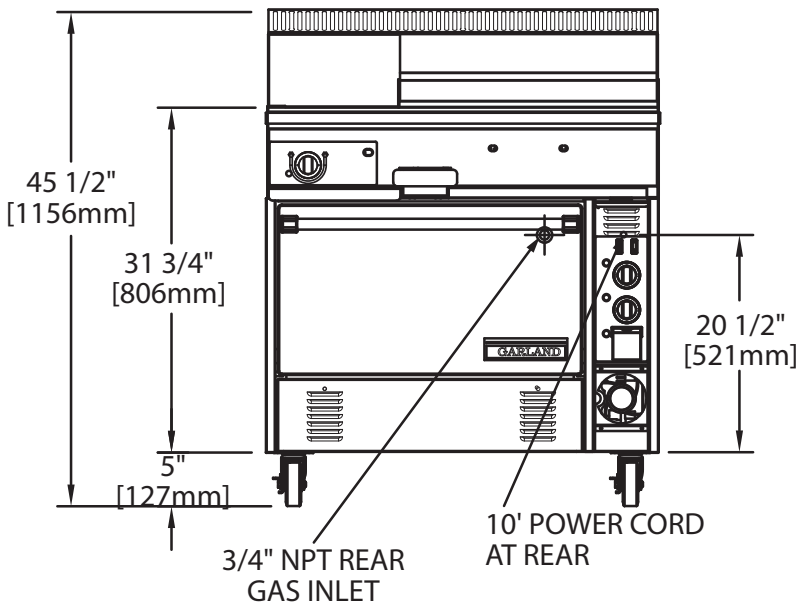
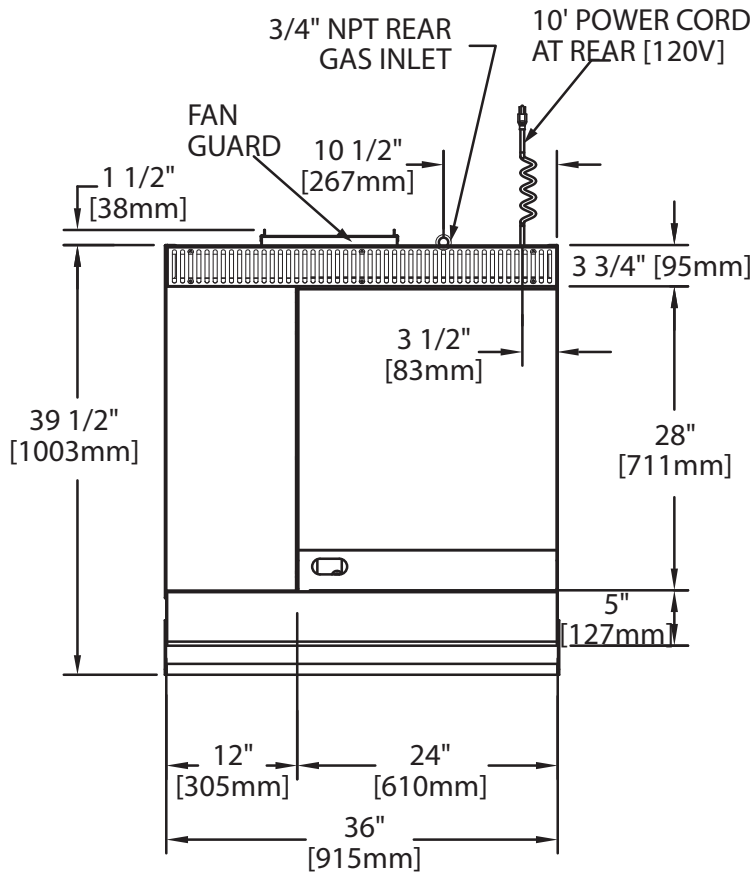
**This product contains chemicals known to the state of California to cause cancer and/or birth defects or other reproductive harm. Installation and servicing of this product could expose you to airborne particles of glass wool/ceramic fibers. Inhalation of airborne particles of glass wool/ceramic fibers is known to the state of California to cause cancer. Operation of this product could expose you to carbon monoxide if not adjusted properly. Inhalation of carbon monoxide is known to the state of California to cause birth defects or other reproductive harm.**

**Keep appliance area free and clear of combustibles.**

# TABLE OF CONTENTS

<b>IMPORTANT INFORMATION.....</b>	<b>2</b>	Griddle.....	13
<b>DIMENSIONS .....</b>	<b>4</b>	Cleaning instructions (After each use) ...	13
<b>SPECIFICATIONS .....</b>	<b>5</b>	Cleaning Instructions	
<b>INTRODUCTION.....</b>	<b>5</b>	(For Heavy Build Up) .....	13
Unpacking:.....	5	Griddle Do's & Don'ts.....	13
<b>INSTALLATION .....</b>	<b>6</b>	Cleaning Burners .....	13
General Information .....	6	Griddle / Solid Hot Plate .....	13
Rating Plate .....	6	Convection Oven .....	14
Safety.....	6	Pilot Burner Cleaning.....	14
Product Usage.....	6	Gas Valve.....	14
Clearances .....	7	Thermostat Calibration .....	14
Location .....	7	Oven .....	14
Appliances Equipped with Casters.....	7	Griddle .....	14
Ventilation & Air Supply .....	7	Miscellaneous .....	15
Gas Connection:.....	7	<b>CONVERSION INSTRUCTIONS .....</b>	<b>16</b>
Commissioning: .....	9	<b>FAULT FINDING .....</b>	<b>17</b>
Burner Adjustments:.....	9	<b>REPLACEMENT OF PARTS.....</b>	<b>18</b>
Griddle /Solid Hot Top Burner.....	9	Gas Taps .....	18
Hot Top Minimum Flame Setting .....	9	Door Switch .....	18
Oven Burner .....	9	Control Panel Rocker Switches .....	18
<b>OPERATION.....</b>	<b>10</b>	Thermostat.....	18
Safety concerns .....	10	Heat-On Lamp.....	18
Operation Controls .....	10	Gas Control Valve.....	18
Griddles.....	10	Front Cooling Fan.....	19
Preparing A New Griddle .....	10	Motor .....	19
Lighting The Griddle .....	10	Ignition Control.....	19
Seasoning The Griddle .....	11	Hot Top Ignition Momentary Switch .....	19
Shut Down .....	11	Hot Top Spark Generator.....	19
Solid Hot Tops (STW286A).....	11	<b>WIRING DIAGRAMS .....</b>	<b>20</b>
Lighting The Solid Hot Top .....	11	For Models Manufactured Up To	
Oven.....	11	Oct /04/2005, Serial # 0509100130513 &	
Convection Oven .....	11	Models Manufactured From Mar/24/2009	
Lighting the Oven.....	11	S/N 0903100100823 M/D STW280A-0009	
Shut Down .....	12	(Robertshaw Ignition Control Module).....	20
Operating Suggestions .....	12	For Models Manufactured From	
<b>MAINTENANCE &amp; CLEANING .....</b>	<b>12</b>	Oct /05/2005, Serial # 0510100130790 To	
Stainless steel .....	12	Mar/23/2009 S/N 0903100100822	
Exhaust Filter.....	12	(With Johnson Control Module) .....	22
Enameled/Painted Surfaces .....	12	For All Models .....	24

# DIMENSIONS



# SPECIFICATIONS

Oven Interior Dimensions			Entry Clearance		Installation Clearances*		Shipping Weight	Manifold Inlet Size
Height	Width	Depth	Crated	Uncrated	Sides	Rear		
13-12 (343mm)	26-1/4" (667mm)	22" (559mm)	43" (1105mm)	37-7/8" (648mm)	7" (178mm)	6" (152mm)	584lbs (265kg)	3/4" NPT Female

\* Distance from combustible construction

Input Ratings								Operating Pressure				Total Maximum Electrical Load	
Hot Top		Griddle		Oven		Total		Natural		Propane		120V	230V
BTU	kW	BTU	kW	BTU	kW	BTU	KW	"WC	mbar	"WC	mbar		
25,000	7.32	50,000	14.65	38,000	11.14	113,000	33.11	4.5	11	10	25	4.5 Amps	2.3 Amps

**NOTE:** Installation clearance reductions are applicable only where local codes permit.

Garland/U.S. Range products are not approved or authorized for home or residential use, but are intended for commercial applications only. Garland / U.S. Range will not provide service, warranty, maintenance or support of any kind other than in commercial applications..

Commercial cooking equipment requires an adequate ventilation system. For additional information, refer to the National Fire Protection Association's standard NFPA96..

# INTRODUCTION

This equipment must be installed and adjusted by a competent person in accordance with the law. Failure to install appliances correctly could lead to prosecution. It is in your own interests and that of safety to ensure that the law is complied with. Your Garland Dealer is well qualified to provide this service.

This appliance should be given regular care and maintenance. Periodic inspections by the dealer or a qualified service company are recommended to check temperature, burner adjustments and to ensure moving parts are operative. Wherever possible avoid overheating idle equipment as this is the primary cause of increased service cost.

**"Regular maintenance ensures peak performance."**

## Unpacking:

1. Check crate for possible damage sustained during transit. Carefully remove unit from crate and again check for damage. Any damage to the appliance must be reported to the carrier immediately.

2. The wires for retaining the burners and other packing material must be removed from units. Any protective material covering stainless steel parts must also be removed.
3. All ranges are shipped from the factory with casters fitted.
4. The type of gas and the supply pressure that the equipment was set up for at the factory is noted on the data plate and on the packaging. This type of gas supply must be used.
5. Do not remove permanently affixed labels, warnings or data plates from the appliance, for this may invalidate the manufacturer's warranty.

**NOTE:** Many parts of the equipment are raw steel i.e griddle top and solid hot top and can react with moisture forming rust. This is normal and not considered a defect. Clean with a stainless steel fiber pad. A light coating of salt free oil may be applied to prevent further rusting.

# INTRODUCTION continued

## Rating Plate

All burner input ratings are shown on the name/rating plate of each range which can be located behind the lower front kick panel, (located below oven door). To access, remove two (2) fasteners securing the panel shut.

For proper operation, the fuel information on the data plate of your new equipment must match your fuel supply.

When corresponding with the factory or equipment dealer regarding service problems or replacement parts, be sure to refer to the particular unit by the correct model number, including prefix and suffix letters and numbers and serial number. The rating plate affixed to the unit contains this information.

## Safety

It is essential that the instructions in this booklet are strictly followed for the safe and economical operation of the equipment. If it is known or suspected that a fault exists on the appliance then it must not be used until the fault is rectified by a competent person.

**Power Failure Note:** In the event of a power failure, no attempt should be made to operate the oven. The oven is gas operated but has electrical features, motor and door switches.

## Product Usage

The top of the range is designed for flexibility and the preparation of numerous types of products.

Preparation of soups, stocks and sauces are done on a hot top where slow even cooking is desirable. Heating larger quantities of food can be done more efficiently than heating small quantities. Pots and pans should be covered whenever possible to reduce energy consumption.

High acid sauces, such as tomato should be cooked in stainless steel vessels rather than aluminum since stainless will not react chemically. Light coloured sauces may be discoloured by the aluminum especially if stirred with a metal spoon. Salty water may pit aluminum vessels if used frequently.

# INSTALLATION

## General Information

Before assembly and connection, check gas supply.

- The type of gas for which the unit is equipped is stamped on the name/rating plate. Connect a unit stamped "NAT" only to natural gas, and a unit stamped "PRO" only to propane.
- In a new installation, have the gas authorities check meter size and piping to ensure that the gas supply will deliver sufficient pressure to operate the unit properly.
- When adding or replacing equipment, have gas authorities check gas pressure to ensure that the existing meter and piping will supply fuel to the appliance with no more than 0.5 inch water column pressure drop during operation.

- Before turning on the main gas supply, check the unit to be certain that all the controls are in the "OFF" position.
- When checking gas pressure, be sure that all other equipment on the same gas line is turned "ON." A preset gas pressure regulator is supplied with GARLAND Restaurant Series Equipment. It may be necessary to adjust the regulator to deliver fuel at the pressure shown on the rating plate.
- In Canada, the installation must comply with local codes, or in the absence of local codes, with the Installation Codes for Gas Burning Appliances and Equipment CAN/CGA-B149.1 and CAN/CGA B149.2, (latest edition), and with the Canadian Electrical Code C22.1 (latest edition).

# INSTALLATION continued

In the United States the installation must comply with the National Fuel Gas Code ANSI Z223.1, (latest edition), NFPA No. 54, (latest edition), and the National Electrical Code ANSI/NFPA 70, (latest edition), and/or local codes to ensure a safe and efficient operation.

- This equipment must be electrically grounded in accordance with local codes, or in the absence of local codes, with National Electrical Code, ANSI/NFPA 70, or the Canadian Electrical Code, CSA C22.2, as applicable.
- The appliance and its individual shut-off (supplied by others) must be disconnected from the gas supply piping system during any pressure testing of the system at pressures in excess of 1/2 PSIG (3.45 KPA). The appliance must be isolated from the gas supply piping by closing its individual manual shut-off (supplied by others) during any pressure testing of the gas supply piping system at test pressures equal to or less than 1/2 PSIG (3.45 KPA).
- Adequate clearance must be provided for servicing and proper operation.

## Clearances

Minimum installation clearance to adjacent combustible walls and type of floor or base:

MINIMUM CLEARANCES STW286A	
LOCATION	CLEARANCE
Left Hand Side	7" (178mm)
Right Hand Side	7" (178mm)
Rear	6" (152mm)
TYPE OF FLOOR OR BASE	
Combustible	

## Location

The range should be installed on a firm, smooth and level floor designed to withstand the weight of the fully laden appliance. Any openings in the wall beside the appliance should be sealed.

## Appliances Equipped with Casters

- The installation shall be made with a connector that complies with the Standard for Connectors for Moveable Gas Appliances, ANSI Z21.69/CSA 6.16, Addenda Z21.69B-2006/CSA 6.16B-2006 (or latest edition), and a quick-disconnect device that complies with the Standard for Quick Disconnects for Use with Gas Fuel, ANSI Z21.41/CSA 6.9, Addenda Z21.41A-2005/CSA 6.16A-2005 (or latest edition).
- The front casters on the appliance are equipped with brakes to limit the movement of the appliance without placing any strain on the connector or quick disconnect device or its associated piping.
- Be aware; required restraint is attached to a bracket, which is located on the rear caster closest to the gas connection. If disconnection of the restraint is necessary, be sure to reconnect the device after the appliance is returned to its original position.

## Ventilation & Air Supply

The area in which the appliance is installed must be adequately ventilated to provide air for combustion, removal of products of combustion and removal of steam, etc. Proper ventilation is essential for optimum performance.

The ideal method of ventilating equipment is the use of a properly designed canopy which should extend six inches, (152mm), beyond all sides of the appliance(s) and six feet, six inches, (1981mm), above the floor.

A strong exhaust will create a vacuum in the room. For an exhaust vent to work properly, replacement air must enter the room. The amount of air that enters must equal the amount exhausted. All gas burners and pilots need sufficient air to operate. Large objects should not be placed in front of the appliance(s) which would obstruct the flow of air into the front.

## Gas Connection:

The gas pipe connection is made at the rear right hand side of the equipment. The size of the pipe work supplying the appliance must not be less than the inlet connection which is 3/4" NPT. An isolating valve is recommended to be close to the appliance to allow shut down during an emergency or routine servicing. After installation, the complete pipe work must be checked for soundness.

# INSTALLATION continued

**TABLE A. Gas Flow Rate (total)**

NATURAL GAS ( ft <sup>3</sup> /h )	PROPANE GAS (ft <sup>3</sup> /h )
113	42

**TABLE B. Heat Input Per Burner**

BURNER	NOMINAL HEAT INPUT					
	NATURAL GAS			PROPANE		
	kW	BTU/HR	MJ/HR	kW	BTU/HR	MJ/HR
GRIDDLE	7.32	25,000	26.37	7.32	25,000	26.37
HOT TOP	7.32	25,000	26.37	7.32	25,000	26.37
OVEN	11.14	38,000	40.08	8.79	30,000	31.65

**TABLE C. Manifold Pressure / Injector Size**

BURNER	NATURAL GAS				PROPANE			
	Manifold Pressure		Injector Size		Manifold Pressure		Injector Size	
	mbar	"W.C.	DMS	mm	mbar	"W.C.	DMS	mm
GRIDDLE	11.2	4.5	42	2.4	25	10	53	1.51
HOT TOP	11.2	4.5	41	2.45	25	10	—	1.5
OVEN	11.2	4.5	31	3.05	25	10	51	1.7

NOTE: The pressure must be measured at the pressure test nipple located on the main manifold, located at the left hand front of the range where the hot top valve is situated, with all burners lit.

**TABLE D. Adjustment Pressure for "MIN" Valve Position (Hot Top section)**

NATURAL GAS		PROPANE	
mbar	"w.c.	mbar	"w.c.
2.0	0.8	4.5	1.8

NOTE: The pressure must be measured at the test nipple located downstream of the gas valve.

**TABLE E. Aeration Shutter Setting / Pilot Flame Length**

BURNER	SHUTTER OPENING				PILOT FLAME LENGTH	
	NATURAL GAS		PROPANE		mm	Ins.
	mm	Ins.	mm	Ins.		
OVEN	19	0.750	19	0.750	25.4	1
GRIDDLE	41.3	1.625	41.3	1.625	25.4	1
HOT TOP	41.3	1.625	41.3	1.625	12.5	0.5



# INSTALLATION continued

## Commissioning:

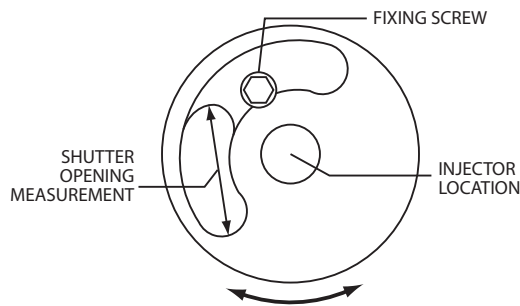
The whole of the gas installation, including the meter, should be inspected, purged and tested for leakage in accordance with local codes.

1. Ensure that all controls are in the off position and turn on the main gas supply and electrical mains.
2. Remove the screws securing the front fascia and connect a U-gauge manometer to the pressure test point on the main manifold. Operate the main burners in accordance with the instructions given in the User's manual.
3. Check that the setting pressure is correct per TABLE C on the previous page. If necessary, adjust the pressure governor located at the rear of the range, downstream of the shut-off valve, to give the required setting.

## Burner Adjustments:

### Griddle /Solid Hot Top Burner

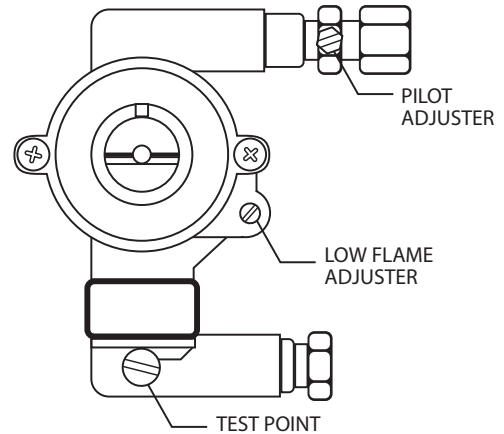
Check that the aeration shutter is set to provide the required opening per table E on the previous page. Adjust if necessary.



### Hot Top Minimum Flame Setting

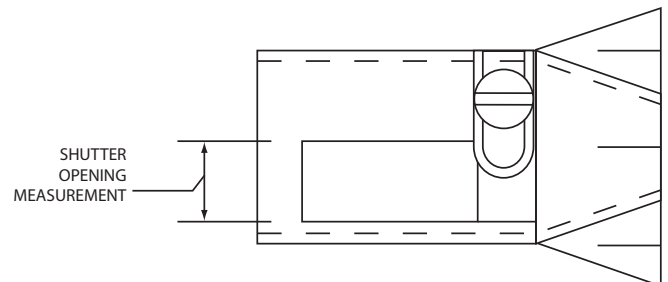
1. Set the gas tap to the MIN position.
2. Connect a U-gauge manometer to the pressure test nipple located downstream of the gas tap.

3. With a flat screwdriver, turn the adjuster on the body of the tap clockwise to reduce the pressure or anti-clockwise to increase pressure. Set the pressure to correspond with table D.



### Oven Burner

1. Check that the aeration shutter is set to the required opening per table E. Adjust if necessary.



When all the settings have been checked, remove the U-gauge manometer, replace the pressure test point screw and the lower front panel.

Instruct the user or purchaser in the efficient and safe operation of the appliance.

Tell the user of the location of the gas isolation cock for use in an emergency. Leave this User Installation and Servicing Instruction Manual with the user or purchaser.

# OPERATION

## Safety concerns

It is the responsibility of the supervisor or equivalent person to ensure that users of this equipment wear suitable protective clothing and draw attention to the fact that some parts will by necessity become very hot and will cause burns if touched accidentally.

## Operation Controls

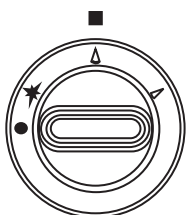
### SOLID TOP (STW286A)



OFF



IGNITION

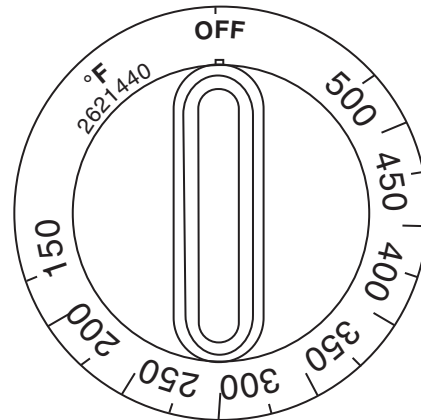


FULL FLAME



LOW FLAME

### OVEN/GRIDDLE TOP



## Griddles

Griddle tops are designed to have food cooked directly on the surface. Do not put pots or pans on the griddle surface as this will scratch or nick the surface and will result in improper cooking or sticking of the product. Never salt food over the griddle since this will build up a gummy residue making it difficult to clean.

Avoid hitting the surface of the griddle with the edge of a spatula since this will cause nicks. The most frequently used temperatures are 300° F (149°C) to 350°(177°C). After one firing, the griddle plate will discolour, this is normal and will not affect cooking performance.

Check the grease container and drain frequently during heavy use to prevent overflow.

## Preparing A New Griddle

1. Remove the protective coating on the surface using a mild detergent.
2. Thoroughly rinse the griddle with vinegar and a water solution (3/4 cup vinegar per quart of water) and dry.

## Lighting The Griddle

NOTE: Ensure that the gas and electrical supply to the appliance are turned "ON". During the initial ignition cycle, air must be purged from the gas line and thus it may take two or three tries for ignition to occur.

## OPERATION continued

1. Turn the power switch to the "ON" position.
2. Set the thermostat to the desired temperature.
3. If ignition fails and /or the ignition system goes into lockout, set the power switch to the "O" position.
4. Wait five minutes and repeat steps 1 and 2. If the problem persists have the unit checked by a competent service technician.

### Seasoning The Griddle

1. Use a clean cloth, rub a thin and even layer of oil into the griddle surface. Oil should be an unsalted shortening or high temperature cooking oil.
2. Set the griddle thermostat to 131°F (55°C) and heat the griddle surface until the oil begins to caramelize (turn a golden brown colour). Once this occurs, turn the thermostat to "O".
3. Scrape off the caramelized oil with a standard spatula.
4. Repeat step 1 and set the griddle thermostat to 275°F (135°C).
5. Repeat steps 2 & 3. The griddle is now seasoned and ready for use.

### Shut Down

1. Set the thermostat to the lowest setting and turn the power switch to the "O" position.

### Solid Hot Tops (STW286A)

Recommended where long term stock pot cooking is required for soups, sauces or stocks. Pots can be placed anywhere on the hot top. The maximum recommended stockpot size is 12" (305mm) in diameter.

The recommended pre-heat time is 30 minutes. This will thoroughly saturate the plate. Pots must have flat bottoms for maximum contact with the hot surface. Roasting pans with straps should never be used on a top since only the straps touch the surface and heat transfer will be minimal.

### Lighting The Solid Hot Top

1. Push in the tap and turn it anti-clockwise to the ignition position "★".
2. Holding the tap fully in, depress the ignitor switch button and observe that the pilot lights. If it does not, depress the ignitor switch button until it does.

3. When the pilot is lit, continue to hold the tap for 20 seconds, then release it. If the pilot extinguishes or fails to hold, wait five (5) minutes and then repeat step 1.
4. When the pilot is established, push the tap in again and turn it anti-clockwise to the full flame position "Δ" thus lighting the main burner.
5. For low flame or simmer, push the tap in again and turn it anti-clockwise to the low flame "∧" position.
6. To shut the burner off, turn the dial to the "●" position and the safety device will disengage within 60 seconds.

### Oven

The temperature is automatically controlled by the thermostat so that satisfactory cooking can be repeated. For the best performance the following instructions should be followed.

GRID SHELVES – There are three shelf positions. The shelf position is governed by the size of the product to be cooked. Always push the shelf back into the oven until it stops by making contact with the rear of the oven.

TRAY SIZE – A cake tray may be used on each shelf. Single trays or dishes must not be allowed to overhang the shelf in any direction, since this will adversely affect the heat circulation.

PREHEAT TIME – Allow at least 45 minutes after turning the oven on from cold, with the thermostat at the desired temperature before loading the oven with food to be cooked. Put the food in quickly and close the oven door.

### Convection Oven

The forced air range oven consists of a food preparation chamber completely sealed from the combustion area. This permits an efficient method of circulating the heated air within the cooking chamber.

### Lighting the Oven

NOTE: Ensure that the gas and electrical supply to the appliance are turned "ON". During the initial ignition cycle, air must be purged from the gas line and thus it may take two to three tries for ignition to occur.

1. Turn the power switch to the "ON" position and the Cook/cool switch to the "COOK" position.
2. Set the thermostat to the desired position.

## OPERATION continued

3. If ignition fails and or the ignition system goes into lockout, set the power switch to the "O" position.
4. Wait five minutes and repeat steps 1 and 2. If a problem persists have the unit checked by a competent technician.

### Shut Down

1. Set the thermostat to the lowest setting and turn the power switch to the "O" position.

### Operating Suggestions

1. Turn the power switch to the "O" position when the range is not in use.
2. Clean the range as soon as possible after cooking tomato or vinegar based products that have a high acid content. These foods can cause pitting of the surface.
3. Allow the oven to preheat before adding product.
4. During an electrical power interruption, turn the power switch to the "O" position. The oven cannot be made to operate without electrical power

## MAINTENANCE & CLEANING

Regular servicing by a competent person is recommended to ensure the continued safe and efficient performance of the appliance. The frequency will vary, depending on the installation conditions and usage. Usually once per year is adequate.

**WARNING:** Turn off the gas supply to the appliance at the service cock and the electrical mains before commencing any servicing work.

**IMPORTANT:** Test for gas leakage on completion of any servicing work.

A regular cleaning schedule should be established to ensure efficient operation.

**WARNING:** This appliance is not protected against water jets. Do not clean with water jets.

### Stainless steel

Stainless Steel should be cleaned using a mild detergent, a soft cloth and hot water. If it is necessary to use a non-metallic scouring pad, always rub in the direction of the grain in the metal to prevent scratching. Wash a small area at a time and rinse the washed area with a clean sponge dipped into a disinfectant and wipe dry with a soft clean cloth before it can dry.

Use only stainless steel, wood or plastic tools to scrape off heavy deposits of grease or oil. Do not use ordinary steel scrapers or knives as particles of iron may become embedded and rust. NEVER USE STEEL WOOL.

### Exhaust Filter

Inspect the front exhaust filter weekly, if on inspection the filter appears dirty it can be cleaned by hand with hot water and dish detergent. The filter is easily removed by sliding out of the lower front panel of the unit.

### Enameled/Painted Surfaces

Establish a regular cleaning schedule. Any spills should be wiped off immediately. The unit should be allowed to cool down before cleaning any exterior surfaces. Wipe exposed cleanable surfaces when cool with mild detergent and hot water. Stubborn residue spots may be removed with a scouring pad. Dry thoroughly with a clean cloth.

# MAINTENANCE & CLEANING continued

## Griddle

### Cleaning instructions (After each use)

1. Use a traditional 2.5"-3" (64mm-76mm) scraper or spatula to scrape the griddle surface (to remove food particles and oil residues) towards the grease trough using even back to front strokes.
2. Pour shortening or oil onto the griddle surface using a straight front to back motion. Clean the griddle using a griddle stone or grill screen. Always wipe with the grain of the steel, never sideways.
3. Using a clean cloth, rub a thin and even layer of oil into the griddle surface.
4. Remove the grease drawer, empty and wash thoroughly with soap and water. Replace.

### Cleaning Instructions (For Heavy Build Up)

**NOTE: After using cleaners & grease cutter, re-season the griddle.**

NOTE: Apply to a warm griddle for best results.

1. Using a traditional 2.5"-3" (64mm-76mm) scraper or spatula scrape the griddle surface (to remove food particles and oil residues) towards the grease trough using even back to front strokes.
2. Apply griddle cleaner evenly over the griddle surface and let it sit as directed. Follow the procedures on the label of the specific cleaning product.
3. Using a traditional scraper or spatula, slosh around the griddle cleaner to remove the build up.
4. Scrape the griddle surface towards the grease-trough using even back to front strokes. Repeat step 2 if necessary.
5. Using a mild detergent, clean the surface and rinse thoroughly with water and vinegar solution, Dry the griddle.
6. Using a clean cloth rub a thin and even layer of oil into the griddle surface.
7. Re-season the griddle as detailed in griddle operation. The griddle is now ready for use.

## Griddle Do's & Don'ts

### Do's

1. Season the griddle, This will prevent foods from sticking and make it easier to keep the surface clean.
2. Keep the surface clean. Scraping the surface throughout production to clear foods and oils prevents build up and will make it easier to keep the surface clean.
3. Turn the temperature down during slow periods. Reducing the temperature or turning sections off during slow periods will conserve energy and prevent the plate from over heating.

### Don'ts

1. Do not use salt to clean the griddle surface. Salt is corrosive and can cause pitting of the griddle.
2. Do not allow metal utensils (Spatula, scraper, etc.) to nick and/or dent the surface of the griddle, The edges of these utensils are sharp and will create divots that oil can collect in and caramelize which will cause sticking.
3. Do not use the griddle as a hot top. A large pan or pot will trap heat and cause the griddle plate to warp.
4. Do not overheat the griddle to preheat faster. Preheating takes 15-20 minutes.

## Cleaning Burners

### Griddle / Solid Hot Plate

1. Lift off the griddle plate or solid hot top. Use caution: This will require assistance due to the weight of the griddle / solid hot top.
2. Lift the rear of the burner and slide backwards off the injector fitting.
3. Clean the burners in hot soapy water with a stiff scrubbing brush.
4. Rinse and shake well to remove any debris.
5. Reassemble in the reverse order.

# MAINTENANCE & CLEANING continued

## Convection Oven

1. Open the lower kick panel.
2. Remove the left & right hand oven door springs. USE CAUTION: the oven door will need additional support to remain closed.
3. Remove the left and right hand radiation shields.
4. Remove the two (2) screws that secure the pilot bracket and disconnect the pilot tubing at the union connection.
5. Remove the injector support and slide the burner and burner pan forwards out of the combustion chamber.
6. Clean the burner with a stiff scrubbing brush and shake the burner well to ensure that ports are clear of any debris.
7. Reassemble in the reverse order.

## Pilot Burner Cleaning

1. Remove the main burners (refer to the section on main burner cleaning).
2. Disconnect the pilot gas supply pipe from the pilot jet.
3. Remove the pilot jet.
4. Clean by blowing through or washing. Do not use wire to clear the pilot jet.
5. Reassemble in the reverse order.

## Gas Valve

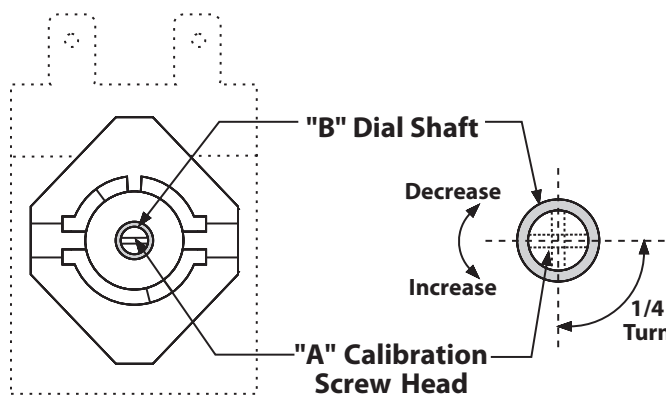
Re-greasing of the gas taps is not recommended. If the tap spindle becomes seized or difficult to turn, refer to Replacement of Parts section in this manual.

## Thermostat Calibration

### Oven

It is normal for a hydraulic thermostat cycling with a temperature differential of 45° to 50°F. If the thermostat is cycling beyond the 15° tolerance above or below the set point and the appliance is under warranty, recalibrate the thermostat or if not under warranty, consult owner for proper action. If the thermostat is out of calibration more than 50°, it will not likely hold an attempt of recalibration. We suggest that the thermostat be replaced.

1. Place the thermocouple of the test instrument in the center of the oven.
2. Turn the oven temperature control dial to 400°F. In order to allow the oven temperature to stabilize, the oven control must be allowed to cycle twice before taking a test reading.
3. Check the temperature reading just when the control cycles "OFF" as indicated by cycling pilot lamp. If the temperature does not read within 15°F of the dial setting, recalibrate as follows:
4. Carefully remove the thermostat dial, not disturbing the dial setting.

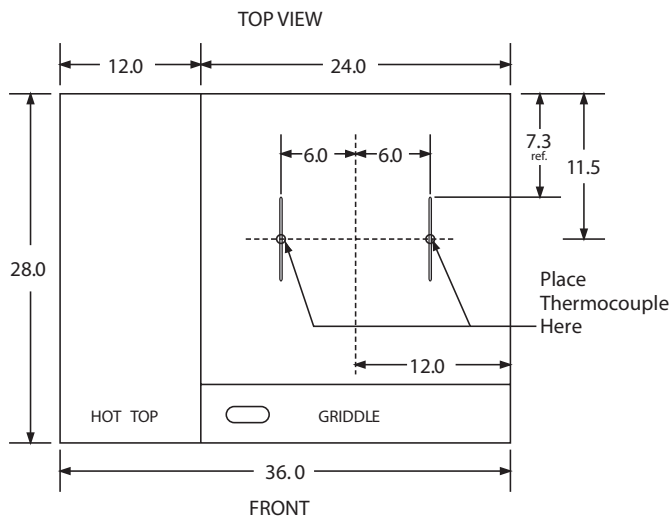


5. Hold the thermostat shaft steady and with a small flat blade screw driver, turn the calibration screw located inside the shaft clockwise to decrease the temperature and anti-clockwise to increase the temperature. Note: Each 1/4 turn of the screw will create a change of approximately 25°F.
6. Replace the thermostat dial and repeat steps 1 through 3 to verify that correct adjustment has been made.

## Griddle

1. Use a test instrument with a special disc type thermocouple or a reliable surface type pyrometer. Note: a drop of oil on the face of the disc will provide better contact with the plate.
2. Set all griddle thermostats to 300°F. In order to allow the griddle temperature to stabilize, the thermostats must be allowed to cycle twice before taking a test reading.

# MAINTENANCE & CLEANING continued



*To find the location of the sensing bulbs, locate the exact center of the griddle. Measure 6" to the left and 6" to the right. Place the temperature sensor there.*

3. Check the griddle temperature when the thermostat just cycles "OFF" by placing the thermocouple firmly on the griddle surface directly above the sensing bulb of the thermostat. (see the following diagram for how to find the location directly above the thermostat sensing bulb) The reading should be between 285°F and 315°F. If the reading is outside of these limits, calibrate as follows:
4. Carefully remove the thermostat dial, not disturbing the dial setting.

5. Hold the thermostat shaft steady and with a small flat blade screw driver, turn the calibration screw located inside the shaft clockwise to decrease the temperature and anti-clockwise to increase the temperature. Note: Each 1/4 turn of the screw will create a change of approximately 25°F.
6. Replace the thermostat dial and repeat steps 1 through 3 to verify that correct adjustment has been made.

## Miscellaneous

1. Grease the door hinges and check for loose fasteners. Tighten as necessary.
2. Wire brush the surface of the griddle to remove baked on material, wash with hot water, dry thoroughly. Lightly coat the surface with vegetable oil to prevent rusting.
3. Wipe exposed cleanable surfaces with a mild detergent and hot water. Stubborn residue may be removed with a lightweight non-metallic scouring pad. Stainless steel areas should be washed with a mild detergent, hot water and a soft cloth. If necessary to use a non-metallic scouring pad always rub in the direction of the grain in the metal to prevent scratching. NEVER USE STEEL WOOL.
4. Check the operation of the flame safety device by closing the gas supply during burner operation. Listen for the flame failure valve on the combination gas control "clicking" closed. This action must occur within 1 second of extinguishing the main burner flame.
5. Clean the oven racks, shelves and guides with hot soapy water and dry thoroughly. Clean the oven interior with a propriety oven cleaner following the manufacturers instructions.



# CONVERSION INSTRUCTIONS

Servicing must be carried out by a competent person in accordance with the law.

**WARNING:** Turn off the gas supply to the appliance at the service cock and the electrical mains before commencing any servicing work.

**IMPORTANT:** Test for gas leakage on completion of any servicing work.

The following instructions are intended to describe the operations necessary to convert equipment from operation on one gas to another.

1. Ensure that all of the parts necessary to make the conversion have been supplied as follows:
  - a. Injector fittings ( One required for each main burner & one required for each pilot).
  - b. Regulator, (one per unit ).

If any of the required parts are missing, contact your Garland dealer before attempting to carry out the conversion.

2. Remove the burners following the instructions given in this manual.

3. Replace each injector fitting with the new fitting that is supplied.

**NOTE:** Before doing so, refer to Table C in this manual to ensure that the correct injector has been supplied for the gas supply being converted to.

4. Replace the spring in the governor with the new spring supplied.

Upon completion of all the above operations, follow the section in the manual on "Commissioning" and ensure that the setting pressure and all burner flame settings are adjusted accordingly.



# FAULT FINDING

PROBLEM	POSSIBLE CAUSES	SOLUTION
Cook/Cool Down switch set to "Cook" position. Light off. Motor not working.	No power to oven.	Check power supply.
	Defective Cook/Cool Down switch	Replace switch.
	Faulty wiring.	Check condition of all wires & connections
	Defective door switch.	Replace switch
Cook/Cool Down switch set to "Cook" position. Light on motor not working.	Oven door partially open.	Close door.
	Door switch out of alignment.	Align switch.
	Defective motor.	Replace motor.
	Faulty wiring.	Check condition of all wires & connections
	Faulty motor relay	Replace relay
Cook/Cool Down switch set to "Cook." Motor working thermostat set to temperature, lamp "on," oven not heating.	Combination gas valve not opening.	Defective thermostat replace.
	Defective valve/thermostat	Replace valve/thermostat.
Noisy convection oven.	Blower wheel rubbing on oven baffle	Adjust blower wheel.
	Blower wheel loose on motor shaft.	Retighten blower wheel.
	Defective motor	Replace motor.
Cook/Cool Down switch set to "Cool Down", motor not working.	Defective Cook/Cool down switch.	Replace switch.
	Defective door switch.	Replace switch.
	Door switch out of alignment.	Align switch.
	Faulty wiring.	Check condition of all wires & connections
Oven too hot or not hot enough	Thermostat out of calibration.	Check calibration/replace thermostat.
No spark to igniter	Disconnected or loose hi voltage wires.	Reconnect hi voltage wires.
	Defective DSI control module.	Replace DSI module
	No power to oven	Check power supply.
Spark to igniter, thermostat set to temperature. Burner does not go on.	Defective combination gas valve.	Replace valve.
	Defective thermostat controller.	Replace controller
Oven doors will not stay closed.	Broken or damaged door spring	Replace door spring

Wiring Diagrams can be found at the end of this manual. A relevant schematic can be found on the inside of the control panel when it is slid out for service.

# REPLACEMENT OF PARTS

**WARNING:** Turn off the gas supply to the appliance at the service cock and the electrical mains before commencing any servicing work.

**IMPORTANT:** Test for gas leakage on completion of any servicing work.

## Gas Taps

1. Pull the knob off of each gas tap and thermostat on the unit.
2. Remove the screws securing the fascia panel and remove panel and grease drawer.
3. Remove the appropriate burner (if necessary) following the procedure given in the section on Main Burner Cleaning.
4. Disconnect the thermocouple connection at the gas tap.
5. Disconnect the pilot and main burner tubing connections at the gas tap.
6. Disconnect the tubing connection at the inlet of the gas tap and remove the tap.
7. Replace with the new tap.
8. Reassemble in the reverse order.

## Door Switch

1. Remove the lower kick panel.
2. Disconnect the wires from the terminals on the body of the switch.
3. Remove the screws securing the door switch to the mounting bracket and remove the door switch.
4. Replace the faulty door switch.
5. Make certain that the newly installed door switch is properly adjusted so as to interrupt the power supply to the gas control system and fan motor when the oven doors are opened.

## Control Panel Rocker Switches

1. Remove the fastener securing the control compartment access panel.
2. Slide out the control drawer to access the switch.

3. Disconnect the wires from the taps on the switch. Be sure to note which wire connects to which terminal on the switch.
4. Depress the tabs of the switch body and push the switch through the opening in the control panel.
5. Replace the switch and reassemble in the reverse order.

## Thermostat

1. Remove the fastener securing the control compartment access panel.
2. Slide out the control drawer to access the thermostat.
3. Remove the dial from the thermostat and the screws securing the thermostat body to the control panel.
4. Remove the wires from the thermostat terminals. Be sure to note which wire connects to which terminal on the thermostat.
5. Remove the thermostat sense bulb.
6. Replace the faulty thermostat and reassemble in the reverse order.

## Heat-On Lamp

1. Remove the fastener securing the control compartment access panel.
2. Slide out the control drawer to access the lamp.
3. Disconnect the supply wires to the lamp body and remove the faulty lamp.
4. Reassemble in the reverse order.

## Gas Control Valve

1. Remove the fastener securing the control compartment access panel.
2. Slide out the control drawer.
3. Remove the main body side panel to access the gas train.
4. Break the pipe union connection at the inlet of the gas control and the 7/16" union connection located at the outlet of the control.
5. Remove the wires from the connections to the gas valve. Be sure to note which wires connect to which terminal before doing so.

# REPLACEMENT OF PARTS continued

6. Replace the control and reassemble in the reverse order.

## Front Cooling Fan

1. Remove fastener securing the control compartment access panel.
2. Slide out the control drawer.
3. Disconnect the fan supply harness from the unit wiring harness.
4. Remove fasteners retaining the fan and set aside.
5. Replace the faulty motor.
6. Reassemble in the reverse order.

## Motor

1. Open the oven doors.
2. Remove the oven racks and guides.
3. Remove the two (2) wing screws securing the fan guard and remove the guard.
4. Using an allen head wrench loosen the screw securing the blower wheel to the motor shaft and remove the wheel.
5. Remove the four (4) screws securing the motor mount plate to the oven casing back and pull the plate forward into the oven compartment.
6. Disconnect the motor wire connections (note which wire connects to which) and replace faulty motor.
8. Reassemble in the reverse order.

## Ignition Control

1. Remove the fastener securing the control compartment access panel.
2. Slide out the control drawer to access the lamp.
3. Disconnect the supply wires to faulty ignition control (noting the wire connections)
4. Replace the faulty control.
6. Reassemble in the reverse order.

## Hot Top Ignition Momentary Switch

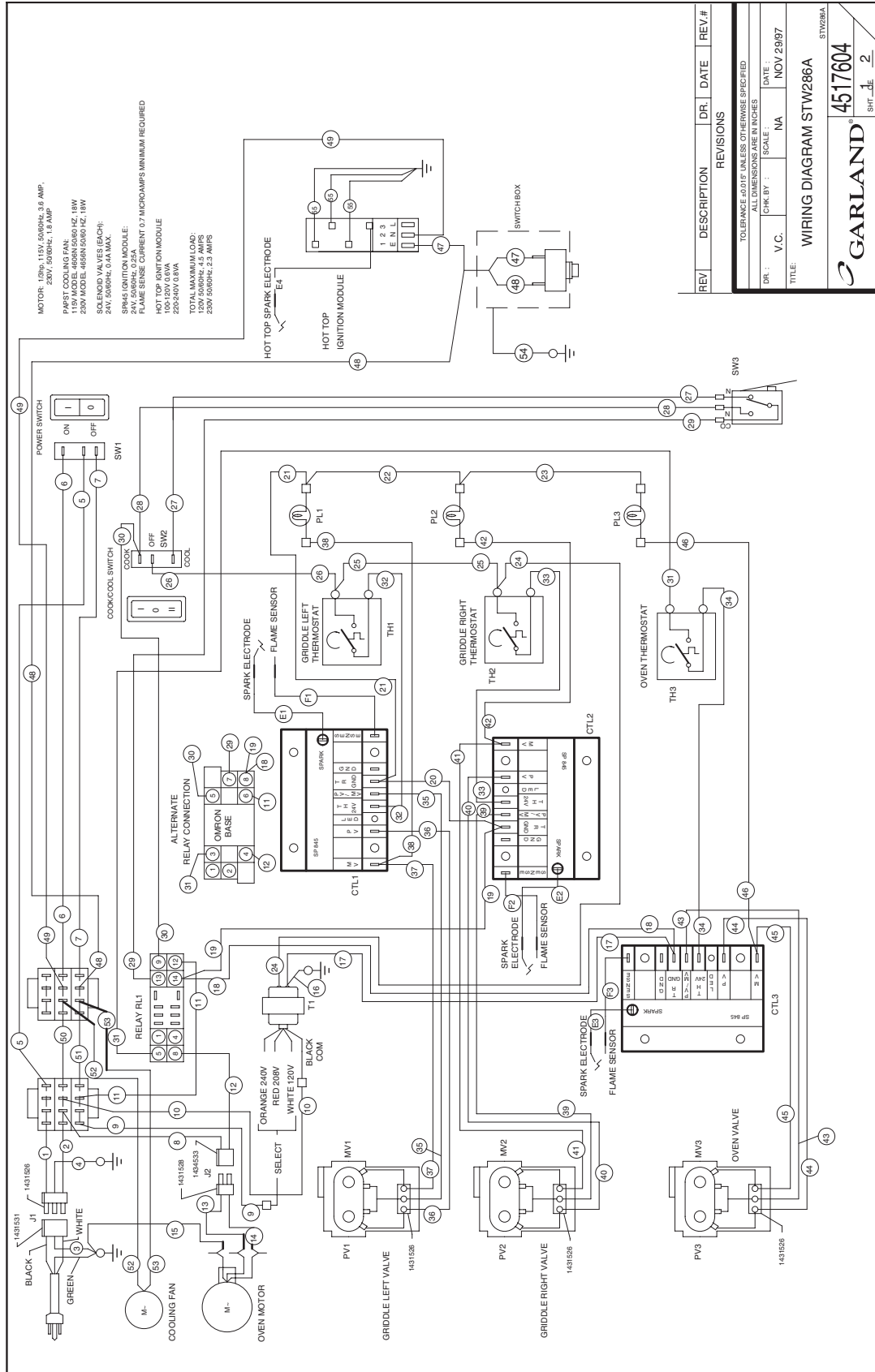
1. Remove the griddle grease drawer.
2. Remove the fasteners securing the front panel.
3. Remove the nuts securing the switch box to the front panel.
4. Disconnect the 2 wires to the switch.
5. Unscrew the switch from the front panel.
6. Replace the switch and reassemble in reverse order.

## Hot Top Spark Generator

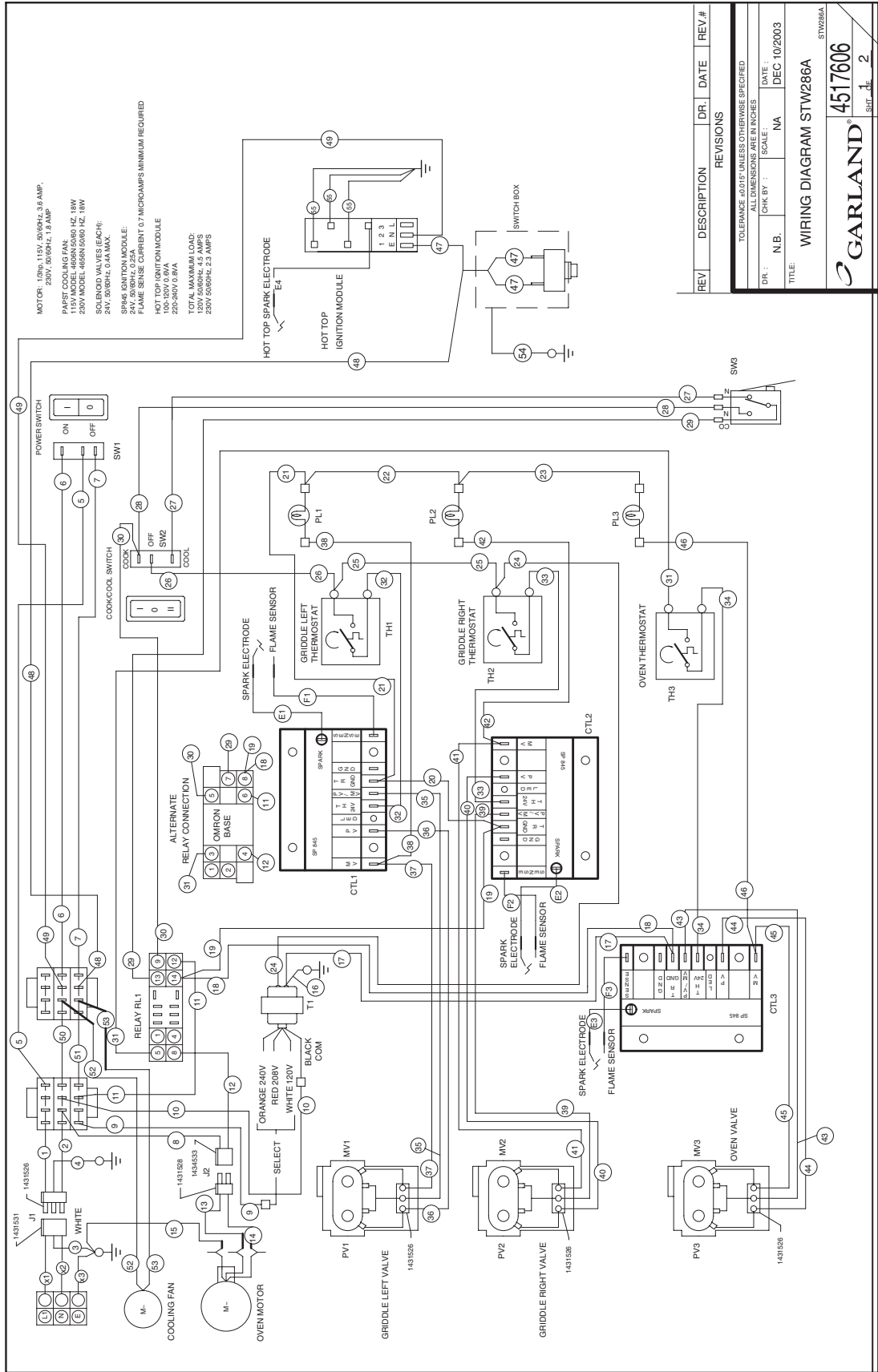
1. Remove the fastener securing the control compartment access panel.
2. Slide out the control drawer to access the generator module.
3. Disconnect the wires to the generator.
4. Remove fastener retaining the generator.
5. Replace the faulty module and reassemble in reverse order.

# WIRING DIAGRAMS

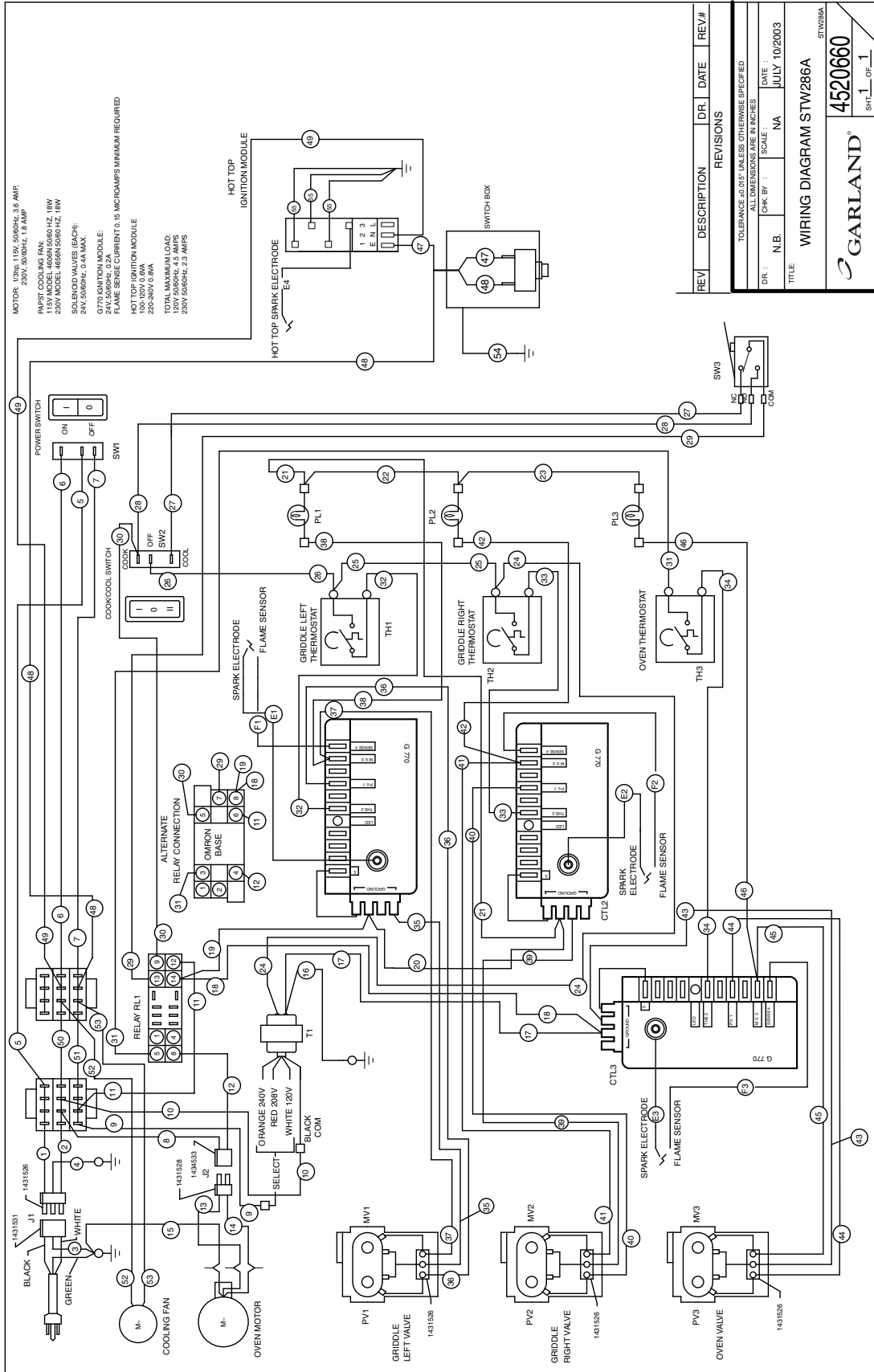
## For Models Manufactured Up To Oct /04/2005, Serial # 0509100130513 & Models Manufactured From Mar/24/2009 S/N 090310010823 M/D STW280A-0009 (With Robertshaw Ignition Control Module)



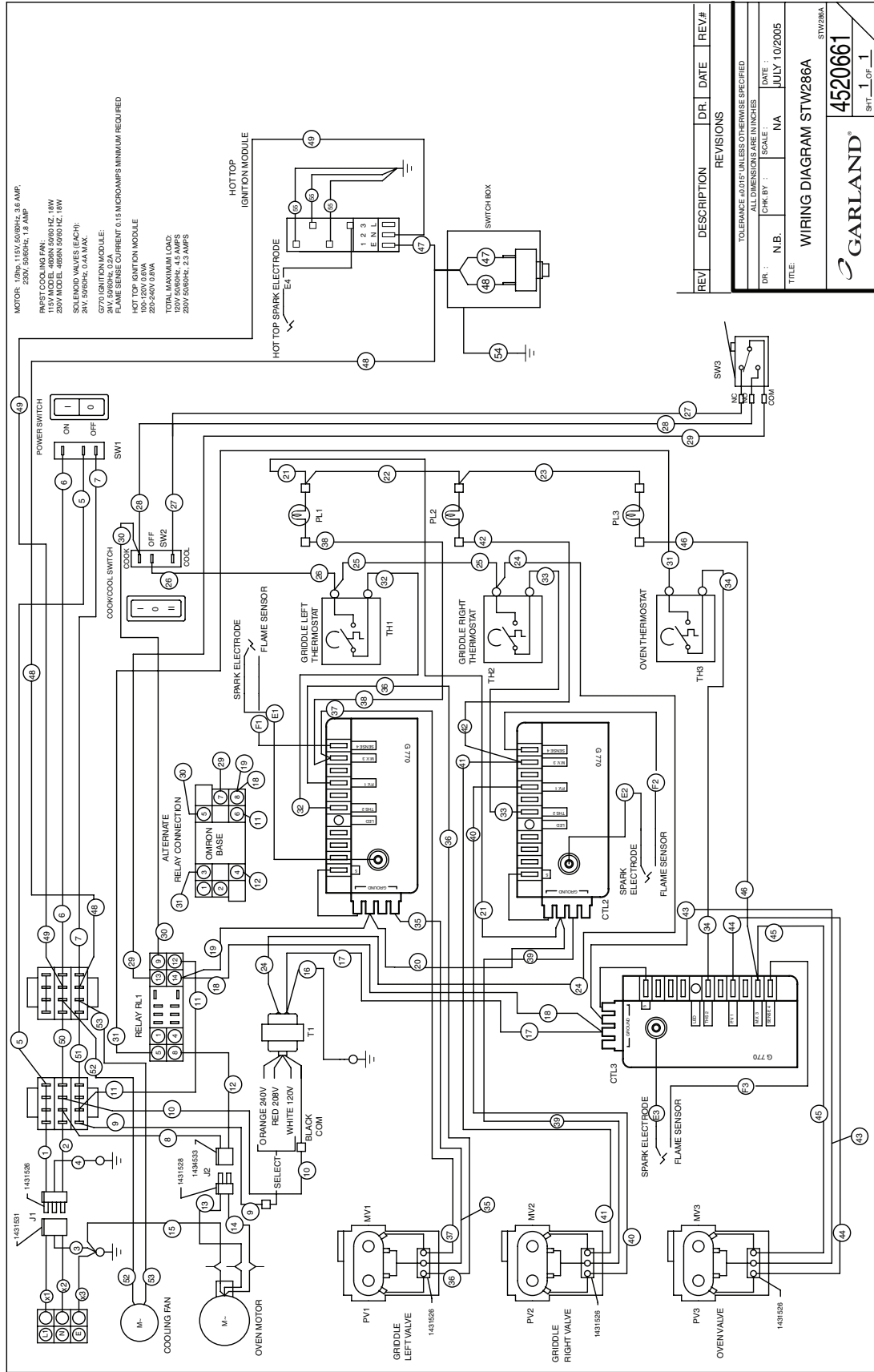
**For Models Manufactured Up To Oct /04/2005, Serial # 0509100130513  
Models Manufactured From Mar/24/2009 S/N 0903100100823 M/D STW286a-0009  
(With Robertshaw Ignition Control Module)**



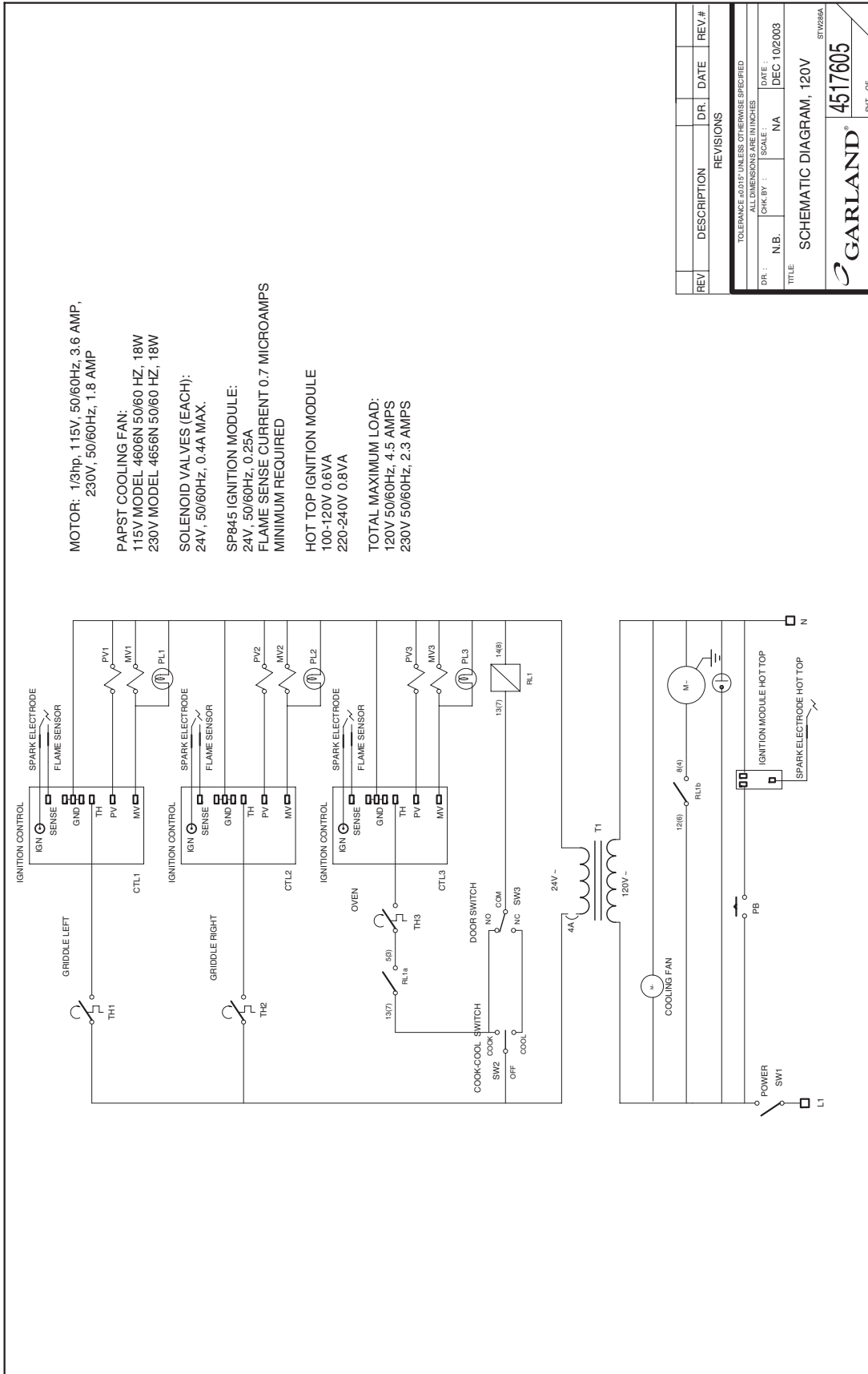
## For Models Manufactured From Oct /05/2005, Serial # 0510100130790 To Mar/23/2009 S/N 0903100100822 (With Johnson Control Module)



**For Models From Oct /05/2005, Serial # 0510100130790 To Mar/23/2009 S/N 0903100100822  
(With Johnson Control Module)**



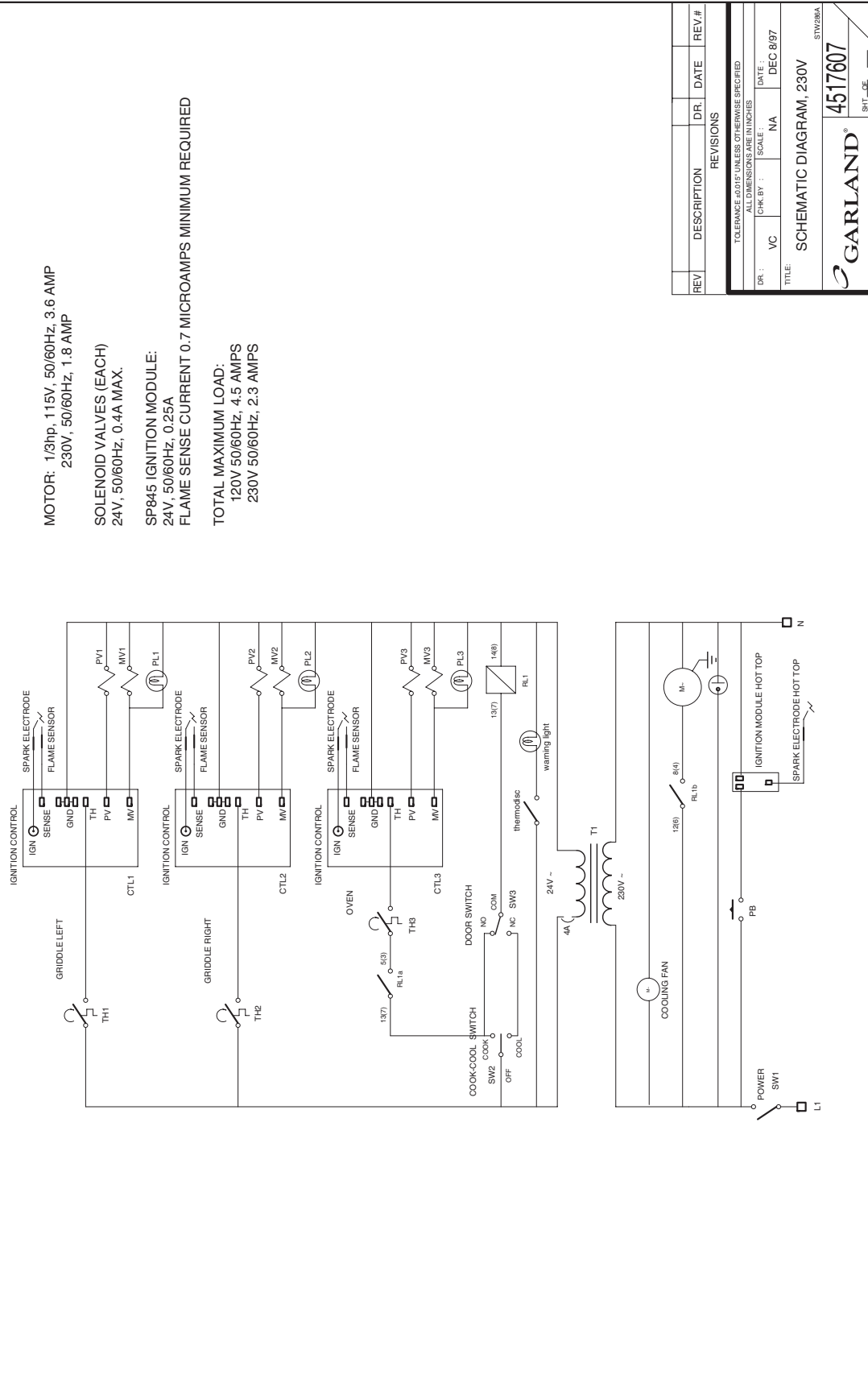
## For All Models





# WIRING DIAGRAMS continued

## For All Models



MOTOR: 1/3hp, 115V, 50/60Hz, 3.6 AMP  
230V, 50/60Hz, 1.8 AMP

SOLENOID VALVES (EACH)  
24V, 50/60Hz, 0.4A MAX.

SP845 IGNITION MODULE:  
24V, 50/60Hz, 0.25A

FLAME SENSE CURRENT 0.7 MICROAMPS MINIMUM REQUIRED

TOTAL MAXIMUM LOAD:

120V 50/60Hz, 4.5 AMPS  
230V 50/60Hz, 2.3 AMPS

REV	DESCRIPTION	DR.	DATE	REV.#
REVISIONS				
TOLERANCE .0015 UNLESS OTHERWISE SPECIFIED.				
ALL DIMENSIONS ARE IN INCHES				
DR :	VC	CHK BY :	SCALE :	DATE :
				DEC 8/97
TITLE:				
SCHEMATIC DIAGRAM, 230V				
				STW286A
<b>GARLAND</b>				
<b>4517607</b>				
				SHT. OF

### Revision History

Rev	Page	Description	Date
12		Part list removed - was on page 20 to 27.	Oct 27/10
		Removed Garland Commercial Industries, front Cover	



 **Garland**<sup>®</sup>

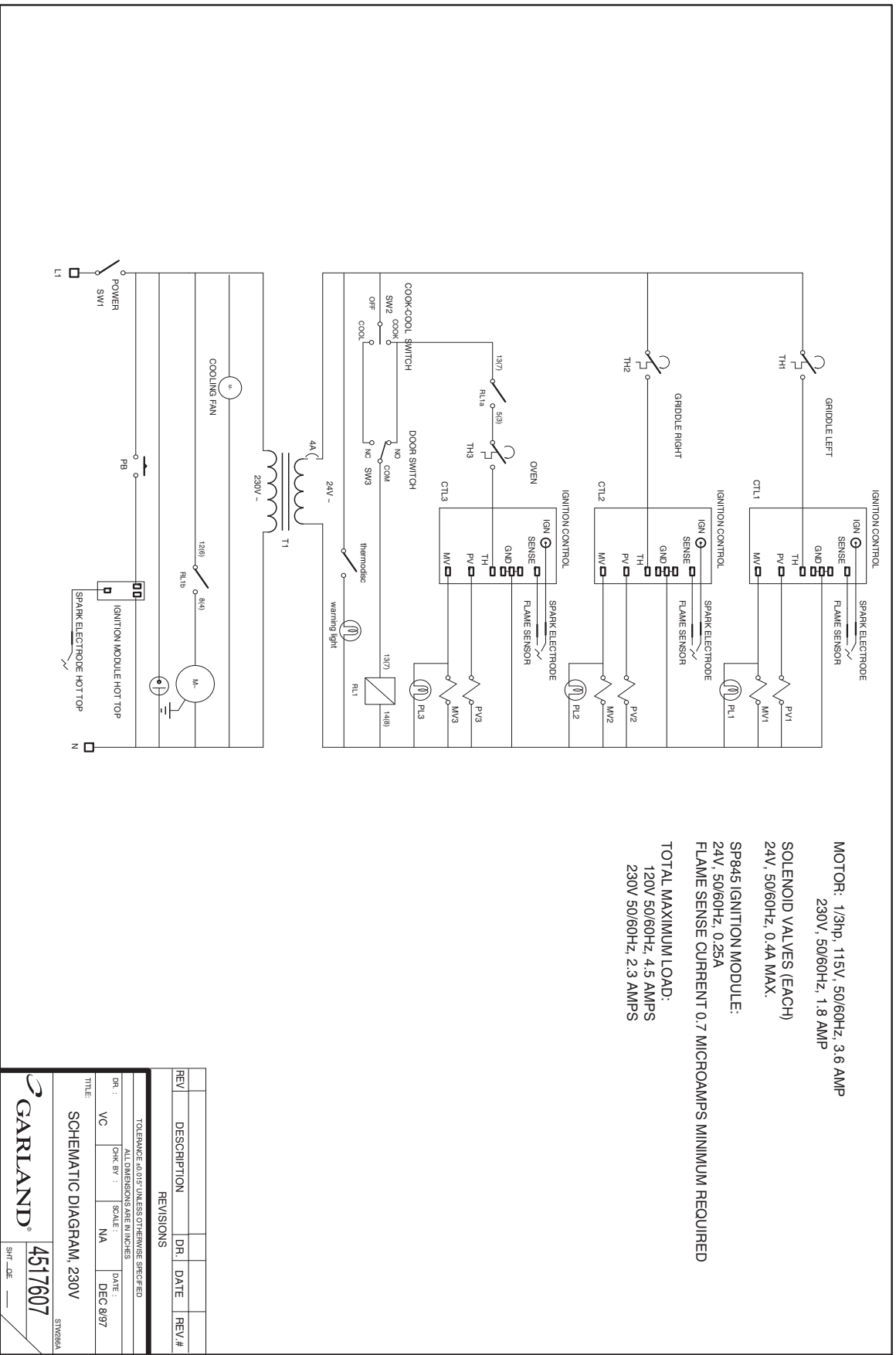
**Garland**  <sup>TM</sup>



**HISTORIQUE DE LA RÉVISION**

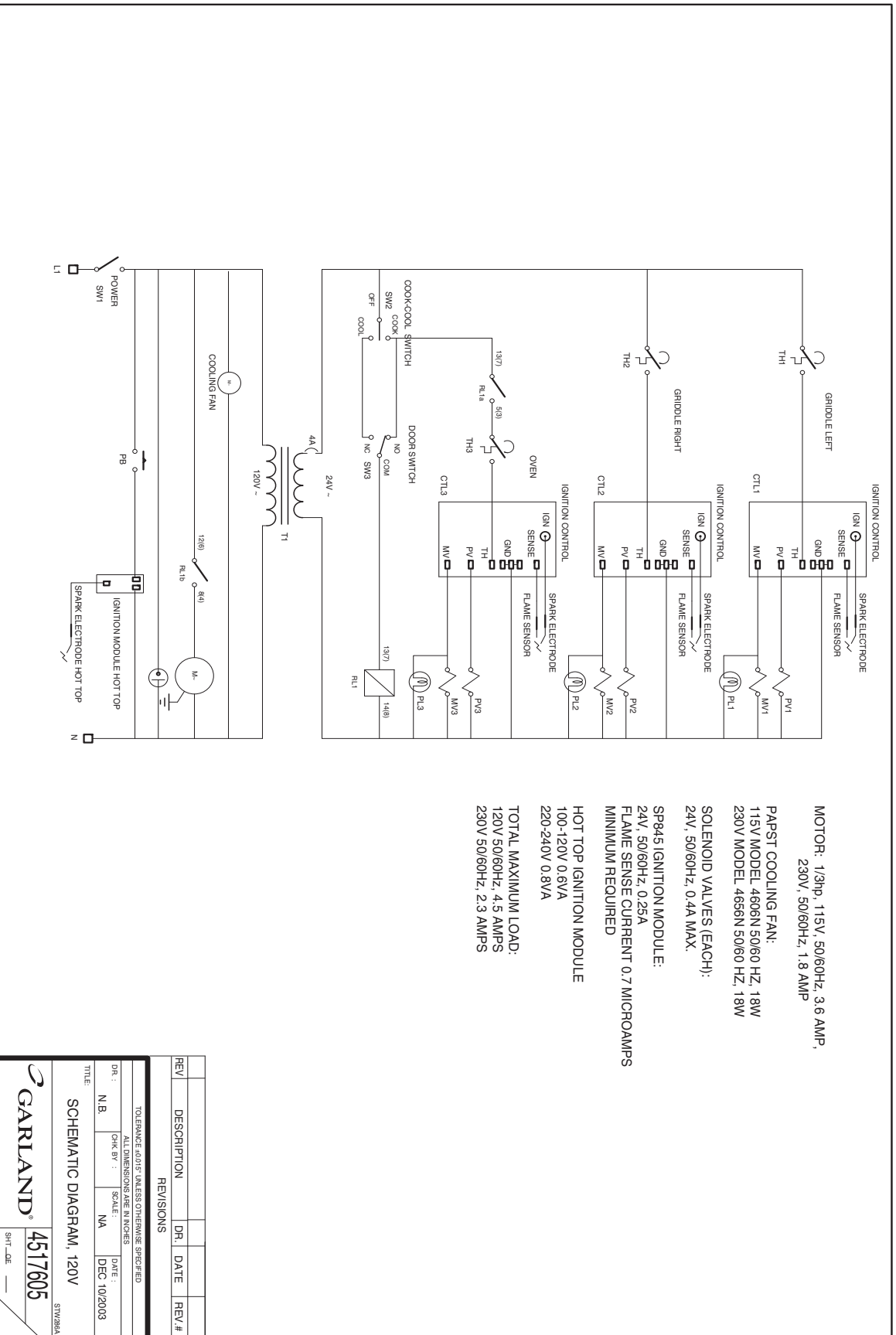
Rev	Page	Description	Date
0		INSTRUCTIONS D'INSTALLATION ET D'UTILISATION SORTI (Book released)	Oct 27/10

Pour tous les modèles



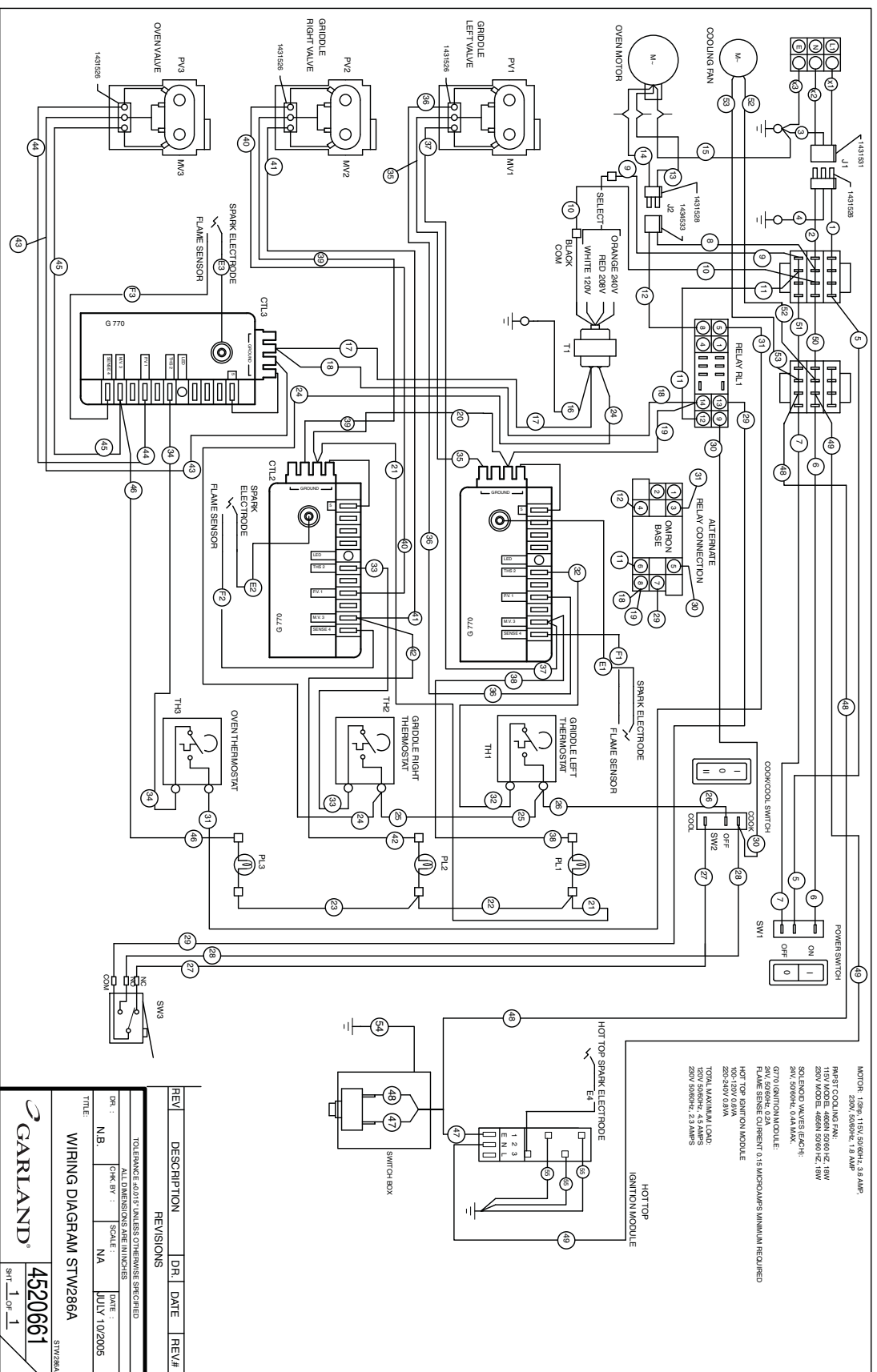


Pour tous les modèles



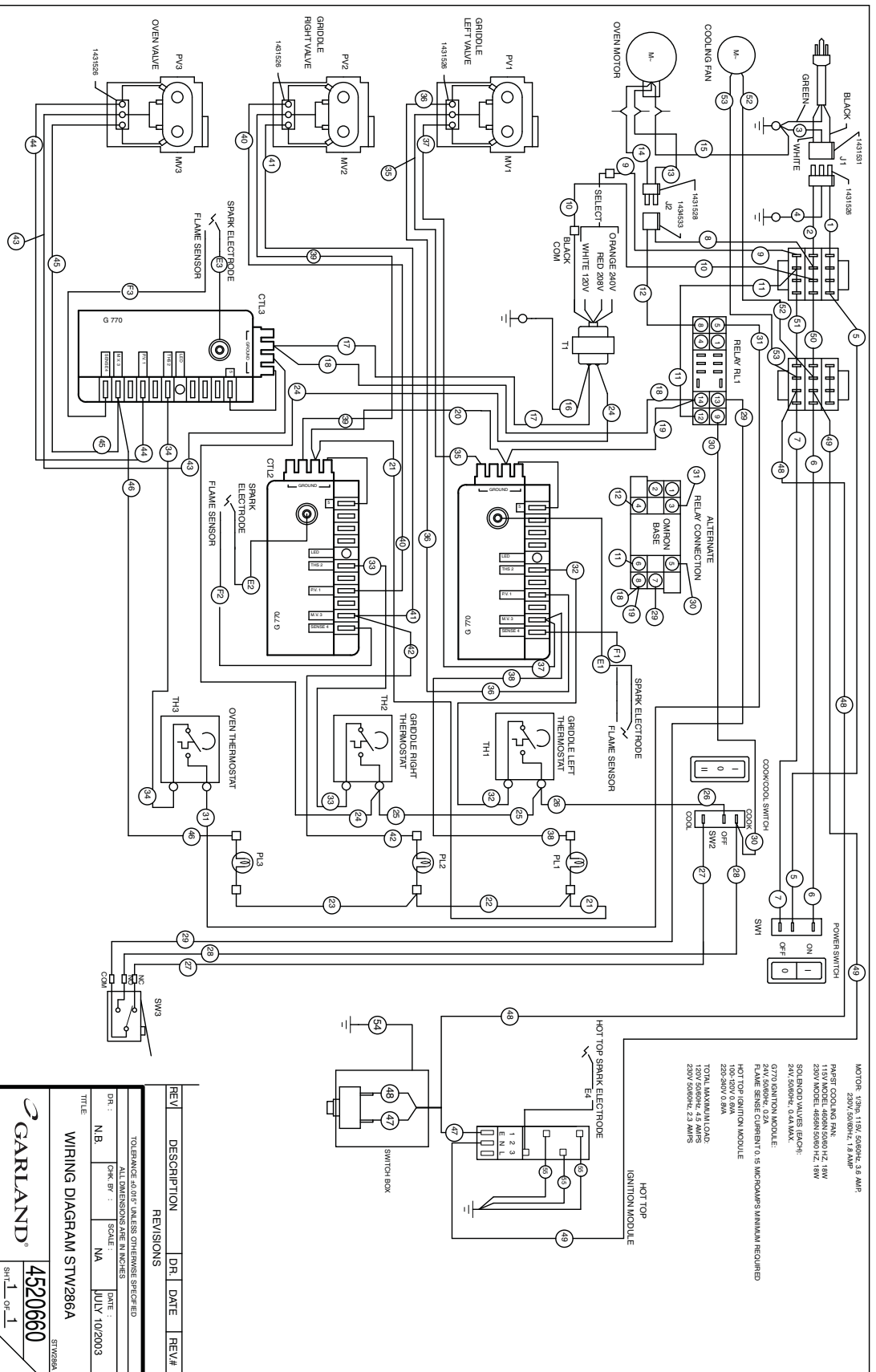
REV	DESCRIPTION	DR.	DATE	REV. #
REVISIONS				
TOLERANCE .005 UNLESS OTHERWISE SPECIFIED				
ALL DIMENSIONS ARE IN INCHES				
DR :	CHK BY :	SCALE :	DATE :	
N.B.	NA	NA	DEC 10/2003	
TITLE				
SCHEMATIC DIAGRAM, 120V				
GARLAND®		4517605		STW286A
		SHT. COE		

**Pour les modèles fabriqués entre le05 oct 2005, n° de série 0510100130790 et le23 mars 2009 S/N 0903100100822  
(avec module de commandeJohnson)**



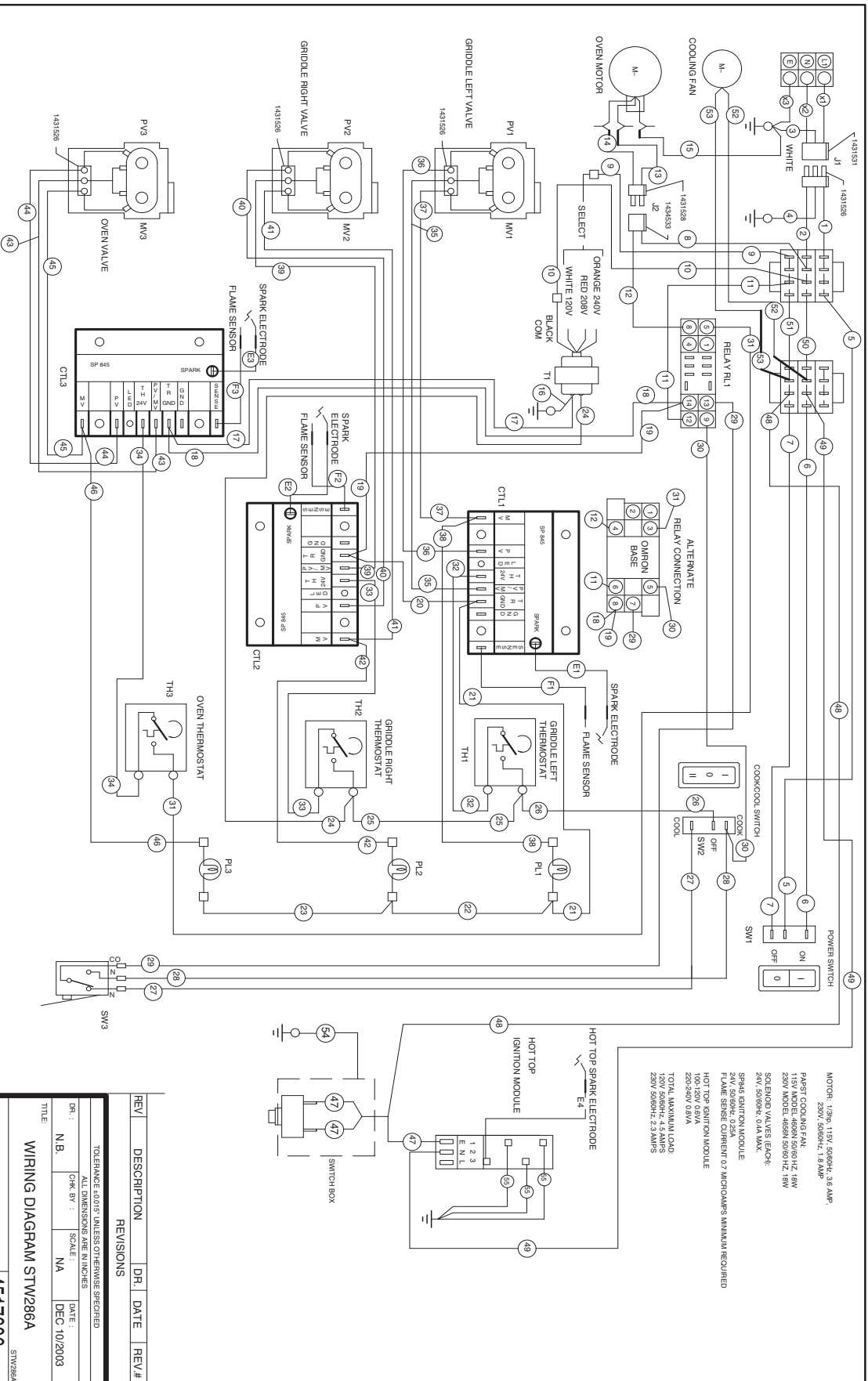
REV#	DESCRIPTION	DR.	DATE	REV#
<b>REVISIONS</b>				
TOLERANCE ADJUSTMENTS OPERABLE SPECIFIED				
ALL DIMENSIONS ARE IN INCHES				
SCALE				
DR.:	N.B.	CRK BY:	SCALE:	DATE:
			NA	JULY 10/2005
TITLE: <b>WIRING DIAGRAM STW286A</b>				
PART: <b>4520661</b>				
REV: <b>STW286A</b>				
SHEET: <b>1 OF 1</b>				

**Pour les modèles fabriqués entre le05 oct 2005, n° de série 0510100130790 et le23 mars 2009 S/N 0903100100822  
(avec module de commandeJohnson)**



REV#	DESCRIPTION	DR	DATE	REV#
REVISIONS				
TOLERANCE ADJUST ON ALL DIMENSIONS SPECIFIED				
ALL DIMENSIONS ARE IN MILLIMETERS				
DR:	CHK BY:	SCALE:	DATE:	
N.B.		NA	JULY 10/2003	
TITLE: WIRING DIAGRAM STW286A				
GARLAND®				
				4520660
				SH 1 OF 1

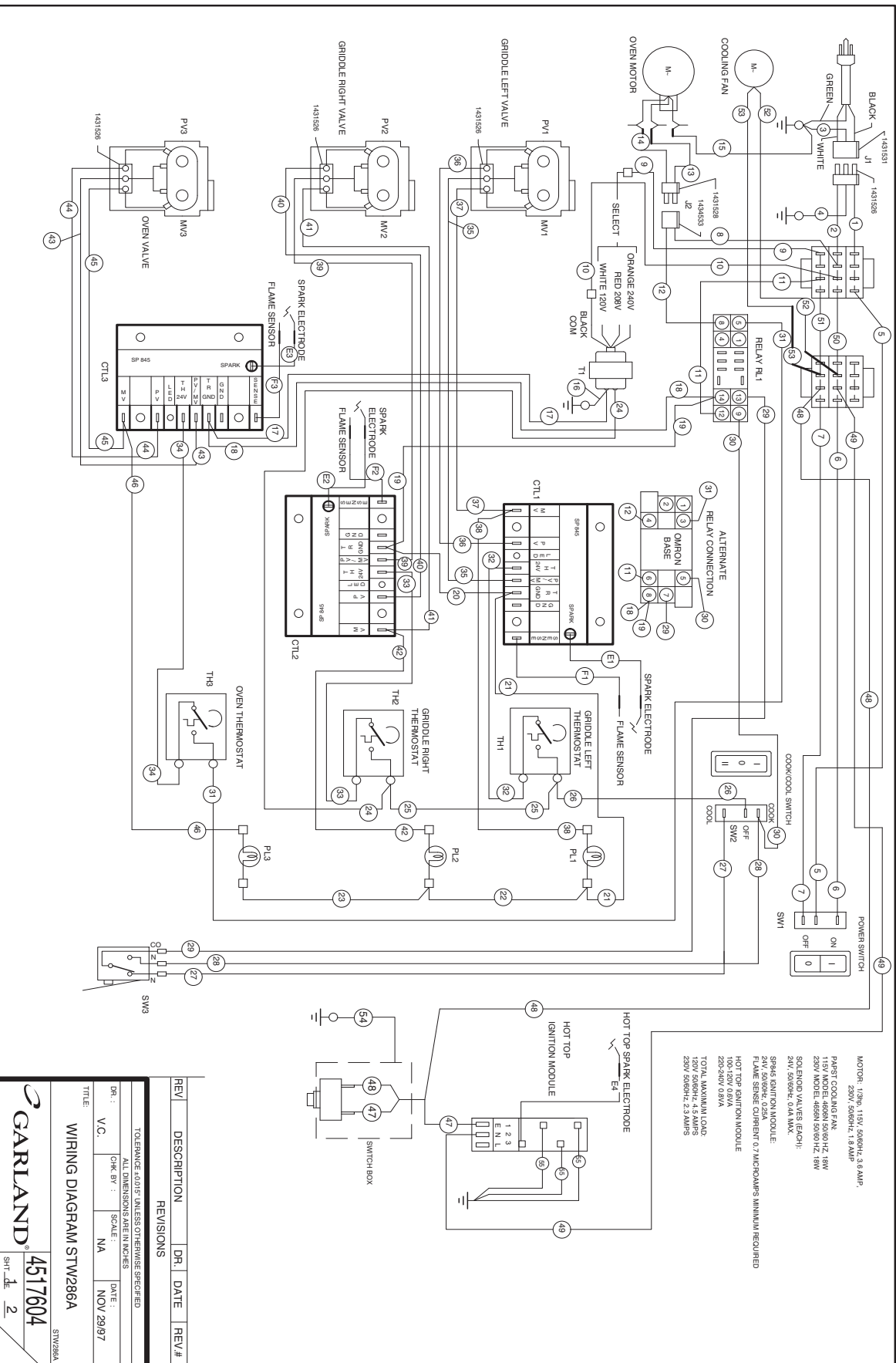
**Pour modèles fabriqués jusqu'au 4 octobre 2005, No de série 0509100130513 &  
Modèles fabriqués à partir du 24 mars 2009 S/N 0903100100823 M/D STW280A-0009  
(avec module de commande d'allumage Robertshaw)**



REV#	DESCRIPTION	DR.	DATE	REV.#
REVISIONS				
TOLERANCE .0013" UNLESS OTHERWISE SPECIFIED				
ALL DIMENSIONS ARE IN INCHES				
DR.:	N.B.	SCALE:	DATE:	
		NA	DEC 10/2003	
TITLE: WIRING DIAGRAM STW286A				

**GARLAND** 4517606  
STW286A  
SHT. de 2

**Pour modèles fabriqués jusqu'au 4 octobre 2005, No de série 0509100130513 &  
Modèles fabriqués à partir du 24 mars 2009 S/N 0903100100823 M/D STW280A-0009  
(avec module de commande d'allumage Robertshaw)**



REV.	DESCRIPTION	DR.	DATE	REV.#
REVISIONS				
TOLERANCE DIMS UNLESS OTHERWISE SPECIFIED				
ALL DIMENSIONS ARE IN INCHES				
DR. :	SCALE :	DATE :		
V.C. :	NA	NOV 29/97		
TITLE: WIRING DIAGRAM STW286A				
<b>GARLAND®</b>		4517604	STW286A	
		SHT. 1 de 2		

## Commande d'allumage

1. Retirer la fixation maintenant en place le panneau d'accès au compartiment de commande.
2. Faire glisser le tiroir de commande pour accéder à la lampe.
3. Débrancher les fils d'alimentation de la commande d'allumage déflecteuse (en notant les connexions des fils)
4. Remplacer la commande déflecteuse.
6. Remonter dans l'ordre inverse du démontage.

## Interrupteur à rappel d'allumage de plaque de cuisson

1. Retirer le tiroir à graisse du grill.
2. Retirer les fixations du panneau avant.
3. Retirer les écrous fixant le boîtier du commutateur au panneau avant.
4. Débrancher les 2 fils du commutateur.
5. Dévisser le commutateur du panneau avant.
6. Remplacer le commutateur et remonter dans l'ordre inverse du démontage.

## Générateur d'étincelles de plaque de cuisson

1. Retirer la fixation maintenant en place le panneau d'accès au compartiment de commande.
2. Faire glisser le tiroir de commande pour accéder au module du générateur.
3. Débrancher les fils du générateur.
4. Retirer la fixation du générateur.
5. Remplacer le module déflectueux et remonter dans l'ordre inverse du démontage.

## Ventilateur de refroidissement avant

4. Couper le raccord union de tuyau à l'entrée de la commande de gaz et le raccord union de 7/16 po situé à l'extérieur de la commande.
5. Retirer les fils des connexions au robinet de gaz. Ne pas oublier de noter quel fil est relié à quelle borne avant de procéder.
6. Remplacer la commande et remonter dans l'ordre inverse du démontage.

## Moteur

1. Ouvrir les portes du four.
2. Retirer les grilles du four et les guides.
3. Retirer les deux (2) vis à oreilles fixant la grille de protection du ventilateur et retirer la grille.
4. Avec une clé Allen, desserrer la vis fixant le ventilateur à l'arbre du moteur et retirer le ventilateur.
5. Retirer les quatre (4) vis fixant la plaque de montage du moteur à l'arrière du carter du four et tirer la plaque vers l'avant dans le compartiment du four.
6. Débrancher les fils de connexion du moteur (noter où chaque fil est connecté) et remplacer le moteur déflectueux.
8. Remonter dans l'ordre inverse du démontage.

**AVERTISSEMENT:** Couper l'alimentation en gaz de l'appareil au robinet de service ainsi que le courant électrique avant de commencer tout travail de réparation.

**IMPORTANT:** Vérifier s'il y a des fuites de gaz après tout travail de réparation.

## Robinet de gaz

1. Retirer en tirant le bouton de chaque robinet de gaz de l'appareil.

2. Retirer les deux écrous bornes fixant le panneau de façade et retirer le panneau.

3. Retirer le brûleur approprié (si nécessaire) en suivant la procédure donnée dans la section relative au nettoyage des brûleurs principaux.

4. Débrancher la connexion du thermocouple au robinet de gaz.

5. Débrancher les raccords de tuyauterie de veilleuse et de brûleur principal au robinet de gaz.

6. Débrancher le raccord de tuyauterie à l'entrée du robinet de gaz et retirer le robinet.

7. Remplacer par un robinet neuf.

8. Remonter dans l'ordre inverse du démontage.

## Interrupteur de porte

1. Retirer la plaque de bas de porte.

2. Débrancher les fils des bornes du corps d'interrupteur.

3. Retirer les vis fixant l'interrupteur de porte au support de montage et retirer l'interrupteur de porte.

4. Remplacer l'interrupteur de porte défectueux.

5. Vérifier que l'interrupteur de porte nouvellement installé est correctement ajusté de façon à interrompre l'alimentation du système de contrôle du gaz et du moteur de ventilateur quand les portes du four sont

ouvertes.

1. Retirer la fixation maintenant en place le panneau d'accès au compartiment de commande.

## Commande

### Commuteurs à bascule du panneau de

3. Retirer le panneau latéral de carrosserie principale pour accéder au circuit de gaz.

2. Faire glisser le tiroir de commande.

1. Retirer la fixation maintenant en place le panneau d'accès au compartiment de commande.

### Robinet de commande du gaz

4. Remonter dans l'ordre inverse du démontage.

3. Débrancher les fils d'alimentation du corps de la lampe et retirer la lampe défectueuse.

2. Faire glisser le tiroir de commande pour accéder à la lampe.

1. Retirer la fixation maintenant en place le panneau d'accès au compartiment de commande.

### Témoin de chauffage

6. Remplacer le thermostat défectueux et remonter dans l'ordre inverse du démontage.

5. Retirer le bulbe thermostatique du thermostat.

4. Débrancher les fils des bornes du thermostat. Ne pas oublier de noter quel fil est relié à quelle borne sur le thermostat.

3. Retirer le cadran du thermostat et retirer les vis fixant le thermostat au panneau de commande.

2. Faire glisser le tiroir de commande pour accéder au thermostat.

1. Retirer la fixation maintenant en place le panneau d'accès au compartiment de commande.

### Thermostat

5. Remplacer le commutateur et remonter dans l'ordre inverse du démontage.

4. Appuyer sur les languettes du corps du commutateur et pousser le commutateur dans l'ouverture du panneau de commande.

3. Débrancher les fils des bornes sur le commutateur. Ne pas oublier de noter quel fil est relié à quelle borne sur le commutateur.

2. Faire glisser le tiroir de commande pour accéder au commutateur.

**PROBLÈME CAUSES POSSIBLES SOLUTION**

<p>Commuteur de cuisson/ refroidissement réglé sur Cuisson. Éclairage éteint. Le moteur ne tourne pas</p>	Four non alimenté.	Vérifier l'alimentation électrique.	
	Commuteur cuisson / refroidissement défectueux	Remplacer le commutateur.	
	Câblage défectueux.	Vérifier l'état des fils et des connexions.	
	Interrupteur de porte défectueux.	Remplacer l'interrupteur	
	Porte du four entrouverte.	Fermer la porte.	
	Interrupteur de porte défectueux.	Remplacer l'interrupteur	
	<p>Commuteur de cuisson/ refroidissement réglé sur Cuisson. Éclairage éteint. Le moteur ne tourne pas.</p>	Porte du four entrouverte.	Fermer la porte.
		Interrupteur de porte désaligné.	Aligner l'interrupteur.
		Moteur défectueux.	Remplacer le moteur.
		Câblage défectueux.	Vérifier l'état des fils et des connexions
		Relais du moteur défectueux	Remplacer le relais
		Le robinet de gaz combiné ne s'ouvre pas.	Thermostat défectueux, le remplacer.
<p>Commuteur de cuisson/ refroidissement réglé sur Cuisson/ refroidissement réglé sur refroidissement; le moteur ne fonctionne pas.</p>	Le ventilateur frotte sur le déflecteur du four	Régler le ventilateur.	
	Ventilateur desserré sur l'arbre du moteur.	Resserer le ventilateur.	
	Moteur défectueux	Remplacer le moteur.	
	Commuteur cuisson / refroidissement défectueux.	Remplacer le commutateur.	
<p>Commuteur de cuisson/ refroidissement réglé sur refroidissement; le moteur ne fonctionne pas.</p>	Interrupteur de porte défectueux.	Remplacer l'interrupteur.	
	Interrupteur de porte désaligné.	Aligner l'interrupteur.	
	Câblage défectueux.	Vérifier l'état des fils et des connexions	
	Thermostat mal étalonné.	Vérifier l'étalonnage/remplacer le thermostat.	
<p>Four à convection bryant.</p>	Fils haute tension débranchés ou desserrés.	Rebrancher les fils haute tension.	
	Module de commande DSI défectueux.	Remplacer le module DSI	
	Four non alimenté	Vérifier l'alimentation électrique.	
<p>Pas d'étincelle à l'allumeur</p>	Étincelle à l'allumeur; thermostat réglé à la température. Le brûleur ne s'allume pas.	Remplacer le contrôleur	
	Les portes du four ne restent pas fermées.	Remplacer le ressort de porte	
	endommagé	Remplacer le ressort de porte	

Les schémas de câblage se trouvent à la fin du présent manuel. On peut trouver un schéma à l'intérieur du panneau de commande quand il est sorti pour les réparations.



# INSTRUCTIONS DE CONVERSION

Il est indispensable qu'une personne qualifiée effectue les réparations de l'équipement, conformément aux dispositions de la loi!

**AVERTISSEMENT** : Fermez l'alimentation en gaz de l'appareil au robinet d'isolement et l'alimentation électrique du secteur avant d'entreprendre tout travail d'entretien.

**IMPORTANT** : Vérifiez l'intégrité de la tuyauterie de gaz à la fin de tout travail d'entretien.

Les instructions suivantes ont pour but de présenter les opérations nécessaires à la conversion de l'équipement - passage d'un fonctionnement avec une famille de gaz à un fonctionnement avec une autre famille de gaz.

1. Assurez-vous que toutes les pièces nécessaires à la conversion ont été fournies comme suit :

- a. Raccords d'injecteur (Un par brûleur principal et un par injecteur de veilleuse).
- b. Régulateur, (un par unité).

Si l'une quelconque des pièces requises fait défaut, contactez votre concessionnaire Garland avant d'essayer d'effectuer la conversion.

2. Enlevez les brûleurs en suivant les instructions présentées plus haut dans le présent manuel.

3. Remplacer chaque raccord d'injecteur par le nouveau raccord fourni.

**NOTA** : Avant de continuer, consulter le tableau C du présent manuel pour s'assurer que l'injecteur correct a été fourni pour le type de gaz pour lequel la conversion est faite.

4. Remplacer le ressort du régulateur par le nouveau ressort fourni.

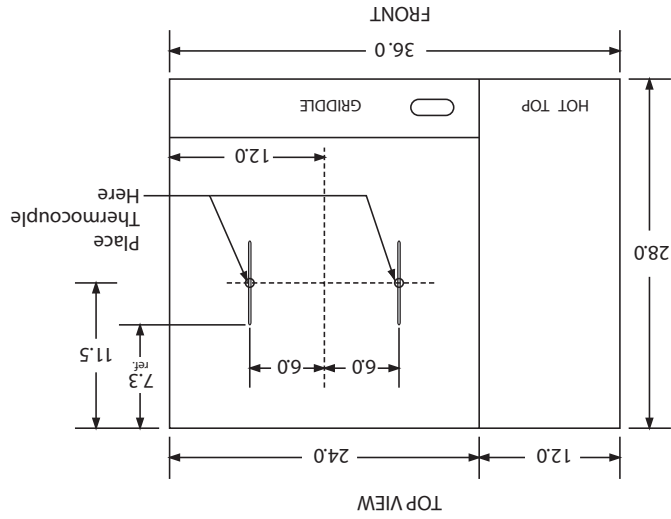
À la fin des opérations précédentes, suivre la section du manuel relative à la « Mise en service » et vérifier que la pression de réglage et tous les réglages de flamme des brûleurs sont ajustés en conséquence.

- En immobilisant l'axe, tourner avec un petit tournevis plat la vis d'étalonnage à l'intérieur de l'axe dans le sens des aiguilles d'une montre pour diminuer la température ou dans le sens contraire des aiguilles d'une montre pour augmenter la température. REMARQUE : Chaque 1/4 de tour de la vis modifie la température d'environ 25°F.
- Remettre en place le cadran du thermostat et répéter les étapes 1 à 3 pour vérifier que le réglage est correct.

## Divers

- Graisser les charnières de porte et vérifiez s'il y a des pièces de fixation desserrées. Serrez si nécessaire.
- Nettoyer la surface du grill à la brosse métallique pour éliminer les produits alimentaires cuits, laver à l'eau très chaude, bien sécher et remonter. Recouvrir les surfaces d'une fine couche d'huile végétale pour empêcher la formation de rouille.
- Essayez les surfaces nettoyables exposées à l'aide d'un détergent doux et d'eau chaude. Vous pouvez enlever les résidus persistants au moyen d'un tampon à récureur léger non métallique. Vous devez laver les parties en acier inoxydable à l'aide d'un détergent doux, d'eau chaude et d'un tissu doux. Si vous devez utiliser un tampon à récureur non métallique, frottez toujours dans le sens du grain du métal afin d'éviter toute rayure. N'EMPLOYEZ JAMAIS DE LAINE D'ACIER.
- Vérifiez le fonctionnement de tous les thermocouples et des dispositifs de sécurité de brûleur en allumant individuellement les veilleuses et en les éteignant en soufflant. Ecoutez si le robinet d'extinction de flamme se ferme en cliquant. Cela doit se produire dans 1 seconde suivant l'extinction de la flamme de brûleur principal.
- Nettoyer les grilles, les crémaillères et les guides du four avec de l'eau chaude savonneuse et les sécher soigneusement. Nettoyer l'intérieur du four avec un produit de nettoyage pour four du commerce en suivant les instructions du fabricant

- Pour trouver l'emplacement des bulbes thermostatiques, localiser le centre exact du grill. Mesurer 6 po à gauche et 6 po à droite. Placer le capteur de température à cet endroit.
- Vérifier la température du grill quand le thermostat vient juste de s'éteindre en appuyant fermement le thermocouple sur la surface du grill, directement au-dessus du bulbe thermostatique (consulter le schéma suivant pour voir comment trouver l'emplacement température devrait être comprise entre 285° F et 315° F. Si le résultat est hors de ces limites, étalonner comme indiqué ci-après:
- Retirer soigneusement le cadran, sans modifier la position de l'axe.



## Four à convection

1. Ouvrir la plaque de bas de porte.

2. Retirer les ressorts de porte du four gauche et droit. FAIRE

ATTENTION : la porte du four devra être soutenue pour

rester fermée.

3. Retirer les écrans protecteurs gauche et droit.

4. Retirer les deux (2) vis fixant le support de vieillissement et

débrancher la tuyauterie de vieillissement au raccord union.

5. Retirer le support d'injecteur et faire glisser le brûleur et la cuvette de brûleur hors de la chambre de combustion.

6. Nettoyer le brûleur avec une brosse dure et bien secouer le brûleur pour s'assurer qu'il n'y a plus de débris dans les orifices.

7. Remonter dans l'ordre inverse du démontage.

## Nettoyage du brûleur de vieillissement

1. Retirer les brûleurs principaux (voir la section relative au nettoyage des brûleurs principaux).

2. Débrancher le tuyau d'alimentation en gaz de l'injecteur

de vieillissement.

3. Retirer l'injecteur de vieillissement.

4. Nettoyer en soufflant dedans ou en lavant. Ne pas utiliser

de fil de fer pour nettoyer l'injecteur de vieillissement.

5. Remonter dans l'ordre inverse du démontage.

## Robinet de gaz

Il n'est pas recommandé de regraisser les robinets de gaz.

Si la tige de robinet est grippée ou difficile à tourner, voir la

section relative au remplacement des pièces dans ce manuel.

## Étalonnage du thermostat

### Four

Il est normal pour un thermostat hydraulique de se

déclencher avec un différentiel de température de 45° à 50°F.

Si le thermostat se déclenche au-delà de la tolérance de 15°

au-dessus ou en dessous du point de consigne, étalonner

de nouveau le thermostat ou, s'il n'est pas sous garantie,

consulter le propriétaire pour les mesures à prendre. Si le

thermostat est mal étalonné de plus de 50°, il est probable

qu'il ne supportera pas une tentative d'étalonnage. Nous

sugerons de remplacer le thermostat.

1. Placer le thermocouple de l'instrument d'essai au centre du four.

2. Tourner le cadran de commande de température du four

sur 400° F (205° C). Afin de laisser la température de l'huile

se stabiliser, il faut laisser la commande se déclencher

deux fois avant de faire une lecture d'essai.

3. Vérifier l'indication de température juste avant que la

commande ferme l'élément chauffant comme indiqué

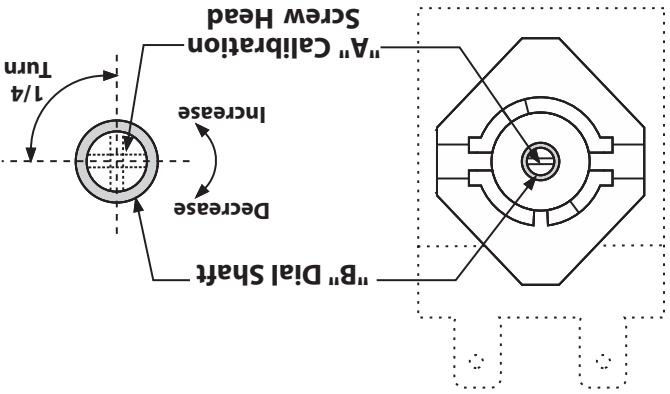
par le témoin de chauffage. Si la température indiquée

diffère de plus de 15° F (8° C) de la température du cadran,

réétalonner comme suit :

4. Retirer soigneusement le cadran du thermostat, sans

modifier le réglage du cadran.



5. En immobilisant l'axe, tourner avec un petit tournevis plat

la vis d'étalonnage à l'intérieur de l'axe dans le sens des

aiguilles d'une montre pour diminuer la température ou

augmenter la température. REMARQUE : Chaque 1/4

de tour de la vis modifie la température d'environ 25°

(14° C).

6. Remettre en place le cadran du thermostat et répéter les

étapes 1 à 3 pour vérifier que le réglage est correct.

### Gril

1. Utiliser un instrument d'essai avec un thermocouple

spécial de type à disque ou un pyromètre fiable de type

«surface». REMARQUE : une goutte d'huile sur la face du

disque assurera un meilleur contact avec la plaque.

2. Régler tous les thermostats de grils à 350° F (177° C). Pour

permettre à la température du gril de se stabiliser, il faut

laisser les thermostats cycler deux fois avant de mesurer

la température.

## Gril

### Instructions de nettoyage (après chaque utilisation)

1. Utiliser un grattoir standard de 64 à 76mm (2-1/2 à 3 po) ou une spatule pour gratter la surface du gril (pour retirer les particules d'aliments ou les résidus d'huile) vers la gouttière à graisse en poussant régulièrement d'arrière en avant. Déposer les débris dans la gouttière.

2. Verser du shortening ou de l'huile sur la surface du gril, en allant de l'avant vers l'arrière. Nettoyer le gril avec une pierre un grattoir à gril. Toujours frotter dans le sens du métal, mais de côté.

3. Avec un chiffon propre, appliquer une fine couche d'huile à friture sur la surface du gril.

4. Retirer le tiroir à graisse, le vider et le laver soigneusement avec un détergent doux et de l'eau. Recommencer.

### Instructions de nettoyage (Pour une accumulation importante)

**NOTA : Après avoir utilisé des produits de nettoyage et des dégraissants, apprêter de nouveau le gril.**

**NOTE :** Faire chauffer le gril pour de meilleurs résultats.

1. Utiliser un grattoir standard de 64 à 76mm (2-1/2 à 3 po) ou une spatule pour gratter la surface du gril (pour retirer les particules d'aliments ou les résidus d'huile) vers la gouttière à graisse en poussant régulièrement d'arrière en avant. Déposer les débris dans la gouttière.
2. Appliquer une couche régulière de produit de nettoyage sur la surface du gril et laisser agir selon les instructions. Suivre les procédures de l'étiquette pour chaque produit de nettoyage.
3. Avec un grattoir ou une spatule, gratter le produit de nettoyage du gril pour éliminer les accumulations.
4. Gratter la surface du gril vers la gouttière à graisse en poussant régulièrement d'avant en arrière. Répéter l'étape 2 si nécessaire.
5. Avec un détergent doux, nettoyer la surface et rincer soigneusement avec une solution d'eau et de vinaigre. Sécher le gril.
6. un chiffon propre, appliquer une fine couche d'huile à friture sur la surface du gril.

### Grils – À faire et ne pas faire

7. Apprêter de nouveau le gril comme indiqué ci-dessus. Le gril est maintenant prêt à être utilisé.

#### À faire

1. Apprêter le gril. Cela empêche les aliments de coller et permet de maintenir plus facilement la surface propre.
2. Maintenir la surface propre. En grattant la surface pendant toute l'utilisation pour éliminer les aliments et l'huile, on évite l'accumulation, on économise l'énergie et on empêche la plaque de surchauffer.
3. Réduire la température pendant les périodes de ralenti. En réduisant la température ou en éteignant certaines sections pendant les périodes de ralenti, et permet de maintenir plus facilement la surface propre.

#### À ne pas faire

1. Ne pas utiliser de sel pour nettoyer la surface du gril. Le sel est corrosif et peut causer des piqûres sur le gril.
2. Ne pas utiliser d'ustensiles métalliques (spatule, grattoir, etc) qui pourraient entailler et/ou creuser la surface du gril. Les bords de ces ustensiles sont coupants et vont créer des trous où l'huile peut s'accumuler et caraméliser, ce qui fera coller les aliments.
3. Ne pas utiliser le gril comme plaque chauffante. Une poêle ou une marmite de grand diamètre enfermera la chaleur ce qui causera un gauchissement des plaques du gril.
4. Ne pas régler les cadrans de thermostat au maximum pour préchauffer plus vite. Le préchauffage à la température souhaitée prend 15 à 20 minutes.

### Nettoyage des brûleurs Gril / Plaque de cuisson pleine

1. Soulever la plaque du gril. (Attention : Vous aurez besoin d'aide à cause du poids du gril).
2. Soulever l'arrière du brûleur et le faire glisser vers l'arrière pour dégager l'injecteur.
3. Nettoyer les brosses avec une brosse dure.
4. Bien secouer pour éliminer tous les débris.
5. Remonter dans l'ordre inverse du démontage.

**Allumage du four**

NOTA : Vérifier que les alimentations en gaz et électricité de l'appareil sont activées. Pendant le cycle d'allumage initial, il est nécessaire de purger l'air de la conduite de gaz et cela peut prendre une à deux minutes avant que la veilleuse ne s'allume.

- 1 Tourner le commutateur d'alimentation en position « ON » et le commutateur de cuisson /refroidissement « Cuisson ».
- 2 Régler le thermostat sur la température souhaitée.
- 3 En cas d'échec de l'allumage et/ou si le système d'allumage se verrouille, placer l'interrupteur d'alimentation électrique en position « O ».
- 4 Attendre cinq minutes, puis recommencer les étapes 1 et 2. Si le problème persiste, faire vérifier l'unité par un technicien compétent.

**MAINTENANCE ET NETTOYAGE**

Un entretien effectué régulièrement par une personne

compétente est recommandé pour assurer un

fonctionnement sécuritaire et efficace des appareils. La

fréquence varie en fonction des conditions d'installation et

de l'usage. En général, une fois par an convient.

**AVERTISSEMENT :** Couper l'alimentation en gaz de l'appareil

au robinet de service ainsi que le courant électrique avant de

commencer tout travail de réparation.

**IMPORTANT :** Vérifier s'il y a des fuites de gaz après tout

travail de réparation.

Un calendrier de nettoyage régulier doit être établi pour

assurer un fonctionnement efficace.

**AVERTISSEMENT :** Cet appareil n'est pas protégé contre les

jets d'eau. Ne pas nettoyer avec un jet d'eau.

**Acier inoxydable**

L'acier inoxydable devra être nettoyé avec un détergent

doux, un chiffon et de l'eau chaude. S'il est nécessaire

d'utiliser un tampon à récure non métallique, frotter

toujours dans le sens du grain afin d'éviter de rayer le métal.

Laver une petite surface à la fois, rincer la surface lavée avec

une éponge trempée dans un produit désinfectant et sécher avec un chiffon doux propre avant que la surface ait séché.

**Arrêt**

1. Placer le thermostat sur le réglage le plus bas et tourner l'interrupteur d'alimentation en position « O ».

**Suggestions d'utilisation**

1. Tourner l'interrupteur d'alimentation en position « O » quand la cuisinière n'est pas utilisée.
2. Nettoyer la cuisinière dès que possible après avoir cuit

des produits très acides à base de tomate ou de vinaigre. Ces aliments peuvent causer des piqûres sur la surface.

3. Laisser le four préchauffer avant d'ajouter le produit.

4. En cas d'interruption de l'alimentation électrique, tourner l'interrupteur d'alimentation en position « O ». Le four ne

peut pas fonctionner sans alimentation électrique

Utiliser uniquement des outils en acier inoxydable, en bois ou en plastique pour gratter si nécessaire les résidus tenaces de graisses ou d'huiles. Ne pas utiliser de grattoirs ni de couteaux en acier ordinaire, car des particules de fer risquent de s'incruster dans les surfaces et rouiller NE JAMAIS UTILISER DE LAINE D'ACIER.

**Filtre d'évacuation**

Inspecter le filtre d'évacuation avant chaque semaine; si

lors de l'inspection le filtre semble sale, il doit être nettoyé

à la main avec de l'eau chaude et du détergent à vaisselle.

Le filtre est retiré facilement en le faisant glisser hors du

panneau avant de l'unité.

**Surfaces émaillées/peintes**

Etablir un calendrier de nettoyage régulier. Tout

déversement devra être essuyé immédiatement. On

devra laisser le four refroidir avant de nettoyer les surfaces

extérieures. Essuyer les surfaces exposées lavables une fois

refroidies avec un détergent doux et de l'eau chaude. Les

résidus incrustés peuvent être retirés avec un tampon à

récure léger non métallique. Sécher soigneusement avec un

chiffon propre.

3. En cas d'échec de l'allumage et/ou si le système d'allumage se verrouille, placer l'interrupteur d'alimentation électrique en position « O ».

4. Attendre cinq minutes, puis recommencer les étapes 1 et 2. Si le problème persiste, faire vérifier l'unité par un technicien compétent.

## Apprêtage du grill

1. Avec un chiffon propre, appliquer une couche régulière d'huile sur la surface du grill. On devra utiliser du shortening non salé ou une huile de cuisson haute température.

2. Régler le thermostat du grill sur 131°F (55°C) et chauffer la surface du grill jusqu'à ce que l'huile commence à caraméliser (prendre une couleur brun doré). Quand cela se produit, tourner le thermostat sur « O ».

3. Gratter l'huile caramélisée avec une spatule standard.

4. Répéter l'étape 1 et régler le thermostat du grill à 275°F (135°C).

5. Répéter les étapes 2 et 3. Le grill est maintenant prêt et prêt à être utilisé.

## Arrêt

1. Placer le thermostat sur le réglage le plus bas et tourner l'interrupteur d'alimentation en position « O ».

## Plaques cuisson pleines (STW286A)

Les plaques de cuisson sont recommandées pour la cuisson longue en marmite des soupes, sauces ou bouillons. Les marmites peuvent être placées n'importe où sur la plaque chauffante. Le diamètre maximal d'une marmite à utiliser sur la plaque chauffante est de 12 pouces (305 mm).

Un temps de préchauffage de 30 minutes est recommandé. Ce délai permettra de saturer la plaque de chaleur. Les marmites doivent avoir un fond plat pour un contact maximal avec la surface de la plaque de cuisson. Les plaques à rôtir avec des pattes ne doivent jamais être utilisées sur une plaque chauffante car seules les pattes toucheront la surface chauffée et le transfert de chaleur sera minimal.

## Allumage de la plaque de cuisson pleine

1. Enfoncer le robinet et le tourner dans le sens inverse des aiguilles d'une montre jusqu'à la position "★";

2. En maintenant le robinet enfoncé, appuyer sur le bouton de l'allumeur et vérifier que la veilleuse s'allume. Si elle ne s'allume pas, continuer d'appuyer sur le bouton de l'allumeur jusqu'à ce qu'elle s'allume.

3. Une fois la veilleuse allumée, continuer de maintenir le robinet enfoncé pendant 20 secondes, puis le relâcher. Si la veilleuse s'éteint, attendre 5 minutes et recommencer à partir de l'étape 1.

4. Quand la veilleuse est bien allumée, appuyer de nouveau sur le robinet et le tourner complètement dans le sens contraire des aiguilles d'une montre jusqu'à la position "Δ" pour allumer le brûleur principal.

5. Pour obtenir une flamme basse ou pour mijoter, appuyer sur le robinet et le tourner dans le sens contraire des aiguilles d'une montre jusqu'à la position de flamme basse "∇".

6. Pour éteindre le brûleur, tourner le cadran à la position "●" et le dispositif de sécurité se désengagera dans un délai de 60 secondes.

## Four

La température est commandée automatiquement par le thermostat, de façon à obtenir à chaque fois des résultats satisfaisants. Pour obtenir les meilleurs résultats possible, suivre les instructions ci-dessous :

GRILLES : Il y a trois positions des grilles. La position correcte dépend de la taille du produit à cuire. Toujours pousser la grille dans le four jusqu'à ce qu'elle touche le fond du four.

TABLE DES PLATEAUX : On peut placer un plateau à gâteaux sur chaque grille. Les plateaux ou les plats ne doivent pas dépasser de la grille dans aucun sens, car cela empêchera la chaleur de circuler correctement.

TEMPS DE PRÉCHAUFFAGE - Attendre au moins 45 minutes après avoir allumé le four froid, avec le thermostat réglé à la température souhaitée, avant de charger les aliments à cuire. Placer les aliments rapidement et fermer la porte du four.

## Fours à convection

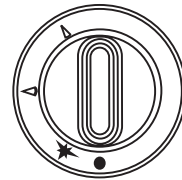
Le four de cuisson à air pulsé est une chambre de préparation des aliments complètement isolée de la zone de combustion. Cela assure une méthode efficace de circulation de l'air chauffé à l'intérieur de la chambre de combustion.

## Problèmes de sécurité

Il est de la responsabilité du superviseur ou d'une personne équivalente de s'assurer que les utilisateurs de cet équipement portent des vêtements de protection adaptés et d'attirer leur attention sur le fait que certaines pièces deviennent très chaudes par nécessité et causeront des brûlures si on les touche.

## Commandes

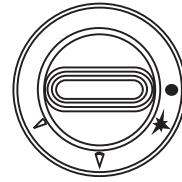
PLAQUE CHAUFFANTE  
PLEINE (STW286A)



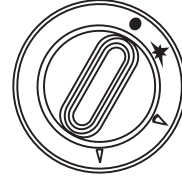
ÉTEINT



ALLUMAGE

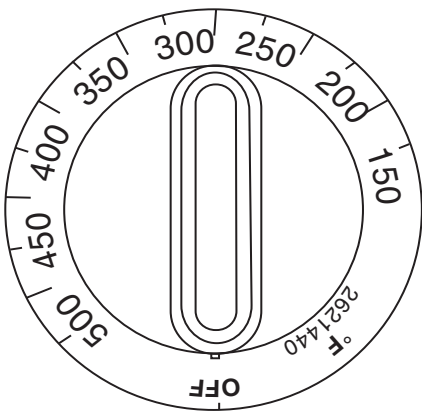


FLAMME MAXIMALE



FLAMME BASSE

PLAQUE CHAUFFANTE FOUR/GRIL



## Grils

Les grils sont conçus pour cuire les aliments directement sur leur surface. Ne pas placer de pot ni de plats à la surface du gril. Cela risque de rayer ou d'entailer la surface et de causer des problèmes de cuisson ou d'adhérence des aliments. Ne jamais saler les aliments sur un gril car un résidu collant s'accumulera, rendant difficile le nettoyage du gril.

Éviter de heurter la surface du gril avec le bord d'une spatule car cela causera des entailles. Les températures le plus souvent utilisées vont de 300°F (149°C) à 350°F (177°C). Après une cuisson, la plaque du gril va se décolorer. Cela est normal et n'affectera pas les résultats de cuisson.

Vérifier et vider fréquemment le contenant à graisse en cas d'utilisation intensive pour éviter tout débordement.

## Préparation d'un gril neuf

1. Éliminer le revêtement de protection de la surface avec un détergent doux.

2. Bien rincer le gril avec une solution d'eau et de vinaigre (3/4 de tasse de vinaigre pour un litre d'eau) et sécher.

## Allumage du gril

NOTA : Vérifier que l'alimentation en gaz et électrique de l'appareil est sur « ON ». Pendant le cycle d'allumage initial, l'air doit être purgé de la conduite de gaz et cela peut prendre deux ou trois essais pour que l'allumage se produise.

1. Placer le commutateur d'alimentation en position « ON ».
2. Régler le thermostat sur la température souhaitée.



**Mise en service :**

La totalité de l'installation du gaz, y compris le compteur, doit être inspectée, purgée et testée pour vérifier la présence de fuite, conformément aux codes locaux.

1. S'assurer que toutes les commandes sont en position d'arrêt, ouvrir l'alimentation principale en gaz et mettre l'appareil sous tension.

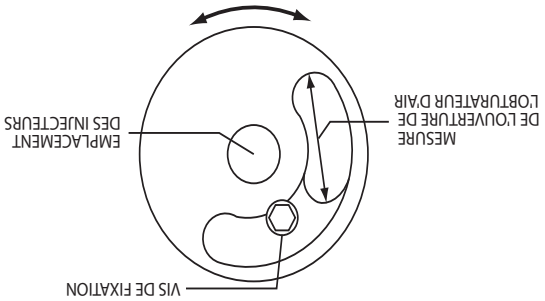
2. Retirer les vis fixant la façade avant et brancher un manomètre en U au point d'essai de pression du collecteur principal. Faire fonctionner les brûleurs principaux conformément aux instructions du guide de l'utilisateur.

3. Vérifier que la pression de réglage est correcte et conforme au TABLEAU C de la page précédente. Si nécessaire, ajuster le régulateur de pression à l'arrière de la cuisinière, en aval du robinet d'arrêt, pour donner le réglage requis.

**Réglages des brûleurs :**

**Brûleur de grill/plaque de cuisson pleine**

Vérifier que le volet d'aération est réglé de façon à assurer l'ouverture requise dans le Tableau E de la page précédente. Ajuster si nécessaire.

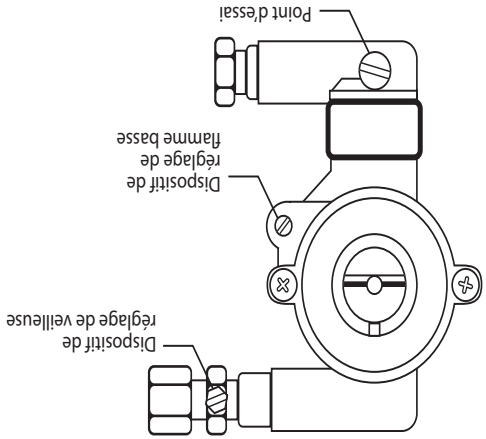


**Réglage minimum de flamme de plaque de cuisson**

1. Régler le robinet de gaz à la position basse.

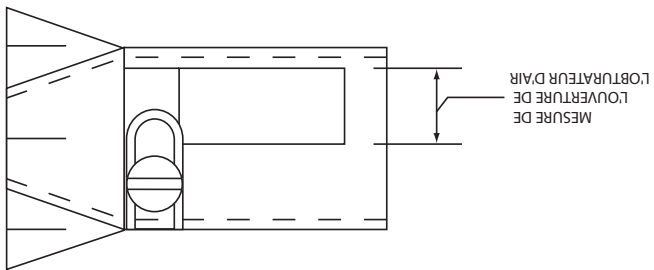
2. Brancher un manomètre en U au mamelon d'essai situé en aval du robinet de gaz.

3. Avec un tournevis plat, tourner la vis de réglage sur le corps de robinet dans le sens des aiguilles d'une montre pour réduire la pression ou dans le sens contraire pour l'augmenter. Régler la pression conformément au Tableau D.



**Brûleur de four**

1. Vérifier que le volet d'aération est réglé de façon à assurer l'ouverture requise dans le Tableau E. Ajuster si nécessaire.



Une fois tous les réglages effectués, retirer le manomètre en U, remettre en place la vis de point d'essai de pression et le panneau avant.

Donner à l'utilisateur ou à l'acheteur toutes les instructions pour une utilisation efficace et sécuritaire de l'appareil.

Indiquer à l'utilisateur l'emplacement du robinet d'isolement du gaz à utiliser en cas d'urgence. Laisser à l'utilisateur ou à l'acheteur le présent manuel d'instruction d'installation et d'entretien par l'utilisateur.



**INSTALLATION suite****TABLE A. Débit de gaz (total)**

GAZ NATUREL (pi <sup>3</sup> /h)	113
GAZ PROPANE (pi <sup>3</sup> /h)	42

**TABLE B. Débit calorifique par brûleur**

BRÛLEUR	GAZ NATUREL		GAZ PROPANE	
	KW	BTU/HR	KW	BTU/HR
GRIL	7.32	25,000	7.32	25,000
PLAQUE DE CUISSON	7.32	25,000	7.32	25,000
FOUR	11.14	38,000	8.79	30,000

**TABLE C. Pression du collecteur / Taille d'injecteur**

BRÛLEUR	GAZ NATUREL		GAZ PROPANE	
	Pression du collecteur	Taille d'injecteur	Pression du collecteur	Taille d'injecteur
GRIL	11.2	4.5	2.4	10
	11.2	4.5	2.45	10
PLAQUE DE CUISSON	11.2	4.5	2.5	10
	11.2	4.5	2.5	10
FOUR	11.2	4.5	3.05	10
	11.2	4.5	3.05	10

NOTA : La pression doit être mesurée à l'emplacement du raccord d'essai de pression sur le collecteur principal située à l'avant-gauche de la cuisinière, là où est situé le robinet de la plaque de cuisson avec tous les brûleurs allumés.

**TABLE D. Pression de réglage pour la position « MIN » du robinet (section plaque de cuisson)**

GAZ NATUREL		GAZ PROPANE	
mbar	"W.C.	mbar	"W.C.
2.0	0.8	4.5	1.8

NOTE: Pression mesurée au raccord d'essai situé en aval de chaque robinet de gaz.

**TABLE E. Réglage du volet d'aération / Longueur de flamme de veilleuse**

BRÛLEUR	OUVERTURE DU VOLET D'AÉRATION		LONGUEUR DE FLAMME DE VEILLEUSE	
	mm	Ins.	mm	Ins.
FOUR	19	0.750	19	0.750
	41.3	1.625	41.3	1.625
GRIL	41.3	1.625	41.3	1.625
	41.3	1.625	41.3	1.625
PLAQUE DE CUISSON	41.3	1.625	41.3	1.625
	41.3	1.625	41.3	1.625

L'installation doit être conforme au National Fuel Gas Code ANSI Z223.1, ( la dernière édition), la norme NFPA No.54 (dernière édition) et National Electrical Code ANSI ?NFPA 70 (dernière édition) ou le code local pour assurer un fonctionnement sécuritaire et efficace.

Cet équipement doit être mis électriquement à la terre conformément aux codes locaux ou, en l'absence de codes locaux, conformément au National Electrical Code, ANSI/NFPA 70 ou au Code canadien de l'électricité, CSA C22.2, selon le cas.

Cet appareil et son robinet d'arrêt du gaz individuel doivent être débranchés du système d'alimentation en gaz lors de tout essai de pression de ce système à des pressions dépassant ½ lb/po2 (3,45 kPa) . Cet appareil doit être isolé du système d'alimentation en gaz en fermant son robinet d'arrêt individuel lors de tout essai de pression du système d'alimentation en gaz à des pressions d'essai supérieures ou égales à ½ lb/po2 (3,45 kPa).

Un dégagement suffisant doit être prévu pour l'entretien et l'utilisation.

**Dégagements**

Dégagement minimum d'installation par rapport aux murs combustibles adjacents et type de plancher ou base:

<b>MINIMUM DÉGAGEMENTS STW286A</b>	
<b>Emplacement</b>	<b>CLEARANCE</b>
Gauche Hand Côtés	7" (178mm)
Droite Hand Côtés	7" (178mm)
Arrière	6" (152mm)
<b>Type de plancher ou base</b>	
Combustible	

**Emplacement**

L'installation de la cuisinière sera faite sur un comptoir solide, lisse et de niveau, conçu pour résister au poids de l'appareil chargé au maximum. (Se reporter au Tableau A pour les spécifications de poids). Toutes les ouvertures dans le mur derrière ou à côté de l'appareil doivent être bouchées.

**Connexion du gaz:**

La connexion du tuyau de gaz s'effectue à l'arrière gauche de l'équipement. La taille de la tuyauterie qui alimente l'appareil ne doit pas être inférieure à celle du raccord d'entrée, qui est ISO 7/R ¾ po.. On recommande de placer un robinet d'isolement près de l'appareil pour assurer son extinction en cas d'urgence ou pour l'entretien courant. Une fois que la totalité de la tuyauterie a été installée, vous devez en vérifier l'intégrité et l'apparence à l'installation, the an emergency or routine servicing. After installation, the complete pipe work must be checked for soundness.

**Ventilation et alimentation en air**

L'endroit où l'appareil est installé doit être convenablement ventilé afin de permettre l'admission d'air pour la combustion, l'évacuation des produits de combustion, etc. Une bonne ventilation est absolument essentielle pour un rendement optimal. Une bonne ventilation est absolument essentielle pour un rendement optimal. La méthode idéale de ventilation de l'équipement à plaques ouvertes est une hotte correctement conçue, se prolongeant de six pouces (152 mm) de tous les côtés de l'appareil et située à six pieds six pouces (1981 mm) du sol.

**Appareils équipés de roulettes**

L'installation sera faite avec un raccord conforme à la norme Connectors for Movable Gas Appliances, ANSI Z21.69/CSA 6.16 Addenda Z21.69B-2006/CSA 6.16B-2006 (ou la dernière édition) et un raccord rapide conforme à la norme Standard for Quick Disconnects for Use with Gas Fuel, ANSI Z21.41/CSA 6.9 Addenda Z 21.41A-2005/CSA 6.16A-2005 (ou la dernière édition). Les roulettes avant de l'appareil sont dotées de freins qui limitent les déplacements de l'appareil sans que le connecteur ou le raccord rapide ou sa tuyauterie n'interviennent pour limiter les mouvements de l'appareil. Noter que le dispositif de fixation requis est fixé à une bride sur la friteuse (le point de fixation est situé sur la roulette arrière gauche de la friteuse) et, s'il est nécessaire de détacher le dispositif de fixation, ne pas oublier de le rattacher une fois la friteuse remise dans sa position d'origine.

## Plaque signalétique

Le débit calorifique de tous les brûleurs figure sur la plaque signalétique de chaque cuisinière, qui peut être placée derrière la plaque de bas de porte avant (sous la porte du four). Pour y accéder, retirer les deux (2) fixations maintenant le panneau fermé.

Pour que l'appareil fonctionne correctement, les informations relatives au gaz de la plaque signalétique de votre nouvel appareil doivent correspondre à votre alimentation en gaz.

Pour correspondre avec l'usine ou votre concessionnaire en équipement concernant des problèmes de service ou de pièces de rechange, bien faire référence à l'appareil avec le numéro de modèle correct, comprenant les lettres et chiffres du préfixe et du suffixe) et les numéros de série. La plaque signalétique fixée à l'appareil contient ces renseignements.

## Sécurité

Il est essentiel de suivre à la lettre les instructions contenues dans le présent livret pour un fonctionnement sûr et économique de cet équipement. Si l'on sait ou si l'on suppose que l'appareil présente un défaut, il ne doit pas être utilisé avant que le défaut ne soit rectifié par une personne compétente.

**NOTA relative aux panes de courant : En cas de panne de courant, on ne doit pas essayer de faire fonctionner le four. Le four fonctionne au gaz, mais a des fonctions, un moteur**

# INSTALLATION

## Informations générales

Avant le montage et le branchement, vérifier l'alimentation en gaz.

- Le type de gaz pour lequel l'appareil est équipé est estampillé sur la plaque signalétique située sur le panneau inférieur de porte. Brancher un appareil estampillé « NAT » au gaz naturel et un appareil estampillé « PRO » au gaz propane.
- Il s'agit d'une installation neuve, faire vérifier par le fournisseur de gaz le diamètre du compteur et des conduites afin de s'assurer que l'appareil reçoit une pression de gaz suffisante pour fonctionner correctement.
- Il s'agit d'un équipement supplémentaire ou de remplacement, demander au fournisseur de gaz de vérifier la pression afin de s'assurer que le compteur et les conduites existants alimenteront l'appareil sans chute de

et des interrupteurs de porte électriques.

## Utilisation du produit

Le dessus de la cuisinière est conçu pour la flexibilité et la préparation de nombreux types de produits différents.

La préparation de soupes, bouillons ou sauces se fait sur une plaque chauffante, où on obtient une cuisson lente et régulière. On peut plus efficacement chauffer de grandes quantités d'aliments que de petites quantités Les pots et les plats doivent être couverts si possible afin de réduire la consommation d'énergie

Les sauces très acides, comme la sauce tomate, devraient être cuites dans de l'acier inoxydable plutôt que dans de l'aluminium pour éviter toute réaction chimique. Les sauces de couleur claire peuvent être décolorées par l'aluminium, en particulier si on utilise une cuillère ou un fouet en métal. Les crustacés et coquillages marins peuvent piquer les pots en aluminium si on les utilise souvent à cet usage

pression supérieure à 0.15 kpa de colonne d'eau.

- Avant d'ouvrir le robinet principal de gaz, vérifier l'appareil pour s'assurer que toutes les commandes sont en position d'arrêt.

- Pour vérifier la pression du gaz, vérifier que tous les autres équipements branchés sur la même conduite de gaz sont allumés. Un régulateur de pression du gaz pré-régulé est fourni avec l'équipement pour restaurants GARLAND. Il peut être nécessaire de régler le régulateur pour qu'il limite la pression du gaz à celle indiquée sur la plaque signalétique.

- Au Canada, l'installation doit être conforme aux codes locaux ou, en l'absence de codes locaux, aux codes d'installation des appareils et de l'équipement fonctionnant au gaz CAN/CGA-B149.1 et CAN/CGA B149.2, (dernière édition et au Code canadien de l'électricité C22.1 (dernière édition).

Collecteur	Dimension d'entrée du gaz	Poids d'expédition	Dégagements		Dégagements		Dimensions intérieures du four			
			d'installation*	Arrière	Côtés	Déballé	En caisse	Profondeur	Largeur	Hauteur
		584lbs (265kg)	6"	7"	37-7/8"	43"	22"	26-1/4"	13-12"	(343mm)
			(152mm)	(178mm)	(648mm)	(1105mm)	(559mm)	(667mm)		

\* Dégagement par rapport aux matériaux combustibles

Charge électrique totale maximum	Pression de fonctionnement		Naturel		Total		Four		Gril		Plaque de cuisson	
	120V	230V	"WC mbar	"WC mbar	KW	BTU	KW	BTU	KW	BTU	KW	BTU
	4.5 Amps	2.3 Amps	25	10	11	4.5	33.11	11.14	38.000	14.65	50.000	7.32
												25.000

NOTA : Les réductions de dégagement d'installation ne sont applicables que lorsque les codes locaux les autorisent.

Les produits Garland/U.S. Range ne sont pas agréés ni autorisés pour une utilisation personnelle ou résidentielle, mais sont destinés à des applications commerciales seulement. Garland / U.S. Range n'offre pas de services de réparation, garantie, entretien ou soutien de n'importe quelle sorte pour des applications autres que commerciales.

Les équipements de cuisson commerciaux ont besoin d'un système de ventilation adéquat. Pour plus de renseignements, se reporter à la norme n° 96 de la National Fire Protection Association.

## INTRODUCTION

Votre nouveau matériel doit être installé et réglé par une personne qualifiée conformément à la législation en vigueur. Si vous n'installez pas les appareils comme il convient, vous êtes passible de poursuites judiciaires. Pour votre propre intérêt et pour des raisons de sécurité, il vous incombe de vous assurer de respecter la loi en vigueur. Votre concessionnaire Garland est tout à fait qualifié pour vous fournir ce service.

Cet appareil doit être nettoyé et entretenu régulièrement. On recommande de procéder à des inspections périodiques par votre concessionnaire ou une entreprise qualifiée de services pour vérifier les températures, régler les brûleurs et s'assurer que les pièces mobiles sont en état de fonctionnement. Dans la mesure du possible, évitez de surchauffer tout équipement au repos, parce que c'est la principale cause d'augmentation des coûts d'entretien.

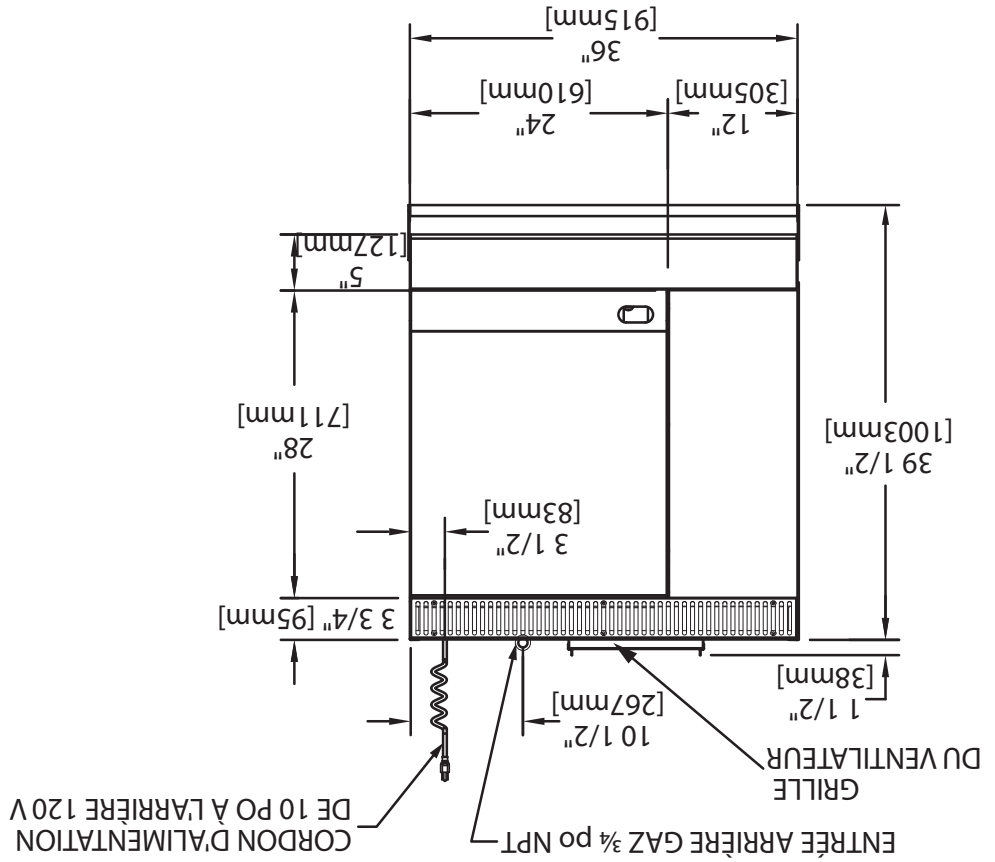
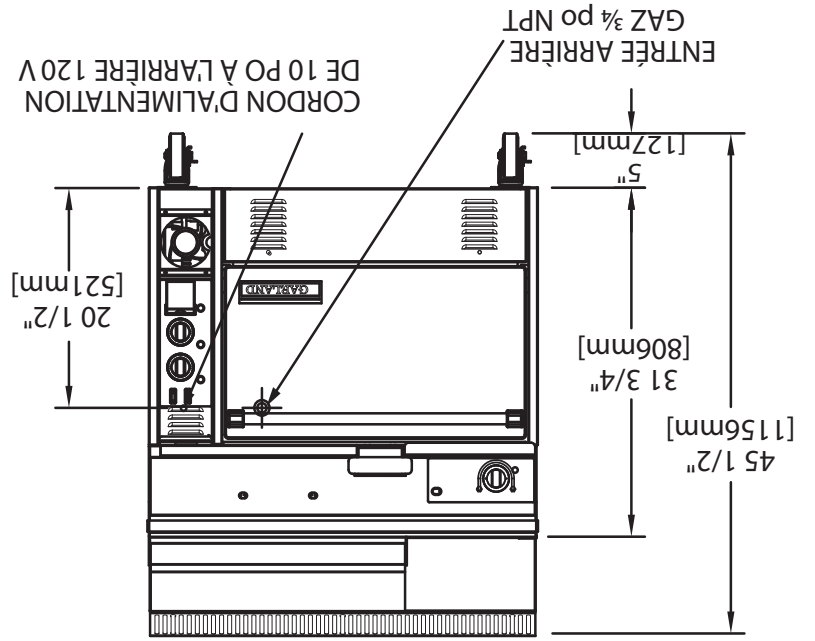
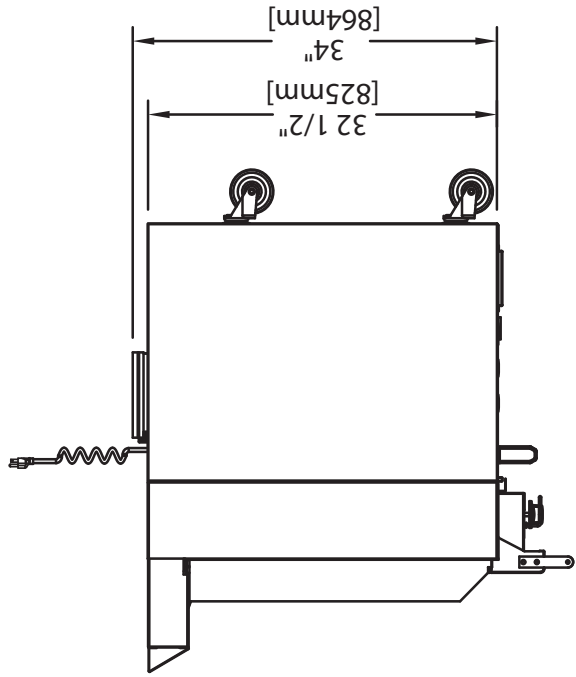
1. Assurez-vous que la caisse n'a subi aucun dommage pendant son transport. Retirez soigneusement l'unité de son carton ou sa caisse, et essayez de nouveau de déceler tout dommage éventuel. Vous devez signaler immédiatement au transporteur tout dommage occasionné à l'appareil.

## Déballage:

"Un entretien régulier assure un rendement maximal"

NOTA : Beaucoup de pièces de la cuisinière commerciale sont en acier brut. Les plaques de cuisson, grils, ressorts, crochets de porte, etc. peuvent réagir au contact de l'humidité en formant de la rouille. Cela est normal et n'est pas considéré comme un défaut. Nettoyer avec un tampon en acier inoxydable ou en fibre. Une légère couche d'huile de cuisson peut être appliquée.

2. Les fils de fer retenant les brûleurs et autres matériaux d'emballage doivent être retirés des appareils. Tout le matériel de protection couvrant les pièces en acier inoxydable doit également être retiré.
3. Tous les grils sont expédiés de l'usine avec des roulettes installées.
4. Le type de gaz et la pression d'alimentation pour lesquels l'équipement a été réglé en usine sont notés sur la plaque signalétique et sur l'emballage. Vous devez utiliser ce type de gaz.
5. Ne retirez pas de l'appareil les étiquettes, avertissements ou plaques signalétiques apposés de façon permanente, car cela peut annuler la garantie du fabricant.



# DIMENSIONS

2	<b>INFORMATION IMPORTANTES</b>	2	<b>INSTALLATION</b>	6	Informations générales	6	Plaque signalétique	6	Sécurité	6	Utilisation du produit	6	Dégagements	7	Emplacement	7	Appareils équipés de roulettes	7	Ventilation et alimentation en air	7	Connexion du gaz:	7	Mise en service:	9	Réglages des brûleurs:	9	Brûleur de grill/plaque de cuisson pleine	9	Réglage de flamme minimum de plaque de cuisson	9	Brûleur de four	9	<b>10</b>	<b>FONCTIONNEMENT</b>	10	Questions de sécurité	10	Commande d'utilisation	10	Grills	10	Préparation d'un grill neuf	10	Allumage du grill	10	Apprêtage du grill	11	Arrêt	11	Plaques de cuisson pleines (STW286A)	11	Allumage de la plaque de cuisson pleine	11	Four	11	Four à convection	11	Allumage du four	11	Arrêt	12	Suggestions d'utilisation	12	<b>12</b>	<b>MAINTENANCE ET NETTOYAGE</b>	12	Acier inoxydable	12	Acier inoxydable	12	Filtres d'évacuation	12	Surfaces émaillées/peintes	12	Grill	13	Instructions de nettoyage (après chaque utilisation)	13	Instructions de nettoyage	13
3	Grill - À faire et ne pas faire	3	Nettoyage des brûleurs	3	Grill / Plaque de cuisson pleine	3	Four à convection	3	Nettoyage du brûleur de veilleuse	3	Robinet de gaz	3	Étalonnage du thermostat	3	Four	3	Grill	3	Divers	3	<b>16</b>	<b>INSTRUCTIONS DE CONVERSION</b>	3	<b>17</b>	<b>RECHERCHE DES PANNES</b>	3	<b>18</b>	<b>REMPLACEMENT DES PIÈCES</b>	3	Robinets de gaz	3	Interrupteur de porte	3	Commutateurs à bascule du panneau de commande	3	Thermostat	3	Témoin de chauffage	3	Robinet de commande du gaz	3	Ventilateur de refroidissement avant	3	Moteur	3	Commande d'allumage	3	Interrupteur à rappel d'allumage de plaque de cuisson	3	Générateur d'étincelles de plaque de cuisson	3	<b>20</b>	<b>SCHEMAS DE CÂBLAGE</b>	3	Pour les modèles fabriqués jusqu'au 04 oct 2005, n° de série 0509100130513 et les modèles fabriqués depuis 24 mars 2009 S/N 0903100100823 M/D STW280A-0009 (module de commande d'allumage Robertshaw)	3	Pour les modèles fabriqués entre le 05 oct 2005, n° de série 0510100130790 et le 23 mars 2009 S/N 0903100100822 (avec module de commande Johnson)	3	Pour tous les modèles	3																				
3	(Pour une accumulation importante)	3	Grill - À faire et ne pas faire	3	Nettoyage des brûleurs	3	Grill / Plaque de cuisson pleine	3	Four à convection	3	Nettoyage du brûleur de veilleuse	3	Robinet de gaz	3	Étalonnage du thermostat	3	Four	3	Divers	3	<b>16</b>	<b>INSTRUCTIONS DE CONVERSION</b>	3	<b>17</b>	<b>RECHERCHE DES PANNES</b>	3	<b>18</b>	<b>REMPLACEMENT DES PIÈCES</b>	3	Robinets de gaz	3	Interrupteur de porte	3	Commutateurs à bascule du panneau de commande	3	Thermostat	3	Témoin de chauffage	3	Robinet de commande du gaz	3	Ventilateur de refroidissement avant	3	Moteur	3	Commande d'allumage	3	Interrupteur à rappel d'allumage de plaque de cuisson	3	Générateur d'étincelles de plaque de cuisson	3	<b>20</b>	<b>SCHEMAS DE CÂBLAGE</b>	3	Pour les modèles fabriqués jusqu'au 04 oct 2005, n° de série 0509100130513 et les modèles fabriqués depuis 24 mars 2009 S/N 0903100100823 M/D STW280A-0009 (module de commande d'allumage Robertshaw)	3	Pour les modèles fabriqués entre le 05 oct 2005, n° de série 0510100130790 et le 23 mars 2009 S/N 0903100100822 (avec module de commande Johnson)	3	Pour tous les modèles	3																				

**AVERTISSEMENT:**

Ce produit contient des produits chimiques reconnus par l'état de Californie comme causant le cancer et/ou des malformations congénitales ou d'autres problèmes de reproduction. L'installation et l'entretien de ce produit peut vous exposer aux poussières de laine de verre/fibres céramiques. L'inhalation de ces particules de laine de verre ou de fibres céramiques est reconnue par l'état de Californie comme causant le cancer. L'utilisation de ce produit peut vous exposer au monoxyde de carbone en cas de mauvais réglage. L'inhalation de monoxyde de carbone est reconnue par l'état de Californie comme pouvant causer des malformations congénitales ou d'autres problèmes reproductifs.

**Maintenir les abords de l'appareil dégagés et ne pas y stocker de produits combustibles.**





# INSTRUCTIONS D'INSTALLATION ET D'UTILISATION SCUISINIÈRE COMBINÉE STARFIRE CENTRÉ DE GARLAND® MODELE STW 286 A



**POUR VOTRE SÉCURITÉ:**  
NE PAS STOCKER NI UTILISER D'ESSENCE OU  
D'AUTRES VAPEURS OU LIQUIDES INFLAM-  
MABLES À PROXIMITÉ DE CET APPAREIL OU  
DE TOUT AUTRE APPAREIL.

**AVERTISSEMENT:**  
UNE INSTALLATION, DES RÉGLAGES, DES  
MODIFICATIONS, DES RÉPARATIONS OU UN  
ENTRETIEN MAL FAITS PEUVENT CAUSER  
DES DOMMAGES MATÉRIELS, DES BLES-  
SURES OU LA MORT. LIRE SOIGNEUSE-  
MENT LES INSTRUCTIONS D'INSTALLATION,  
D'UTILISATION ET D'ENTRETIEN  
AVANT D'INSTALLER OU DE RÉPARER  
L'ÉQUIPEMENT.



LIRE TOUTES LES SECTIONS DU PRÉSENT MANUEL ET LE  
CONSERVER POUR S'Y REPORTER ULTÉRIEUREMENT.  
CE PRODUIT A ÉTÉ HOMOLOGUÉ EN TANT  
QU'ÉQUIPEMENT PROFESSIONNEL DE CUISSON ET DOIT  
ÊTRE INSTALLÉ PAR DU PERSONNEL PROFESSIONNEL TEL  
QUE SPÉCIFIÉ.  
DANS L'ÉTAT DU MASSACHUSETTS, CE PRODUIT  
DOIT ÊTRE INSTALLÉ PAR UN PLOMBIER OU UN MON-  
TEUR D'INSTALLATION AU GAZ CERTIFIÉ. NOMBRE  
D'APPROBATION: G-1-07-05-28  
Pour votre sécurité:  
Placer dans un endroit bien en vue les instructions à  
suivre en cas d'odeur de gaz détectée par l'utilisateur.  
Cette information peut être obtenue auprès du fournis-  
seur de gaz local

L'attention des utilisateurs est attirée sur le fait que l'entretien et les réparations doivent être effectués par un agent d'entretien autorisé par Garland utilisant des pièces de rechange d'origine Garland. Garland n'aura aucune obligation en ce qui concerne n'importe quel produit mal installé, réglé, utilisé ou qui n'aurait pas été entrete nu conformément aux codes nationaux et locaux ou aux instructions fournies avec le produit ou n'importe quel produit dont le numéro de série aurait été mutilé, oblitéré ou supprimé ou qui aurait été modifié ou réparé avec des pièces non autorisées ou par des agents d'entretien non autorisés. Pour obtenir la liste des agents de service autorisés, consulter le site web de Garland à : <http://www.garland-group.com>. Les renseignements contenus dans le présent document (y compris la conception et les spécifications des pièces) peuvent être remplacés ou modifiés sans préavis.

GARLAND COMMERCIAL RANGES, LTD.  
1177 Kamato Road, Mississauga, Ontario L4W 1X4  
CANADA  
Phone: 905-624-0260  
Fax: 905-624-5669