

AVIC-N3

This product conforms to CEMA cord colors.
Le code de couleur des câbles utilisé pour ce produit est conforme à CEMA.

ABOUT YOUR NEW NAVIGATION SYSTEM AND THIS MANUAL

- The navigation features of this product (and rear view camera option if purchased) is intended solely as an aid to you in the operation of your vehicle. It is not a substitute for your attentiveness, judgment and care when driving.
- Never use this navigation system to route to hospitals, police stations, or similar facilities in an emergency, Please call 911.
- Do not operate this navigation system (or the rear view camera option if purchased) if doing so in any way will divert your attention from the safe operation of your vehicle. Traffic restrictions and advisories currently in force should always take precedence over guidance given by this product. Always obey current traffic restrictions, even if this product provides contrary advice.
- Certain government laws may restrict the placement and use of navigation systems in your vehicle. Please comply with all applicable laws and regulations in the installation and operation of your navigation system.
- This manual explains how to install this navigation system in your vehicle. Operation of this navigation system is explained in the separate Operation Manual or Hardware Manual for the navigation system.
- Do not install the display unit or Hide-away unit where it may (i) obstruct the driver's vision, (ii) impair the performance of any of the vehicle's operating systems of safety features, including airbags, hazard lamp buttons or (iii) impair the driver's ability to safely operate the vehicle. In some cases, it may not be possible to install this product because of the vehicle type or the shape of the vehicle interior.

IMPORTANT INFORMATION	1
ABOUT YOUR NEW NAVIGATION SYSTEM AND THIS MANUAL	1

IMPORTANT SAFEGUARDS	3
PLEASE READ ALL OF THESE INSTRUCTIONS REGARDING YOUR NAVIGATION SYSTEM AND RETAIN THEM FOR FUTURE REFERENCE	3

Connecting the System	4
● Before installing this product	
● To prevent damage	
● Parts supplied	
Connecting the system	7
Connecting the power cord (1)	9
Connecting the power cord (2)	11
When connecting to separately sold power amp	13
When connecting a Rear view camera	15
When connecting the external video component and the display	16
● When using a display connected to rear video output	

Installation	17
To guard against electromagnetic interference	18
Before installing	18
Installing the display unit and Hide-away unit	19
● Installation notes	
● Parts supplied	
● Installing the Hide-away unit	
● DIN Front/Rear-mount	
● DIN Front-mount	
● DIN Rear-mount	
● Fixing the front panel	
Installing the GPS antenna	26
● Installation notes	
● Parts supplied	
● When installing the antenna inside the vehi- cle (on the rear shelf)	
● When installing the antenna outside the vehi- cle (on the body)	

After Installing this Product	29
--	-----------

PLEASE READ ALL OF THESE INSTRUCTIONS REGARDING YOUR NAVIGATION SYSTEM AND RETAIN THEM FOR FUTURE REFERENCE

1. Read this manual fully and carefully before installing your navigation system.
2. Keep this manual handy for future reference.
3. Pay close attention to all warnings in this manual and follow the instructions carefully.
4. This navigation system may in certain circumstances display erroneous information regarding the position of your vehicle, the distance of objects shown on the screen, and compass directions. In addition, the system has certain limitations, including the inability to identify one-way streets, temporary traffic restrictions and potentially unsafe driving areas. Please exercise your own judgment in the light of actual driving conditions.
5. As with any accessory in your vehicle's interior, the navigation system should not divert your attention from the safe operation of your vehicle. If you experience difficulty in operating the system or reading the display, please make adjustments while safely parked.
6. Please remember to wear your seat belt at all times while operating your vehicle. If you are ever in an accident, your injuries can be considerably more severe if your seat belt is not properly buckled.

WARNING

Do not attempt to install or service your navigation system by yourself. Installation or servicing of the navigation system by persons without training and experience in electronic equipment and automotive accessories may be dangerous and could expose you to the risk of electric shock or other hazards.

WARNING

- Pioneer does not recommend that you install your navigation system yourself. We recommend that only authorized Pioneer service personnel, who have special training and experience in mobile electronics, set up and install this product. **NEVER SERVICE THIS PRODUCT YOURSELF.** Installing or servicing this product and its connecting cables may expose you to the risk of electric shock or other hazards, and can cause damage to the navigation system that is not covered by warranty.

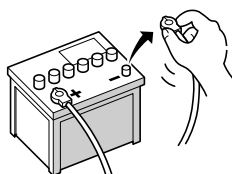
CAUTION

- If you decide to perform the installation yourself, and have special training and experience in the mobile electronics installations, please carefully follow all of the steps in the Installation Manual.
- Secure all wiring with cable clamps or electrical tape. Do not allow any bare wiring to remain exposed.
- Do not directly connect the yellow lead of this product to the vehicle battery. If the lead is directly connected to the battery, engine vibration may eventually cause the insulation to fail at the point where the wire passes from the passenger compartment into the engine compartment. If the yellow lead's insulation tears as a result of contact with metal parts, short-circuiting can occur, resulting in considerable danger.
- It is extremely dangerous to allow the GPS antenna cable or microphone cable to become wound around the steering column or shift lever. Be sure to install this product, its cables, and wiring away in such a way that they will not obstruct or hinder driving.
- Make sure that the cables and wires are routed and secured so they will not interfere with or become caught in any of the vehicle's moving parts, especially the steering wheel, shift lever, parking brake, sliding seat tracks, doors, or any of the vehicle's controls.
- Do not route wires where they will be exposed to high temperatures. If the insulation heats up, wires may become damaged, resulting in a short circuit or malfunction and permanent damage to the product.
- Do not cut the GPS antenna cable to shorten it or use an extension to make it longer. Altering the antenna cable could result in a short circuit or malfunction.
- Do not shorten any leads. If you do, the protection circuit (fuse holder, fuse resistor or filter, etc.) may fail to work properly.
- Never feed power to other electronic products by cutting the insulation of the power supply lead of the navigation system and tapping into the lead. The current capacity of the lead will be exceeded, causing overheating.
- The black lead is ground. Please ground this lead separately from the ground of high-current products such as power amps. Do not ground more than one product together with the ground from another product. For example, you must separately ground any amplifier unit away from the ground of the Hide-away unit. Connecting grounds together can cause a fire and/or damage the products if their grounds became detached.

Connecting the System

Before installing this product

- This product is for vehicles with a 12-volt battery and negative grounding. Check the battery voltage of your vehicle before installation.
- To avoid shorts in the electrical system, be sure to disconnect the (-) battery cable before beginning installation.



To prevent damage

- When disconnecting a connector, pull the connector itself. Do not pull the lead, as you may pull it out of the connector.
- This product cannot be installed in a vehicle that does not have an ACC (accessory) position on the ignition switch.



ACC position



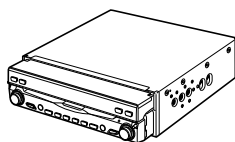
No ACC position

When the auto antenna function is used by connecting the blue lead to the vehicle with the auto antenna function, either turning off the ignition switch or detaching the front panel will retract the auto antenna of the vehicle.

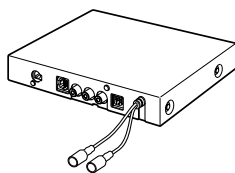
- To avoid short-circuiting, cover the disconnected lead with insulating tape. It is especially important to insulate all unused speaker leads, which if left uncovered may cause a short circuit.
- Attach the connectors of the same color to the corresponding colored port, i.e., blue connector to the blue port, black to black, etc.
- Refer to the owner's manual for details on connecting the power amp and other units, then make connections accordingly.
- When replacing the fuse, be sure to only use a fuse of the rating prescribed on the fuse holder.
- Since a unique BPTL circuit is employed, do not directly ground the \ominus side of the speaker lead or connect the \ominus sides of the speaker leads together. Be sure to connect the \ominus side of the speaker lead to the \ominus side of the speaker lead on the display unit.
- If the RCA pin jack on this product will not be used, do not remove the caps attached to the end of the connector.

- Never connect speakers with an output rating of less than 50 W channel or impedance outside of the 4 ohms to 8 ohms specifications to your navigation system. Connecting speakers with output and/or impedance values other than those noted here may result in the speakers catching fire, emitting smoke, or becoming damaged.
- When the ignition switch is turned on (ACC ON), a control signal is output through the blue/white lead. Connect to an external power amp's system remote control terminal (max. 300 mA 12 V DC). The control signal is output through the blue/white lead, even if the front panel is detached, or the audio source is switched off.
- When an external power amp is being used with this system, be sure not to connect the blue lead to the amp's power terminal. Likewise, do not connect the blue lead to the power terminal of the auto antenna. Such connection could cause excessive current drain and malfunction as well as damage to the auto antenna of the vehicle.

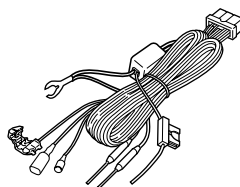
Parts supplied



Display unit



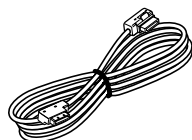
Hide-away unit



Power cord



Connector



30-pin cable



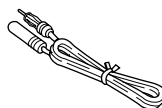
Extension lead
(for reverse signal)



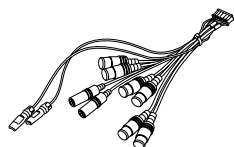
Extension lead
(for speed signal)



GPS antenna



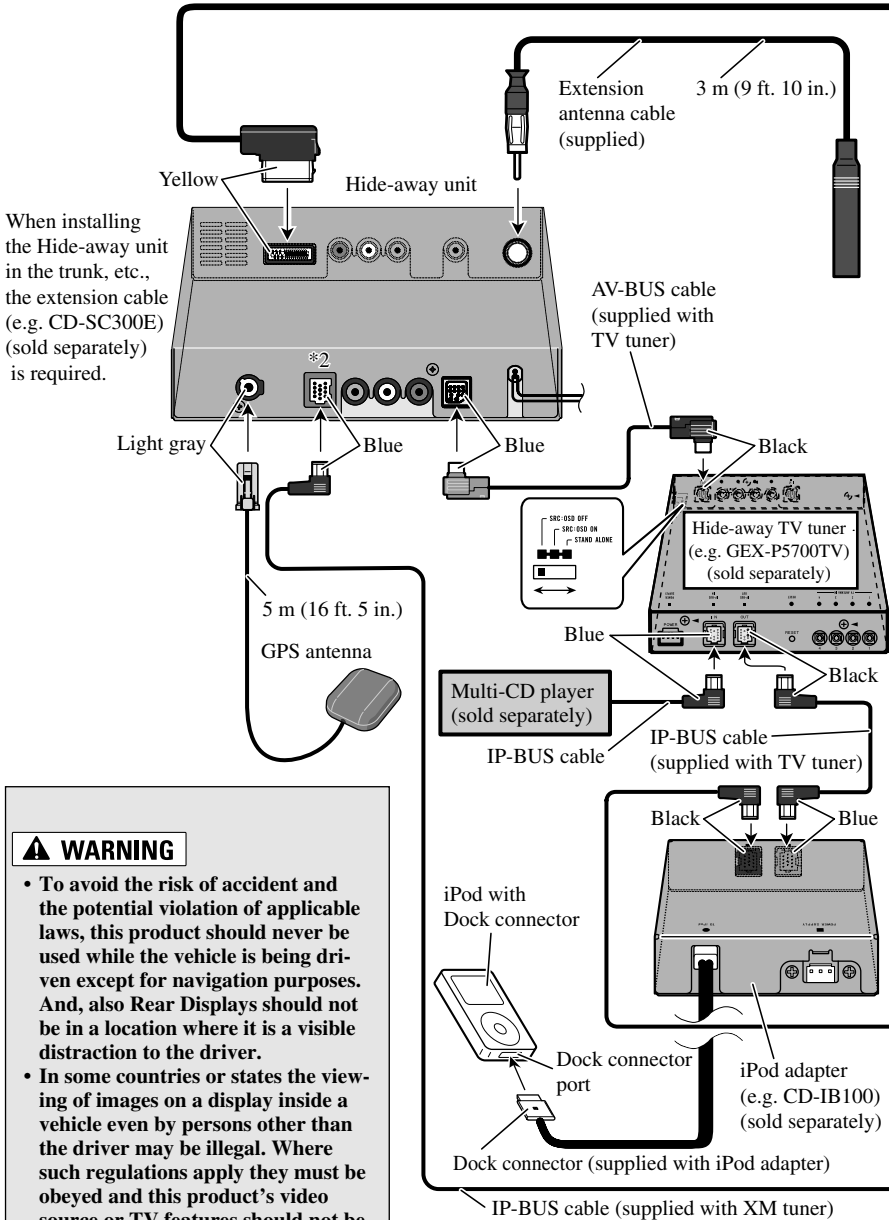
Extension antenna cable



System extension connector

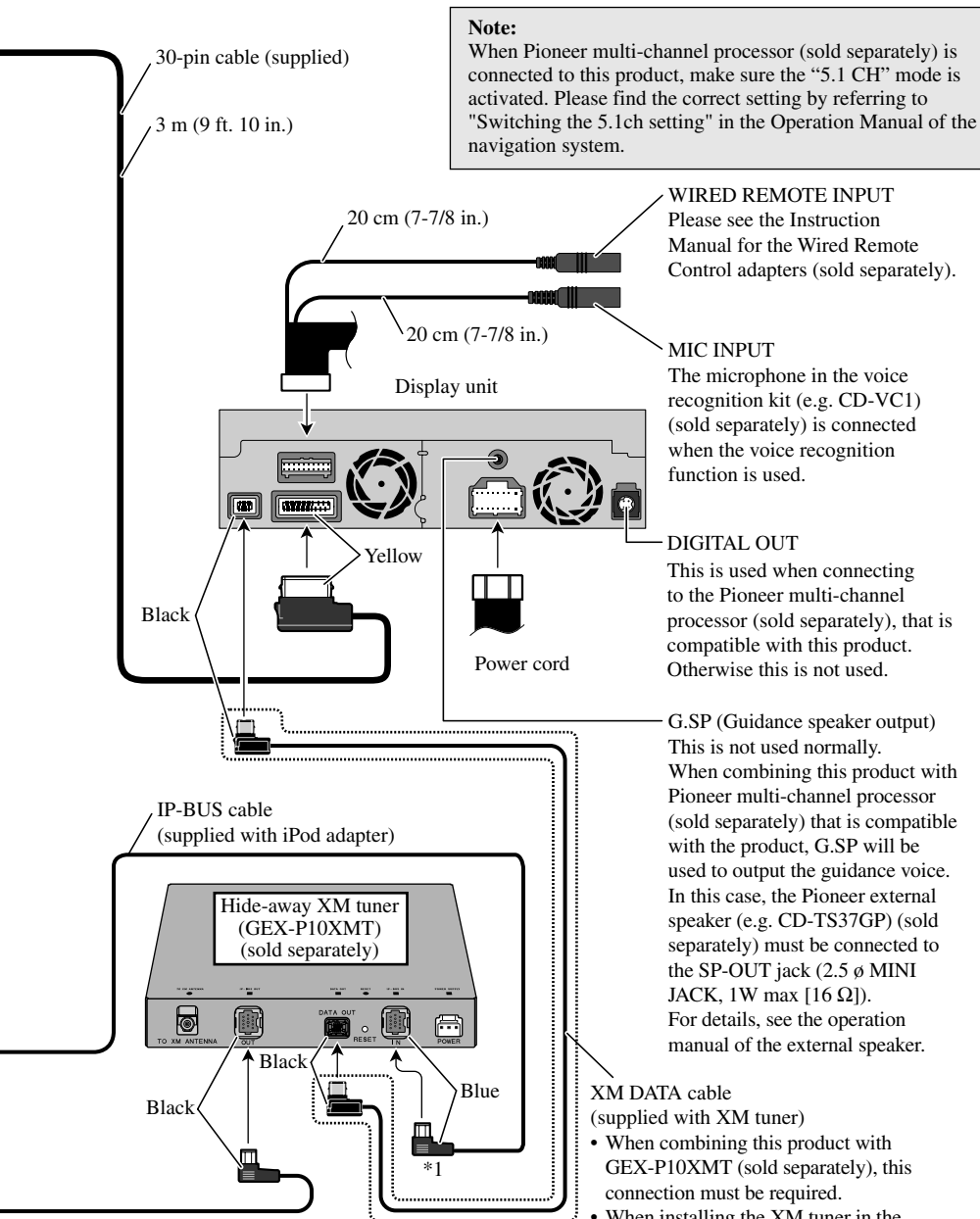
Connecting the System

Connecting the system



WARNING

- To avoid the risk of accident and the potential violation of applicable laws, this product should never be used while the vehicle is being driven except for navigation purposes. And, also Rear Displays should not be in a location where it is a visible distraction to the driver.
- In some countries or states the viewing of images on a display inside a vehicle even by persons other than the driver may be illegal. Where such regulations apply they must be obeyed and this product's video source or TV features should not be used.



Note:
When Pioneer multi-channel processor (sold separately) is connected to this product, make sure the "5.1 CH" mode is activated. Please find the correct setting by referring to "Switching the 5.1ch setting" in the Operation Manual of the navigation system.

WIRED REMOTE INPUT
Please see the Instruction Manual for the Wired Remote Control adapters (sold separately).

MIC INPUT
The microphone in the voice recognition kit (e.g. CD-VC1) (sold separately) is connected when the voice recognition function is used.

DIGITAL OUT
This is used when connecting to the Pioneer multi-channel processor (sold separately), that is compatible with this product. Otherwise this is not used.

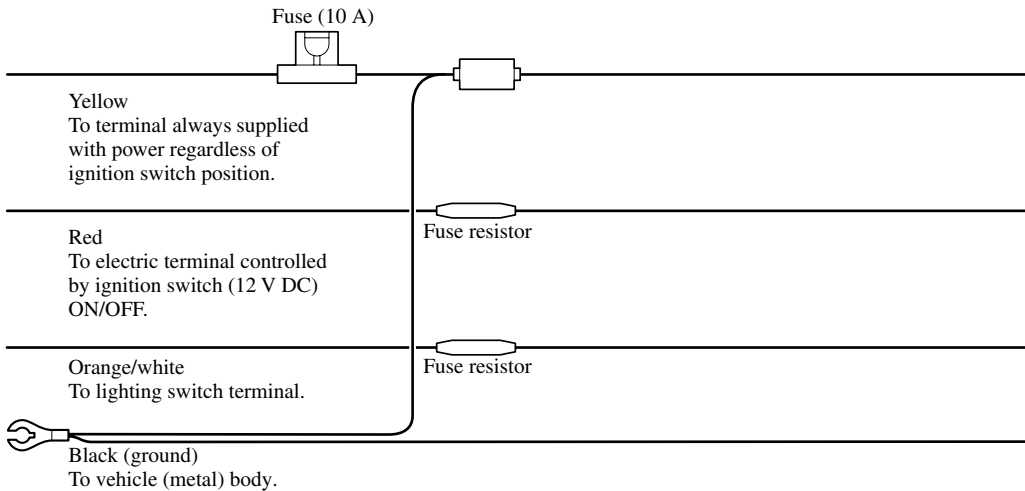
G.SP (Guidance speaker output)
This is not used normally. When combining this product with Pioneer multi-channel processor (sold separately) that is compatible with the product, G.SP will be used to output the guidance voice. In this case, the Pioneer external speaker (e.g. CD-TS37GP) (sold separately) must be connected to the SP-OUT jack (2.5 ϕ MINI JACK, 1W max [16 Ω]). For details, see the operation manual of the external speaker.

XM DATA cable (supplied with XM tuner)

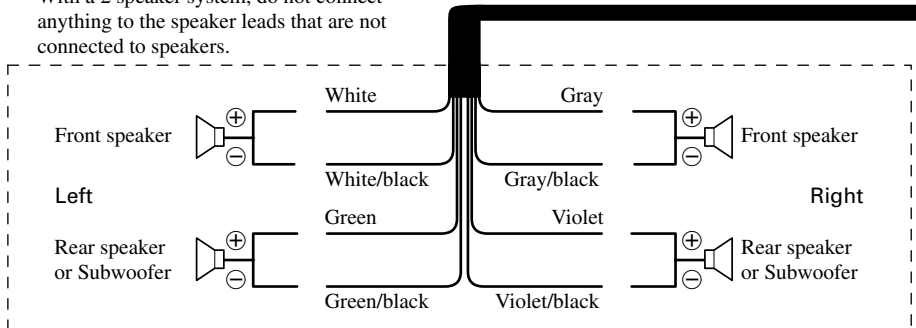
- When combining this product with GEX-P10XMT (sold separately), this connection must be required.
- When installing the XM tuner in the trunk, etc., the extension cable (e.g. CD-600DC) (sold separately) is required.

Note:
The XM tuner will not receive XM Radio service when you drive outside of the XM's coverage area. When the XM tuner is not used, connect the IP-BUS cable*1 directly to the navigation's Hide-away unit*2.

Connecting the power cord (1)



With a 2 speaker system, do not connect anything to the speaker leads that are not connected to speakers.



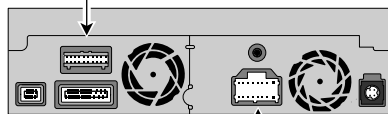
See Page 12.

GUIDE ON

SYSTEM REMOTE CONTROL

See Page 13.

Note:
Cords for this product and those for other products may be different colors even if they have the same function. When connecting this product to another product, refer to the supplied manuals of both products and connect cords that have the same function.



Display unit

Yellow/black
If you use equipment with a mute function (e.g. cellular telephones), connect that equipment to the Audio Mute lead. If not, keep the Audio Mute lead free of any connections.

Note:
Audio source will be set to mute or attenuate, while the voice guidance of the navigation will not be muted or attenuated. For details, see the Operation Manual.

Light green
See Page 11.

Note:
When the auto antenna function is used by connecting the blue lead to the vehicle with the auto antenna function, either turning off the ignition switch or detaching the front panel will retract the auto antenna of the vehicle.

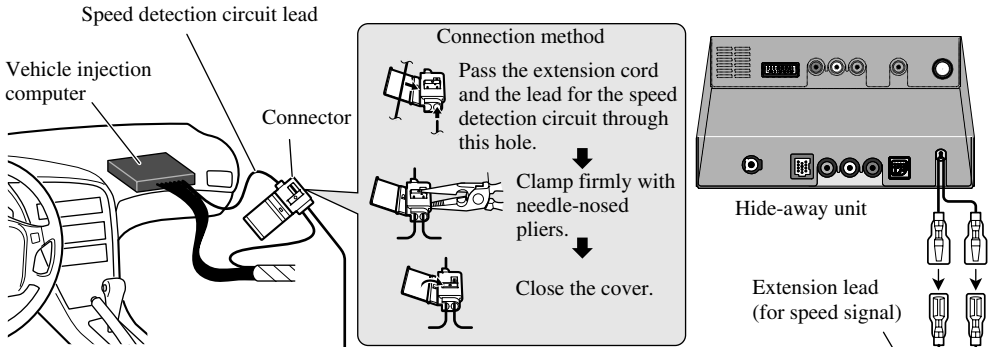


Blue
To Auto-antenna relay control terminal. If the vehicle has a glass antenna, connect to the antenna booster power supply terminal (max. 300 mA 12 V DC).

Note:
When a subwoofer is connected to this product instead of a rear speaker, change the rear output setting in the Initial Setting. (Refer to the Operation Manual.)
The subwoofer output of this product is monaural.

Connecting the System

Connecting the power cord (2)



Note: The position of the speed detection circuit depends on the vehicle model. For details, consult your authorized Pioneer dealer or an installation professional. If connection to the speed detection circuit is too difficult, connect the separately sold ND-PG1 speed pulse generator to the pink lead.

Note: The position of the parking brake switch depends on the vehicle model. For details, consult the vehicle owner's manual or dealer.

Pink (CAR SPEED SIGNAL INPUT)

The mobile navigation system is connected here to detect the distance the vehicle travels. Always connect the vehicle's speed detection circuit or the ND-PG1 speed pulse generator, sold separately. Failure to make this connection will increase errors in the location display.

⚠ WARNING

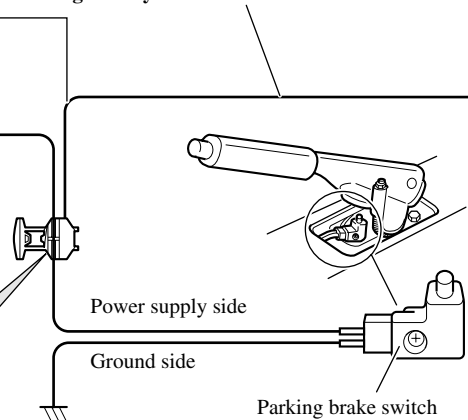
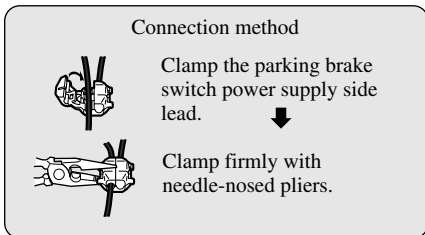
IMPROPER CONNECTION MAY RESULT IN SERIOUS DAMAGE OR INJURY INCLUDING ELECTRICAL SHOCK, AND INTERFERENCE WITH THE OPERATION OF THE VEHICLE'S ANTILOCK BRAKING SYSTEM, AUTOMATIC TRANSMISSION AND SPEEDOMETER INDICATION.

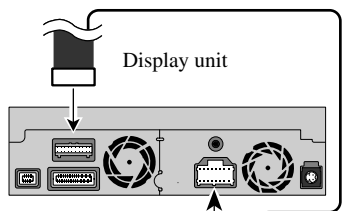
Light green

Used to detect the ON/OFF status of the parking brake. This lead must be connected to the power supply side of the parking brake switch. **If this connection is made incorrectly or omitted, certain functions of your navigation system will be unusable.**

⚠ WARNING

LIGHT GREEN LEAD AT POWER CONNECTOR IS DESIGNED TO DETECT PARKED STATUS AND MUST BE CONNECTED TO THE POWER SUPPLY SIDE OF THE PARKING BRAKE SWITCH. IMPROPER CONNECTION OR USE OF THIS LEAD MAY VIOLATE APPLICABLE LAW AND MAY RESULT IN SERIOUS INJURY OR DAMAGE.





Note:
Cords for this product and those for other products may be different colors even if they have the same function. When connecting this product to another product, refer to the supplied Installation manuals of both products and connect cords that have the same function.

Yellow/black (GUIDE ON)

When combining this navigation system with the other Pioneer audio unit for the vehicle, if the vehicle stereo has yellow/black leads, connect them to those leads. In this way, when the guidance audio is output and when you operate the system by voice, the vehicle stereo is automatically muted to reduce the vehicle stereo volume.

Power cord

Black, Orange/white, Red, Yellow

See Page 9.

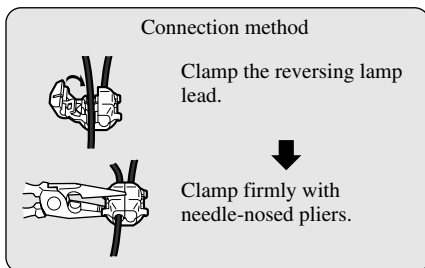
Violet/white (REVERSEGEAR SIGNAL INPUT)

This is connected so that the navigation system can detect whether the vehicle is moving forwards or backwards. Connect the violet/white lead to the lead whose voltage changes when the shift lever is put in reverse. Unless connected, the sensor may not detect your vehicle traveling forward/backward properly, and thus the position of your vehicle detected by the sensor may be misaligned from the actual position.

Note: When you use the ND-PG1 speed pulse generator (sold separately), please make sure to connect it.

When you use a rear view camera, please make sure to connect it. Otherwise you cannot switch to rear view camera picture.

See Page 15.

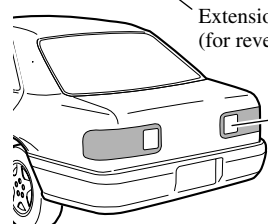


Reversing lamp lead

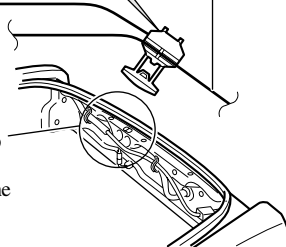
Fuse resistor

Extension lead (for reverse signal)

5 m (16 ft. 5 in.)



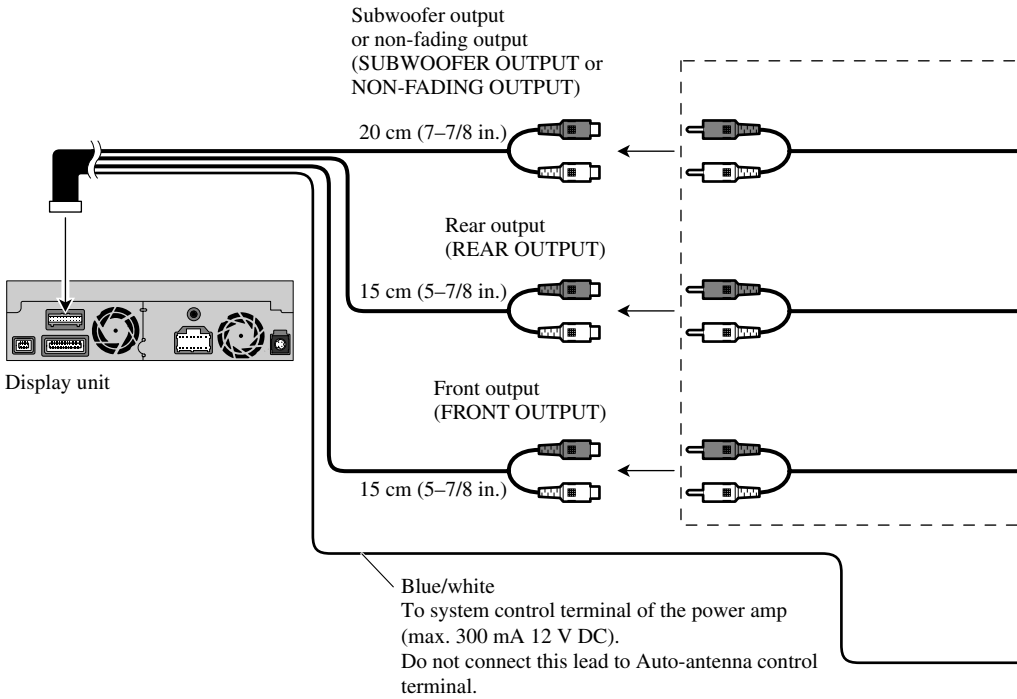
Check the position of your vehicle's reversing lamp (the one that lights up when the shift lever is in reverse [R]) and find the reversing lamp lead in the trunk.

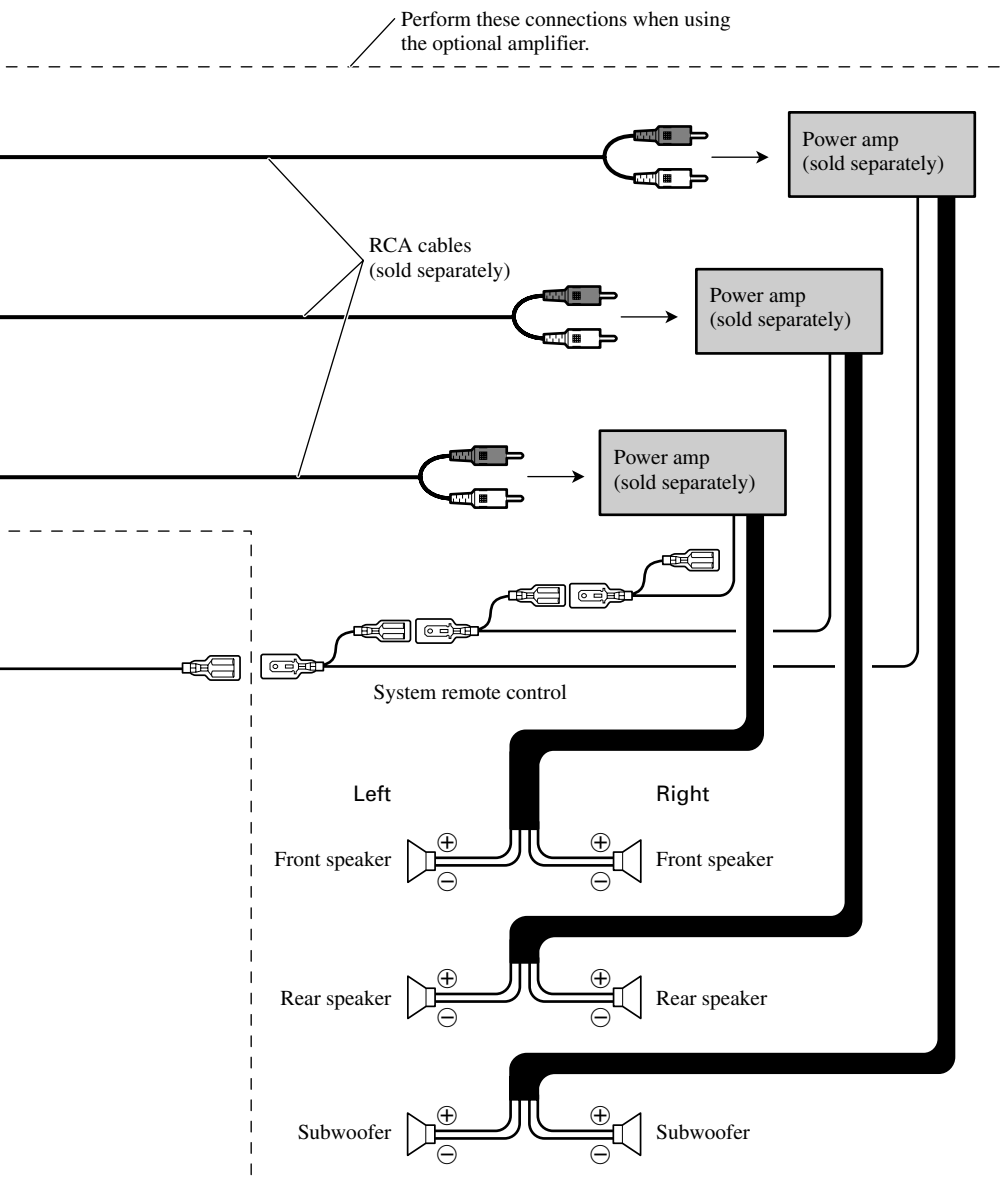


CAUTION

Be sure to use only the supplied extension lead. Use of another lead could cause fire, smoke and/or damage this product.

When connecting to separately sold power amp



**Note:**

You can change the RCA output of the subwoofer depending on your subwoofer system. (Refer to the Operation Manual.)

When connecting a Rear view camera

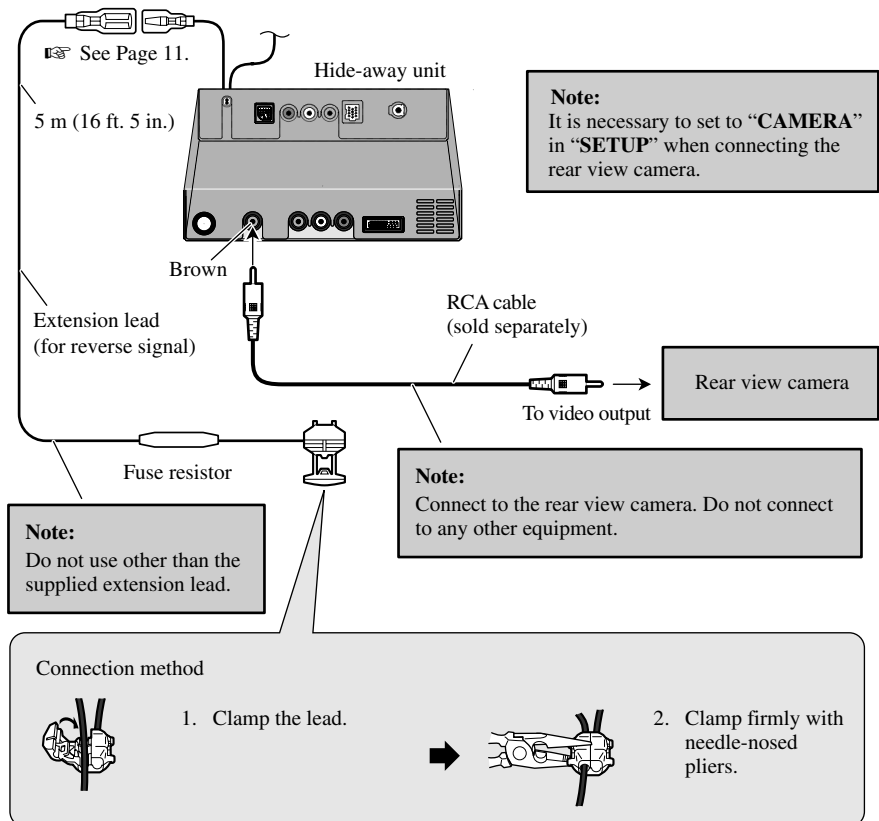
When using this product with a rear view camera, automatic switching to video from a rear view camera is possible when the gear shift is moved to **REVERSE (R)** position. Rear view mode also allows you to check what is behind you while driving.

⚠ WARNING

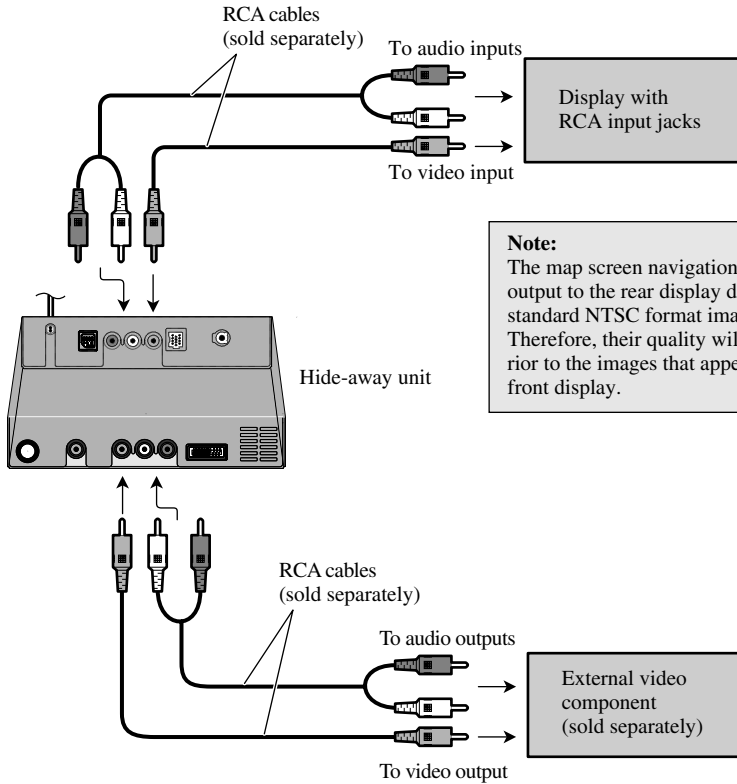
USE INPUT ONLY FOR REVERSE OR MIRROR IMAGE REAR VIEW CAMERA. OTHER USE MAY RESULT IN INJURY OR DAMAGE.

⚠ CAUTION

- The screen image may appear reversed.
- The rear view camera function is to use this product as an aid to keep an eye on trailers, or backing into a tight parking spot. Do not use this function for entertainment purposes.
- The object in rear view may appear closer or more distant than in reality.
- Please note that the edges of the rear view camera images may differ slightly according to whether full screen images are displayed when backing, and whether the images are used for checking the rear when the vehicle is moving forward.



When connecting the external video component and the display



- It is necessary to set to “AV INPUT” or “REAR DISP” in “SET UP” when connecting the external video component.

When using a display connected to rear video output

This product’s rear video output is for connection of a display to enable passengers in the rear seats to watch the video source.

⚠ WARNING

- NEVER install the rear display in a location that enables the driver to watch the video source while Driving.
- NEVER connect rear audio output (REAR OUT) to separately sold power amp.

WARNING

- Pioneer does not recommend that you install or service your navigation system yourself. Installing or servicing the product may expose you to risk of electric shock or other hazards. Refer all installation and servicing of your navigation system to authorized Pioneer service personnel.

CAUTION

- Never install this product in places, or in a manner that where:
 - * It could injure the driver or passengers if the vehicle stops suddenly.
 - * It may interfere with the driver's operation of the vehicle, such as on the floor in front of the driver's seat, or close to the steering wheel or shift lever.
- Make sure there is nothing behind the dashboard or paneling when drilling holes in them. Be careful not to damage fuel lines, brake lines, electronic components, communication wires or power cables.
- When using screws, do not allow them to come into contact with any electrical lead. Vibration may damage wires or insulation, leading to a short circuit or other damage to the vehicle.
- To ensure proper installation, use the supplied parts in the manner specified. If any parts other than the supplied ones are used, they may damage internal parts of this product or they may work loose and the product may become detached.
- It is extremely dangerous to allow the GPS antenna lead or microphone lead to become wound around the steering column or shift lever. Be sure to install this product in such a way that it will not obstruct driving.
- Make sure that leads cannot get caught in a door or the sliding mechanism of a seat, resulting in a short circuit.
- Please confirm the proper function of your vehicle's other equipment following installation of the navigation system.
- Certain government laws may prohibit or restrict the placement and use of this system in your vehicle. Please comply with all applicable laws and regulations regarding the use, installation and operation of your navigation system.
- Do not install the display unit or Hide-away unit where it may (i) obstruct the driver's vision, (ii) impair the performance of any of the vehicle's operating systems or safety features, including airbags, hazard lamp buttons or (iii) impair the driver's ability to safely operate the vehicle.

- **Install the display unit between the driver's seat and front passenger seat so that it will not be hit by the driver or passenger if the vehicle stops quickly.**
- **Never install the display unit in front of or next to the place in the dash, door, or pillar from which one of your vehicle's airbags would deploy. Please refer to your vehicle's Owner's Manual for reference to the deployment area of the frontal airbags.**
- **Do not install the display unit and Hide-away unit in a place where it will impair the performance of any of the vehicle's operating systems, including airbags and headrests.**

To guard against electromagnetic interference

- In order to prevent interference, set the following items as far as possible from the display unit and Hide-away unit of this navigation system, other cables or leads:
 - TV antenna and antenna lead
 - FM, AM antenna and its lead
 - GPS antenna and its lead

In addition you should lay or route each antenna lead as far as possible from other antenna leads.

Do not bind them together, lay or route them together, or cross them.

Such electromagnetic noise will increase the potential for errors in the location display.

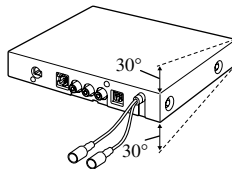
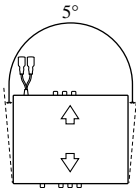
Before installing

- Consult with your nearest dealer if installation requires the drilling of holes or other modifications of the vehicle.
- Before making a final installation of this product, temporarily connect the wiring to confirm that the connections are correct and the system works properly.

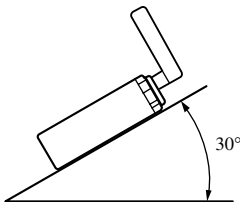
Installing the display unit and Hide-away unit

Installation notes

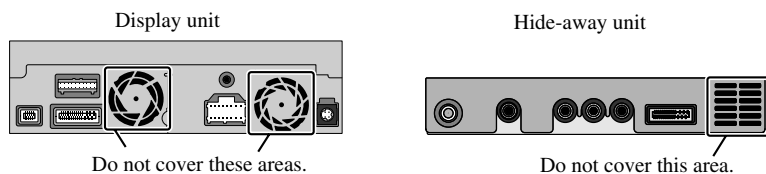
- Do not install the display unit or Hide-away unit in places where it may become subject to high temperatures or humidity, such as:
 - * Places close to a heater, vent or air conditioner.
 - * Places exposed to direct sunlight, such as on top of the dashboard or the rear shelf.
 - * Places that may be splashed by rain, for example close to the door.
- Install this product in an area strong enough to bear its weight. Choose positions where the display unit or Hide-away unit can be firmly installed, and install it securely. If the display unit or Hide-away unit are not securely installed, the current location of the vehicle cannot be displayed correctly.
- Do not install the Hide-away unit on the board covering the spare tire or other places which are subject to vibration.
- When the Hide-away unit is installed under a front seat, ensure that it does not obstruct the sliding action of the seat.
- When installing the Hide-away unit, choose a position that ensures there will be no contact with luggage. The impact of a heavy weight or sudden shock on the Hide-away unit will adversely affect the accurate display of the current location of the vehicle.
- Avoid installing the Hide-away unit in places where it will interfere with loading and unloading of the spare tire, jack, tools, etc.
- Check that a disc can be ejected with the display unit installed.
- Install the Hide-away unit horizontally on a surface within +30 degrees to -30 degrees tolerance (within five degrees to the left or right of your vehicle's direction of travel). Mis-installing the unit with the surface tilted more than these tolerances would increase the potential for errors in the location display, and might otherwise cause reduced display performance.



- If installation angle exceeds 30° from horizontal, the display unit might not give its optimum performance.

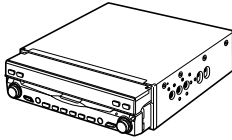


- The cords must not cover up the area shown in the figure below. This is necessary to allow the amplifiers and navigation mechanism to heat dissipate freely.

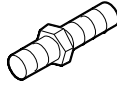


- The semiconductor laser will be damaged if it overheats, so don't install the product anywhere hot — for instance, near a heater outlet.
- When installing the Hide-away unit in the trunk, use the extension cable (e.g. CD-SC300E) (sold separately).
- Do not install the display unit in a position where the opening of the LCD panel is obstructed by any obstacles, such as the shift lever. This may cause interference with the shift lever, or a malfunction of the mechanism of the display unit.

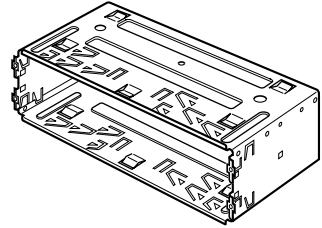
Parts supplied



Display unit



Screw



Holder



Side bracket
(2 pcs.)



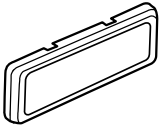
Rubber bushing



Binding screw
(5 × 6 mm)
(4 pcs.)



Flush surface screw
(5 × 6 mm)
(4 pcs.)



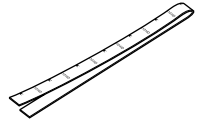
Frame



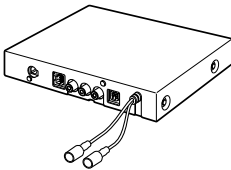
Screw
(4 × 3 mm)
(4 pcs.)



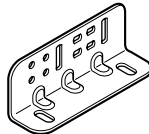
Fixing screw
(2 pcs.)



Conceal tape



Hide-away unit



Side bracket
(2 pcs.)



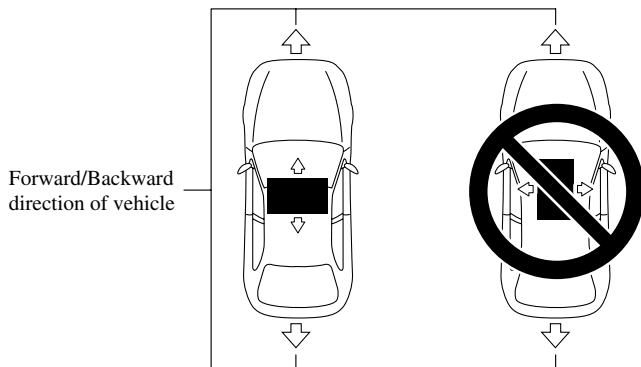
Washer faced screw
(4 × 8 mm)
(4 pcs.)



Self-tapping screw
(6 × 16 mm)
(4 pcs.)

⚠ CAUTION

- Install with the left and right sides of the Hide-away unit perpendicular or parallel to your vehicle's direction of travel. Do not install diagonally to your vehicle's direction of travel or the current location will be displayed incorrectly.



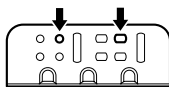
- Be sure to install the Hide-away unit on the floor with the silk printing side is facing up. The navigation system will operate properly only in this position.

Installing the Hide-away unit

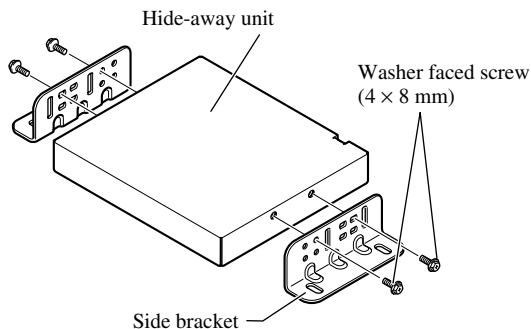
1. Attach the side brackets to the Hide-away unit.

When the Hide-away unit is installed on the floor or the installation board under the passenger seat, etc., the side brackets should be attached to the unit.

Use the following holes in the side brackets.

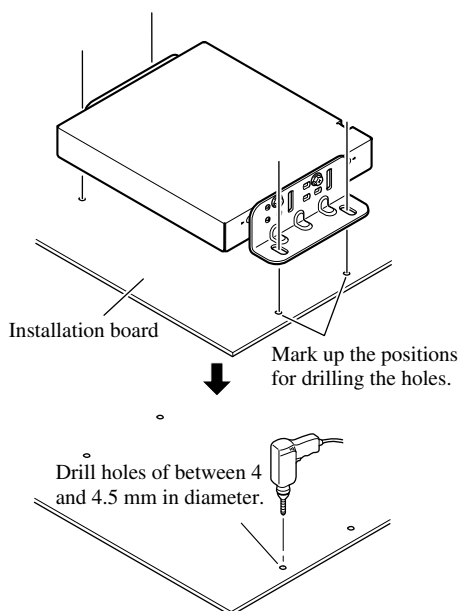


If the positions of the side plates are shifted in parallel you can also use other holes that match up with the holes in the Hide-away unit.



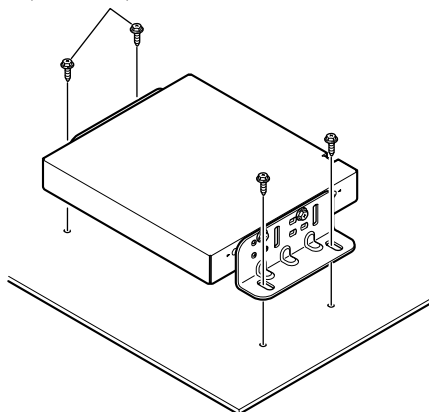
When the Hide-away unit is installed under the passenger seat, etc., use the installation board.

2. Decide on the installation position, and drill the holes.



3. Secure it firmly using the self-tapping screws.

Self-tapping screw
(6 × 16 mm)



DIN Front/Rear-mount

The display unit can be properly installed either from “Front” (conventional DIN Front-mount) or “Rear” (DIN Rear-mount installation, using threaded screw holes at the sides of the unit chassis). For details, refer to the following illustrated installation methods.

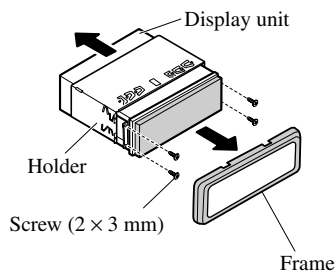
Before installing the display unit

- **Remove the frame and the holder.**

To remove the frame, extend top and bottom of the frame outwards in order to unlock it.

Loosen the screws (2×3 mm) to remove the holder. (When reattaching the frame, point the side with a groove downwards and attach it.)

- It becomes easy to remove the frame if the front panel is released.

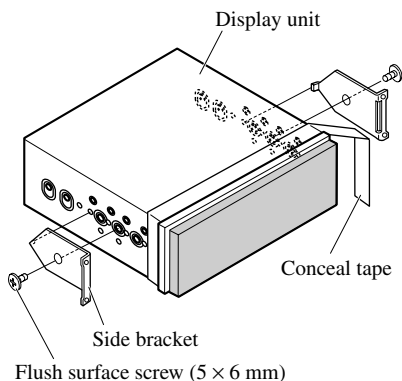


DIN Front-mount

Installation with the rubber bushing

1. **Decide the position of the side brackets.**

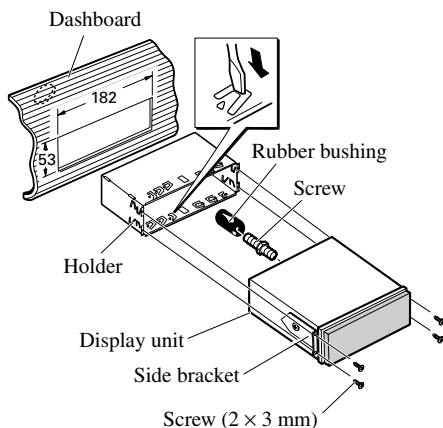
When installing in a shallow space, change the position of side brackets. In this case, stick conceal tape on parts that protrude from the dashboard.



2. **Install the display unit into the dashboard.**

After inserting the holder into the dashboard, select the appropriate tabs according to the thickness of the dashboard material and bend them.

(Install as firmly as possible using the top and bottom tabs. To secure, bend the tabs 90 degrees.)



- After installing the display unit into the dashboard, reattach the frame.
- If you prefer an off-set installation in which the front panel is pushed further back, when there is a space available at the back of the unit, use AD-GA10 (sold separately).

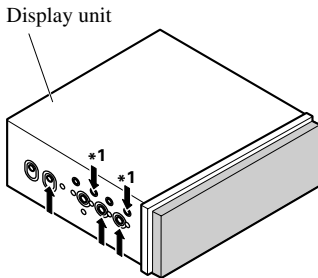
DIN Rear-mount

Installation using the screw holes on the side of the display unit

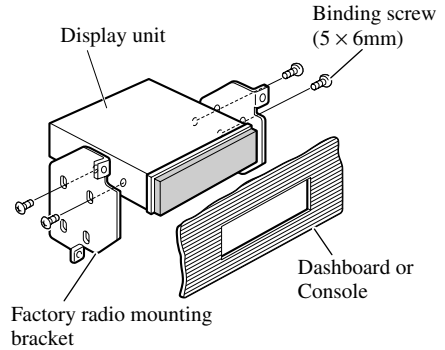
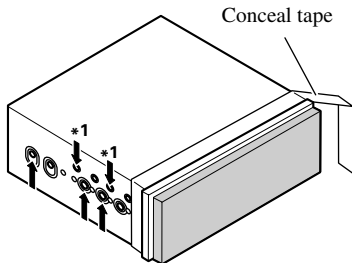
- **Fastening the display unit to the factory radio-mounting bracket.**

Select a position where the screw holes of the bracket and the screw holes of the display unit become aligned (are fitted), and tighten the screws at 2 places on each side. Use any of screws (4×3 mm), binding screws (5×6 mm) or flush surface screws (5×6 mm), depending on the shape of the screw holes in the bracket.

*1 Use screws (4×3 mm) only.



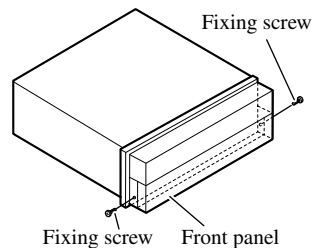
- When installing in a shallow space, use the following screw holes. In this case, stick conceal tape on parts that protrude from the dashboard.



Fixing the front panel

If you do not operate the removing and attaching the front panel function, use the supplied fixing screws to fix the front panel to the display unit.

- **Fix the front panel to the display unit using the fixing screws after removing the frame.**



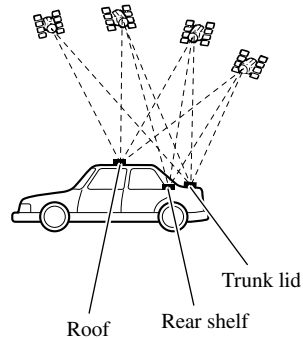
Installing the GPS antenna

⚠ CAUTION

- Do not cut the GPS antenna lead to shorten it or use an extension to make it longer. Altering the antenna cable could result in a short circuit or malfunction and permanent damage to the product.

Installation notes

- The antenna should be installed on a level surface where radio waves will be blocked as little as possible. Radio waves cannot be received by the antenna if reception from the satellite is blocked. Installation on the vehicle roof or trunk lid is recommended to optimise reception.



- When installing the GPS antenna inside the vehicle, be sure to use the metal sheet provided with your system. If this is not used, the reception sensitivity will be poor.
- Do not cut the accessory metal sheet. This would reduce the sensitivity of the GPS antenna.
- Take care not to pull the antenna lead when removing the GPS antenna. The magnet attached to the antenna is very powerful, and the lead may become detached.
- The GPS antenna is installed with a magnet. When installing the GPS antenna, be careful not to scratch the vehicle body.
- When installing the GPS antenna on the outside of the vehicle, always put it in the vehicle when going through an automatic vehicle wash. If it is left on the outside it may be knocked off and scratch the vehicle body.
- Do not paint the GPS antenna, as this may affect its performance.

Installation

Parts supplied



GPS antenna



Metal sheet



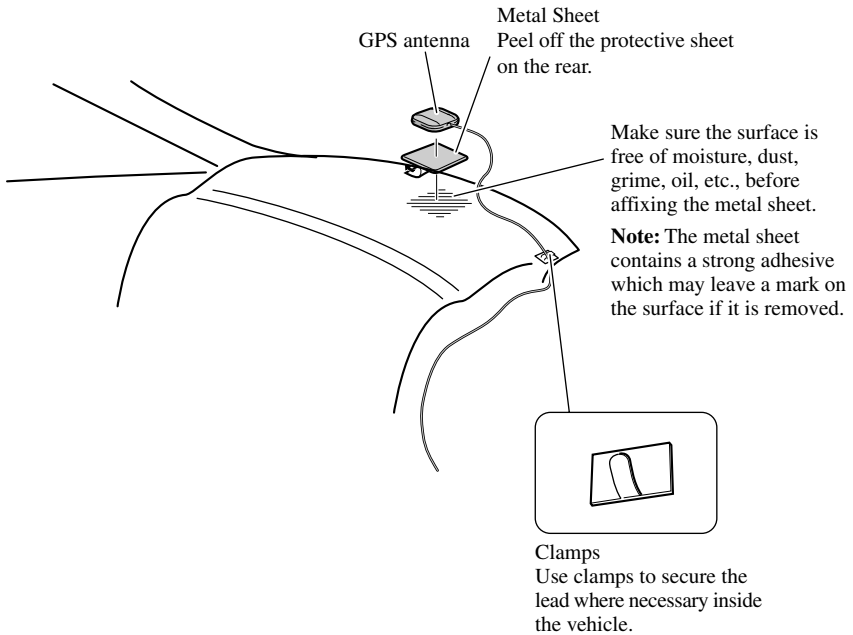
Clamp (5 pcs.)



Waterproof pad

When installing the antenna inside the vehicle (on the rear shelf)

Affix the metal sheet on as level a surface as possible where the GPS antenna faces the window. Place the GPS antenna on the metal sheet. (The GPS antenna is fastened with its magnet.)

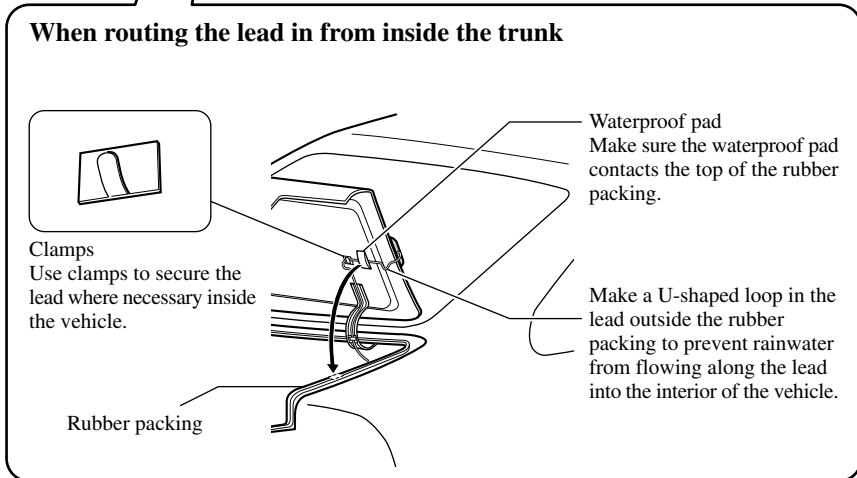
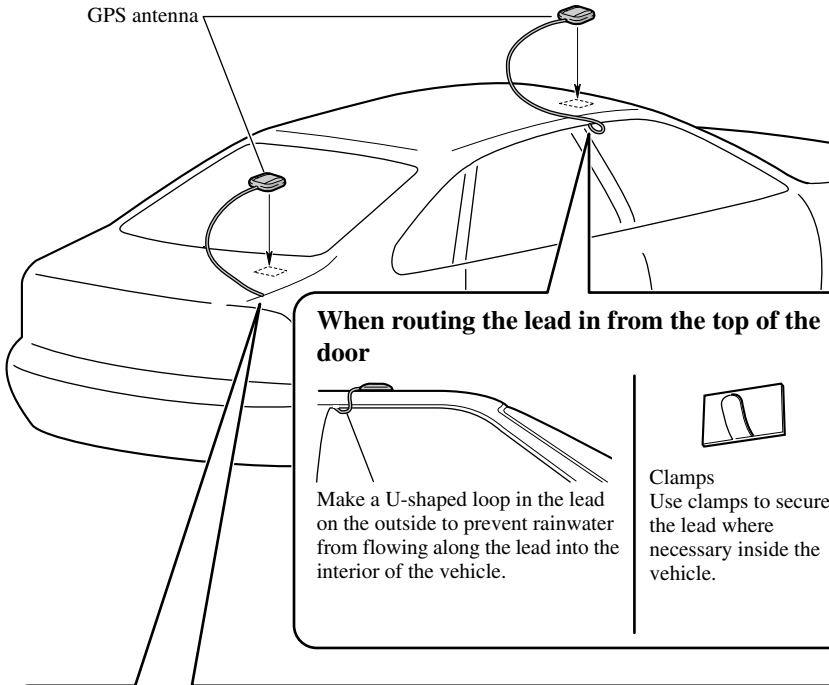


Note:

- When attaching the metal sheet, do not cut it into small pieces.
- Some models use window glass that does not allow signals from GPS satellites to pass through. On such models, install the GPS antenna on the outside of the vehicle.

When installing the antenna outside the vehicle (on the body)

Put the GPS antenna in a position as level as possible, such as on the roof or trunk lid. (The GPS antenna is fastened with a magnet.)



After Installing this Product

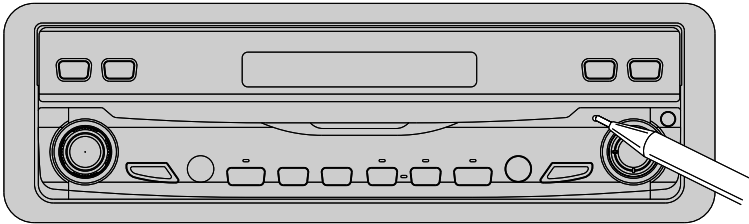
1. Reconnecting the battery.

First, double-check that all connections are correct and that this product is installed correctly. Reassemble all vehicle components that you previously removed. Then reconnect the negative (-) cable to the negative (-) terminal of the battery.

2. Start the engine.

3. Press the RESET button on the display unit.

Press the RESET button on the display unit using a pointed object such as the tip of a pen.



4. Enter the following settings:

1. Install the program in the navigation system.
2. Drive until the initialized sensors start operating normally.
3. Set the time and language.

Set the navigation system as explained in the Operation Manual or Hardware Manual.

Note:

If you reconnected the Hide-away unit, press the RESET button.

After installing this product, be sure to check at a safe place that the vehicle is performing normally.

A PROPOS DE VOTRE NOUVEAU SYSTEME DE NAVIGATION ET DE CE MANUEL

- La fonction de navigation de ce produit (et la caméra de rétrovisée en option le cas échéant) est uniquement destinée à vous assister lors de la conduite de votre véhicule. Elle n'autorise en aucun cas un relâchement de votre attention, de votre jugement et de votre vigilance pendant la conduite.
- N'utilisez jamais le présent système de navigation pour vous rendre à l'hôpital, stations de police, ou autres centres d'urgence analogues. Veuillez appeler le numéro 911.
- N'utilisez jamais le présent système de navigation (ou la caméra de rétrovisée en option le cas échéant) si le fait de l'utiliser risque de détourner votre attention d'une conduite en toute sécurité du véhicule. Les restrictions et les conseils en matière de trafic en vigueur doivent toujours avoir la priorité sur les indications de guidage données par ce produit. Veuillez toujours obéir au code de la route ou restrictions en matière de trafic, même si le présent produit fournit des informations contraires.
- Certaines lois gouvernementales restreignent l'emplacement et l'utilisation du système de navigation dans votre véhicule. Veuillez vous conformer à toutes les lois et réglementations en vigueur lors de l'installation et du fonctionnement de votre système de navigation.
- Ce manuel vous explique comment installer ce système de navigation dans votre véhicule. L'utilisation proprement dite du système de navigation est expliquée dans le manuel de fonctionnement ou manuel de matériel pour le système de navigation.
- N'installez pas l'unité d'affichage ou l'unité déportée à un endroit où elle risque (i) d'entraver la visibilité du conducteur, (ii) de réduire l'efficacité des systèmes de commande des fonctions de sécurité du véhicule, y compris les sacs gonflables, les boutons de commande des feux de détresse ou (iii) d'empêcher le conducteur de conduire en toute sécurité le véhicule. Dans certains cas, l'installation de ce produit s'avère impossible en raison du type de véhicule ou de la forme de l'habitacle du véhicule.

INFORMATION IMPORTANTE 1

A PROPOS DE VOTRE NOUVEAU SYSTEME DE NAVIGATION ET DE CE MANUEL	1
---	---

IMPORTANTES MESURES DE SECURITE 3

VEUILLEZ LIRE TOUTES LES EXPLICATIONS RELATIVES A VOTRE SYSTEME DE NAVIGATION ET LES CONSERVER POUR VOUS Y REFERER EVENTUELLEMENT PAR LA SUITE	3
--	---

Branchement du système 4

● Avant de raccorder ce produit	
● Pour éviter des dégâts	
● Pièces fournies	
Branchement du système	7
Branchement du cordon d'alimentation (1)	9
Branchement du cordon d'alimentation (2) ..	11
Pour relier ce produit à un amplificateur de puissance vendu séparément	13
Pour relier ce produit avec une caméra de rétrovissée	15
Pour relier l'appareil vidéo externe et l'affichage	16
● Pour utiliser un écran branché à la sortie vidéo arrière	

Installation 17

Pour protéger le système de navigation contre les parasites électromagnétiques	18
Avant de procéder à l'installation	18
Installation de l'unité d'affichage et de l'unité déportée	19
● Remarques sur l'installation	
● Pièces fournies	
● Installation de l'unité déportée	
● Montage DIN avant/arrière	
● Montage DIN avant	
● Montage DIN arrière	
● Fixation du panneau avant	
Installation de l'antenne GPS	26
● Remarques sur l'installation	
● Pièces fournies	
● Installation de l'antenne dans le véhicule (sur la tablette arrière)	
● Installation de l'antenne à l'extérieur du véhicule (sur la carrosserie)	

Après installation de ce produit 29

VEUILLEZ LIRE TOUTES LES EXPLICATIONS RELATIVES A VOTRE SYSTEME DE NAVIGATION ET LES CONSERVER POUR VOUS Y REFERER EVENTUELLEMENT PAR LA SUITE

1. Lisez attentivement le contenu du présent manuel avant d'installer votre système de navigation.
2. Conservez ce manuel à portée de main pour vous y référer ultérieurement.
3. Tenez compte de tous les avertissements formulés dans ce manuel et respectez soigneusement les consignes.
4. Dans certaines circonstances, ce système de navigation peut afficher des informations erronées à propos de la position de votre véhicule, de la distance des objets affichés sur l'écran et des directions de la boussole. En outre, le système comporte certaines limitations, telles que l'incapacité de signaler les rues à sens unique, les restrictions temporaires à la circulation et les zones où la circulation peut devenir dangereuse. Veuillez faire appel à votre propre jugement en fonction de la situation réelle.
5. Comme tout autre accessoire de l'habitacle, le système de navigation ne doit pas détourner votre attention ni nuire à la sécurité de la conduite. Si vous éprouvez des difficultés à utiliser le système ou à lire l'écran, effectuez les réglages nécessaires après vous être garé dans un endroit sûr.
6. Veillez à toujours attacher votre ceinture de sécurité sur la route. En cas d'accident, le port de la ceinture peut réduire considérablement la gravité des blessures.

AVERTISSEMENT

N'essayez pas d'installer ou d'entretenir vous-même votre système de navigation. L'installation et l'entretien effectués par un personnel non formé et non compétent en équipements électroniques et accessoires pour automobiles peuvent être dangereux car il y a risque d'électrocution et d'autres accidents.

AVERTISSEMENT

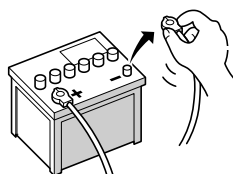
- Pioneer vous déconseille d'installer vous-même votre système de navigation. Nous vous recommandons de confier l'installation uniquement à un personnel de service Pioneer agréé, qui a été spécialement formé et est expérimenté en matière de systèmes électroniques mobiles, de montage et d'installation de ce produit. **NE TENTEZ JAMAIS D'EFFECTUER VOUS-MÊME UN ENTRETIEN OU UN DEPANNAGE DE CE PRODUIT.** L'installation ou l'entretien de ce produit et des câbles de raccordement vous expose à des décharges électriques ou autres dangers, et risque d'endommager le système de navigation sous garantie.

ATTENTION

- Si vous décidez d'effectuer vous-même l'installation, que vous avez suivi une formation spécifique et que vous possédez suffisamment d'expérience en matière d'installation de systèmes électroniques mobiles, veuillez lire attentivement l'intégralité des instructions du Manuel d'installation.
- Attachez tous les fils avec des colliers ou des serre-câbles. Ne laissez aucun fil à nu.
- Ne raccordez pas directement le fil jaune conducteur de ce produit à la batterie du véhicule. Si ce fil conducteur est directement raccordé à la batterie, les vibrations du moteur peuvent éventuellement provoquer un défaut d'isolation à l'endroit où les câbles passent de l'habitacle du véhicule au compartiment moteur. Si l'isolation du fil conducteur jaune se déchire sous l'effet du contact avec des pièces métalliques, il peut en résulter un court-circuit extrêmement dangereux.
- Une situation très dangereuse pourrait se présenter si le câble d'antenne GPS ou le fil du microphone devait s'enrouler autour de la colonne de direction ou du levier de vitesse. Veillez par conséquent à installer ce produit, ses câbles et les fils de telle sorte qu'ils n'empêchent pas ou ne nuisent pas à la conduite.
- Veillez à ce que les câbles et les fils soient acheminés et fixés de sorte qu'ils n'interfèrent pas avec les pièces en mouvement du véhicule, ou ne risquent pas d'être happés par de telles pièces, notamment le volant, le levier de vitesse, le levier de frein à main, les glissières de siège, les portes, ou tout autre élément de commande du véhicule.
- N'acheminez pas les fils là où ils risquent d'être exposés à des températures élevées. Si l'isolation s'échauffe, les fils risquent d'être endommagés, ce qui peut entraîner un court-circuit ou un dysfonctionnement, et endommager définitivement le produit.
- Ne coupez pas le câble de l'antenne GPS et n'utilisez pas un prolongateur pour l'allonger car une telle modification pourrait provoquer un court-circuit ou un dysfonctionnement.
- Ne raccourcissez aucun fil conducteur. Si vous procédez ainsi, le circuit de protection (porte-fusibles, résistances de fusible ou filtre, etc.) risque ne de pas fonctionner correctement.
- N'alimentez jamais d'autres appareils électroniques en coupant la gaine isolante du cordon d'alimentation du système de navigation et en y effectuant des raccords, car la capacité du cordon serait dépassée, ce qui provoquerait une surchauffe.
- Le fil conducteur noir est mis à la masse. Veuillez mettre à la masse ce fil conducteur séparément de la masse des produits haut courant tels que les amplificateurs de puissance. Ne reliez pas plus d'un produit à la masse d'un autre produit. Par exemple, vous devez relier à la masse chaque unité d'amplificateur séparément de la masse de l'unité déportée. Le fait de raccorder les masses ensemble risque de provoquer un incendie et/ou d'endommager les produits, si les fils de masse sont déconnectés.

Avant de raccorder ce produit

- Ce produit est destiné aux véhicules avec une batterie de 12 V, avec pôle négatif à la masse. Contrôlez la tension de la batterie de votre véhicule avant l'installation.
- Afin d'éviter tout risque de court-circuit, débranchez le câble de la borne négative (-) de la batterie avant de commencer la pose.

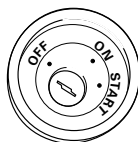


Pour éviter des dégâts

- Pour débrancher un connecteur, tirez sur le connecteur proprement dit et pas sur son fil, car il pourrait en être arraché.
- Ce produit ne peut pas être installé sur un véhicule ne possédant pas de position ACC (accessoire) sur le contacteur d'allumage.



Position ACC



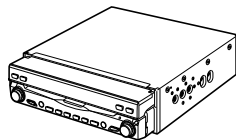
Pas de position ACC

• Si la fonction antenne motorisée est utilisée pour connecter le fil bleu au véhicule, l'antenne motorisée du véhicule se rétracte lorsque le contacteur d'allumage est coupé ou lorsque le panneau avant est détaché.

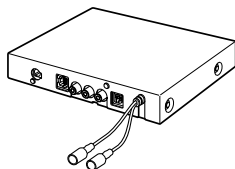
- Pour éviter les courts-circuits, recouvrez les fils déconnectés par du ruban isolant. Il est particulièrement important d'isoler tous les fils conducteurs de haut-parleur dénudés pour éviter tout risque de court-circuit.
- Raccordez les connecteurs de même couleur au port de couleur correspondant, c'est-à-dire le connecteur bleu au port bleu, le noir au noir, etc.
- Référez-vous au manuel d'utilisateur pour savoir comment raccorder l'amplificateur de puissance et d'autres unités, puis raccordez-les en conséquence.
- Lors du remplacement du fusible, veillez à utiliser seulement un fusible du calibre indiqué sur le porte-fusible.
- Etant donné qu'un circuit BPTL unique est utilisé, ne reliez pas directement l'extrémité du fil conducteur de haut-parleur ⊖ ou ne reliez pas les extrémités des fils conducteurs de haut-parleur ⊖ ensemble. Veillez à relier l'extrémité du fil conducteur de haut-parleur ⊖ resp. les extrémités des fils conducteurs de haut-parleur ⊖ à l'unité d'affichage.
- Si la prise d'entrée Cinch (RCA) n'est pas utilisée sur ce produit, ne retirez pas les capuchons fixés à l'extrémité du connecteur.

- Ne raccordez jamais les haut-parleurs à un canal d'une puissance de sortie inférieure à 50 W ou d'une impédance non comprise dans la plage de 4 à 8 ohms caractéristique de votre système de navigation. Si la puissance et/ou l'impédance des haut-parleurs branchés sont différentes de celles prescrites, les haut-parleurs peuvent s'enflammer, émettre de la fumée ou s'endommager.
- Lorsque le contacteur d'allumage est sur marche (ACC ON), un signal de commande est émis par le biais du fil bleu/blanc. Raccordez-le à une borne de commande à distance du système d'amplificateur de puissance externe (max. 300 mA 12 V CC). Le signal de commande est émis par le biais du fil bleu/blanc, même si le panneau avant est enlevé, ou la source audio est désactivée.
- Lorsqu'un amplificateur de puissance externe est utilisé avec ce système, assurez-vous que le fil bleu n'est pas branché à la borne d'alimentation de l'amplificateur. De même, ne branchez pas le fil bleu à la borne d'alimentation de l'antenne motorisée. Un tel branchement pourrait entraîner une évacuation excessive du courant et un dysfonctionnement tout comme un endommagement de l'antenne motorisée du véhicule.

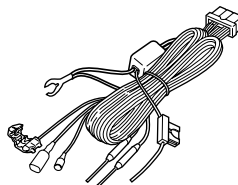
Pièces fournies



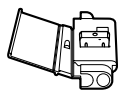
Unité d'affichage



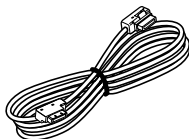
Unité déportée



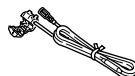
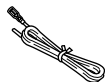
Cordon d'alimentation



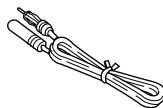
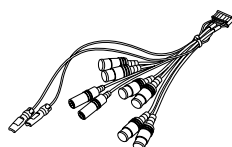
Connecteur



Câble 30 broches

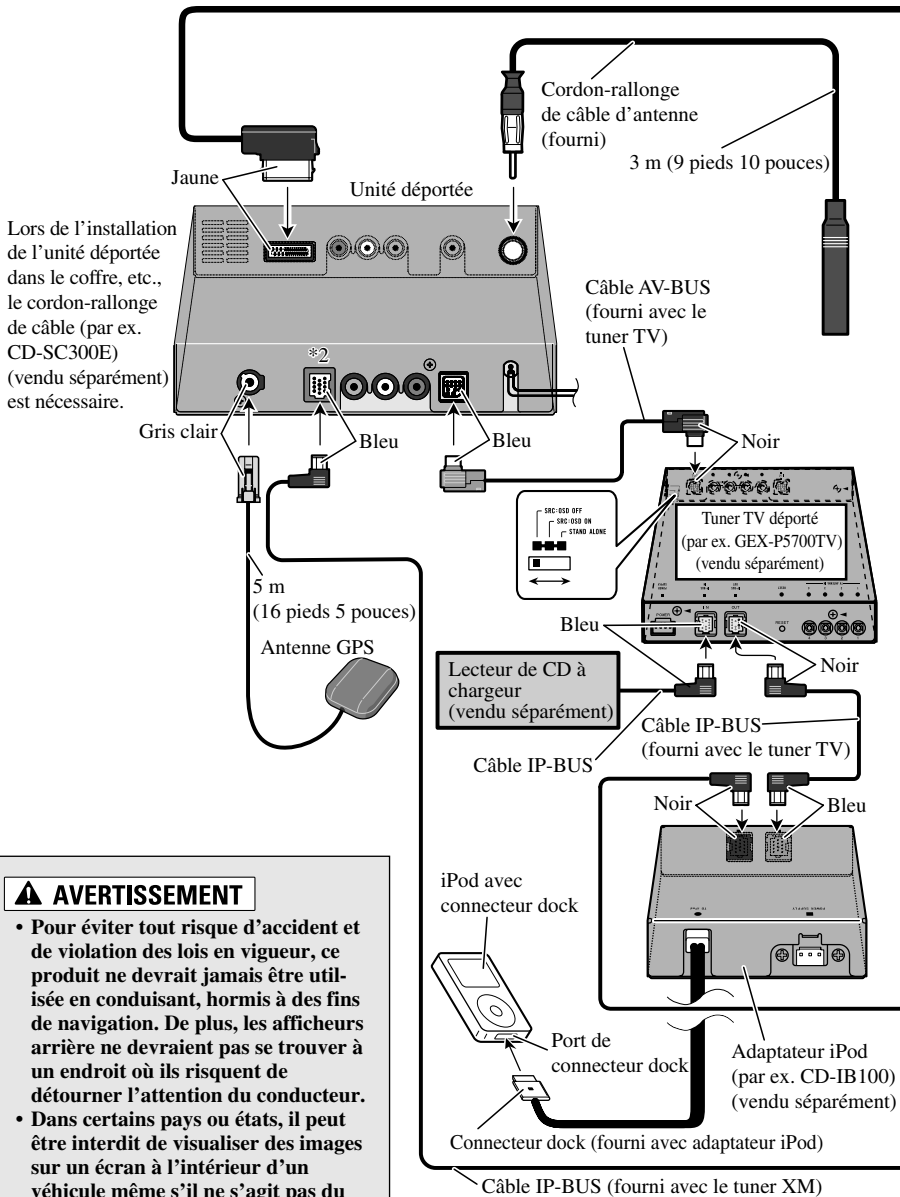
Cordon-rallonge
(pour signal de marche arrière)Cordon-rallonge
(pour signal de vitesse)

Antenne GPS

Cordon-rallonge de câble
d'antenne

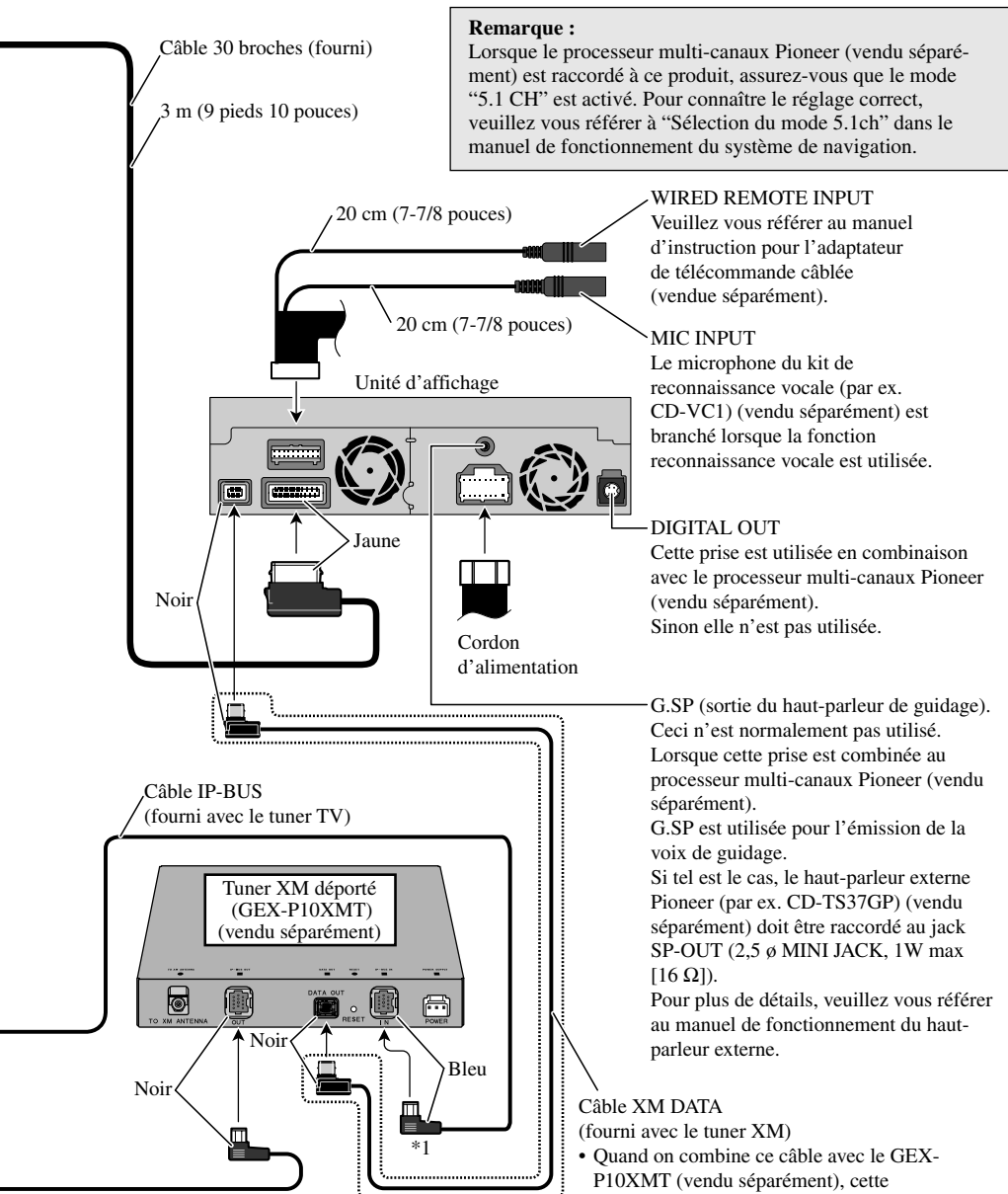
Connecteur de cordon-rallonge du système

Branchement du système



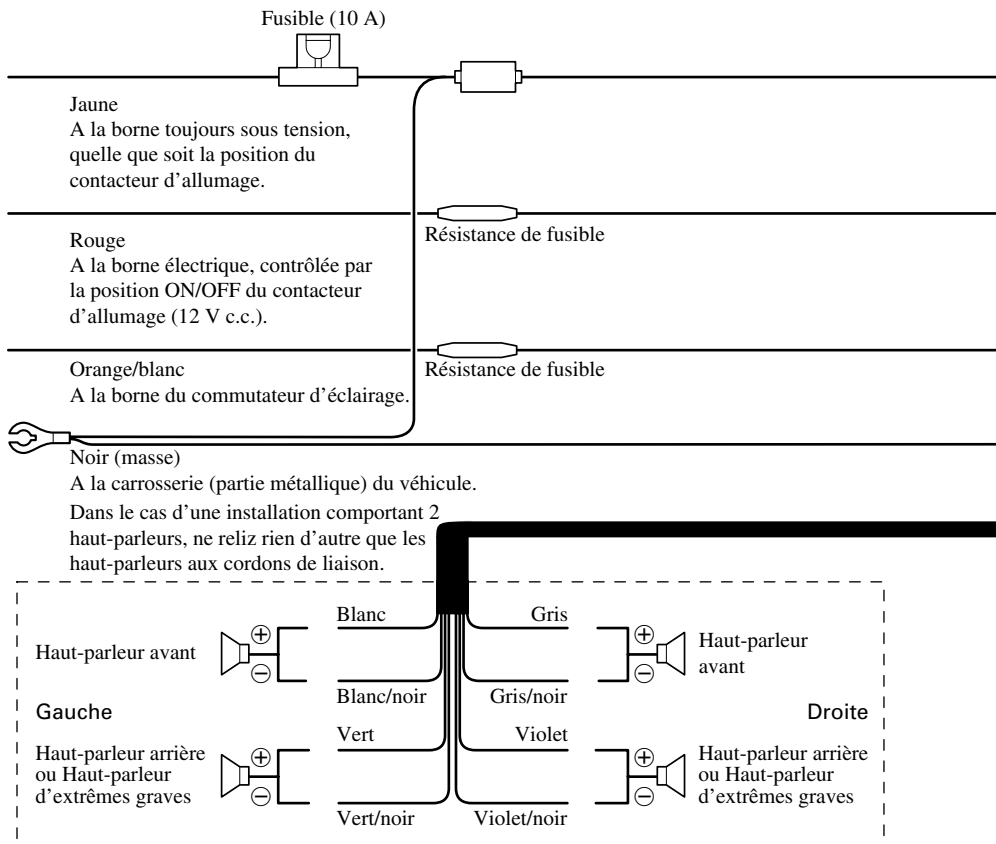
⚠ AVERTISSEMENT

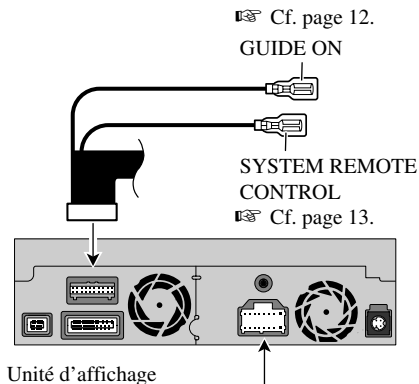
- Pour éviter tout risque d'accident et de violation des lois en vigueur, ce produit ne devrait jamais être utilisée en conduisant, hormis à des fins de navigation. De plus, les afficheurs arrière ne devraient pas se trouver à un endroit où ils risquent de détourner l'attention du conducteur.
- Dans certains pays ou états, il peut être interdit de visualiser des images sur un écran à l'intérieur d'un véhicule même s'il ne s'agit pas du conducteur. Si de telles réglementations s'appliquent, vous devez vous y conformer et la sortie vidéo arrière de ce produit ne doit pas être utilisée.



Remarque :
Le tuner XM ne recevra pas les émissions de radio XM quand on se déplace à l'extérieur de la zone de couverture XM. Quand le tuner XM n'est pas utilisé, connectez directement le câble IP-BUS*1 à l'unité de navigation déportée*2.

Branchement du cordon d'alimentation (1)





Remarque :

Les câbles de ce produit et ceux d'autres produits peuvent fort bien ne pas être de la même couleur bien que remplissant la même fonction. Pour relier ce produit à un autre produit, référez-vous au manuel de chacun et effectuez les raccordements en ne tenant compte que de la fonction de chaque câble.

Jaune/noir

Si vous utilisez un appareil possédant une fonction de mise en sourdine (téléphone portable p. ex.), connectez le fil de mise en sourdine audio de cet appareil. Sinon, n'effectuez aucune connexion avec le câble de mise en sourdine audio.

Remarque :

La source audio sera réglée sur sourdine ou atténué, alors que le guidage vocal de navigation ne sera pas mis en sourdine ou atténué. Pour plus de détails, reportez-vous au manuel de fonctionnement.

Vert clair

Cf. page 11.

Remarque :

Si la fonction antenne motorisée est utilisée pour connecter le fil bleu au véhicule, l'antenne motorisée du véhicule se rétracte lorsque le contacteur d'allumage est coupé ou lorsque le panneau avant est détaché.

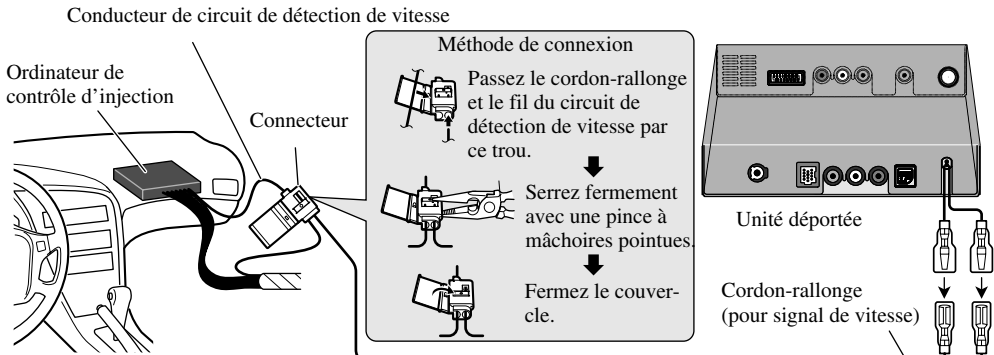
Bleu

Vers la borne de commande de l'antenne motorisée. Si le véhicule est doté d'une antenne intégrée à une vitre, reliez ce conducteur à la borne d'alimentation du booster d'antenne (maximum 300 mA, 12 V c.c.).

Remarque :

Si un haut-parleur d'extrêmes graves est connecté à ce produit et non au haut-parleur arrière, modifiez le réglage de la sortie arrière dans le réglage initial. (Reportez-vous au manuel de fonctionnement.) La sortie pour haut-parleur d'extrêmes graves de ce produit est monaurale.

Branchement du cordon d'alimentation (2)



Remarque : La position du circuit de détection de vitesse dépend du modèle de véhicule. Pour plus de détails, consultez votre revendeur Pioneer agréé ou un installateur professionnel.

Si le raccordement du circuit de détection de vitesse s'avère trop compliqué, raccordez le générateur d'impulsions de vitesse ND-PG1, vendu séparément, au fil conducteur rose.

Remarque : La position du contacteur de frein à main dépend du modèle de véhicule. Pour plus de détails, consultez le manuel de l'utilisateur du véhicule ou un concessionnaire.

Rose (CAR SPEED SIGNAL INPUT)

5 m (16 pieds 5 pouces)

Le système de navigation est raccordé ici afin de détecter la distance parcourue par le véhicule. Raccordez toujours le circuit de détection de vitesse du véhicule ou le générateur d'impulsions de vitesse ND-PG1, vendu séparément. Sans cette connexion, le risque d'erreur d'affichage de la position augmente.

⚠ AVERTISSEMENT

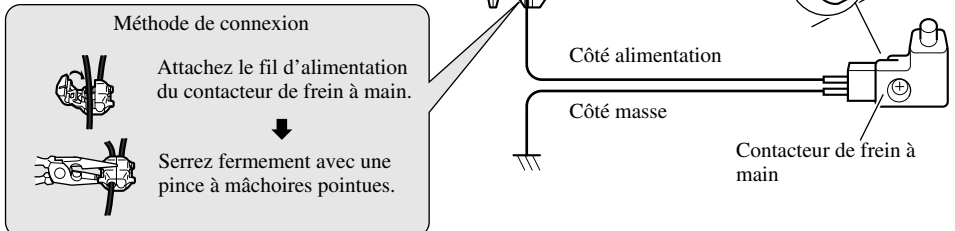
UNE CONNEXION INAPPROPRIÉE RISQUE D'ENTRAÎNER DES DOMMAGES SÉRIEUX OU DES BLESSURES DUES À UN CHOC ÉLECTRIQUE, DES INTERFÉRENCES AVEC LE FONCTIONNEMENT DU SYSTÈME DE FREINAGE ANTIBLOQUAGE DU VÉHICULE, AVEC LA BOÎTE DE VITESSE AUTOMATIQUE ET AVEC LES INDICATIONS DU COMPTEUR DE VITESSE.

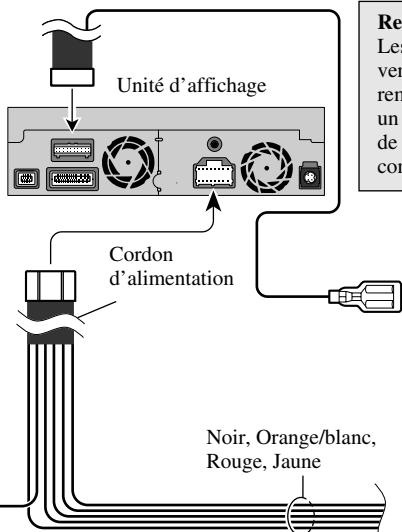
⚠ AVERTISSEMENT

LE FIL VERT CLAIR DU CONNECTEUR D'ALIMENTATION EST CONÇU POUR DÉTECTER L'ÉTAT DE STATIONNEMENT ET DOIT ÊTRE BRANCHÉ CÔTÉ ALIMENTATION ÉLECTRIQUE DU CONTACTEUR DE FREIN À MAIN. UNE CONNEXION INAPPROPRIÉE OU L'UTILISATION DE CE FIL PEUT ÊTRE ILLÉGALE EN REGARD DE LA LOI EN VIGUEUR ET RISQUÉ D'ENTRAÎNER DES BLESSURES SÉRIEUSES OU DES DOMMAGES.

Vert clair

Utilisé pour détecter l'état ON/OFF du frein à main. Ce conducteur doit être raccordé sur l'alimentation du contacteur de frein à main. **Si cette connexion est omise ou mal faite, certaines fonctions du système de navigation ne seront pas utilisables.**





Remarque :

Les câbles de ce produit et ceux d'autres produits peuvent fort bien ne pas être de la même couleur bien que remplissant la même fonction. Pour relier ce produit à un autre produit, référez-vous au manuel d'installation de chacun et effectuez les raccordements en ne tenant compte que de la fonction de chaque câble.

Jaune/noir (GUIDE ON)

Lorsque le présent système de navigation est combiné avec d'autres unités audio Pioneer destinées au véhicule, et si l'installation stéréo du véhicule présente des fils conducteurs jaune/noir, raccordez-les à ces fils conducteurs. De cette façon, quand le guidage sonore est en service et lors d'une commande vocale, le son de l'installation stéréo est automatiquement atténué et le volume sonore est réduit.

Cf. page 9.

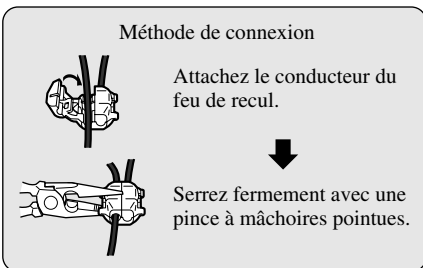
Violet/blanc (REVERSEGEAR SIGNAL INPUT)

Cette connexion est effectuée de sorte que le système de navigation puisse détecter si le véhicule avance ou recule. Raccordez le cordon violet/blanc au cordon dont la tension change quand le levier de vitesse est mis en marche arrière. S'il n'est pas correctement connecté, le capteur peut ne pas bien détecter les mouvements de marche avant/arrière de votre véhicule, la position de votre véhicule détectée par le capteur risque par conséquent de différer de la position effective.

Remarque : Si vous utilisez le générateur d'impulsions de vitesse ND-PG1 (vendu séparément), veillez à effectuer le branchement.

Si vous utilisez une caméra de rétrovisée, assurez-vous de la raccorder. Sinon, vous ne pourrez pas commuter sur les images de la caméra de rétrovisée.

Cf. page 15.



Méthode de connexion

Attachez le conducteur du feu de recul.

Serrez fermement avec une pince à mâchoires pointues.

Conducteur du feu de recul

Résistance de fusible

5 m (16 pieds 5 pouces)

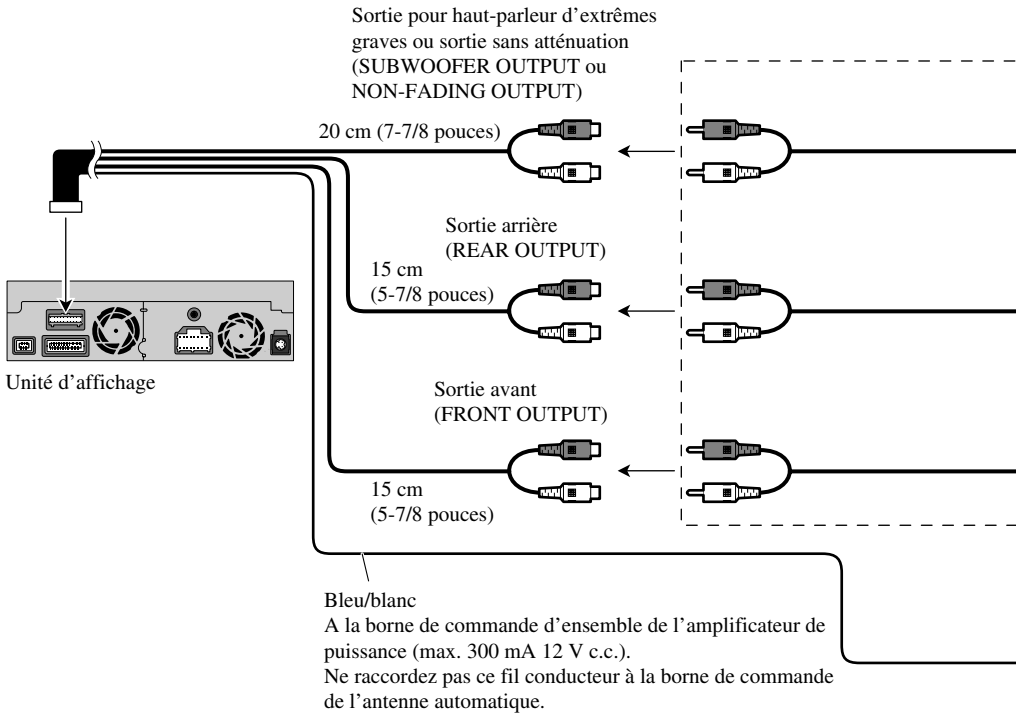
Cordon-rallonge (pour signal de marche arrière)

Vérifiez la position du feu de recul de votre véhicule (celui qui s'allume quand le levier de vitesse est mis en marche arrière [R]) et localisez le conducteur du feu de recul dans le coffre.

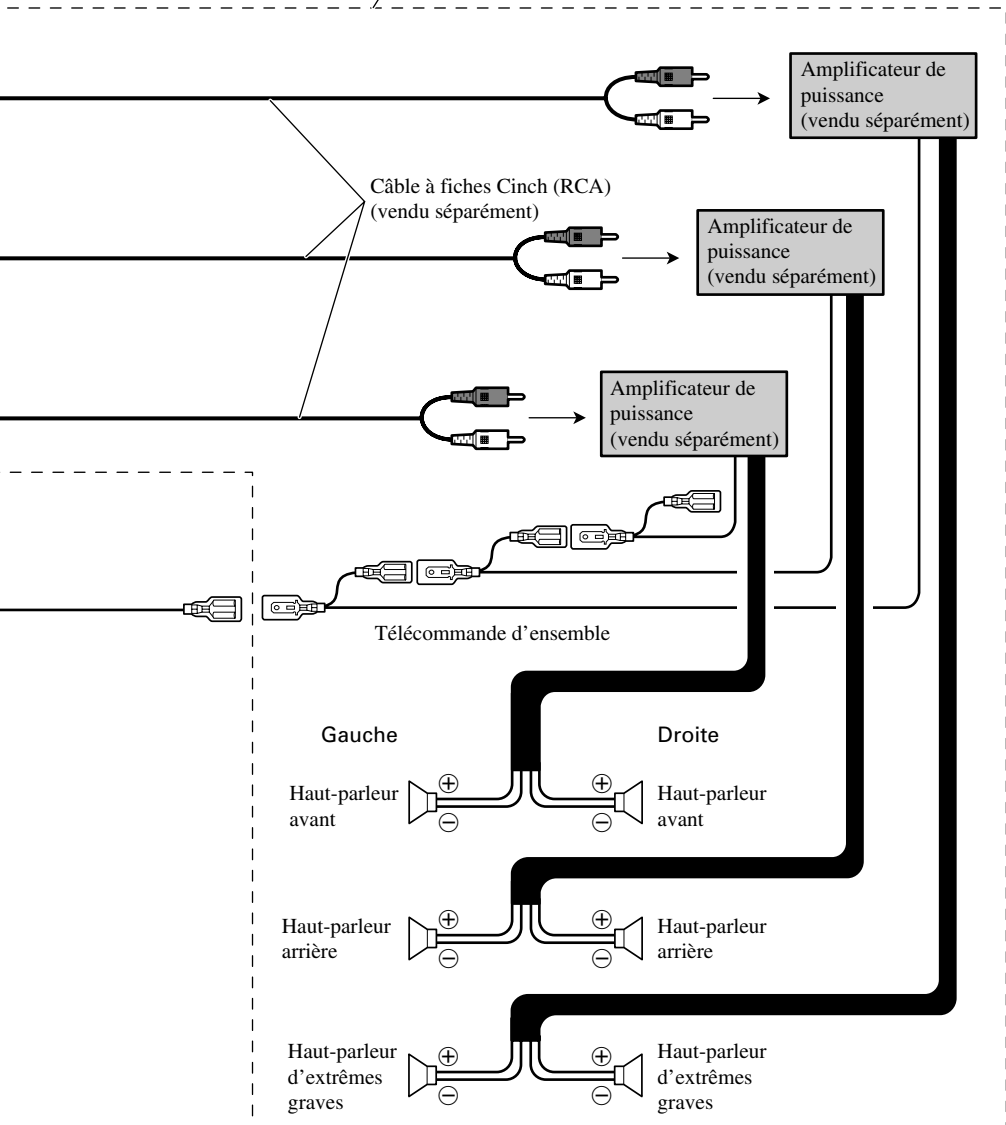
ATTENTION

Veillez à utiliser le cordon-rallonge fourni. L'utilisation d'un cordon différent peut donner lieu à un incendie, à un échauffement et/ou à un endommagement de ce produit.

Pour relier ce produit à un amplificateur de puissance vendu séparément



Effectuez ces connexions si
l'amplificateur en option est utilisé.



Remarque :

Vous pouvez changer la sortie RCA de haut-parleur d'extrêmes graves selon le système de haut-parleur d'extrêmes graves que vous utilisez. (Pour plus de détails, reportez-vous au manuel de fonctionnement.)

Pour relier ce produit avec une caméra de rétrovisée

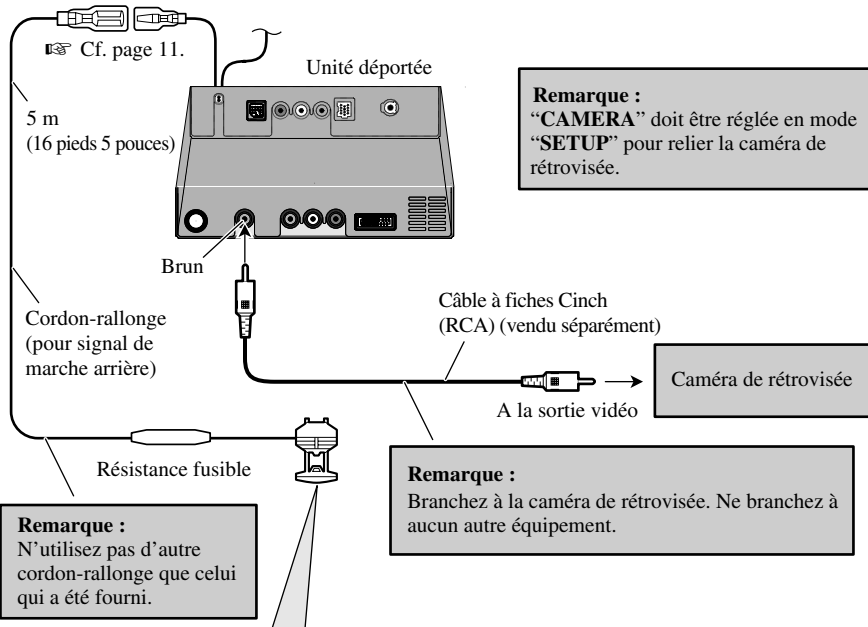
Lorsque ce produit est utilisé avec une caméra de rétrovisée, cette dernière peut passer automatiquement en vidéo lorsque le levier de vitesse est placé en position **REVERSE (R)**. Le mode de rétrovisée vous permet également de contrôler en conduisant ce qui se passe à l'arrière de votre véhicule.

⚠ AVERTISSEMENT

UTILISEZ L'ENTREE UNIQUEMENT POUR LA MARCHÉ ARRIERE OU L'IMAGE INVERSE DE LA CAMERA DE RETROVISEE. TOUTE AUTRE UTILISATION PEUT ENTRAINER DES BLESSURES OU DES ENDOMMAGEMENTS.

⚠ ATTENTION

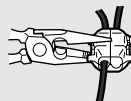
- L'image de l'écran peut apparaître inversée.
- La fonction de caméra de rétrovisée permet d'utiliser ce produit en tant qu'aide pour surveiller une caravane, ou pour se garer en marche arrière dans un emplacement de parking un peu étroit. N'utilisez pas cette fonction dans un but de divertissement.
- L'objet visualisé dans la caméra de rétrovisée peut paraître plus proche ou plus éloigné qu'en réalité.
- Veuillez noter que les bords des images de la caméra de rétrovisée peuvent légèrement différer selon que les images plein écran sont affichées en marche arrière, ou que les images sont utilisées pour contrôler ce qui se passe à l'arrière du véhicule en marche avant.



Méthode de connexion

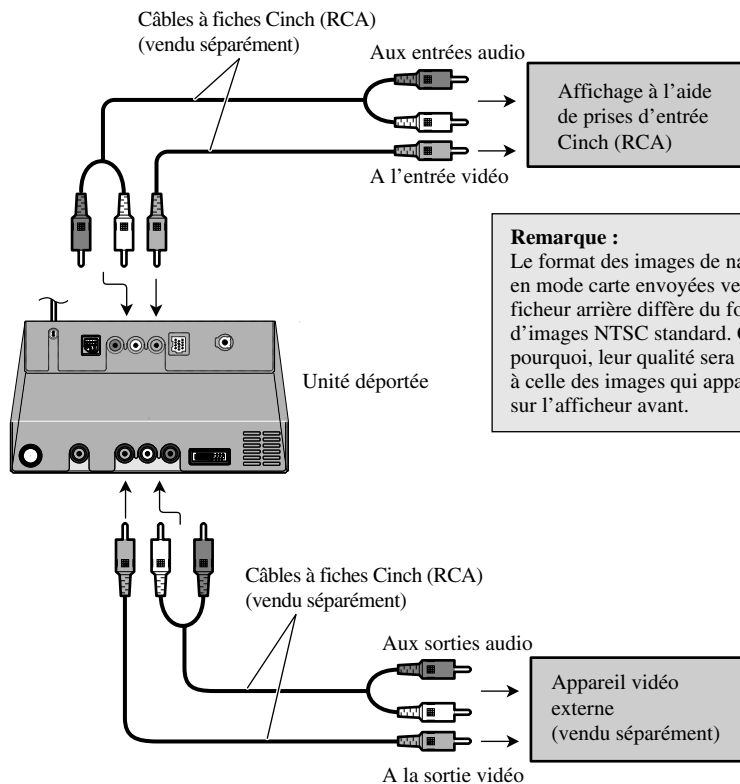


1. Attachez le fil.



2. Serrez fermement avec une pince à mâchoires pointues.

Pour relier l'appareil vidéo externe et l'affichage



- “AV INPUT” ou “REAR DISP” doit être réglé en mode “SET UP” pour relier l'appareil vidéo externe.

Pour utiliser un écran branché à la sortie vidéo arrière

La sortie vidéo arrière de ce produit permet de brancher un écran afin que les passagers arrière puissent regarder la source vidéo.

⚠ AVERTISSEMENT

- NE JAMAIS installer l'afficheur arrière à un endroit qui permette au conducteur de regarder la source vidéo en conduisant.
- NE JAMAIS brancher la sortie audio arrière (REAR OUT) à des amplificateurs de puissance vendus séparément.

AVERTISSEMENT

- Pioneer déconseille d'installer ou d'entretenir vous-même votre système de navigation car ces travaux comportent des risques d'électrocution et d'autres dangers. Confiez l'installation et l'entretien à un personnel de service Pioneer qualifié.

ATTENTION

- Ne jamais installer ce produit à un endroit ou de telle sorte qu'elle :
 - * Risque de blesser le conducteur ou les passagers en cas d'arrêt brusque.
 - * Peut interférer avec les commandes de manœuvre du conducteur, tel que sur le sol, en face du siège conducteur, ou à proximité du volant ou du levier de vitesse.
- Assurez-vous que rien ne se trouve derrière le tableau de bord ou une cloison avant d'y percer des trous. Veillez à ne pas endommager les canalisations de carburant et de frein, les composants électroniques, les câbles de communication ou d'alimentation.
- Si vous utilisez des vis, veillez à ce qu'elles n'entrent pas en contact avec un conducteur électrique. Les vibrations peuvent endommager les câbles ou l'isolation, en entraînant un court-circuit ou d'autres dommages sur le véhicule.
- Pour que l'installation soit correcte, utilisez les pièces fournies de la manière spécifiée. L'emploi de pièces différentes peut endommager les composants intérieurs de ce produit ou, en se détachant, les pièces peuvent provoquer la chute du ce produit.
- Une situation très dangereuse pourrait se présenter si le câble d'antenne GPS ou le fil du microphone devait s'enrouler autour de la colonne de direction ou du levier de vitesse. Veillez à installer ce produit de telle sorte que rien ne fasse obstacle à la conduite.
- Assurez-vous qu'aucun fil ou conducteur n'est coincé dans une porte ou le mécanisme de coulissement d'un siège, car ceci pourrait provoquer un court-circuit.
- Vérifiez le bon fonctionnement des autres équipements du véhicule après l'installation du système de navigation.
- Certaines lois gouvernementales peuvent interdire ou restreindre l'emplacement et l'utilisation de ce système dans votre véhicule. Veuillez vous conformer à toutes les lois et réglementations en vigueur concernant l'utilisation, l'installation et le fonctionnement de votre système de navigation.

- **N'installez pas l'unité d'affichage ou l'unité déportée à un endroit où elle risque (i) d'entraver la visibilité du conducteur, (ii) de réduire l'efficacité des systèmes de commande des fonctions de sécurité du véhicule, y compris les sacs gonflables, les boutons de commande des feux de détresse ou (iii) d'empêcher le conducteur de conduire le véhicule en toute sécurité.**
- **Installez l'unité d'affichage entre le siège conducteur et le siège passager avant afin qu'elle ne puisse pas être percutée par le conducteur ou le passager avant en cas de freinage brusque.**
- **N'installez jamais l'unité d'affichage en face ou à proximité du tableau de bord, d'une porte ou d'un montant de carrosserie où les sacs gonflables de votre véhicule sont susceptibles de se déployer. Référez-vous au manuel d'utilisateur pour connaître la zone de déploiement des sacs gonflables avant.**
- **N'installez pas l'unité d'affichage ou l'unité déportée à un endroit où elle risque d'entraver la visibilité du conducteur, de réduire l'efficacité des systèmes de commande des fonctions de sécurité du véhicule, y compris les dispositifs de sac gonflable et d'appui-tête.**

Pour protéger le système de navigation contre les parasites électromagnétiques

- Pour éviter toute interférence, placez les éléments suivants le plus loin possible du système de navigation, d'autres câbles ou cordons :
 - Antenne TV et cordon d'antenne
 - Antenne FM, AM et son cordon
 - Antenne GPS et son cordon

En outre, chaque câble d'antenne doit toujours être posé ou acheminé le plus loin possible des autres câbles d'antenne.

Ne les regroupez pas ensemble, ne les posez ou acheminez pas ensemble, et ne les croisez pas.

Des parasites électromagnétiques ainsi engendrés risquent d'accroître le potentiel d'erreurs dans l'affichage de l'emplacement.

Avant de procéder à l'installation

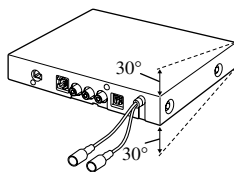
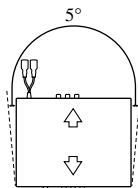
- Consultez le concessionnaire le plus proche si l'installation nécessite le percement de trous ou toute autre modification du véhicule.
- Avant d'installer ce produit définitivement, connectez le câblage provisoirement pour vous assurer que les connexions sont correctes et que le système fonctionne normalement.

Installation de l'unité d'affichage et de l'unité déportée

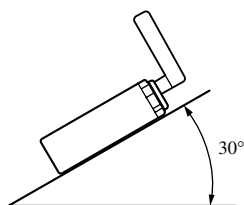
Remarques sur l'installation

- N'installez pas l'unité d'affichage ou l'unité déportée à un endroit où elle risque d'être soumise à des températures élevées ou de l'humidité, tel que :
 - * A proximité du chauffage, de la ventilation ou de la climatisation.
 - * En plein soleil, comme sur le dessus du tableau de bord ou de la lunette arrière.
 - * Evitez un endroit où l'unité peut être mouillée par la pluie, comme près d'une porte.
- Choisissez une position suffisamment stable pour soutenir le poids de ce produit. Choisissez une position où l'unité d'affichage ou l'unité déportée peut être installée solidement et en toute sécurité.

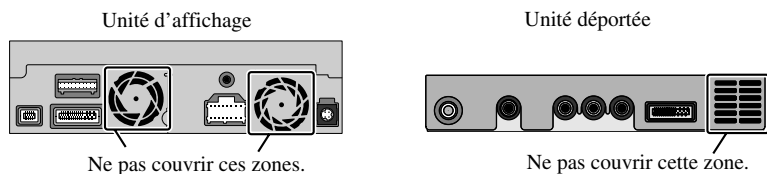
Si ce produit n'est pas fixé correctement, l'emplacement actuel du véhicule ne peut pas être affiché correctement.
- N'installez pas l'unité déportée sur le couvercle du pneu de rechange ou tout autre endroit soumis à des vibrations.
- Si l'unité déportée est installée sous un siège avant, assurez-vous qu'elle ne fait pas obstacle au coulissement du siège.
- N'installez pas l'unité déportée dans une position la mettant en contact avec des bagages. Des chocs avec des objets lourds ou des chocs soudains subis par l'unité déportée peuvent nuire à la précision de l'affichage de la position courante du véhicule.
- Evitez d'installer l'unité déportée à un endroit où elle gênerait l'accès au pneu de rechange, au cric, à des outils, etc.
- Assurez-vous qu'un disque puisse être éjecté de l'unité d'affichage, une fois qu'elle est installée.
- Installez l'unité déportée horizontalement sur une surface avec une tolérance de +30 degrés à -30 degrés (dans une plage de cinq degrés vers la gauche ou la droite par rapport au sens de déplacement de votre véhicule). Un défaut d'installation de l'unité avec une inclinaison de la surface supérieure à cette marge de tolérance risque d'accroître le potentiel d'erreurs dans l'affichage de l'emplacement, ou risque de réduire les performances d'affichage.



- Si l'angle d'installation est supérieur à 30° de l'horizontale, l'unité d'affichage risque de ne pas donner ses meilleures performances.

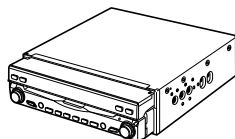


- Les câbles ne doivent pas traverser la zone indiquée dans la figure ci-dessous, afin que les amplificateurs et le mécanisme de navigation puissent transmettre librement.

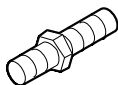


- En cas de surchauffe, le laser semi-conducteur peut être endommagé, n'installez donc pas ce produit près d'une source de chaleur — par exemple, près d'une bouche d'air.
- Lorsque vous installez l'unité déportée dans le coffre, utilisez le cordon-rallonge de câble (par ex. CD-SC300E) (vendu séparément).
- N'installez pas l'unité d'affichage à un endroit où l'ouverture du panneau LCD risque d'être entravée par des obstacles, tels que le levier de vitesse. Ceci risque de provoquer des interférences avec le levier de vitesse, ou un dysfonctionnement du mécanisme de l'unité d'affichage.

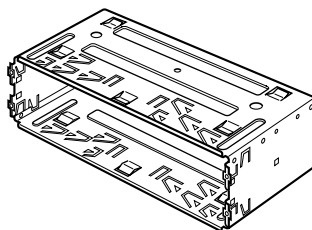
Pièces fournies



Unité d'affichage



Vis



Support



Support latéral
(2 pièces)



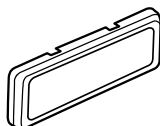
Bague en caoutchouc



Vis de pression
(5 × 6 mm)
(4 pièces)



Vis à tête plate
(5 × 6 mm)
(4 pièces)



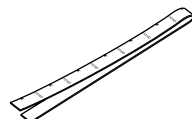
Cadre



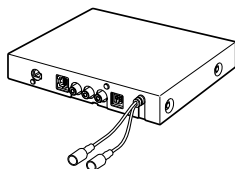
Vis
(4 × 3 mm)
(4 pièces)



Vis à fixation
(2 pièces)



Ruban adhésif de
masquage



Unité déportée



Support latéral
(2 pièces)



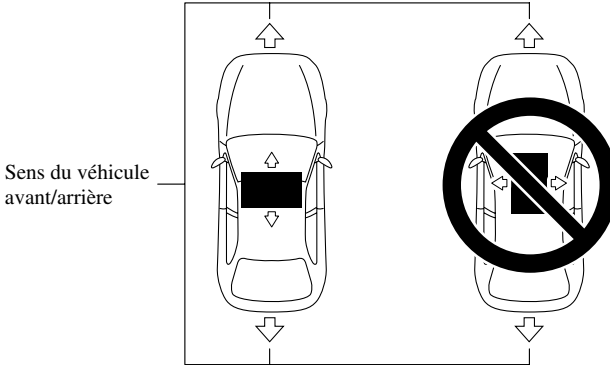
Vis à collerette
(4 × 8 mm)
(4 pièces)



Vis auto-
taraudeuse
(6 × 16 mm)
(4 pièces)

⚠ ATTENTION

- Effectuez l'installation avec les côtés gauche et droit de l'unité déportée perpendiculairement ou parallèlement au sens de déplacement du véhicule. N'effectuez pas d'installation en diagonale par rapport au sens de déplacement du véhicule sinon la position actuelle ne s'affichera pas correctement.

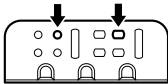


- Veillez à installer l'unité déportée sur le sol, le côté sérigraphié vers le haut. Le système de navigation ne fonctionnera correctement que dans cette position.

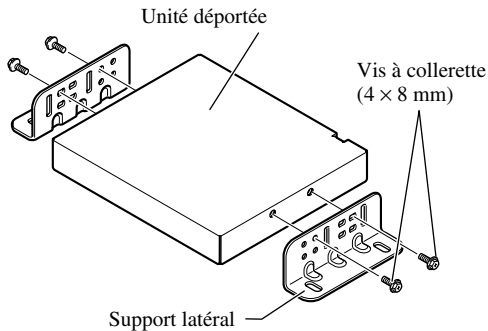
Installation de l'unité déportée**1. Fixez les supports latéraux sur l'unité déportée.**

Lorsque l'unité déportée est installée sur le plancher ou le panneau d'installation sous le siège passager, etc., les supports latéraux doivent être fixés à l'unité.

Utilisez les trous suivants dans les supports latéraux.

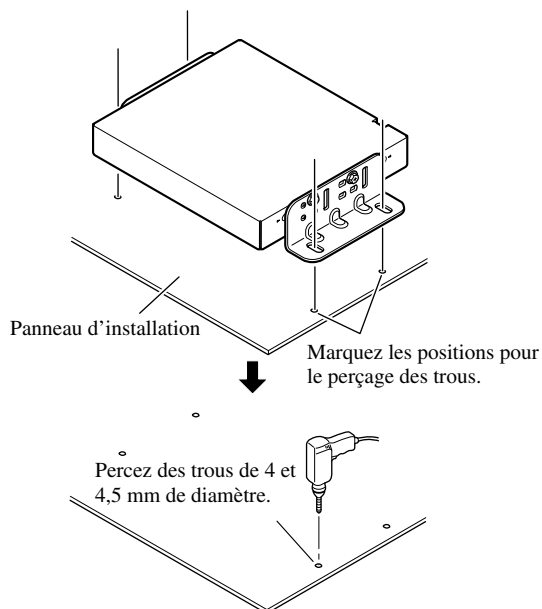


Si les supports latéraux sont glissés parallèlement, vous pouvez également utiliser d'autres trous qui correspondent avec les trous de l'unité déportée.



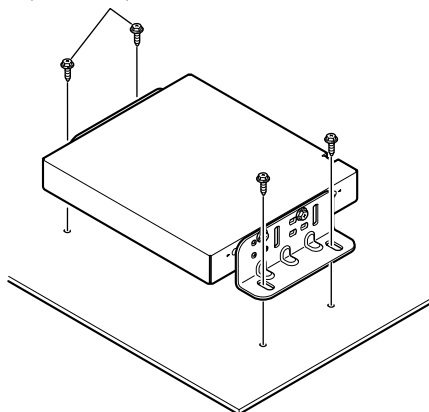
Lorsque l'unité déportée est installée sous le siège passager, etc., utilisez le panneau d'installation.

2. Choisissez la position d'installation, et percez les trous.



3. Assurez le maintien solidement à l'aide des vis auto-taraudeuses.

Vis auto-taraudeuses
(6 × 16 mm)



Montage DIN avant/arrière

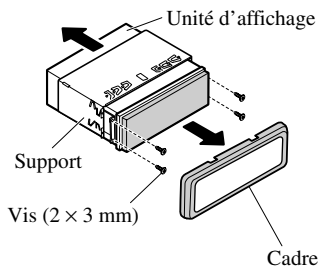
Cette unité d'affichage peut être convenablement installée en choisissant soit la méthode habituelle de montage par "l'avant" (montage DIN avant), soit la méthode de montage par "l'arrière" (montage DIN arrière faisant appel aux perçages filetés de chaque côté du châssis). Pour de plus amples détails concernant cette question, reportez-vous aux illustrations qui suivent.

Avant d'installer l'unité d'affichage

• Retirez le cadre et le support.

Pour déposer le cadre, étendez ses parties supérieure et inférieure vers l'extérieur afin de le débloquer. Desserrez les vis (2×3 mm) pour déposer le support. (Quand vous remettez le cadre en place, veillez à ce que le côté portant une rainure soit orienté vers le bas.)

- Le déblocage du panneau avant facilitera la dépose du cadre.

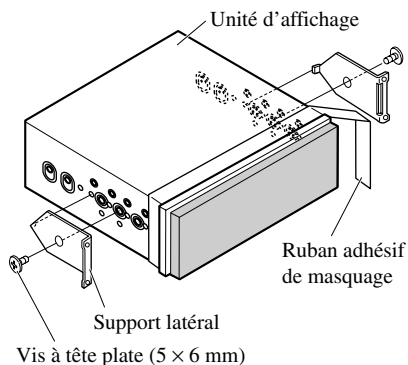


Montage DIN avant

Installation avec une bague en caoutchouc

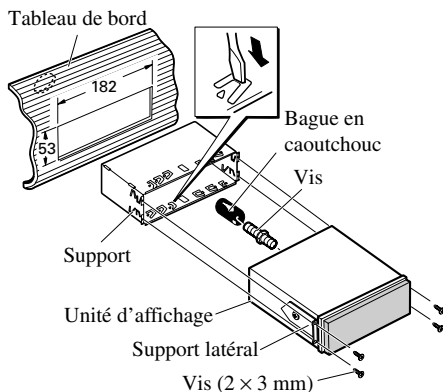
1. Choisissez la position des supports latéraux.

Si vous le montez sur une zone creuse, changez la position des supports latéraux. Dans ce cas, collez du ruban adhésif de masquage sur les protubérances du tableau de bord.



2. Installez l'unité d'affichage sur le tableau de bord.

Après avoir introduit le support dans le tableau de bord, sélectionnez les languettes appropriées en fonction de l'épaisseur du matériau du tableau de bord et courbez-les. (Assurez le maintien aussi solidement que possible en utilisant les languettes inférieures et supérieures. Cela fait, courbez les languettes de 90 degrés.)



- Après avoir installé l'unité d'affichage sur le tableau de bord, fixez à nouveau le cadre.
- Si vous préférez une installation excentrée pour que le panneau avant soit poussé plus en arrière, si un espace est libre à l'arrière de l'unité, utilisez AD-GA10 (vendu séparément).

Montage DIN arrière

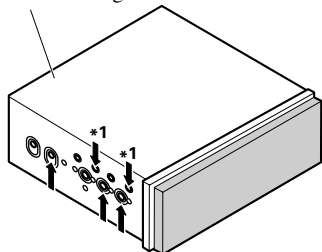
Installation en utilisant les trous de vis sur les côtés de unité

- **Fixation de unité au support pour le montage d'autoradio usine.**

Choisir la position selon laquelle les orifices de vis du support et ceux des vis de l'unité d'affichage sont alignés (correspondent) et serrer les vis sur 2 endroits de chaque côté. Utilisez soit les vis (4 × 3 mm), les vis de pression (5 × 6 mm) ou les vis à tête plate (5 × 6 mm), en fonction de la forme des trous de vis dans le support.

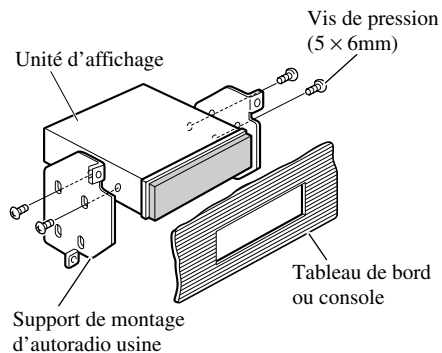
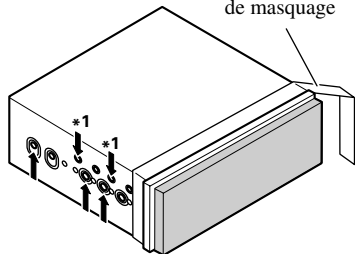
*1 Utilisez uniquement les vis (4 × 3 mm).

Unité d'affichage



- Lors de l'installation sur une zone creuse, utilisez les trous de vis suivants. Dans ce cas, collez du ruban adhésif de masquage sur les protubérances du tableau de bord.

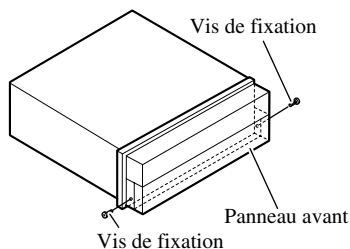
Ruban adhésif de masquage



Fixation du panneau avant

Si vous n'utilisez pas la fonction de retrait et de fixation du panneau avant, utilisez les vis de fixation fournies pour fixer le panneau avant à l'unité.

- **Fixez le panneau avant à l'unité à l'aide de vis de fixation après avoir retiré le châssis.**



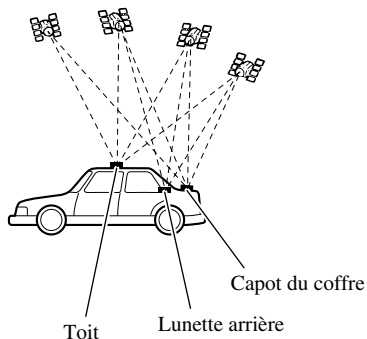
Installation de l'antenne GPS

⚠ ATTENTION

- Ne coupez pas le câble d'antenne GPS pour le raccourcir et n'utilisez pas d'extension pour le rallonger. Le fait d'intervenir sur le câble d'antenne risque d'entraîner un court-circuit ou un dysfonctionnement et d'endommager définitivement le produit.

Remarques sur l'installation

- L'antenne doit être installée sur une surface à niveau où les ondes radio sont bloquées le moins possible. Les ondes radio ne peuvent pas être captées correctement par l'antenne si la réception des satellites est gênée. Une installation sur le toit ou sur le capot du coffre est conseillée pour optimiser la réception.



- Si vous installez l'antenne GPS à l'intérieur du véhicule, utilisez la plaque métallique fournie avec le système. La sensibilité de réception sera faible si elle n'est pas utilisée.
- Ne coupez pas la plaque métallique car la sensibilité de l'antenne GPS en serait réduite.
- Ne tirez pas sur le câble lorsque vous déplacez l'antenne GPS, car il pourrait s'arracher du fait qu'un aimant très puissant est fixé sur l'antenne.
- L'antenne GPS s'installe grâce à un aimant. Veillez à ne pas rayer la carrosserie lors de son installation.
- Si l'antenne GPS est installée hors du véhicule, posez-la à l'intérieur lors d'un lavage automatique, faute de quoi elle pourrait rayer la carrosserie.
- Pour ne pas réduire ses performances, ne peignez pas l'antenne GPS.

Pièces fournies



Antenne GPS



Plaque métallique



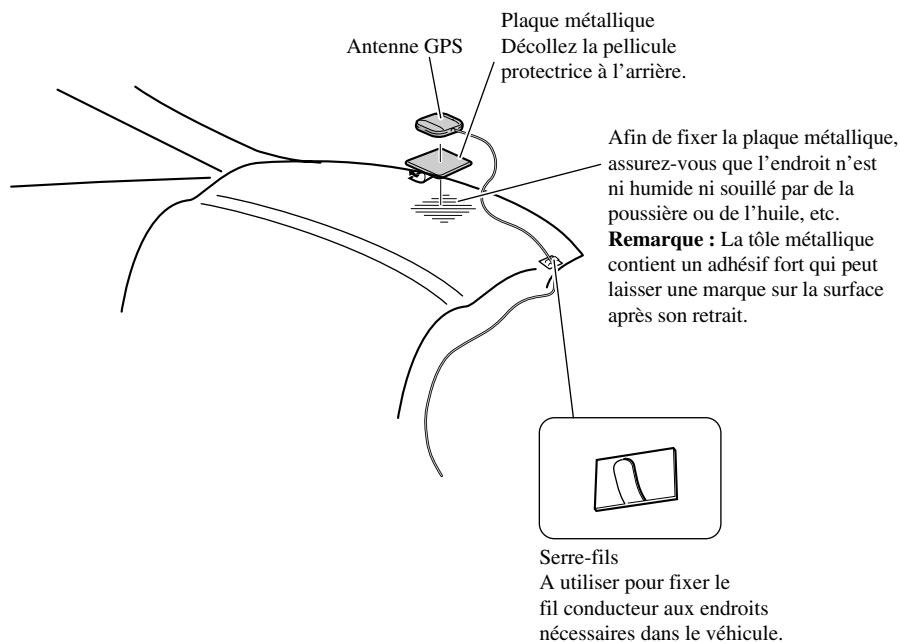
Serre-fils (5 pièces)



Coussin étanche

Installation de l'antenne dans le véhicule (sur la tablette arrière)

Fixez la plaque métallique sur une surface aussi plate que possible où l'antenne GPS sera dirigée vers une vitre. Posez l'antenne GPS sur la plaque métallique. (L'antenne GPS est immobilisée par son propre aimant.)

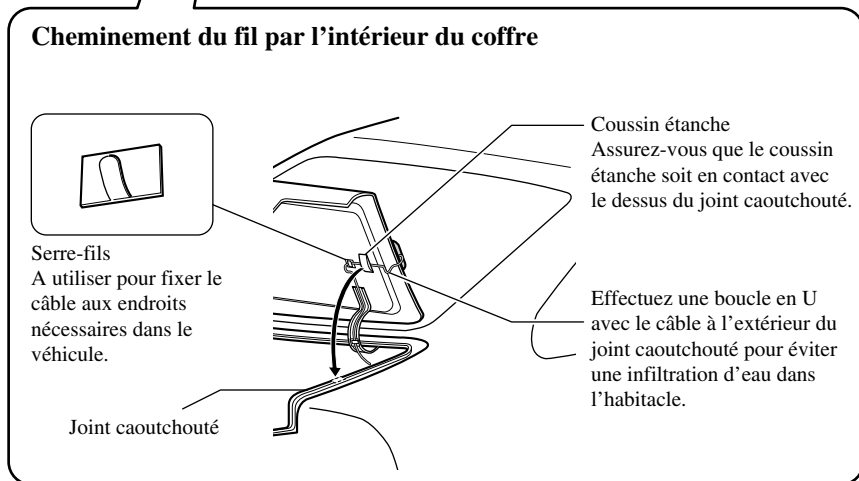
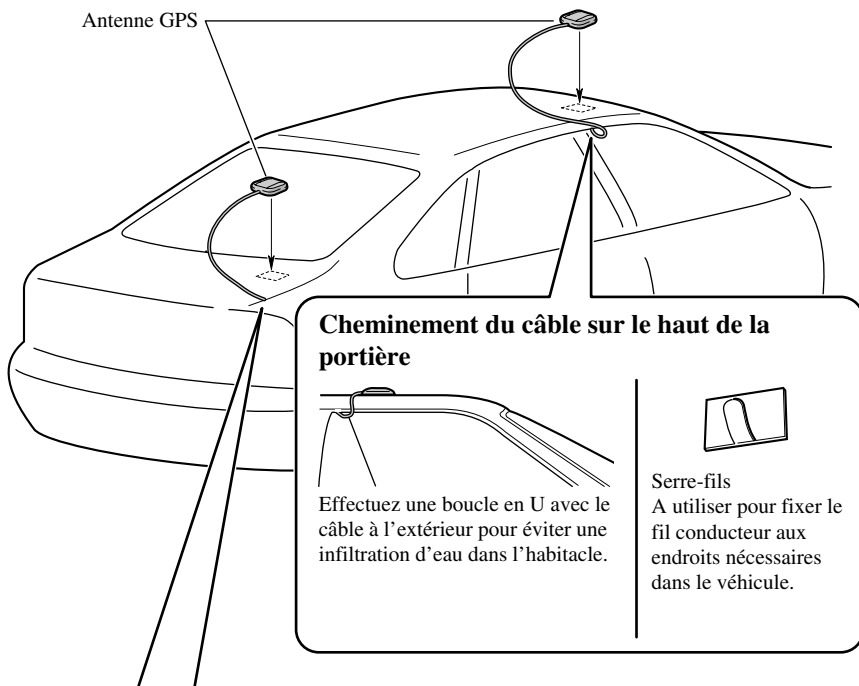


Remarque :

- Lors de la fixation de la plaque métallique, ne la coupez pas en petits morceaux.
- Certains modèles de véhicule ont des vitres qui ne laissent pas passer les signaux des satellites GPS. Dans ce cas, installez l'antenne GPS à l'extérieur du véhicule.

Installation de l'antenne à l'extérieur du véhicule (sur la carrosserie)

Posez l'antenne GPS sur une surface aussi plate que possible, telle que le toit ou le capot du coffre. (L'antenne GPS est immobilisée par son propre aimant.)



1. Branchement de la batterie.

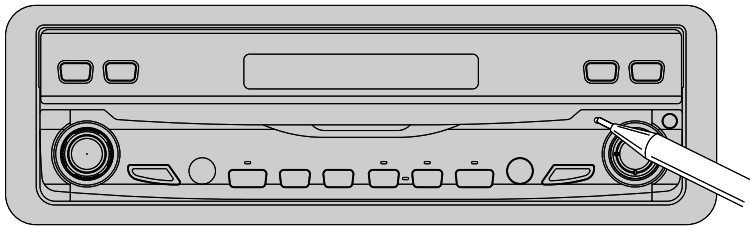
Vérifiez une nouvelle fois que toutes les connexions ont été bien faites et que ce produit est correctement installé.

Remontez tous les composants du véhicule qui ont été déposés, puis rebranchez le câble négatif (-) sur la borne négative (-) de la batterie.

2. Mettez le moteur en marche.

3. Appuyez sur la touche RESET de l'unité d'affichage.

A l'aide de la pointe d'un stylo-bille par exemple, appuyez sur la touche RESET de l'unité d'affichage.



4. Entrez les réglages suivants :

1. Installez le programme dans le système de navigation.
2. Conduisez jusqu'à ce que le capteur initialisé fonctionne normalement.
3. Réglez l'heure et la langue.

Consultez le "Manuel de fonctionnement" ou "Manuel de matériel" en ce qui concerne la configuration de votre système de navigation automobile.

Remarque :

Si vous avez reconnecté l'unité déportée, appuyez sur la touche RESET.

Après avoir installé ce produit, veuillez à vérifier en toute sécurité que votre véhicule fonctionne normalement.

PIONEER CORPORATION

4-1, MEGURO 1-CHOME, MEGURO-KU, TOKYO 153-8654, JAPAN

PIONEER ELECTRONICS (USA) INC.

P.O. Box 1540, Long Beach, California 90801-1540, U.S.A.
TEL: (800) 421-1404

PIONEER EUROPE NV

Haven 1087, Keetberglaan 1, B-9120 Melsele, Belgium
TEL: (0) 3/570.05.11

PIONEER ELECTRONICS ASIACENTRE PTE. LTD.

253 Alexandra Road, #04-01, Singapore 159936
TEL: 65-6472-7555

PIONEER ELECTRONICS AUSTRALIA PTY. LTD.

178-184 Boundary Road, Braeside, Victoria 3195, Australia
TEL: (03) 9586-6300

PIONEER ELECTRONICS OF CANADA, INC.

300 Allstate Parkway, Markham, Ontario L3R OP2, Canada
TEL: 1-877-283-5901

PIONEER ELECTRONICS DE MEXICO, S.A. de C.V.

Blvd. Manuel Avila Camacho 138 10 piso
Col.Lomas de Chapultepec, Mexico, D.F. 11000
TEL: 55-9178-4270

先鋒股份有限公司

總公司: 台北市中山北路二段44號13樓

電話: (02) 2521-3588

先鋒電子(香港)有限公司

香港九龍尖沙咀海港城世界商業中心9樓901-6室

電話: (0852) 2848-6488

Published by Pioneer Corporation.
Copyright © 2005 by Pioneer Corporation.
All rights reserved.

Publication de Pioneer Corporation.
Copyright © 2005 Pioneer Corporation.
Tous droits de reproduction et de traduction
réservés.

Printed in China
Imprimé en Chine

<CRD4069-A/U> UC

<KYGHX> <05K00001>