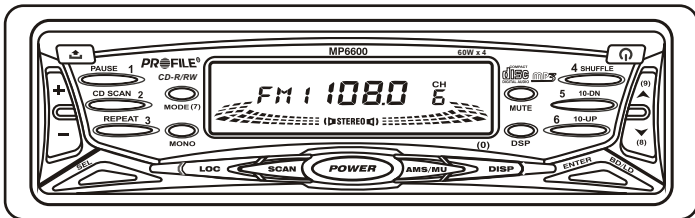


PROFILE®

Installation Instructions / Owner's Manual

MP6600

AM/FM HIGH POWER SLIDE DOWN DETACHABLE FACE
MP3 / COMPACT DISC PLAYER



COMPACT
disc
DIGITAL AUDIO

I NTRODUCTION

Congratulations on your purchase of a Profile state-of-the-art single disc CD/MP3 player. Your selection of a Profile car audio product indicates a true appreciation of fine musical reproduction. Whether adding to an existing system or including your Profile CD/MP3 player in a new system, you are certain to notice immediate performance benefits.

F EATURES

- 60W x 4 Power Output
- MP3 Playback
- CD-R/CD-RW Capability
- Dual RCA Line Output
- Clock
- 24 Station Memory
- 4 Band Preset Equalizer
- Power Level Meter
- Multi-Color LCD
- Infrared Remote Control
- ISO/DIN Mounting
- Blinking Security L.E.D.
- Full Electronic Function Controls
- Disc Scan, Random & Repeat Play

K EEP YOUR SALES RECEIPT

Take this time to attach your sales receipt to the manual and put in a safe place. In case of any reason this product may need warranty service, your receipt will be necessary to establish purchase date.

I MPORTANT! Before making any connections, disconnect the car's battery until the installation is completed to avoid possible damage to the electrical system.

Serial # _____ Purchase Date _____

SAFETY PRECAUTIONS

Secure the CD/MP3 player.

When installing your CD/MP3 player in the vehicle, make sure it is mounted properly in the dash, using an after market installation kit if needed. When using the supplied mounting bracket, it is a must that you also use the supplied back brace to support the back of the CD/MP3 player.

Use caution when mounting the CD/MP3 player.

Remember there are many electrical wires, vacuum lines, brake lines and air bag deployment wires. Make sure you know where they are when mounting the CD/MP3 player to avoid puncturing lines, and shorting wires.

Use high grade wire connectors.

To ensure maximum power transfer and secure safe connections, it is recommended to use high grade barrel or crimp cap connectors.

Do not run any wires underneath the vehicle.

Exposed wires can be cut or damaged. It is best to run all wires through the vehicle under the carpet and/or side panels. This enables to a cleaner installation and less risk of damage.

Run signal wires away from electrical wires.

To avoid possibility of induced noise from the car's electrical system (i.e. popping noises or engine noise), run signal wires away from the car's electrical wiring.

Make all ground wires as short as possible and terminated at the same point.

In order to reduce the chance of ground loops (i.e. engine noise), make the grounded wire as short as possible to reduce the wire's resistance. Also, when using multiple components, make sure all units are grounded at the same point.

Avoid sharp edges when running the wires.

To avoid the possibility of power, signal or speaker shorts, be careful not to allow the amplifier wires to come in contact with sharp edges. Use a grommet to protect the wire when running through the fire wall.

CARE AND MAINTENANCE

Cleaning the CD/MP3 player.

When cleaning the vehicle, be sure not to get any water in or on the CD/MP3 player. Clean only the exterior surface of the unit with a dry, clean soft towel using no chemical solvents.

Operating in extreme temperatures

Sometimes the unit will not operate in extreme, hot or cold temperatures. If this is the case, wait until the temperature in the vehicle is normal, then resume operation.

Protect your CD's.

When not using the disc player, it is recommended that you remove the CD. Do not leave an ejected disc sitting on the edge of the disc player for long periods of time. The disc will warp under direct sunlight. Always put each disc in its case to protect them during times of non-use.

CD operation.

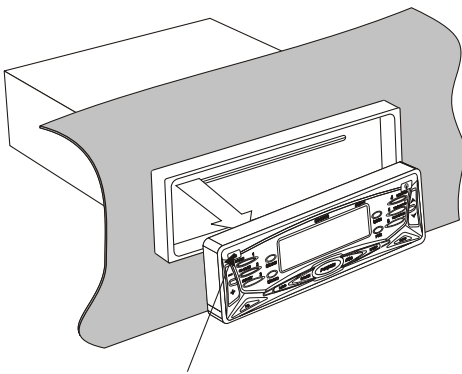
Never attempt to force anything other than a compact disc in the disc slot. This disc player is a precision instrument that could be damaged by a foreign object.

Disc skip.

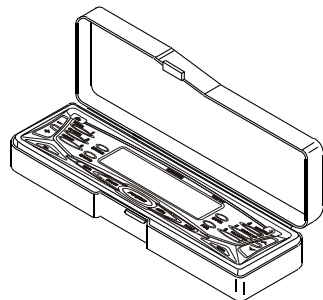
When driving down a very rough road, the disc may skip. This will not scratch or damage the disc.

Removing and protecting detachable front panel.

The front panel of the radio may be removed as a theft deterrent. After removing the front panel, use the case provided to keep the front panel from getting damaged.



PUSH RELEASE BUTTON
TO DETACH THE FRONT PANEL

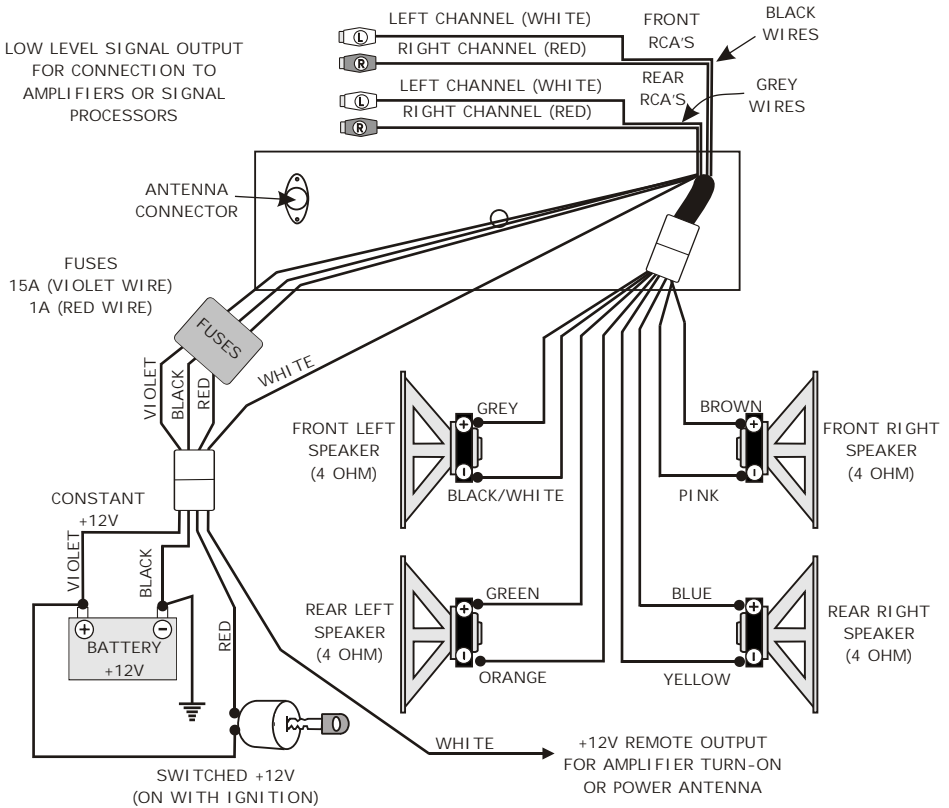


ELECTRICAL AND SIGNAL CONNECTIONS

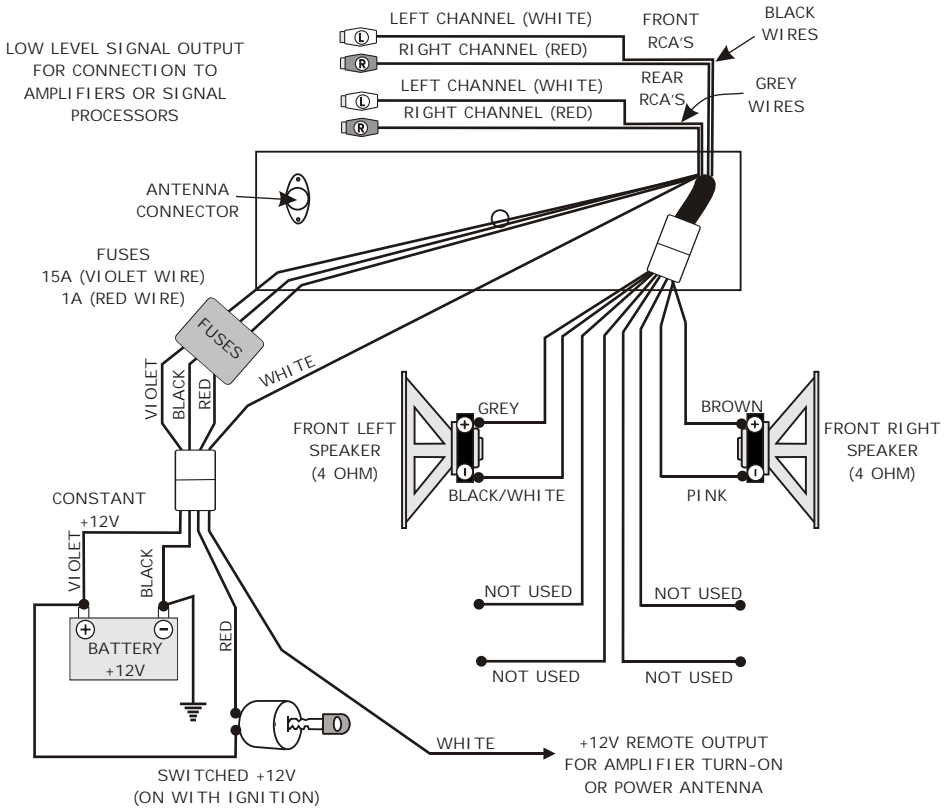
Before making the following connections, take time to look over the vehicle's wiring and determine the location and wires you will be connecting to. If you do not wish to cut or tap into the vehicle's existing factory wiring, there are wiring kits available at your car audio retailer that will allow you to plug directly into the factory wiring harness. Make sure to test all wires before connecting to the CD Player.

- Connect Black wire to chassis ground.
- Connect the Violet memory backup wire to a Constant +12 Volt power source wire.
- Connect the Red ignition wire to an accessory +12 Volt power source wire. (The power wire that is energized when the key is in the accessory position).
- The White wire is connected only if a power antenna or an amplifier is used in the system. This wire supplies +12 Volt output when the CD Player is turned on, which activates most power antenna relays or amplifier turn on circuits.

FOUR SPEAKER SYSTEM



TWO SPEAKER SYSTEM

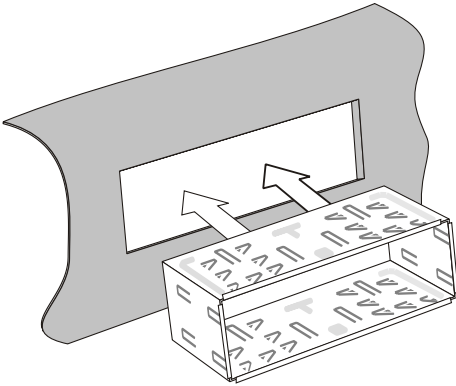


CAUTION! Tape unused wires so they do not short against other wires or chassis ground.

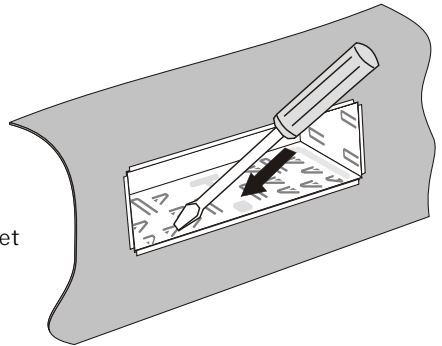
MOUNTING THE CD/MP3 PLAYER

There are two different ways to mount the CD / MP3 Player. In most Japanese vehicles you can use the factory mounting brackets, taking advantage of the ISO/DIN opening. If your vehicle does not have ISO/DIN opening, you can mount the CD/MP3 Player using the supplied DIN sleeve and rear support bracket. When considering your mounting location, make sure the unit will be level. If you cannot mount the CD/MP3 Player level, due to your vehicle's design, make sure there is no more than a 30 degree tilt. Keeping this in mind will assure proper CD/MP3 play and overall reliability.

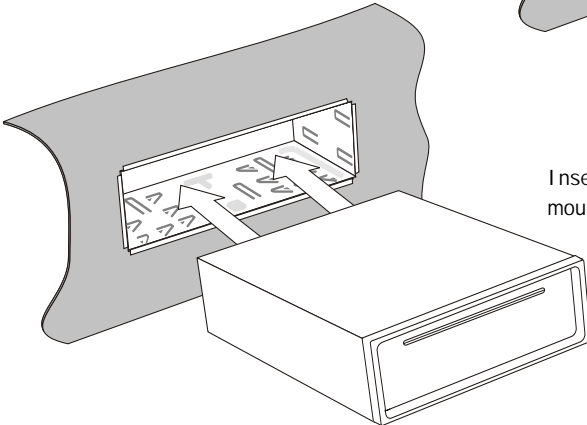
DIN SLEEVE MOUNTING



Insert the mounting sleeve into a standard DIN cutout in the dash kit, dashboard or Console.

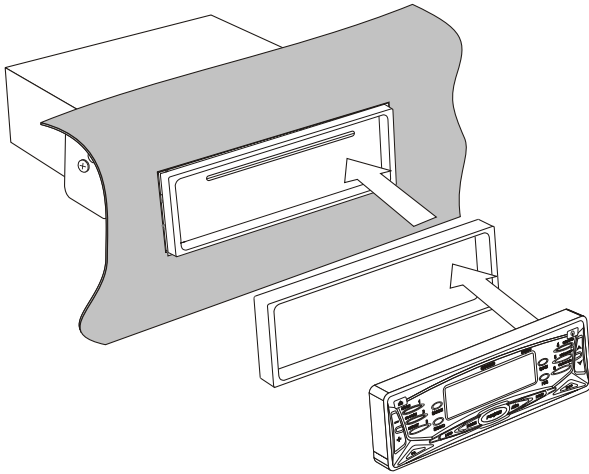
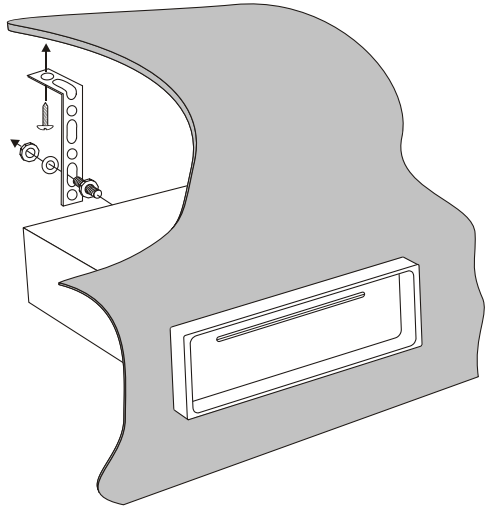


Bend the mounting tabs of the sleeve with a screwdriver to secure the bracket firmly in place.



Insert the CD/MP3 Player in the mounting sleeve until it locks.

Attach the back brace to the CD/MP3 player using the supplied hardware. Then attach the other end of the brace to a firm mounting surface (i.e. Dash brace, fire wall, e.t.c.) This will brace the back of the CD/MP3 player to ensure solid mounting to prevent theft and provide optimal CD play.

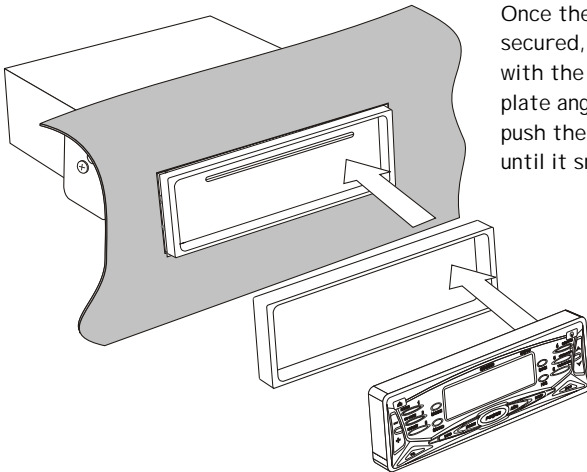
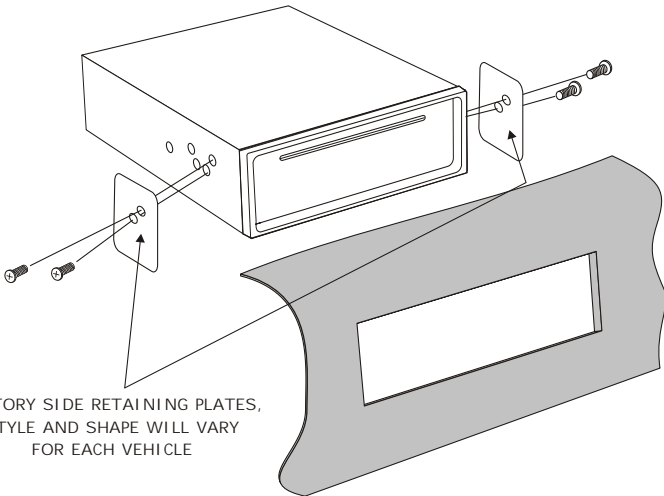


Once the CD/MP3 player is secured, fit the trim ring over outside edge of the radio until it snaps into place. Insert the face plate with the right side first. Angle in the right side slightly then gently push the left side of face plate until it snaps completely in place.

ISO/DIN MOUNTING

If you own a Japanese vehicle, you can use the mounting screw holes on the side of the CD/MP3 player to attach to the factory mounting brackets.

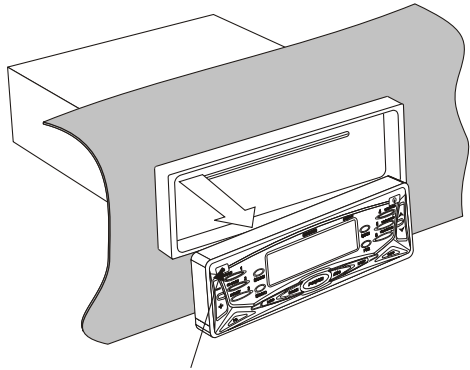
- Detach the removable face of the MP6600 by depressing the release button
- Remove the outside trim ring by gently pulling at both outer edges (See page 10).
- Remove the side retaining plates by unscrewing the two phillips screws.
- Remove the brackets from the factory radio, paying close attention to their position.
- Attach the brackets to the MP6600 in the same position as the factory radio.
- After attaching the wiring harness to the factory wiring loom (See Electrical and Signal Connections) and plugging the antenna lead, place the CD/MP3 player in the dash aligning the mounting hole of the CD/MP3 player with the factory mounting brackets. Secure the radio to the brackets using factory mounting screws.



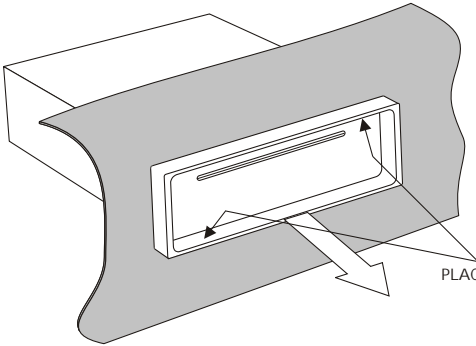
Once the CD/MP3 player is secured, insert the face plate with the right side of the face plate angled in first then gently push the left side of face plate until it snaps completely in place.

REMOVING THE CD PLAYER

In order to remove the CD/MP3 player you will first need to release and detach the front panel.

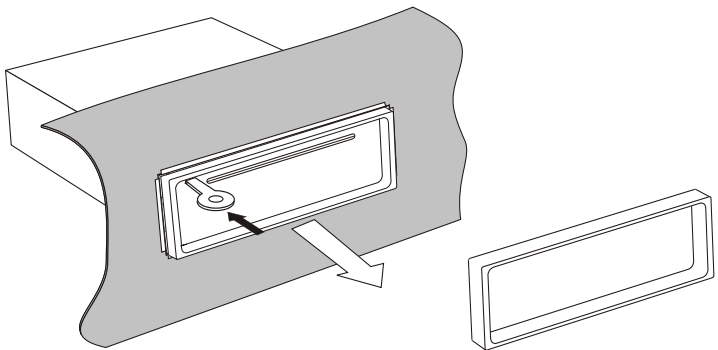


PUSH RELEASE BUTTON
TO DETACH THE FRONT PANEL



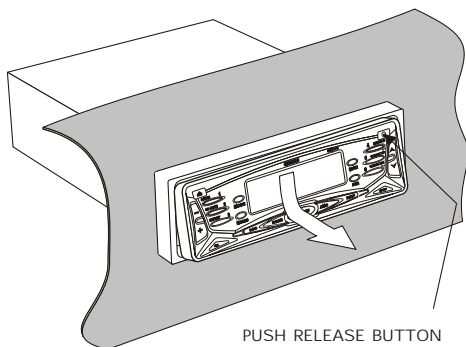
Remove the CD/MP3 player's trim ring by applying pressure with your finger tips, then gently pull out away from the dash.

PLACE FINGER TIPS HERE

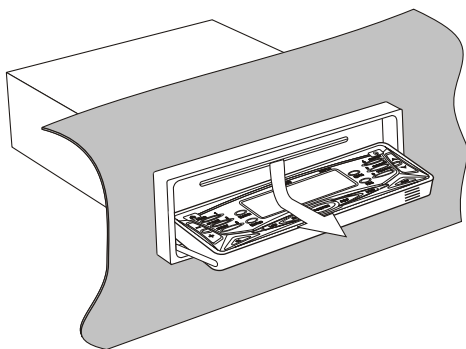


Insert the provided removal key into the opening on the top left side of the CD/MP3 player. Push the key inward until they snap into place. Firmly grab the key and slowly pull the CD/MP3 player out away from the dash.

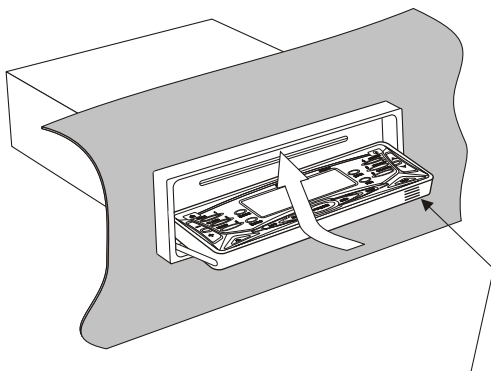
OPERATING THE SLIDE DOWN FACE



PUSH RELEASE BUTTON
TO SLIDE DOWN THE FRONT PANEL.

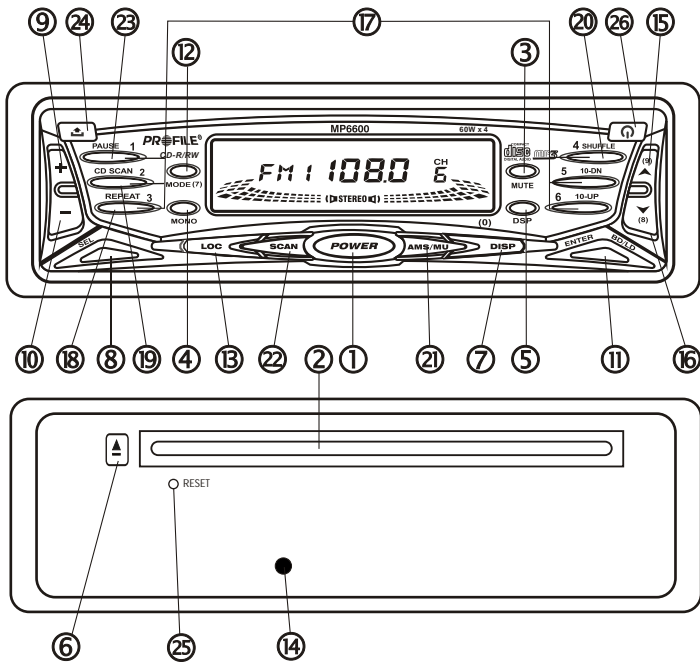


THE FRONT PANEL WILL SLIDE
DOWN AUTOMATICALLY.



TO CLOSE PANEL, PUSH IN AND UP
ON THE LOWER RIGHT EDGE

LOCATION AND FUNCTION OF CONTROLS

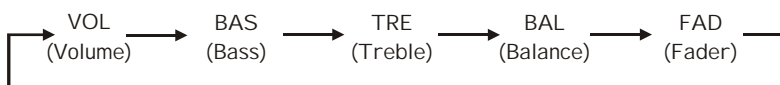


- ① **POWER** - Press the power button once to turn the CD/MP3 player on. Press the power button again to turn the CD Player off.
- ② **DISC PLAY** - Gently insert the compact disc with the label side facing up into the slot. The disc will automatically be loaded into the unit and start playing the first track of the disc. The digital display will indicate the track number.
- ③ **MUTE** - Press the "MUTE" button to silence the CD/MP3 player. Press a second time to resume listening.
- ④ **MONO/STEREO** - Press the "MONO" button to select monaural (Mono) or stereo mode for the radio's reception. The Mono mode can be used to help reception of distant radio stations.
- ⑤ **DSP** - The CD Player is equipped with four preset equalization modes. As you press the "DSP" button, it displays the following presets in the following order allowing you to make your selection. In DSP OFF mode, the EQ is controlled by Bass and Treble settings.

→ FLAT → CLASSIC → POP → ROCK → DSP OFF →
- ⑥ **EJECT** - To remove a CD once inserted, press the eject button ▲ to stop the CD play and eject the CD from slot. Once ejected, the receiver switches to radio operation.

⑦ **DISPLAY / CLOCK ADJUSTMENT**- Press this button , the LCD will display the clock for about 2 seconds, then return to the previous display mode. For clock adjustment, press and hold the “DISP” button until the display flashes. Press the tuning up button ⑮ to adjust the hours. Press the tuning down button ⑯ to adjust the minutes.

⑧ **FUNCTION SELECT** - Like the DSP button, the “SEL” button allows you to display different functions. Press the “SEL” repeatedly to move the display through Volume, Treble, Balance and Fader functions. Use+ ⑨ and – ⑩ buttons to adjust the selected mode. When the mode has not been adjusted for several seconds, display and mode returns to normal radio or CD operation.



VOLUME - Press the “SEL” button once. Adjust the volume level using the + ⑨ and – ⑩ buttons.

BASS - Press the “SEL” button two times. Adjust the bass level using the + ⑨ and – ⑩ buttons.

TREBLE - Press the “SEL” button three times. Adjust the treble level using the + ⑨ and – ⑩ buttons.

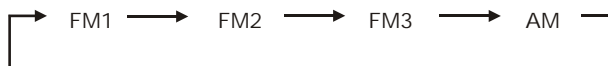
BALANCE - Press the “SEL” button four times. Adjust the sound balance between left and right speakers using the + ⑨ and – ⑩ buttons.

FADER - Press the “SEL” button five times. Adjust the sound balance between front and rear speakers using the + ⑨ and – ⑩ buttons.

⑨ **VOLUME UP** - Press + button to increase the system's volume.

⑩ **VOLUME DOWN** - Press – button to decrease the system's volume.

⑪ **BAND/LOUDNESS**- Press the “BD/LD” button momentarily to change between three FM bands and one AM band.



To activate the loudness press and hold the “BD/LD” button for two seconds. To deactivate the loudness, press and hold the “BD/LD” button again for two seconds.

⑫ **MODE** - Press the “MODE” button to change between the radio tuner and CD/MP3 player.

⑬ **LOCAL / DX** - This button is used to control the sensitivity of the tuner while searching for a station. When the radio is powered on, the local mode is off by default. Press the “LOC” button to turn on the local mode only to receive the strongest stations.

⑭ **SECURITY LED** - The radio is equipped with a flashing security L.E.D. located under the radio's face plate . Designed as a theft deterrent, the L.E.D. will flash when the unit is turned off with the face plate removed.

- ⑮ ⑯ TUNING CONTROLS - Use the up ▲ ⑮ and down ▼ ⑯ buttons to make the following adjustments

SELECT STATIONS - Press and immediately release a tune button ▲ ⑮ or ▼ ⑯ to move a radio frequency number down or up one step. Press and hold a tune button ▲ ⑮ or ▼ ⑯ for several seconds to seek to the next clear station.

SKIP TRACKS - Press a tune button ▲ ⑮ or ▼ ⑯ to move to the previous or the next track on the CD. The Track number will show on the display.

FAST FORWARD AND FAST REVERSE - Press and hold button ▲ ⑮ or ▼ ⑯ to fast forward or fast reverse through a song on the CD. The CD play starts when you release the tune button.

- ⑰ PRESET STATIONS - There are six number buttons to store and recall stations for each band.

STORING A STATION - Select a band (if needed) as explained in ⑩ . Select a radio station you wish to store. Select a preset numbered button, press and hold the preset button for a few seconds till you hear a beep indicating the station has been stored.

RECALL A STATION - Select a band (if needed) as explained in ⑩ . Select a preset numbered button.

- ⑱ REPEAT - Press the "REPEAT" button to continuously play the current song. Press a second time to stop the repeat feature.

- ⑲ CD SCAN - Press the "CD SCAN" button to play several seconds of each track of the current disc. Press a second time to stop intro and listen to the track.

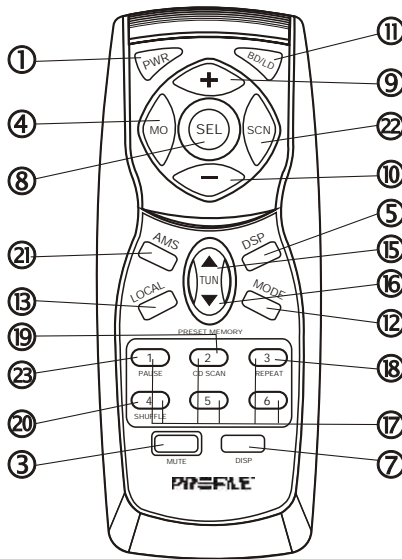
- ⑳ SHUFFLE - Press the "SHUFFLE" button to play all tracks of the current disc in random sequence. Press a second time to stop random play.

- ㉑ AUTOMATIC STORING AND PROGRAM SCANNING

AUTOMATIC STORING - Press and hold the "AMS/MU" button for several seconds to activate the automatic storing function. Once activated, the radio starts searching for the next frequency in the local mode and stores the clear radio stations into the preset memory. If after searching in the local mode the radio does not find six clear stations, then it will repeat the search in the distance mode. After completion, the radio will change back to the preset mode.

PRESET SCANNING - Press the "AMS/MU" button shortly to activate the preset scanning function. During the scanning, it will stop at every stored station for several seconds and the number of the channel being scanned flashes on the display. Press the "AMS" Button a second time to stop scanning.

- ②② SCAN - Press the "SCAN" to search for radio stations.
- ②③ PAUSE - Press the "PAUSE" button to stop CD play. Press again to resume normal play.
- ②④ FACE PLATE RELEASE - Press the ▲ release button to remove the face plate.
- ②⑤ RESET BUTTON - The reset button is located under the face plate and can be activated by using a ballpoint pen or small metal object. The reset button should be pressed for the following reasons: The installation is complete, All the function Buttons do not operate or Error symbol is on the display. Please refer to the "Trouble Shooting" section of this manual for error codes.
- ②⑥ FACE PLATE FOLD DOWN - Press the Ⓢ release button to slide down face for disc access.



THE MP3 FUNCTIONS

LOADING THE MP3 DISC

Load the Disc as usual, once loaded the MP3 disc will show "MP3 T01" on the display then the message "reading". Once the disc is loaded the first track will play.

The basic operation of the MP3 is the same as the CD operations as explained in the "Location and function of controls" section of this manual. These functions include track up/down, shuffle, cd scan and repeat. Listed below are additional operations specific for MP3's including direct track access, directory & track search by name or directory selection.

NAVIGATING THROUGH YOUR MP3 DISC

As you already may know MP3 tracks are computer files that have been burned to the compact disc. Before making your MP3 discs, the MP3 tracks can be organized on the disc under directories. For example, you can have a directory named "Hard Rock" with all Hard Rock tracks under that directory. This makes it easier to find your favorite tracks by type or artist.

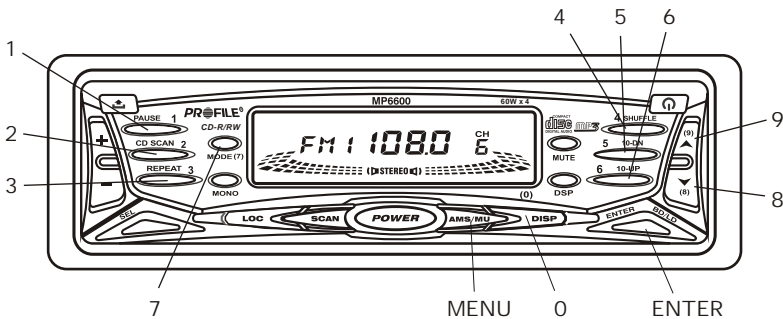
The MP6600 allows three different ways to directly access the tracks:

DIRECT TRACK ACCESS

BY TRACK NUMBER - Under MP3 play mode, press the "AMS/MU" (menu) button once, the display will show "MP3 T* ". Enter the number of the desired track, Then press the "ENTER" key to confirm. Refer to the illustration below for entering track number digit from 0 to 9.

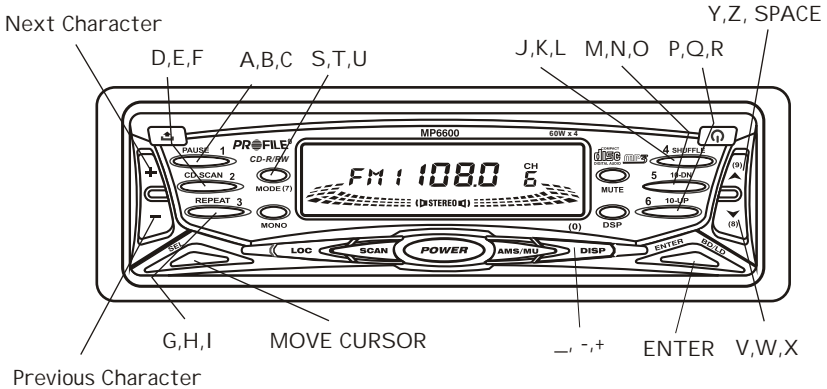
TRACK BY TRACK - Use the (9) Track Up / (8) Down button (# 9 & 8 below) to skip to the next track number.

SKIPPING 10 TRACKS - Use the 10-UP / 10-DN button (# 6 & 5 below) to skip through your disc ten (10) tracks at a time.



DI RECTORY OR TRACK NAME ACCESS.

Under MP3 play mode, press the “AMS/MU” (menu) twice and the display will show “*”. Enter the name of directory or track . After entering name of directory or track, press the “ENTER” key to confirm. The illustration below shows the distribution of alphabetical characters using the head units function buttons.





If partial Directory or Track names are entered, then all Directory or Tracks with matched characters are displayed, use the Track Up/Down button (# 9 & 8 listed on previous page) to skip to go through the matching list. Once found, press the “Enter” button to confirm your selection. If a Directory name is selected, the display will show “\”, once displayed, use the Track Up/Down button (# 9 & 8 listed on previous page) to go through the tracks under that directory.

DI RECTORY ACCESS FIRST.

Under MP3 play mode, press the “AMS/MU” (menu) three times, the display will show the CD Volume Label, then the first directory is shown. Use the Track Up/Down button (# 9 & 8 listed on previous page) to navigate through the directories, then press “ENTER” to select the desired directory. The display will then show “\”. Once displayed, use the Track Up/Down button (# 9 & 8 listed on previous page) to go through the tracks under that directory. Once your selection is found, press the “ENTER” button to confirm your selection.

TROUBLE SHOOTING THE SYSTEM

The following chart will help in solving most problems that may occur. Should any problem persist after you have made these checks, please consult your nearest Profile retailer. Before going through this check list, refer back to the wiring and operating procedures.

ERROR CODES		
E1, E2	The unit cannot be operated because of trouble. Press the "RESET" button  . If the indicator still appears after pressing the "RESET" button, your unit needs repair. E1 = Mechanism Error, E2 = Servo Error. Please refer to the warranty section of this manual for details on getting the unit serviced.	
SYMPTOM	CAUSE	SOLUTION
No Power	The vehicle's ignition switch is not on.	Turn the ignition switch to the accessory position. If there is still no power, check the fuses at the vehicle's fuse block or the radio's fuse leads.
	The fuse is blown.	Replace the fuse with another fuse of the same recommended value
Disc cannot be loaded or ejected.	There is a disc already in the player.	Remove the disc in the player, then put in the new one.
	You are trying to put the compact disc in upside down.	Insert the compact disc with the label facing up.
	The compact disc is extremely dirty or defective.	Clean the compact disc with a compact disc cleaning solution or replace the defective compact disc.
	The temperature in the car is too hot.	Cool the inside of the vehicle off, then try again.
	Condensation build-up on the inside of the unit.	Leave the disc player off and turn the vehicle's air conditioner on to remove the condensation build-up inside the unit.
No sound.	The volume control is all the way down.	Adjust the volume control.
	The speaker harness is not connected properly.	Check the speaker harness plug to see that it is firmly connected.
	The speakers are bad.	Test the speakers to determine if they need replacing.
The function buttons do not work.	The built-in microprocessor is operating incorrectly. Remove the disc, then re-insert it. Press the reset button  .	

SYMPTOM	CAUSE	SOLUTION
The compact disc skips.	The installation angle is greater than 30 degrees	Adjust the angle of the unit to less than 30 degrees
	The disc player is installed incorrectly	Check to see if the unit is fastened securely with the back brace supporting the rear of the unit.
	The compact disc is extremely dirty or defective	Clean the compact disc with a compact disc cleaning solution or replace the defective compact disc.
	Condensation build-up on the inside of the unit.	Leave the disc player off and turn the vehicle's air conditioner on to remove the condensation build-up inside the unit.
The radio does not work. The Radio station automatic selection does not work.	The antenna is not connected or the antenna is bad.	Check the antenna and connection to insure proper performance.
	The signals in your listening area are weak.	Select stations manually and make sure the tuner is in the distant stereo mode.

SPECIFICATIONS

GENERAL

Power Supply Requirements	DC 12 Volts, Negative Ground
Chassis Dimensions (mm)	178(W) x 162 (D) x 50 (H)
Tone Controls	
Bass @ 100Hz	+10dB / -10 dB
Treble @ 10Khz	+10dB / -10 dB
Equalizer	4 Presets
Maximum Output Power	60W x 4
RMS Output Power	30W x 4
Maximum Current Consumption	1.5 Ampere
Fuses	
Memory (Constant)	15 Ampere
Accessory (Switched)	1 Ampere

CD PLAYER

Signal to Noise Ratio	>85dB
Channel Separation	>80dB
Frequency Response	5Hz ~ 20Khz

RADIO

FM

Frequency Coverage	87.5 to 107.9MHz
I F	
10.7MHz	
Station Presets	18

AM

Frequency Coverage	530 to 1710KHz
I F	450KHz
Station Presets	6

MP3 SPECIFICATIONS

Maximum Length of File Name	28 Characters
Maximum Length of Directory	16 Characters
Maximum Number of Tracks Per Disc	254
Maximum Number of Directories Per Disc	128
Sampling Frequencies Support	32Khz, 44Khz, 48Khz
Bit Rates Support	64 ~ 320Khz including VBR
Disc Written by packet write (UDF)	Not Supported
Discs Supported	CD, CD-R and CD-RW

Due to continuing product improvement, specifications subject to change without notice.

PROFILE® LIMITED WARRANTY

Profile Consumer Electronics, Inc. warrants this product to be free from defects in material and workmanship for a period of One (1) Year from the date of sale to the original consumer purchaser. If this product is proven to be defective within this one year period, Profile will repair it when said product is returned, with a copy of the dated sales receipt, freight prepaid to Profile.

This warranty is valid only in the United States. This warranty does not cover any expense incurred in the removal and/or re-installation of this product. This warranty does not cover any Profile product damaged by accident, misuse, abuse, improper line voltage, fire, water, lightning, or other acts of God. This warranty is void if any parts and/or service is/are furnished by anyone other than Profile. This warranty is void if the factory applied serial number is altered or removed from the product.

This warranty does not cover cartons, cases, batteries, broken or marred cabinets, magnetic tapes, or any other accessories used in connection with this product or consequential damages due to a defect in the product.

Any implied warranties, including fitness for use and merchantability, are limited in duration to the period of the express warranty set forth above. No person is authorized to assume for Profile any other liability in connection with the sale of the product. Profile expressly disclaims liability for incidental and consequential damages that might be caused by this product. The remedies provided under this warranty are exclusive and lieu of all others.

This warranty gives you specific legal rights. You may have other rights which vary from state to state or province to province. Some states or provinces do not allow limitation on how long warranties last, so the above may not apply to you. Additionally, some states/provinces do not allow the exclusion to limitation of consequential or incidental damages, so the above limitation or exclusion may not apply to you.

* In the space below, record the serial number that is located on the back of the unit along with the purchase date and location.

Model Number _____ Serial Number _____

Purchase Date _____ Where Purchased _____

RETAIN YOUR SALES RECEIPT ALONG WITH THIS CARD. IT IS YOUR ONLY VALID DOCUMENT TO RECEIVE WARRANTY SERVICE.

PROFILE® WARRANTY REPAIR POLICY

In the unlikely event of product failure, the following procedures should be followed

- 1) The unit must be under the 1-year warranty period.
- 2) The unit must have no physical damage.
- 3) A copy of the original proof of purchase must be sent with the unit.
- 4) Include a brief description of the problem or failure with the unit.
- 5) Include the return street address and daytime telephone number.
- 6) Allow 2-3 weeks for repair (this period includes shipping time).

Send unit to : PROFILE CONSUMER ELECTRONICS, INC.
 15060 SHOEMAKER AVE
 SANTA FE SPRINGS, CA 90670
 TEL: (562)404-9393

Note: All units failing to meet the above requirements will be subject to a charge and or may not be repaired.



PROFILE CONSUMER ELECTRONICS, INC.
15060 SHOEMAKER AVE
SANTA FE SPRINGS, CA 90670
TEL: (562)404-9393 • FAX: (562)404-9433
WWW.PROFILEUSA.COM