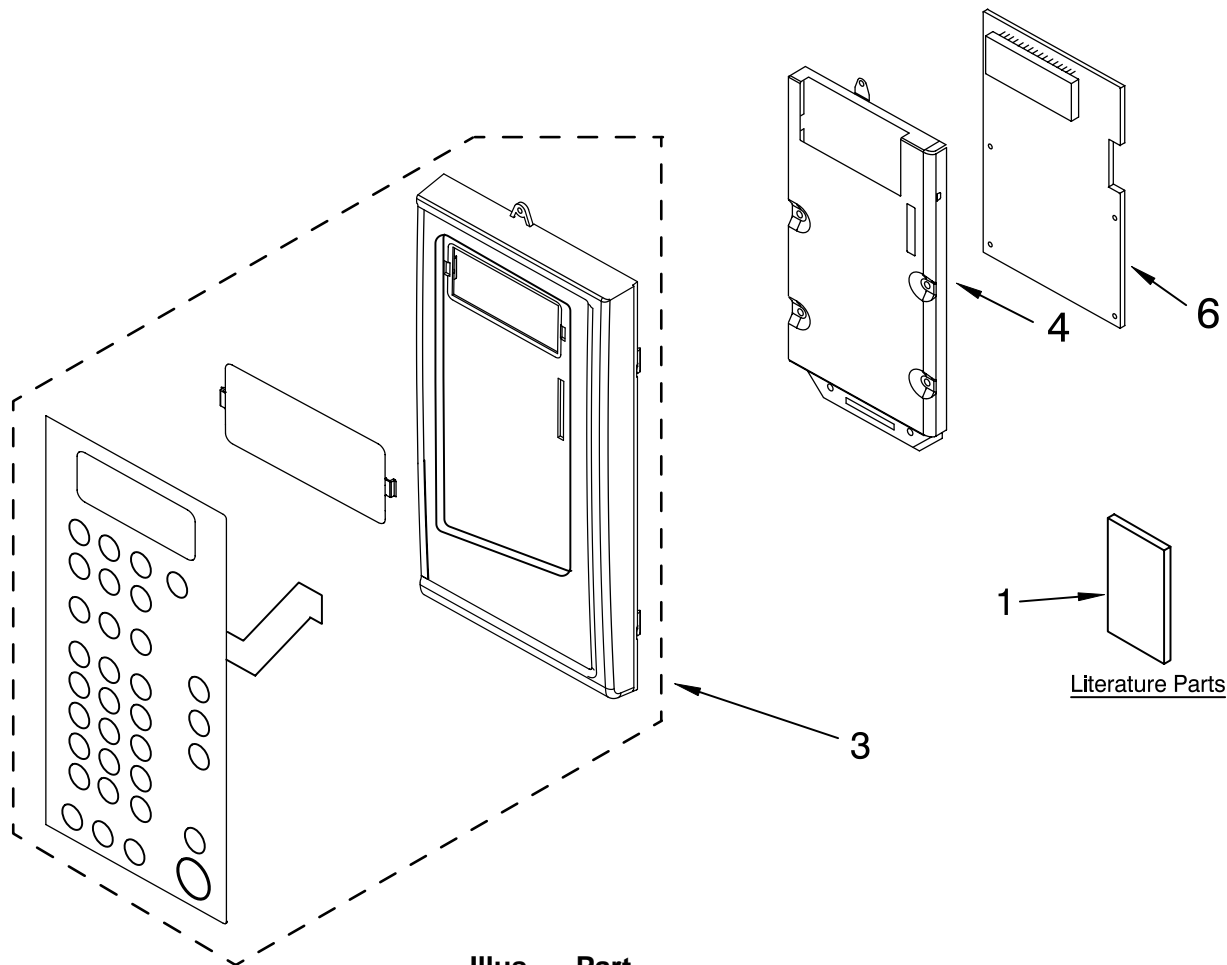




CONTROL PANEL PARTS

For Models: GH5184XPQ2, GH5184XPB2, GH5184XPT2, GH5184XPS2
 (WHITE) (BLACK) (BISCUIT) (STAINLESS)

Microwave Oven
 1.8 Cu. Ft.

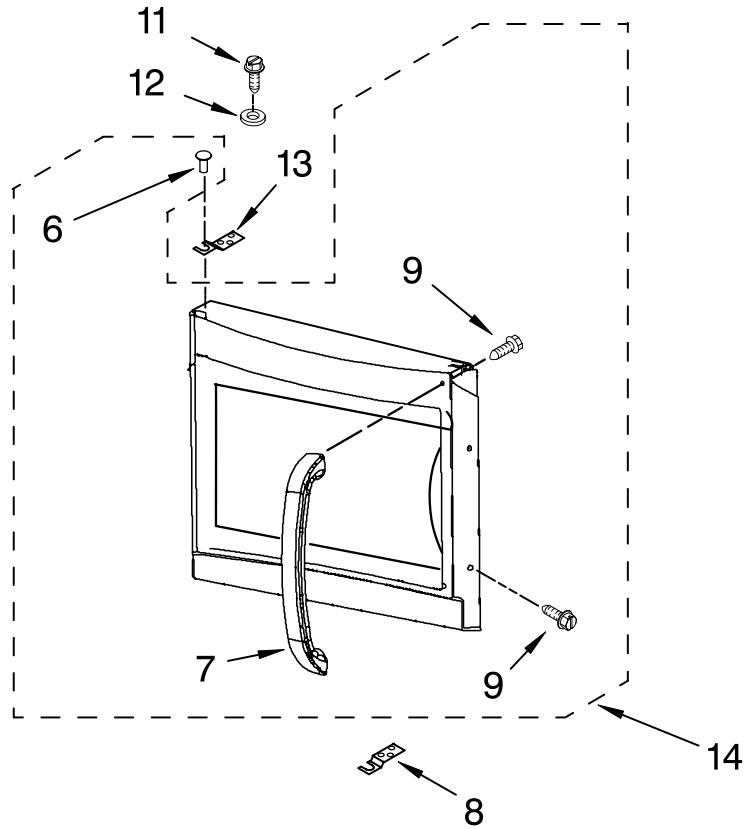


Illus. No.	Part No.	DESCRIPTION
1		Literature
	8204922	U & C Guide
	8205574	Tech Sheet
	8205139	Instructn, Install
	8204933	Cook Guide Label
3		Panel Asy, Control
		Includes Lens and Membrane Switch
	8205417	White
	8205419	Black
	8205418	Biscuit
	8205420	Stainless
4	8205378	Bracket, Control
6	8205421	Microcomputer

FOR ORDERING INFORMATION REFER TO PARTS PRICE LIST

DOOR PARTS

For Models: GH5184XPQ2, GH5184XPB2, GH5184XPT2, GH5184XPS2
 (WHITE) (BLACK) (BISCUIT) (STAINLESS)

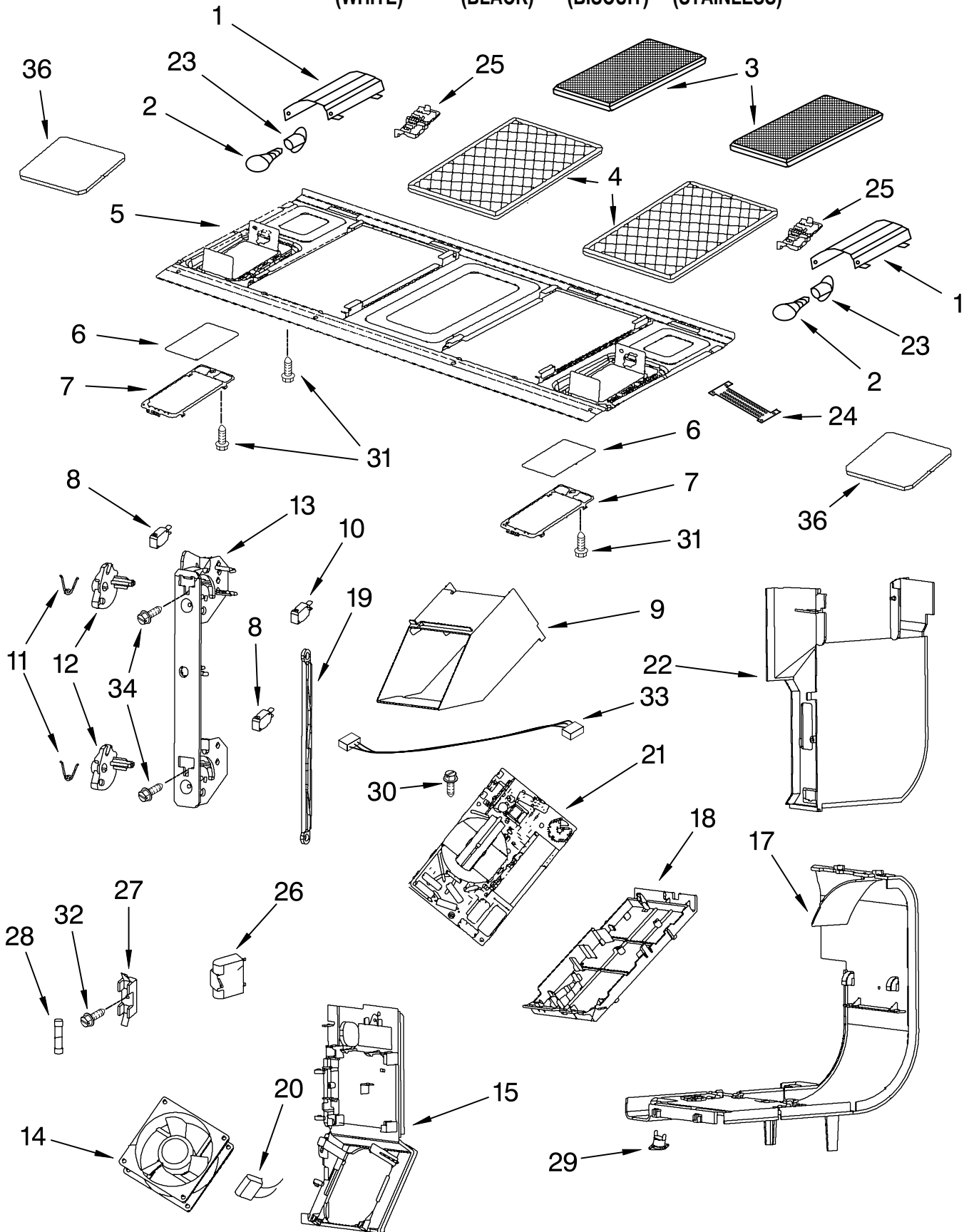


Illus. No.	Part No.	DESCRIPTION
6	8184922	Pivot, Door
7		Handle, Door
	8205224	White
	8205227	Stainless
	8205226	Black
	8205225	Biscuit
8	8204678	Lower Hinge
9	8169479	Screw
11	8204690	Screw
12	8204691	Washer
13	8204679	Upper Hinge
14		Complete Door
	8205413	White
	8205416	Stainless
	8205415	Biscuit
	8205414	Black

FOR ORDERING INFORMATION REFER TO PARTS PRICE LIST

INTERIOR AND VENTILATION PARTS

For Models: GH5184XPQ2, GH5184XPB2, GH5184XPT2, GH5184XPS2
(WHITE) (BLACK) (BISCUIT) (STAINLESS)



FOR ORDERING INFORMATION REFER TO PARTS PRICE LIST

INTERIOR AND VENTILATION PARTS

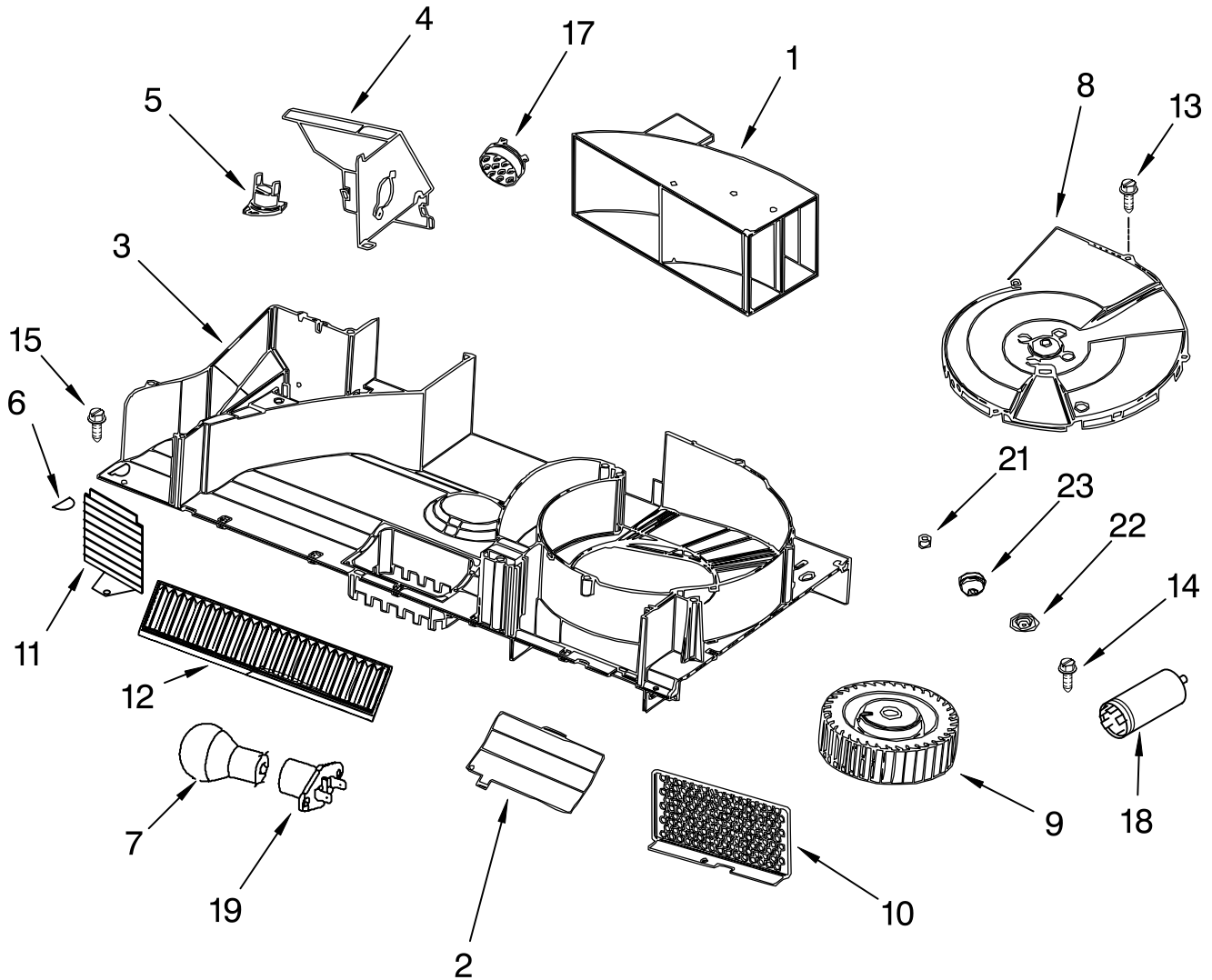
For Models: GH5184XPQ2, GH5184XPB2, GH5184XPT2, GH5184XPS2
(WHITE) (BLACK) (BISCUIT) (STAINLESS)

<u>Illus. No.</u>	<u>Part No.</u>	<u>DESCRIPTION</u>
1	8205096	Reflector, Lamp
2	8183993	Lamp
3	8184002	Filter, Charcoal
4	8184003	Filter, Grease
5	8205412	Plate, Bottom
6	8184141	Glass, Lamp
7	8184889	Holder, Glass
8	4393599	Switch, Micro Primary/Secondary
9	8184124	Cover, Inverter
10	4393697	Switch, Micro
11	8169438	Spring, Interlock
12	8205211	Plate, Cam
13	8185189	Support, Interlock
14	8184875	Fan, DC 12 Volt
15	8184894	Housing, Fan
17	8185032	Bracket, Holder
18	8184670	Holder, Inverter
19	8185190	Rod-Locking Link
20	8184093	Capacitor, 125 V
21	8205093	Inverter 1100 W
22	8185031	Plate, Side
23	8184926	Holder, Lamp
24	8184887	Cable
25	8184202	Cover, Terminal
26	8184204	Capacitor
27	8184312	Holder, Fuse
28	4393308	Fuse
29	8183998	Thermostat
30	8184199	Screw
31	4393835	Screw
32	8184200	Screw
33	8205014	Ribbon Cable (P2 to CN701 on 1100 W Inverter)
34	8169477	Screw
36	8184203	Foil, Lamp

FOR ORDERING INFORMATION REFER TO PARTS PRICE LIST

AIR FLOW PARTS

For Models: GH5184XPQ2, GH5184XPB2, GH5184XPT2, GH5184XPS2
(WHITE) (BLACK) (BISCUIT) (STAINLESS)



Illus. No.	Part No.	DESCRIPTION
1	8184667	Deflector, Air
2	8184925	Cover, Lamp
3	8185350	Duct, Air
4	8204789	Bracket, Thermostat
5	8183999	Thermostat
6	8204676	Cover
7	8183993	Lamp

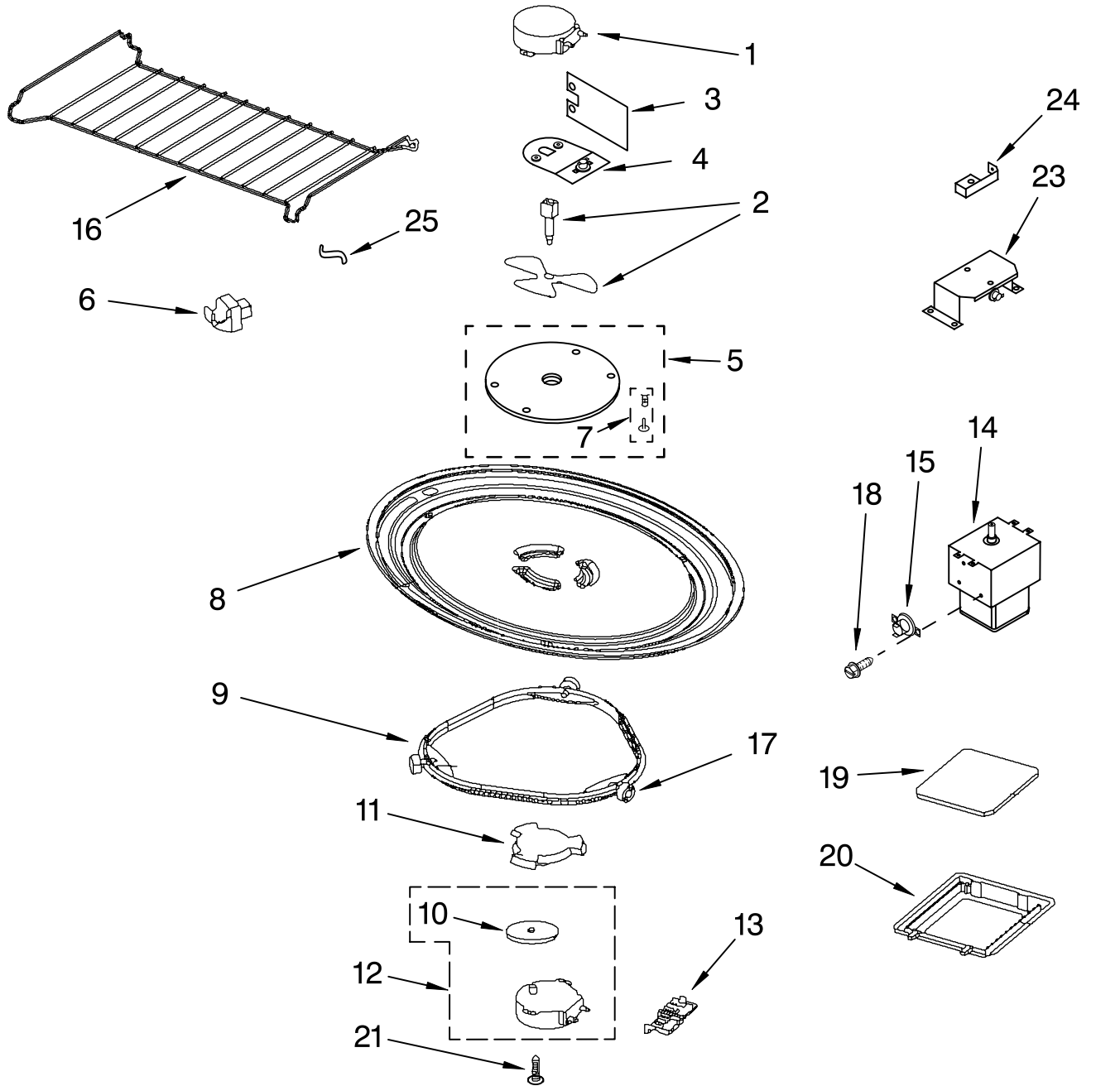
Illus. No.	Part No.	DESCRIPTION
8	8184884	Cover, Fan
9	8184876	Motor, Fan Assy
10	8204754	Shield
11	8204790	Shield
12	8190268	Filter, Fan Hood
13	4393834	Screw
14	8184198	Screw

Illus. No.	Part No.	DESCRIPTION
15	8169474	Screw
17	4393808	Humidity, Sensor
18	8205853	Filter
19	8184926	Holder, Lamp
21	8184129	Spacer-Copper Pipe
22	8204674	Plate, Damper
23	8169635	Cushion, Mtr

FOR ORDERING INFORMATION REFER TO PARTS PRICE LIST

MAGNETRON AND TURNTABLE PARTS

For Models: GH5184XPQ2, GH5184XPB2, GH5184XPT2, GH5184XPS2
(WHITE) (BLACK) (BISCUIT) (STAINLESS)

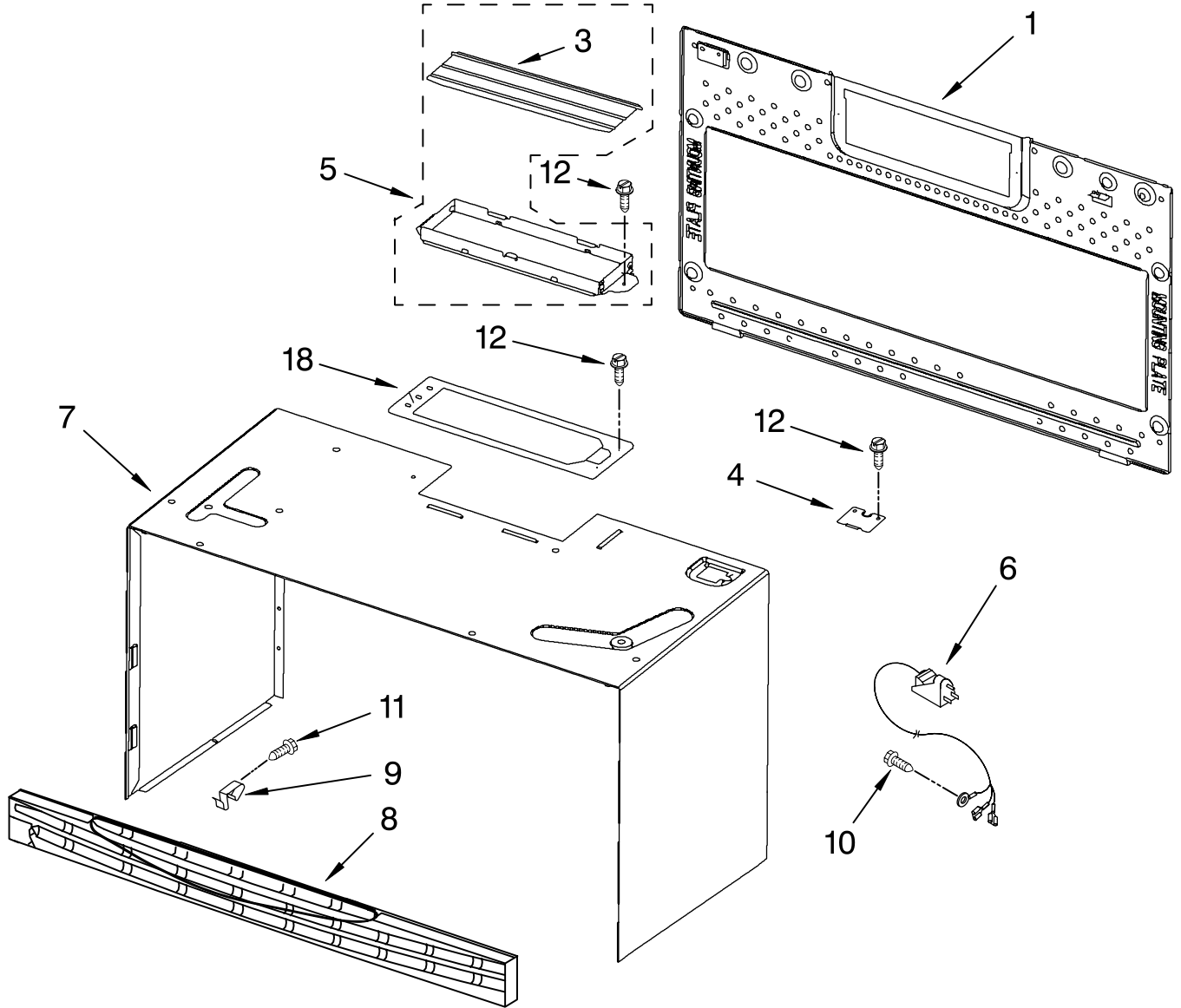


Illus. No.	Part No.	DESCRIPTION	Illus. No.	Part No.	DESCRIPTION	Illus. No.	Part No.	DESCRIPTION
1	8205044	Motor, Stirrer	7	8184549	Nails/Bushings (5 of each)	16	8184052	Rack
2	8205202	Stirrer Shaft/Blade	8	4393799	Turntable	17	4393861	Wheel (3)
3	8184485	Shield, Nomex	9	8184102	Ring, Turntable	18	4393838	Screw
4	8184585	Thermostat/Bracket	10	8184109	Spacer, Waterproof	19	8169499	Glass, Lamp
5	8184604	Cover, Inlet Includes Nails and Bushings	11	8183949	Driver, Turntable	20	8169646	Frame, Glass
6	8204662	Hook, Rack (4)	12	8183953	Motor, Turntable	21	4393832	Screw
			13	4393756	Cover, Terminal	23	8184586	Thermostat/Bracket
			14	8184139	Magnetron	24	8184669	Bracket, Plug
			15	8183994	Thermostat	25	8205039	Spacer (4)

FOR ORDERING INFORMATION REFER TO PARTS PRICE LIST

CABINET AND INSTALLATION PARTS

For Models: GH5184XPQ2, GH5184XPB2, GH5184XPT2, GH5184XPS2
 (WHITE) (BLACK) (BISCUIT) (STAINLESS)



Illus. No.	Part No.	DESCRIPTION
1	8206172	Plate, Mounting
3	4393713	Door, Damper
4	8184897	Lid, Power Cord
5	8183858	Frame, Damper
6	8184898	Cord, Power
7		Case, Outer
	8205207	White
	8205212	Black
	8205213	Biscuit

Illus. No.	Part No.	DESCRIPTION
8		Grille, Vent
	8205214	White
	8205215	Black
	8205216	Biscuit
	8205217	Stainless
9	8184190	Clip, Grille
10	4393836	Screw
11	8169475	Screw
12	4393472	Screw
18	8169697	Plate, Damper

Illus. No.	Part No.	DESCRIPTION
Miscellaneous		
	8205947	Installation, Hardware
	8184781	Template, Upper
	8169704	Screw, Top Mountng

FOR ORDERING INFORMATION REFER TO PARTS PRICE LIST