

Congratulations on your purchase of a high-quality Insignia product. Your NS-CLIP01 represents the state of the art in clock radios with an iPod/iPhone dock and is designed for reliable and trouble-free performance.

### Package contents

- Clock radio with iPod/iPhone dock
- AC power adapter
- AAA batteries (2)
- *Quick Setup Guide*

**Works with all docking iPods and iPhones.**

### Installing the batteries

- 1 Open the battery compartment on the bottom of your radio.
- 2 Place two AAA size batteries in the battery compartment.  
Make sure to match the + and - on the battery to the + and - signs in the battery compartment.
- 3 Close the battery compartment until it clicks into place.

### Connecting the AC adapter

- 1 Plug the small connector at the end of the power cord into the DC IN 5.9V jack on the back of your radio.
- 2 Plug the AC adapter into a 100-240V, 50/60Hz power outlet.

The clock radio enters standby mode and the time appears on the display.

### Turning the radio on and off

- 1 In standby mode, press and hold **POWER/SOURCE** to turn on the clock radio. The Source name appears in the upper left-hand corner of the display.
- 2 When you turn on the clock radio for the first time, iPod mode activates by default.  
For normal use, the system activates the last source used before you powered it off.
- 3 Press and hold **POWER/SOURCE** again to switch to standby mode. The Source name is no longer displayed.

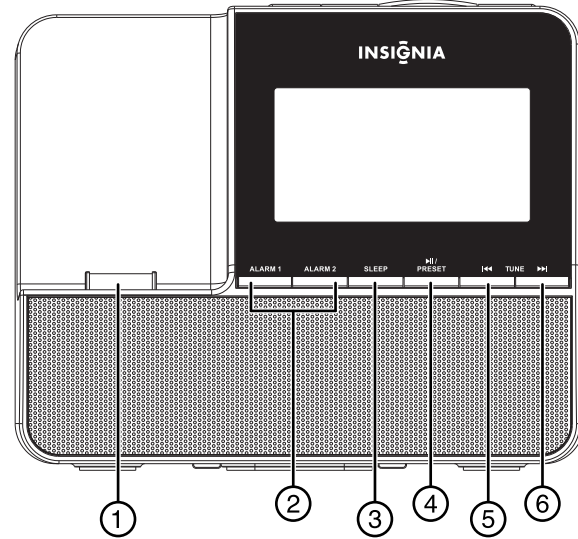
### Volume control

- After you select the mode you want, press **Volume +** or **Volume -** to set the volume to a comfortable level.

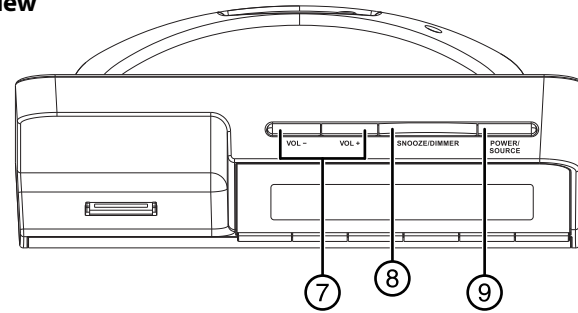
**Note:** When the volume is turned to minimum (00), the system enters **MUTE** mode.

### Features

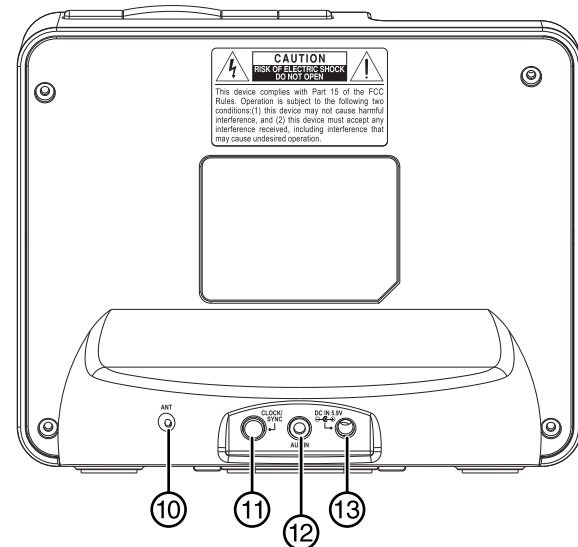
#### Front view



#### Top view




#### Back view



#	Component	Description
1	Dock	Insert your iPod/iPhone into this dock to play selections through your clock radio. The clock radio charges the iPhone/iPod when docked. Use the adapter that came with your iPod/iPhone, if needed.
2	Alarm 1/Alarm 2	Press to set the alarm. See <i>Setting the alarm</i> on the right.
3	Sleep	Press to turn on the Sleep timer (15, 30, 45, 60, 75, 90). To turn off, press until "00" appears on the display.
4	▶/Preset	<ul style="list-style-type: none"> <li>• In iPod mode, press to begin playback. Press again to pause playback. Press again to resume playback. Press and hold to turn off your iPod/iPhone screen.</li> <li>• In FM mode, press to select a preset station. Continue pressing to cycle through the available preset stations. You can store up to 10 preset stations.</li> </ul>
5	Tune ◀	<ul style="list-style-type: none"> <li>• In iPod mode, press to go to the previous track, or press and hold to use fast back.</li> <li>• In FM mode, press to go to the next lower radio frequency, or press more than one second and release to search for a lower radio station.</li> </ul>
6	Tune ▶	<ul style="list-style-type: none"> <li>• In iPod mode, press to go to the next track, or press and hold to use fast forward.</li> <li>• In FM mode, press to go to the next higher radio frequency, or press more than one second and release to search for a higher radio station.</li> </ul>
7	VOL+/VOL-	Press to increase or decrease the clock radio volume.
8	SNOOZE/DIMMER	<p>Press while the alarm is sounding to turn the alarm off for 10 minutes. You can do this as many times as you want.</p> <p>To turn the alarm off until the next day, press any other button.</p> <p>To turn the alarm off, press the Alarm button until there is no source displayed next to the alarm icon on the display.</p> <p>When the alarm is not sounding, press to cycle through the display brightness levels (high&gt;middle&gt;low).</p> <p><b>Note:</b> When the clock radio is turned on, the LCD backlight defaults to High.</p>
9	Power/Source	Press and hold to turn on your clock radio. Press and hold to turn off your clock radio. When your clock radio is on, press to cycle through the sound sources ( <b>iPod, RADIO, AUX</b> ).
10	ANT	Extend the antenna to improve reception.
11	CLOCK/SYNC	Press to set the time or sync the time with an iPhone. See <i>Using the Time Sync function</i> on the right.
12	AUX IN jack	Plug the connector from an external sound source, such as an MP3 player, into this jack.
13	DC IN 5.9V jack	Plug the small connector from the AC adapter into this jack.

### Important notes

- The two AAA batteries are only for the clock memory. When battery power is low, or if they are installed incorrectly, the  logo shows on the display. Change or reinstall the batteries.
- Please remove the batteries if your clock radio is not used for a long time.

### Precautions when using batteries

- Use only the size and type of batteries specified.
- Do not mix different types of batteries together (e.g., alkaline, rechargeable, and standard (carbon zinc), or old batteries with fresh ones.
- Exhausted batteries must be removed to prevent any battery leakage.
- Dispose of batteries properly according to environmental regulations.
- Battery (battery pack or battery installed) shall not be exposed to excessive heat, such as sunshine, fire, or the like.

### Setting the time

- 1 Press and hold **Clock/Sync** for two seconds until the hour blinks on the display.
- 2 Press **Tune** ◀ or ▶ to set the hour.
- 3 Press the **Clock/Sync** button again. The minutes blink on the display.
- 4 Press **Tune** ◀ or ▶ to set the minutes.
- 5 To finish setting the clock, press the **Clock/Sync** button again, or just wait for ten seconds until the display returns to normal.

### Using the Time Sync function

- 1 Place your iPod/iPhone in the docking station.
- 2 Press the **Clock/Sync** button. The clock radio syncs the time with the iPod/iPhone automatically.

**Note:** The *Time Sync* function can be used with most of the iPod/iPhone models, except some older models such as iPod mini, iPod 3G, and iPod 4G.

### Selecting the mode (Source)

- Press **SOURCE** repeatedly to select **iPod, Radio, or AUX**. The source you select appears on the display.

### Setting the alarm

#### To set the alarm time:

- 1 Press the Alarm button to select the alarm music source (**Buzzer/Radio/iPod**) or close the alarm.  
If you select iPod, make sure your iPod/iPhone is placed in the dock. If you select Radio, the alarm will be the last radio station you listened to.
- 2 Press and hold **ALARM 1** or **ALARM 2** until the hour digits blink.
- 3 Press **Tune** ◀ or ▶ to set the hour, then press the **ALARM 1** or **ALARM 2** button. The minutes digits blink.
- 4 Press **Tune** ◀ or ▶ to set the minutes, then press **ALARM 1** or **ALARM 2** to save the setting and exit the alarm setting mode.

#### To turn the alarm off:

- 1 When the alarm is sounding, press any key (except **SNOOZE/DIMMER**) to turn off the alarm. The alarm is set for the next day.
- 2 If you do not want to set the alarm for the next day, press **ALARM 1** or **ALARM 2** repeatedly until the alarm icons disappear from the display.

#### To use the snooze:

- While the alarm is sounding, press **SNOOZE/DIMMER**. The **SNOOZE** indicator appears in the display. The alarm turns on automatically ten minutes later.

#### Notes:

- If the alarm is set to Buzzer, the alarm volume gradually increases until it reaches the maximum.
- If the alarm is set to Radio or iPod, the volume starts from Volume 1 and gradually increases to the volume level setting before the clock radio was turned off.
- The alarm sounds for 20 minutes and then shuts off automatically.
- If two alarms are set, the first alarm is stopped (set for the next day) when the second alarm time is reached.

## Using your iPod/iPhone

### Docking and charging your iPod/iPhone

- 1 Press **POWER/SOURCE** to select iPod mode. The iPod icon appears in the display.
- 2 Plug your iPod/iPhone into the dock.

**Note:** The iPod/iPhone charges automatically while it is docked with your clock radio.

### Play music on your iPod/iPhone

- 1 Dock your iPod/iPhone to the clock radio. Press **▶II / PRESET** on the clock radio or press **Play** on your iPod/iPhone.
- 2 Press **VOL+** or **VOL-** to adjust the volume to a comfortable level.
- 3 Press **TUNE ▶▶** to skip to the next track forward or press **TUNE ◀◀** to skip to the next track backward. Press and hold the **TUNE ▶▶** or **TUNE ◀◀** keys to fast forward or fast backward until you release the key.

## Using the FM radio

- 1 Fully extend the FM antenna on the back of the clock radio.
- 2 Press the **POWER/SOURCE** button repeatedly to enter radio mode. The tuner frequency appears after one second.
- 3 Adjust the antenna to get the best radio reception.

### Manual tuning:

- Press **TUNE ▶▶** or **TUNE ◀◀** briefly to tune to a higher or lower frequency.

### Auto tuning:

- Press and hold **TUNE ▶▶** or **TUNE ◀◀** for more than one second to automatically tune to a higher or lower frequency. Tuning automatically stops when it detects a station signal. During auto tuning, press **POWER/SOURCE** to exit the auto tuning mode.

**Note:** If there is no station found in one cycle, auto tuning stops at the beginning frequency.

## Setting presets

You can store up to ten preset stations.

- 1 In radio mode, press **TUNE ▶▶** or **TUNE ◀◀** to select a station.
- 2 Press and hold **▶II / PRESET** for two seconds to enter programming mode. The PRESET (**▶II**) icon appears and the memory digits flash in the display.
- 3 Press **TUNE ▶▶** or **TUNE ◀◀** repeatedly to select a desired preset number (01 to 10) to store the station.
- 4 Press **▶II / PRESET** to confirm your choice. The preset station is stored in the memory.
- 5 Repeat steps one through four to store more stations. Press any other keys to leave the programming mode.
- 6 To select a preset station, briefly press **▶II / PRESET** repeatedly until you reach the station you want.

## Playing music from an external sound source

- 1 Plug an audio cable with a 3.5 mm plug (not included) into the AUX IN jack on the back of your clock radio and into your external sound source, such as an MP3 player.
- 2 Turn on your clock radio, then press the **POWER/SOURCE** button repeatedly until *AUX* appears on the display.
- 3 Control playback from your external sound source.

## Troubleshooting

<b>Problem:</b>	<b>Solution:</b>
<b>My dock radio won't turn on.</b>	<ul style="list-style-type: none"><li>• Make sure that the power cord is fully inserted in the power outlet and firmly connected to the DC IN jack on the back.</li></ul>
<b>No sound.</b>	<ul style="list-style-type: none"><li>• Make sure that power is connected and your clock radio is turned on.</li><li>• Make sure your external device is turned on and is playing.</li><li>• Make sure the volume on your external device is turned up and is not set to mute.</li><li>• Make sure that the volume on your clock radio is not extremely low.</li></ul>
<b>My dock radio will not play in FM mode.</b>	<ul style="list-style-type: none"><li>• Repeatedly press the <b>POWER/SOURCE</b> button to select FM mode.</li><li>• Make sure that the clock radio is correctly tuned to an FM station.</li></ul>
<b>FM radio reception sounds distorted or fuzzy.</b>	<ul style="list-style-type: none"><li>• Move your clock radio closer to a window to improve reception.</li></ul>
<b>My iPod/iPhone won't play.</b>	<ul style="list-style-type: none"><li>• Make sure your iPod/iPhone is on and charged.</li><li>• Repeatedly press the <b>POWER/SOURCE</b> button to select iPod mode.</li><li>• Make sure your iPod/iPhone is not paused.</li><li>• Make sure that your iPod/iPhone is properly docked.</li><li>• Make sure that there are songs in your iPod/iPhone.</li><li>• Make sure that the hold function is not activated on your iPod/iPhone .</li><li>• Make sure that your iPod/iPhone is working properly before you dock it into your clock radio.</li><li>• Remove your iPod/iPhone from the docking compartment. Clean the connectors in the docking compartment and on your iPod/iPhone, then replace it in the docking compartment.</li><li>• Your iPod/iPhone software may be outdated. Upgrade its software. For details, visit <a href="http://www.apple.com">www.apple.com</a>.</li></ul>
<b>My external audio device (MP3 player) won't play.</b>	<ul style="list-style-type: none"><li>• You need to use the controls on your MP3 player to control playback.</li><li>• Make sure your external device is on and charged.</li><li>• Repeatedly press the <b>POWER/SOURCE</b> button to select AUX mode.</li><li>• Make sure your external device is not paused.</li><li>• Make sure the audio cable is fully inserted into the external device and the AUX IN jack on the clock radio.</li><li>• Make sure that there are songs in your external device.</li><li>• Make sure that your external device is working properly before you connected it to your clock radio.</li></ul>
<b>My iPod/iPhone won't charge when it's docked.</b>	<ul style="list-style-type: none"><li>• Make sure that your iPod/iPhone is properly docked.</li><li>• Make sure that the hold function is not activated on your iPod/iPhone.</li><li>• Make sure that your iPod/iPhone battery is not faulty.</li><li>• Make sure that the power cord is plugged in.</li></ul>

## Maintaining

- To prevent fire or shock hazard, disconnect your clock radio from the AC power source when cleaning.
- The finish on your clock radio may be cleaned with a dust cloth and cared for as other furniture. Use caution when cleaning and wiping the plastic parts.
- If the front panel becomes dirty or smudged with fingerprints it may be cleaned with a soft cloth slightly dampened with a mild soap and water solution. Never use abrasive cloths or polishes as these will damage the finish of your clock radio.

### Caution:

- Never allow water or other liquids to get inside your clock radio.
- Modifying or tampering with the internal components of your clock radio can cause a malfunction and might invalidate its warranty. If your clock radio is not performing as it should, take it to the local dealer for assistance.

## System requirements

Compatible with: iPod Nano (3G/4G/5G/6G), iPod Touch (1G/2G/3G/4G), iPod classic, iPhone (original, 3G, 3Gs, 4,4S).

## Specifications

- Number of alarms: two
- Frequency range: FM 87.5 - 107.9 MHz (200 KHz steps)
- Station preset: ten
- External connections: 3.5 mm stereo, 30 pin iPod connector
- Volume: 16 levels
- Speaker: 2 × 36 mm
- Output power: 1W × 2 RMS
- Power source: DC 5.9V 1.8A adapter
- Back-up batteries: 2 × AAA alkaline batteries
- Dimensions (W × D × H): 6.81 × 2.87 × 5.70 in.  
173 × 73 × 144 mm

## Legal notices

### FCC Part 15

This device complies with Part 15 of the FCC Rules. Operation of this product is subject to the following two conditions: (1) this device may not cause harmful interference, and (2) this device must accept any interference received, including interference that may cause undesired operation. This equipment has been tested and found to comply within the limits for a class B digital device, pursuant to Part 15 of the FCC Rules. These limits are designed to provide reasonable protection against harmful interference in a residential installation. This equipment generates, uses, and can radiate radio frequency energy and, if not installed and used in accordance with the instructions, may cause harmful interference to radio communications. However, there is no guarantee that interference will not occur in a particular installation. If this equipment does cause harmful interference to radio or television reception, which can be determined by turning the equipment off and on, the user is encouraged to try to correct the interference by one or more of the following measures:

- Increase the separation between the equipment and receiver.
- Connect the equipment into an outlet on a circuit different from that to which the receiver is connected.
- Consult the dealer or an experienced technician for help.

### FCC warning

Changes or modifications not expressly approved by the party responsible for compliance with the FCC Rules could void the user's authority to operate this equipment.

### Canada ICES-003 statement

This Class B digital apparatus complies with Canadian ICES-003.

## 90-day limited warranty

Visit [www.insigniaproducts.com](http://www.insigniaproducts.com) for details.

## Contact Insignia:

For customer service, call 1-877-467-4289  
[www.insigniaproducts.com](http://www.insigniaproducts.com)

“Made for iPod” and “made for iPhone” mean that an electronic accessory has been designated to connect specifically to iPod, iPhone respectively, and has been certified by the developer to meet Apple performance standards. Apple is not responsible for the operation of this devise or its compliance with safety and regulatory standards. Please note that the use of this accessory with iPod or iPhone may affect wireless performance. iPod, and iPhone are trademarks of Apple Inc. registered in the U.S. and other countries.

© 2012 BBY Solutions, Inc., Inc. All rights reserved. INSIGNIA is a trademark of BBY Solutions, Inc. Registered in some countries. All other products and brand names are trademarks of their respective owners.