

Industrial Ethernet Switch



The PLANET entry level Industrial Ethernet Switch is industrially hardened Ethernet switch specifically designed to operate reliably in electrically harsh and climatically demanding environments.

The switch provides a high level of immunity to electromagnetic interference and heavy electrical surges typical of environments found on plant floors or in curb side traffic control cabinets. The feature of operating temperature range of 0 to 60 Degree C coupled with hazardous location certification (Class 1 Division 2) allows the switch to be placed in almost any location.

The switch is packaged in a compact, IP-30 standard aluminum that allows either DIN or panel mounting for efficient use of cabinet space. The switch provides an integrated power supply with a wide range of voltages (12 to 48V DC) for worldwide operability or dual-redundant, reversible polarity, 24V DC and 48V DC power supply inputs for high availability applications requiring dual or backup power inputs.

KEY FEATURE

Hardware Feature

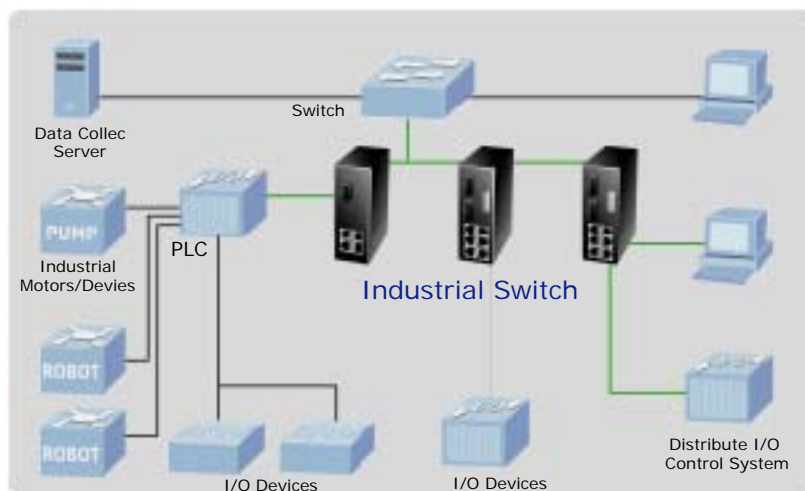
- Complies with IEEE 802.3, IEEE 802.3u
- CSMA/CD Protocol
- RJ-45 Port support auto MDI/MDI-X function
- Wide-range redundant power design
- Store and forward switch architecture
- DIN rail and 3-way wall mount design

Industrial Conformance

- 12 to 48V DC, redundant power with polarity reverse protect function and connective removable terminal block for master and slave power
- 0 to 60 Degree C operation temperature
- IP-30 Aluminum case
- EMI complies with FCC Class A, CE EN6100-4-2, CE EN6100-4-3, CE EN6100-4-4, CE EN6100-4-5 and CE EN6100-4-6
- Stability testing with IEC60068-2-32(Free fall), IEC60068-2-27(Shock) and IEC60068-2-6(Vibration)

SPECIFICATION

Product	IEEE 802.3, IEEE802.3u 10/100Base-TX	
Model	ISW-500	ISW-800
Hardware		
10/100Mbps TP	5	8
Protocol	CSMA/CD	
Switching Architecture	Store and forward	
Transfer Rate	144,880 pps for Ethernet port and 1448,800 pps for Fast Ethernet port	
MAC address	1k	2k
Memory Buffer	512Kbits	1Mbit
Network Cable	10Base-T : 2-pair UTP/STP Cat 3, 4, 5 cable 100Base-TX: 2-pair UTP/STP Cat. 5 cable 10Base-T: EIA/TIA-568 100-ohm (100m)	
LED	Per port : Link/Activity (Green), Full duplex/Collision (Green) Per unit: Power 2 (Green), Power 1 (Green), Power (Green)	
Back-plane	1.0G	1.6Gbps
Packet throughput ability	0.74Mbps@64bytes (5TX)	1.19Mpps@64bytes (8TX)
Power Supply	12~48 VDC, Redundant power with polarity reverse protection function	
Power Consumption	5-Port TX: 2.8 Watts	8-Port TX: 4.6 Watts
Installation	Provide DIN rail kit and wall mount plate for 3-way installation	
Operating environment	0~60 Degree C, 5%~90%RH (Non-condensing)	
Storage environment	-40~85 Degree C, 5%~90%RH (Non-condensing)	
Dimension (W x D x H)	54 x 105 x 155 mm	
Emission	FCC Class A, CE mark	
Stability testing	IEC60068-2-32(Free fall), IEC60068-2-27(Shock), IEC60068-2-6(Vibration)	

APPLICATIONS

ORDERING INFORMATION

ISW-500	5-Port Industrial Ethernet Switch
ISW-800	8-Port Industrial Ethernet Switch