

Under-Cabinet Can Opener

USE AND CARE GUIDE
MODEL 2246CAN



IMPORTANT SAFEGUARDS

When using electrical appliances, basic safety precautions should always be followed including the following:

- ◆ Read all instructions.
- ◆ To protect against risk of electrical shock do not put cord, plugs, or appliance in water or other liquid.
- ◆ Close supervision is necessary when any appliance is used by or near children.
- ◆ Unplug from outlet when not in use, before putting on or taking off parts, and before cleaning.
- ◆ Avoid contacting moving parts.
- ◆ Do not operate any appliance with a damaged cord or plug or after the appliance malfunctions, or is dropped or damaged in any manner. Contact Consumer Service for examination, repair or electrical or mechanical adjustment.
- ◆ The use of attachments not recommended or sold by the manufacturer may cause fire, electric shock or injury.
- ◆ Do not use outdoors.
- ◆ Do not let cord hang over edge of table or counter.
- ◆ Do not let cord contact hot surface, including the stove.
- ◆ Do not open pressurized (aerosol-type) cans.
- ◆ Do not open cans of flammable liquids such as lighter fluids.
- ◆ To reduce the risk of fire or electric shock, do not operate any heating appliance beneath the mounted unit.
- ◆ Do not mount the storage bracket/unit over or near any portion of a heating or cooking appliance or a sink or basin.

SAVE THESE INSTRUCTIONS

For Household Use Only



ADDITIONAL IMPORTANT SAFEGUARDS

- ◆ All users of this appliance must read and understand this Use and Care Guide before operating or cleaning this appliance.
- ◆ The cord to this appliance should be plugged into a 120V AC electrical outlet only.
- ◆ Do not leave this appliance unattended during use.
- ◆ If this appliance begins to malfunction during use, immediately turn the unit OFF and unplug the cord. Do not use or attempt to repair the malfunctioning appliance.
- ◆ IF this appliance falls or accidentally becomes immersed in water, unplug it immediately. **Do not reach into the water!** Do not use this appliance after it has fallen into or becomes immersed in water.
- ◆ To reduce the risk of injury to persons or property, never use this appliance in an unstable position.
- ◆ Do not use this appliance for other than its intended use.

Polarized Plug

This appliance has a polarized plug, (one blade is wider than the other). This plug is intended to fit in a polarized outlet only one way. If the plug does not fit fully in the outlet, reverse the plug. If it still does not fit, contact a qualified electrician. Do not attempt to modify the plug in any way.

Short Cord Instructions

A short power-supply cord is provided to reduce the risk resulting from becoming entangled in or tripping over a longer cord.

Do not use an extension cord with this product.

Electric Power

If the electric circuit is overloaded with other appliances, your Toaster may not operate properly. It should be operated on a separate electrical circuit from other appliances.

How To Install Your Under-Cabinet Can Opener

1. This can opener is designed to be installed under a cabinet (see Figure 1). The hardware for installation is packaged in a separate plastic bag. To select a location for installation please consider the following:
 - A) An electrical outlet should be within easy reach of the cord so that it will not drape over heating appliances or get in the way of your normal work area.
 - B) Do not install above a cooking or heating area such as a stove.
2. Position the mounting bracket at least 4 inches from the wall and leave sufficient room behind the can opener to insert a knife for sharpening. Use the included mounting template to mark the location of the screw holes.
3. Re-check that the unit is positioned in the desired area before drilling the holes in the cabinet. Using a $\frac{3}{16}$ inch drill bit, drill the 4 holes in the cabinet.

NOTE: If the cabinet has an overhang (Figure 1) you must use a spacer. The spacer should be the same thickness as the amount of overhang. The outside dimensions of the spacer are provided on the template. If a spacer is used, longer #8 x 32 machine screws are required. The screws should be $1\frac{7}{8}$ inches under the head plus the thickness of the spacer.

4. The four screws may be installed from the top down or from the bottom up (see Figure 2). If installed from the top, be sure the bottom of the screw does not interfere with the body of the can opener and prevent assembly. If this occurs you will need to trim off the excessive screw length or you may place a spacer under the screw head. Place the hex nuts in the hex shaped recess of the mounting bracket and hold in place with the end of a pencil until you engage the threads.

NOTE: Do not tighten the screw all the way until you have inserted all 4 screws. Tighten all four screws. Insert the unit into the bracket (see Figure 3). Lock can opener into place by turning Removable Locking Knob clockwise (see Figure 4). Do not over-tighten.



How To Install Your Under-Cabinet Can Opener (Cont.)

FIGURE 1

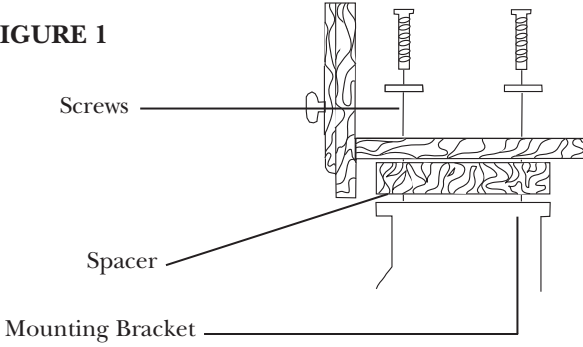


FIGURE 2

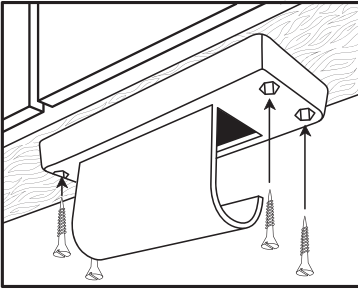


FIGURE 3

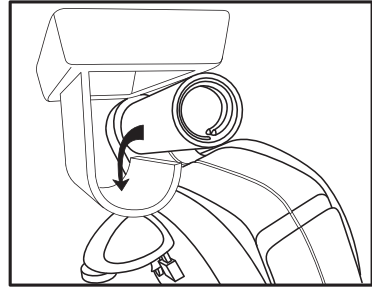
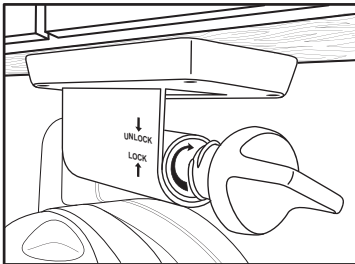


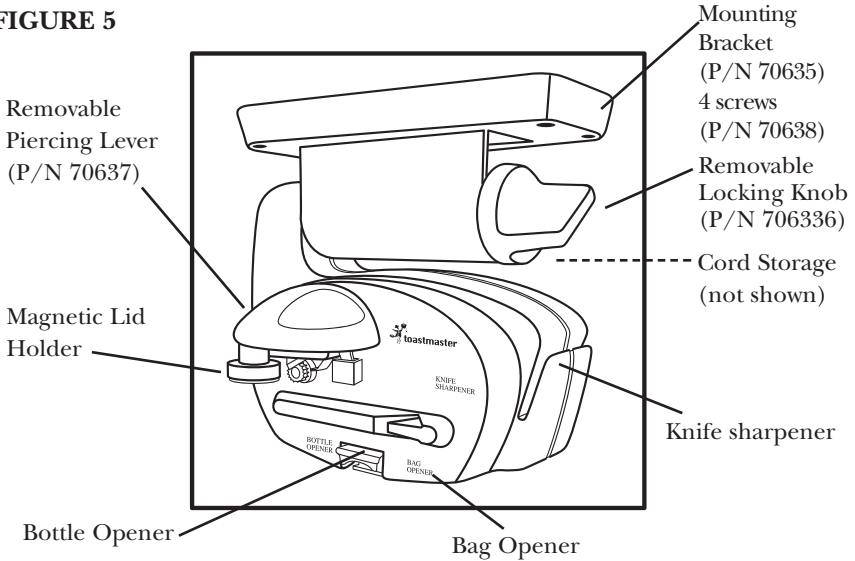
FIGURE 4



Getting to know your **Toastmaster** Under-Cabinet Can Opener

Your product may vary slightly from illustration.

FIGURE 5



How To Use Your Under-Cabinet Can Opener

1. Attach Piercing Lever as shown in Figure 6.
2. Raise piercing lever and place the rim of a can at an angle behind the piercing lever.
3. Lower the piercing lever. This starts the cutting action. The lever will remain down until the lid is completely cut. Then it will stop automatically.
4. Hold the can and raise the lever to release the can.
5. Carefully slide the lid away from the magnet.



Tips

- ◆ This can opener is designed to open cans only when mounted under a cabinet. The motor will operate if the unit is not mounted, but do not attempt to open cans unless properly mounted.
- ◆ If there is a ridge in the rim of the can, open the other end or begin the cutting action immediately after the ridge.
- ◆ For extremely large or heavy cans, it is recommended that you lightly support the can as it is being opened.

To Open Bottles

Insert the top of the bottle so the cap is under the metal hook. Lightly support the back of the can opener and then press the bottle down until the cap is removed.

To Open Bags

Hold the plastic bag along the right side, with both hands at the top corner. Insert the upper edge of the bag into the opener and slide the bag from left to right.

To Sharpen Knife Blade

Place the blade into rectangular opening and move from front to back several times.

Tips

- ◆ Be sure knife is clean and free of grease. Greasy or wet blades may coat the sharpener and the blade will not sharpen satisfactorily.
- ◆ Do not attempt to sharpen hollow ground or serrated blades.
- ◆ Raise the knife handle slightly at the end of each sharpening, if the knife has a curved tip.
- ◆ Uneven sharpening may occur if you force the knife blade against the sharpener.
- ◆ The can opener/knife sharpener is intended for household use only.

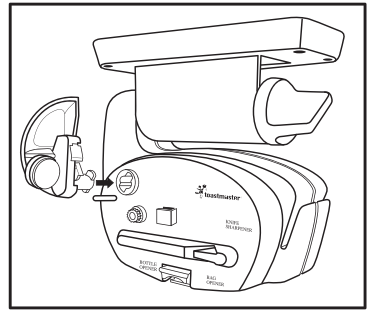
User Maintenance Instructions

This appliance requires little maintenance. It contains no user serviceable parts. Do not try to repair it yourself. Any servicing requiring disassembly other than cleaning must be performed by a qualified appliance repair technician.

How To Clean Your Can Opener

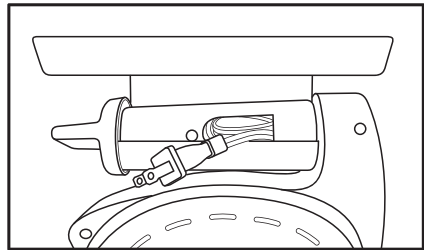
1. Unplug the unit from the electrical outlet. Remove the can opener from the mounting bracket by turning the lock clockwise and sliding the unit back.
2. To remove the piercing lever assembly, raise assembly up and pull away from can opener (see Figure 6).
3. Wash piercing lever in warm soapy water. Rinse and dry.
4. Replace assembly.
5. To clean unit, wipe with a clean, damp cloth. Do not immerse in water.

FIGURE 6



Note: Cord storage is provided at the back of the can opener for excess cord (see Figure 7).

FIGURE 7

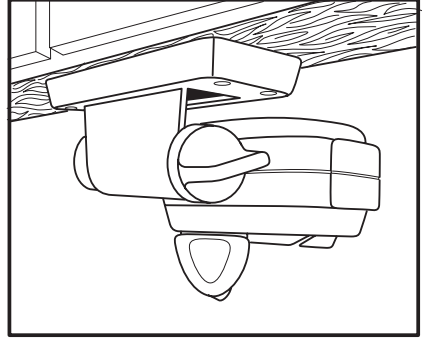


How To Use Out-Of-Sight Storage

The can opener has a feature for out-of sight storage.

1. Loosen the Removable Locking Knob by turning counter-clockwise.
2. Swivel can opener upward so back of can opener is flush with cabinet (see Figure 8).
3. Lock can opener into place by turning Removable Locking Knob clockwise. Do not over-tighten.

FIGURE 8



LIMITED ONE-YEAR WARRANTY

Warranty Coverage: This product is warranted to be free from defects in materials or workmanship for a period of one (1) year from the original purchase date. This product warranty is extended only to the original consumer purchaser of the product and is not transferable. For a period of one (1) year from the date of original purchase of the product, our Repair Center will, at its option, either (1) repair the product or (2) replace the product with a reconditioned comparable model. These remedies are the purchaser's exclusive remedies under this warranty.

Warranty Service: To obtain warranty service, you must call our warranty service number at 1-800-233-9054 for return instructions on how to deliver the product, in either the original packaging or packaging affording an equal degree of protection to the Repair Center specified below. You must enclose a copy of your sales receipt or other proof of purchase to demonstrate eligibility for warranty coverage.

To return the appliance, ship to:

ATTN: Repair Center
708 South Missouri Street
Macon, MO 63552 USA

To contact us, please write to, call, or email:

Consumer Relations Department
PO Box 7366
Columbia MO 65205-7366 USA
1-800-233-9054
E-mail:
consumer_relations@toastmaster.com

What Is Not Covered: This warranty does not cover damage resulting from misuse, accident, commercial use, improper service or any other damage caused by anything other than defects in material or workmanship during ordinary consumer use. This warranty is invalid if the serial number has been altered or removed from the product. This warranty is valid only in the United States and Canada.

LIMITATION ON DAMAGES: THERE SHALL BE NO LIABILITY FOR ANY INCIDENTAL OR CONSEQUENTIAL DAMAGES FOR BREACH OF ANY EXPRESS OR IMPLIED WARRANTY OR CONDITION ON THIS PRODUCT.

DURATION OF IMPLIED WARRANTIES: EXCEPT TO THE EXTENT PROHIBITED BY APPLICABLE LAW, ALL IMPLIED WARRANTIES AND CONDITIONS, INCLUDING, WITHOUT LIMITATION, IMPLIED WARRANTIES AND CONDITIONS OF MERCHANTABILITY AND FITNESS FOR A PARTICULAR PURPOSE OR USE ON THIS PRODUCT ARE LIMITED IN DURATION TO THE DURATION OF THIS WARRANTY.

Some jurisdictions do not allow the exclusion or limitation of incidental or consequential damages, or allow limitations on how long an implied warranty lasts, so the above limitations or exclusions may not apply to you. This warranty gives you specific legal rights and you may have other rights under the laws of your jurisdiction.

For more information on our products, visit our website: www.maxim-toastmaster.com.



toastmaster®

Keep Dated Sales Receipts for Warranty Service.

Keep this booklet. Record the following for reference:

Date purchased _____

Model number _____

Date code (stamped on bottom) _____

EVERYBODY EATS. It's a fact of life.

**But sometimes preparing
meals can become a chore.**

**That's why TOASTMASTER has been invited
into millions of kitchens just like yours
so we can HELP YOU MASTER your
mixing, baking, grilling, toasting,
brewing, heating and serving
tasks WITH EASE AND STYLE.**

**The TOASTMASTER name stands for a
CELEBRATION of INNOVATION designed
to serve your life and keep you
COOKIN' IN STYLE.**



toastmaster®

- Easy to install and use
- Easy piercing action
- Hands free operation, automatic shut off
- Removable cutting assembly, built-in knife sharpener
- Bottle and bag opener
- Hidden cord storage
- Swivels out of sight for easy storage



Questions

Call toll free 1-800-947-3744

Monday–Friday, 8:00 a.m.-5:30 p.m. CST

www.maxim-toastmaster.com

2246CAN