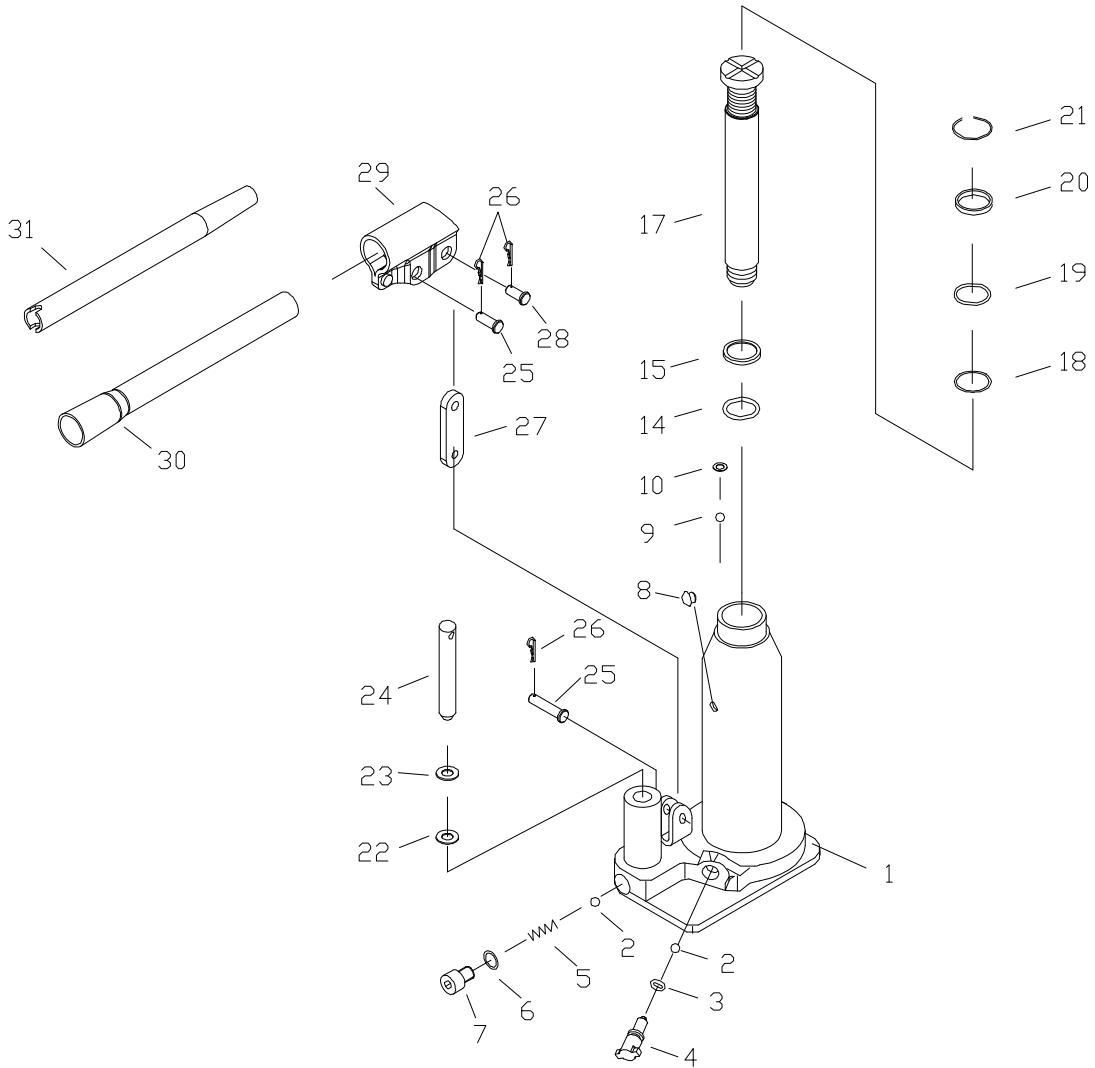




### 3 Ton Bottle Jack

**Model**     **Stock No**  
JBJ-3        655551



See reverse side for parts list

**WALTER MEIER (Manufacturing) Inc.**

427 New Sanford Road  
LaVergne, Tennessee 37086  
Ph.: 800-274-6848  
www.waltermeier.com

**Part No. M-655551**

Revision C 11/2010

Copyright © 2010 Walter Meier (Manufacturing), Inc.

## Parts List for 3-Ton Bottle Jack

Index No.	Part No.	Description	Size	Qty.
1	JB3-1	Body		1
2	SB-6mm	Steel ball	6 mm	2
3	JB12-3	O-ring*	7.1 x 2.65 mm	1
4	JB5-2	Release rod		1
5	JB5-3	Spring		1
6	JB5-4	Copper washer*		1
7	JB5-5	Screw	M6 x 10	1
8	JB12-9	Oil filler plug*	6 mm	1
9	SB-5mm	Steel ball	5 mm	1
10	JB3-2	Washer		1
14	JB3-6	O-ring*	16.3 x 5 mm	1
15	JB3-7	Sealing washer*		1
17	JB3-9	Ram		1
18	JB3-10	Washer		1
19	JB3-11	O-ring*	22.4 x 3.55 mm	1
20	JB3-12	Bushing		1
21	JB3-13	Snap ring		1
22	JB5-18	O-ring*	9.4 x 2.4 mm	1
23	JB5-19	Nylon gasket*		1
24	JB5-20	Pump cylinder		1
25	JB5-21	Pin		2
26	JB12-31	Pin		3
27	JB5-22	Joining plate		1
28	JB5-23	Pin		1
29	JB3-15	Handle socket		1
30	JB3-16	Rear handle		1
31	JB3-17	Front handle		1
	JB3-RPK	Repair kit		

Items marked with an asterisk (\*) are included in the Repair Kit.

### Ordering Replacement Parts

To order parts or reach our service department, call 800-274-6848 Monday through Friday (see our website for business hours, [www.waltermeier.com](http://www.waltermeier.com)). Having the Model Number and Serial Number of your machine available when you call will allow us to serve you quickly and accurately.