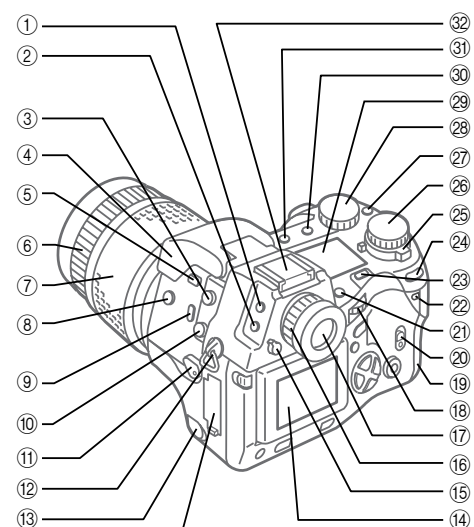


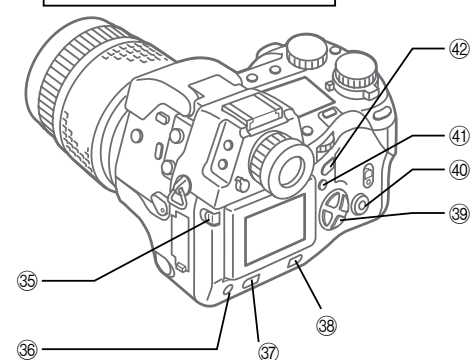
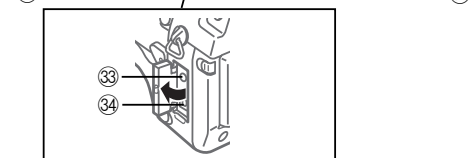
OLYMPUS
CAMERA Digital Camera **E-10**
Quick Start Guide

Follow these simple instructions to start using your camera in minutes. Read the other instructions provided with the camera for detailed descriptions of all the exciting features that the Olympus E-10 packs into its compact design.

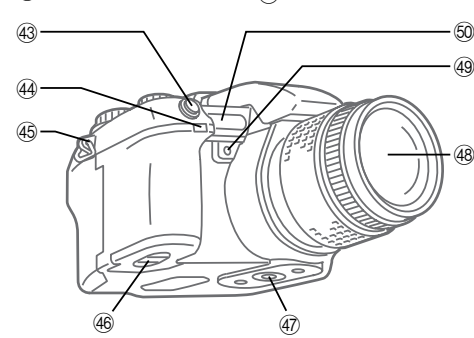
Important Parts and Names



- 1 Metering mode button
- 2 Drive button
- 3 Remote cable jack
- 4 Built-in flash
- 5 Flash button
- 6 Manual focus ring
- 7 Zoom ring
- 8 Exposure compensation button
- 9 Macro button
- 10 Flash synchro socket
- 11 Focus mode switch
- 12 Strap eyelet
- 13 DC IN jack cap
- 14 Monitor
- 15 Eyepiece shutter lever
- 16 Diopter adjustment ring
- 17 Viewfinder
- 18 Main dial
- 19 Card cover
- 20 Card cover lock
- 21 SM/CF memory card button
- 22 Card access lamp
- 23 Light button
- 24 AE lock button
- 25 Power switch
- 26 Mode dial
- 27 White balance mode button
- 28 Sub dial
- 29 Control panel
- 30 Record mode button
- 31 Flash mode button
- 32 Hot shoe



- 33 Video OUT jack
- 34 USB connector
- 35 Monitor lock/release button
- 36 INFO button
- 37 Protect button
- 38 Erase button
- 39 Arrow pad
- 40 OK button
- 41 Menu button
- 42 Monitor button
- 43 Shutter button



- 44 Remote control receiver/self-timer lamp
- 45 Strap eyelet
- 46 Battery compartment
- 47 Tripod socket
- 48 Lens
- 49 Quick reference white balance button
- 50 AF port

Ready!

You have to complete several important tasks before you can use the camera.

1 Attach the strap.

- Thread the ends of the strap through the eyelets on both sides of the camera. Slide the ends of the straps through the sleeve and frame, and then pull them tight. Slide the sleeve up the eyelets on both sides.

2 Load the lithium battery packs provided with the camera.

- On the bottom of the camera, turn the battery compartment knob to the open position , open the compartment, and then remove the battery case.

- With the +/- polarities aligned correctly, insert the battery packs into the battery, taking care not to reverse the +/- polarity.
- Load the case in the camera. Push down lightly on the compartment case, and then move the battery compartment knob to the close position .

Note:
Your camera can also use the following types of batteries: AA (R6) Ni-MH (x4), AA (R6) Alkaline (x4), AA (R6) Ni-Cd (x4), and lithium polymer (requires optional holder mounted on the camera). For details, refer to the Reference Manual.

Caution:
Never use AA (R6) Zinc-carbon or AA (R6) lithium batteries with this camera. These batteries could overheat and seriously damage the camera.

3 Insert the memory cards.

- The camera can hold one SmartMedia® and one CompactFlash® (Type I or II) memory card. Either card can be installed alone or both can be installed together, but at least one memory card of either type must be installed in the camera before you take pictures.
- Hold the camera with the lens facing away from you. On the back of the camera, move the card cover lock button up to open the card cover.
- To install a SmartMedia card, hold it with its notched corner down, and insert it into the thinner slot closest to the back of the camera. Gently push the card completely into the slot. (Insert the SmartMedia card until you can see about 2 mm of the card above the edge of the slot.)
- To remove the SmartMedia card, push it in gently to release and then pull it out of the slot.
- To install the CompactFlash card, hold it with the arrow on the card toward you and insert it into the wider slot closest to the front of the camera. Gently push the card completely into the slot.
- To remove the CompactFlash card, gently press the eject button below the slot.

Caution:
Careful! If you press the eject button too hard, the CompactFlash card could pop out of the slot.

4 Switch the camera on.

- The power switch is located on top of the camera by the mode dial (marked **P**, **A**, **S**, **M**). Move the power switch toward you to the ON position. The control panel on top of the camera comes on.
- The battery check mark in the control panel on top of the camera tells you that the batteries are fully charged. When this mark begins to blink, the batteries are low and you should replace them as soon as possible. If this mark goes off, the batteries are dead and the camera cannot be used until you have replaced the batteries.
- The large number to the right of the battery check tells you the approximate capacity of the selected card. As each picture is taken, this number will decrease until it reaches 0 and the card is full.
- To switch the camera off, move the power switch forward to the OFF position.

5 Set the date and time.

- On the top right corner of the camera, set the mode dial to the setup/connection mode mark .
- On the back of the camera above the arrow pad, press the menu button . The menu appears in the monitor.
- On the arrow pad, press once to move the green highlight to the time setting mark .
- With the time setting mark highlighted, press once to move the green highlight to the mark. Below the date, the date format, -Y-M-D for example, where Y, M, D stand for the Year, Month, Day, is displayed.
- Press or to select the date format (-Y-M-D, -M-D-Y, etc.), and then press . Two pointers appear above and below the first setting.
- Now you can set the date. On the arrow pad, press or to increase or decrease the 2-digit number. With the desired number displayed (12 for example) press the OK button to select the number and move the pointers to the next position. (The OK button is on the lower right side of the arrow pad on the back of the camera.)
- For each position, press or to select the desired number and press the OK button to save the setting and move the pointers to the next position. Be sure to set the time using the 24-hour settings. (00: 00~23: 59)
- After setting the minute, the green highlight returns to the time setting mark . Press the OK button to save the settings and close the menu.

Get Set!

1 If the lens cover is on the lens, remove it.

2 Select the shooting mode.

- Move the mode dial to the **P** (Program mode) setting. With the mode dial set to **P**, the camera automatically selects the correct aperture and shutter speed for the best exposure. This is the best setting if you are just getting started.

Four shooting modes are available. For details, refer to the Reference Manual.

P	Program mode	Camera selects the correct aperture and shutter speed automatically.
A	Aperture priority mode	Camera sets the correct shutter speed for the aperture that you select by moving the sub dial left or right.
S	Shutter priority mode	Camera sets the correct aperture for the shutter speed that you select by moving the sub dial left or right.
M	Manual mode	You select the aperture with the main dial and the shutter speed with the sub dial.

3 Adjust the viewfinder for your eyes. If you wear eyeglasses, you may need to sharpen the viewfinder display.

- If the AF target mark in the center of the viewfinder is not sharp, turn the diopter adjustment ring around the viewfinder left or right until the AF target mark is sharp.

4 Select the memory card.

- If only one memory card is installed in the camera, the card is selected automatically for storing pictures that you take. If both cards are installed, the control panel display will tell you which card is currently selected for storing pictures.
 - SmartMedia memory card selected.
 - CompactFlash memory card selected.
- If you want to switch the selection, press and hold down the SM/CF memory card button below the control panel, and then turn the main dial (below the SM/CF memory card button on the back of the camera) until you feel a click. In the control panel you should see SM or CF displayed.

Go!

1 Make sure that the lens cover has been removed.

2 Take a picture.

- Point the camera at the subject that you want to take a picture, and look through the viewfinder to compose the picture.
- Turn the zoom ring to enlarge or reduce the size of the subject in the viewfinder.
- The shutter button is near the top, front edge of the grip. With the picture composed in the viewfinder, use the flat of your index finger to half-press the shutter button and wait for the AF correct mark light in the lower left corner of the viewfinder to light. When you see the AF correct mark light, the picture is correctly focused and exposure is calculated.
- Full-press the shutter button to take the picture. After the shutter releases, the monitor on the back of the camera briefly displays the image of the picture you have just taken and then goes off.
- If you see the mark blinking in the viewfinder, this means that you should use the flash.
- On the left side of the camera, near the top, press the flash button to raise the built-in flash unit. The flash will fire automatically to ensure correct exposure of the picture.

3 Repeat from Step 2 to take a few more pictures.

4 View the pictures that you have just taken.

- Set the mode dial to playback . The monitor on the back of the camera switches on and you will see the the last picture taken.
- On the arrow pad, press or to display the other shots one by one.
- If you want to display several images at once so you can quickly locate a picture, turn the main dial to the left. Every time you move the dial left you will see 4, 9, then 16 frames in the monitor. This is called the index display where each set of 4, 9, or 16 frames are displayed as an index.
- Press or to display the next index. On the arrow pad, press or to move the green highlight within the displayed index to select the picture that you want to display.
- If you want to enlarge the display so you can check the focus of the picture, turn the main dial clockwise to enlarge the display in steps. As you enlarge the display, the view becomes smaller. Press on the arrow pad to scroll around the enlarged image. Turn the main dial counterclockwise until the original display is restored.

5 Delete a picture.

- With the frame that you want to delete displayed in the monitor, press the erase button on the back of the camera near the bottom edge. If you are using the index display, use on the arrow pad to select the picture that you want to erase, and press the erase button.
- To switch off playback, set the mode dial to **P**, **A**, **S**, or **M**.

More...

Important Points to Remember

- If the camera is left with the power on and not used for a specified amount of time (1 minute unless you have changed this setting), it will enter the sleep mode and automatically switch off the control panel and other displays to conserve battery power. To restore the camera to normal operation, half-press the shutter button, or turn the zoom ring one position left or right and then back to its original position.
- If the camera remains idle in the sleep mode for 1 hour, it will switch itself off automatically. To restore full operation, you must move the power switch to the OFF position and then back to the ON position.
- To conserve battery power, we recommend that you purchase the AC adapter designed for this camera and use it for long shooting sessions indoors. The camera never enters the sleep mode while the AC adapter is connected to the camera and a power outlet. You can power the camera with the AC adapter without removing the batteries.
- The amount of data required to store a picture depends on the subject, so you may be able to store more or fewer images on a card. Because of this difference in size, you may not be able to store another picture, even after you delete one image from the card with single-frame delete.

Storage capacity of a 8MB and 32MB memory card

The numbers of images per 8MB and 32MB memory are only approximate estimations.

Quality	Resolution (pixels) (Default settings)	Compression (Default settings)	File Size (Reference value)	Images per Card (Reference value)	
				8MB	32MB
TIFF	2240 x 1680 (FULL)	1:1	11.3 MB	0 shots	2 shots
SHQ	2240 x 1680 (FULL)	1:2.7	2.8 MB	2 shots	11 shots
HQ	2240 x 1680 (FULL)	1:8	950 KB	8 shots	34 shots
SQ	1280 x 960 (SXGA)	1:8	300 KB	27 shots	110 shots

Because of the difference in cluster size used on SmartMedia and CompactFlash cards, the same number of images may require more or less space for storage on either card. When using a CompactFlash card, the actual capacity of the card could be slightly less than the capacity indicated in the control panel.

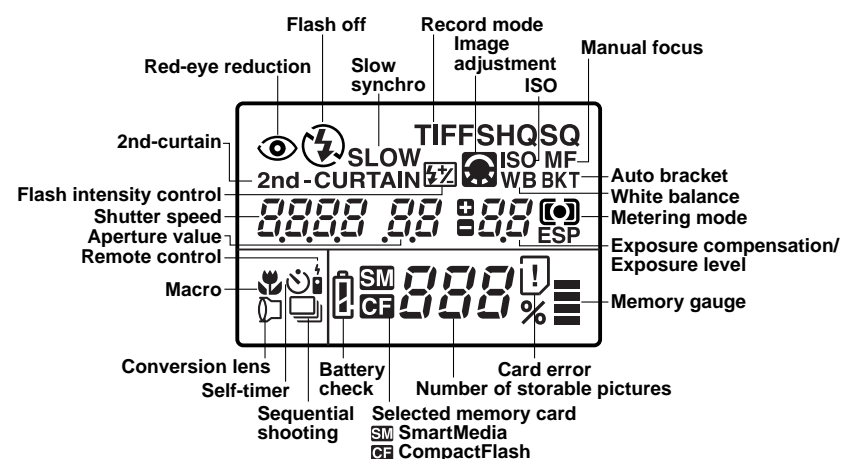
What's on the menu?

This is a brief summary of the menus and how to use them. The menus are used to select special settings for taking pictures. Use this summary as a quick reference. Detailed explanations about these settings are provided in the Instructions.

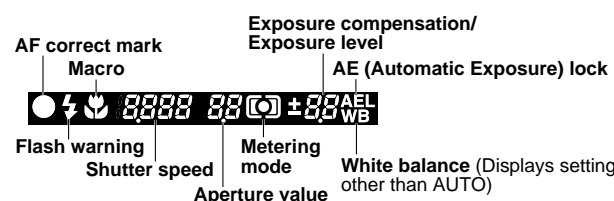
Restoring the Default Settings

The default settings are the settings in effect when you purchased the camera. Some menu settings are not released after the camera is switched off and switched on again so you may need to do this occasionally to restore the camera to its original operating status, especially when you are experimenting with the camera to learn how to use it.

The current settings are displayed in the control panel.



Some settings are also displayed in the viewfinder when you take a picture.



1 The flash mode button and record mode button are on top of the camera, just above the control panel.

2 To restore the default settings, press and hold down the flash mode button and the record mode button together.

That is all there is to it!

How to Use the Menus

Four menus are provided: Shooting Mode, Playback Mode, Print Reserve Mode, and Setup/Connection Mode.

1 To open a menu, set the mode dial on top of the camera to the appropriate setting, and then press the menu button in the center of the back panel of the camera.

P, A, S, M	Menu
	Shooting Mode Menu
	Playback Mode Menu
	Print Reserve Mode Menu
	Setup/Connection Mode Menu

2 Press or to move the green highlight in the left column to select the icon for the setting that you want to change.

- Some Shooting Mode Menu and Setup/Connection Mode Menu have more than one page. The notation in the upper right corner of the menu display tells you which page you are on (1/3, 2/3, and so on.)

- If you press with the highlight at the last icon, the next page of the menu is displayed.

- If you press with the highlight at the first icon, the previous page of the menu is displayed.

3 With the desired icon selected, press or to move the green highlight right or left to the setting that you want to select.

- If the setting requires a number selection, press or to increase or decrease the number.

4 Click the OK button to save your selection. The green highlight returns to the icon on the left.

5 Click the OK button to close the menu and return to normal operation.

Shooting Mode Menu

Set the mode dial to **P**, **A**, **S**, or **M**, press the menu button , and then press or to move the green highlight. The Shooting Mode Menu has 3 pages.

1/3	
	Delete all images from selected SmartMedia or CompactFlash card, and format a card.
	ISO (sensitivity) setting.
	Bracket same subject with 3 rapid shots with different exposures.
	Flash intensity control.
2/3	
	Sharpness.
	Overall image contrast.
	Record mode (quality, resolution, compression).
	Set interval time (specify time interval between shots during automatic time lapse photography).
3/3	
	Shutter sound setting (high, low, OFF).
	Warning sound (ON, OFF).
	Image display after shooting.
	Sleep mode timer setting.

Playback Mode Menu

Set the mode dial to , then press the menu button , and then press or to move the green highlight. The Playback Mode Menu has only 1 page.

	Slide show (Automatic playback).
	Copy images card-to-card.
	Delete all images from card, format card.
	Monitor brightness.

Print Reserve Mode Menu

Set the mode dial to , press the menu button , and then press or to move the green highlight. The Print Reserve Mode Menu has only 1 page.

	Select or cancel all pictures for printing.
	Set date or time stamping on prints.
	Select or cancel all pictures for index printing.

Setup/Connection Mode Menu

Set the mode dial to , press the menu button , and then press to move the green highlight. The Setup/Connection Mode Menu has only 2 pages.

1/2	
	Determines whether conversion lens is selected when macro button is pressed.
	Set year/month/day format, and set current date and time.
	After you replace a memory card, you can restart file numbering (RESET) or continue sequential file numbering (AUTO).
	Pictures stored as RAW (unprocessed, uncompressed) data.
2/2	
	Switches histogram on and off.

Optional Accessories

Olympus offers a variety of optional accessories for your camera.

Dedicated External Flash (FL-40)

Dedicated Flash Bracket (FL-BK01)

Dedicated Bracket Cable (FL-CB01~04)

Conversion Lenses

0.8x Wide Extension Lens Pro (WCON-08B)

Macro Extension Lens Pro (MCON-35)

1.45x Tele Extension Lens Pro (TCON-14B)

3x Extension Lens Tele 300 Pro (TCON-300)

Support Arm 2 (TCON-SA2)

Remote Cable (RM-CB1)

Camera Case (Semi-Hard Case)

SmartMedia (8MB, 16MB, 32MB, or 64MB)

Printers P-400/P-330NE

AC Adapter

AA (R6) Ni-MH (Nickel-Metal Hydride) battery

Dedicated Ni-MH Recharge Device

Lithium Polymer Battery (B-10LPB)

Power Battery Holder (B-HLD10)

Lithium Polymer Battery Recharger (B-20LPC)

PC Card Adapter

Compatible up to 64MB SmartMedia

Floppy Disk Adapter FlashPath

Compatible up to 64MB SmartMedia

USB SmartMedia Reader/Writer MAUSB-2

Where to Go from Here

Read the Instructions. The Instructions provide details about all the exciting features of your camera. Simple step-by-step instructions describe how to not only use the camera, but show you how to download data from the memory cards to your computer for further processing with a graphics software application, and so on. If you are new to digital photography, a detailed glossary at the end of the Instructions explains many terms that are not explained here or in the Instructions.

Visit us on-line. You can contact us at www.olympus-europa.com or contact your local Olympus authorized digital camera dealer.