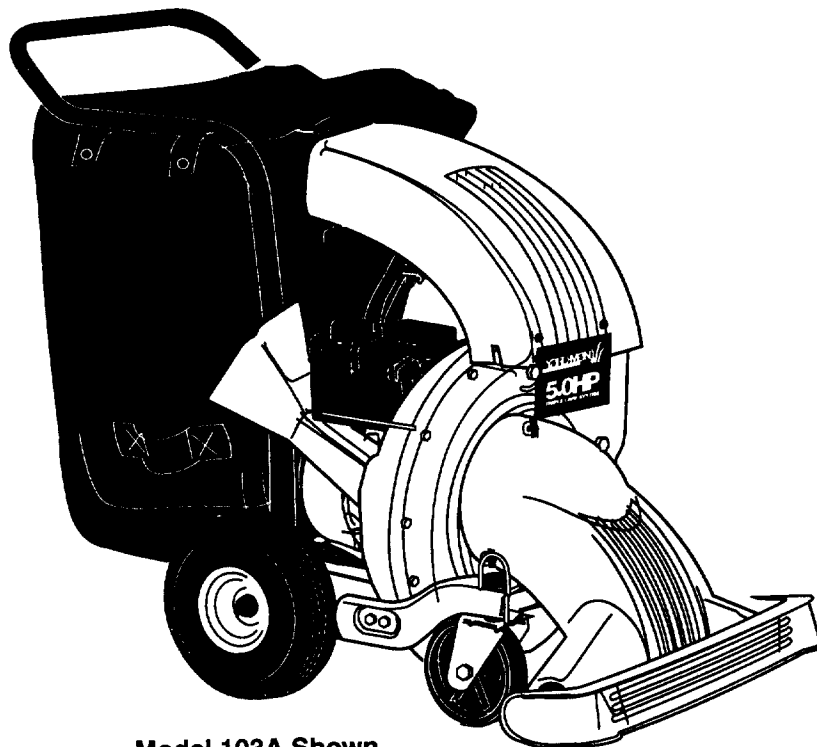




Illustrated Parts Book



Model 103A Shown

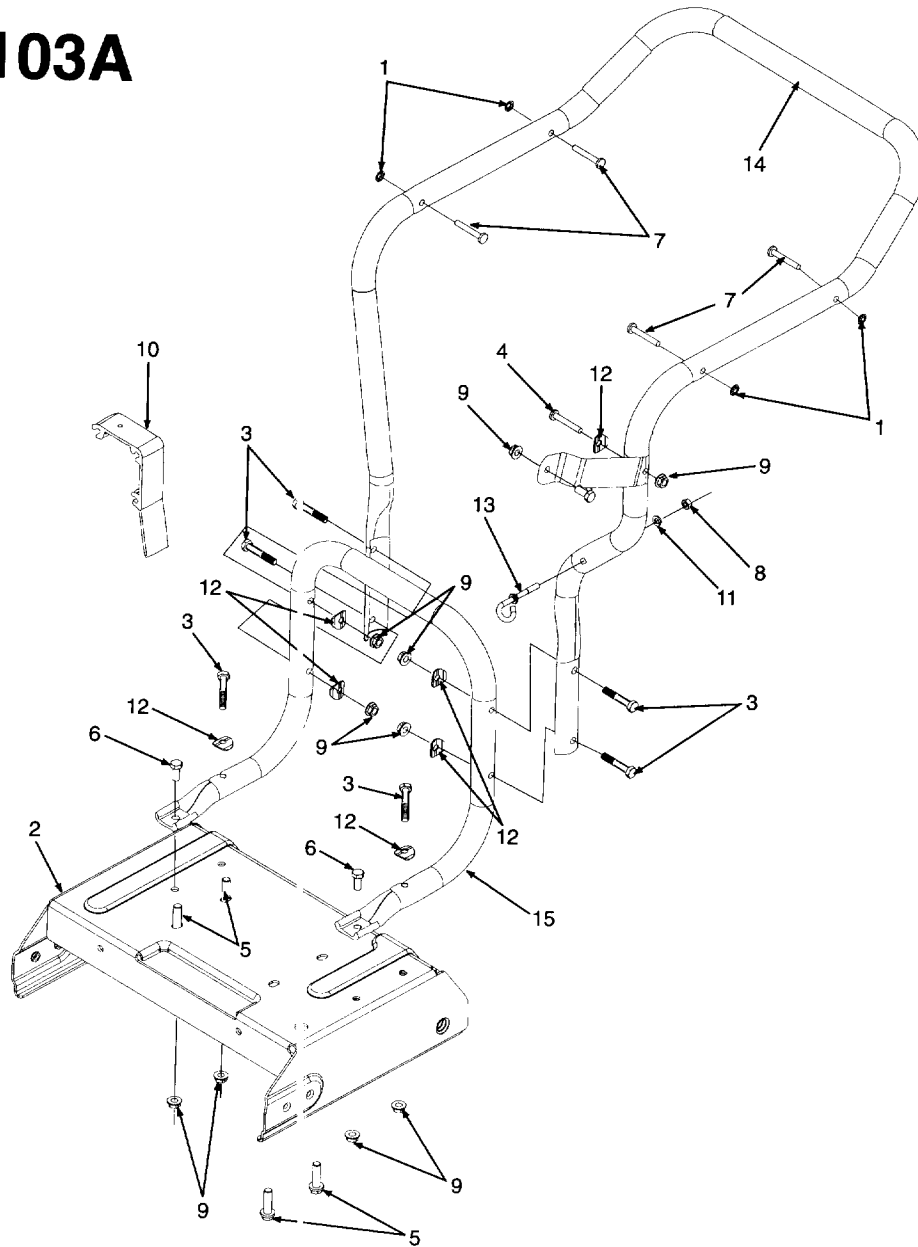
CHIPPER SHREDDER VACUUM

Model Number	Pages
247-103A-000.....	7A-2 thru 7A-3
247-203B-000.....	7A-4 thru 7A-10
247-315A-000.....	7A-11 thru 7A-17

1997

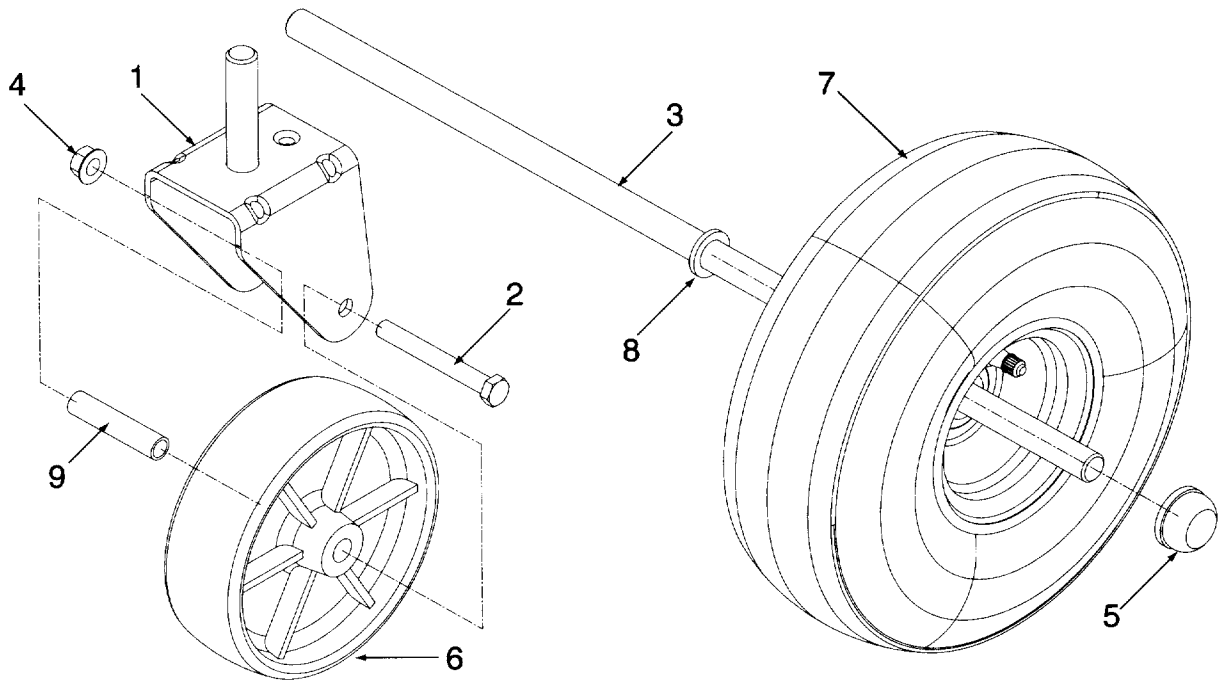
MTD PRODUCTS INC • P.O. BOX 368022 • CLEVELAND, OHIO 44136-9722

Model 103A



REF. NO.	PART NO.	CODE	DESCRIPTION	QTY.
1	1539-019		PUSH NUT .250	4
2	681-0086	N	FRAME ASSEMBLY	1
3	710-0380		HEX HEAD CAP SCREW 5/16-18 x 1.75	6
4	710-0442		HEX HEAD CAP SCREW 5/16-18 x 1.50	1
5	710-0502A		HEX LOCK WASH HD - TAP SCREW 3/8-16 x 1.25	4
6	710-3008		HEX HEAD CAP SCREW 5/16-18 x .75	3
7	711-0737		PIN: STUD .250 x 1.75	4
8	712-0138		HEX NUT 1/4 - 28	1
9	712-3004A		HEX FLANGE LOCK NUT 5/16-18	10
10	719-0330A	N	MOUNTING ADAPTER	1
11	736-0329		LOCK WASHER 1/4	1
12	736-0451		SADDLE WASHER .320 ID x .83 OD	7
13	737-0815		EYE EOLT	1
14	749-0979		UPPER HANDLE	1
15	749-0980		LOWER HANDLE	1
16	781-0647	N	DISCHARGE CHUTE STABILIZING BRACKET	1

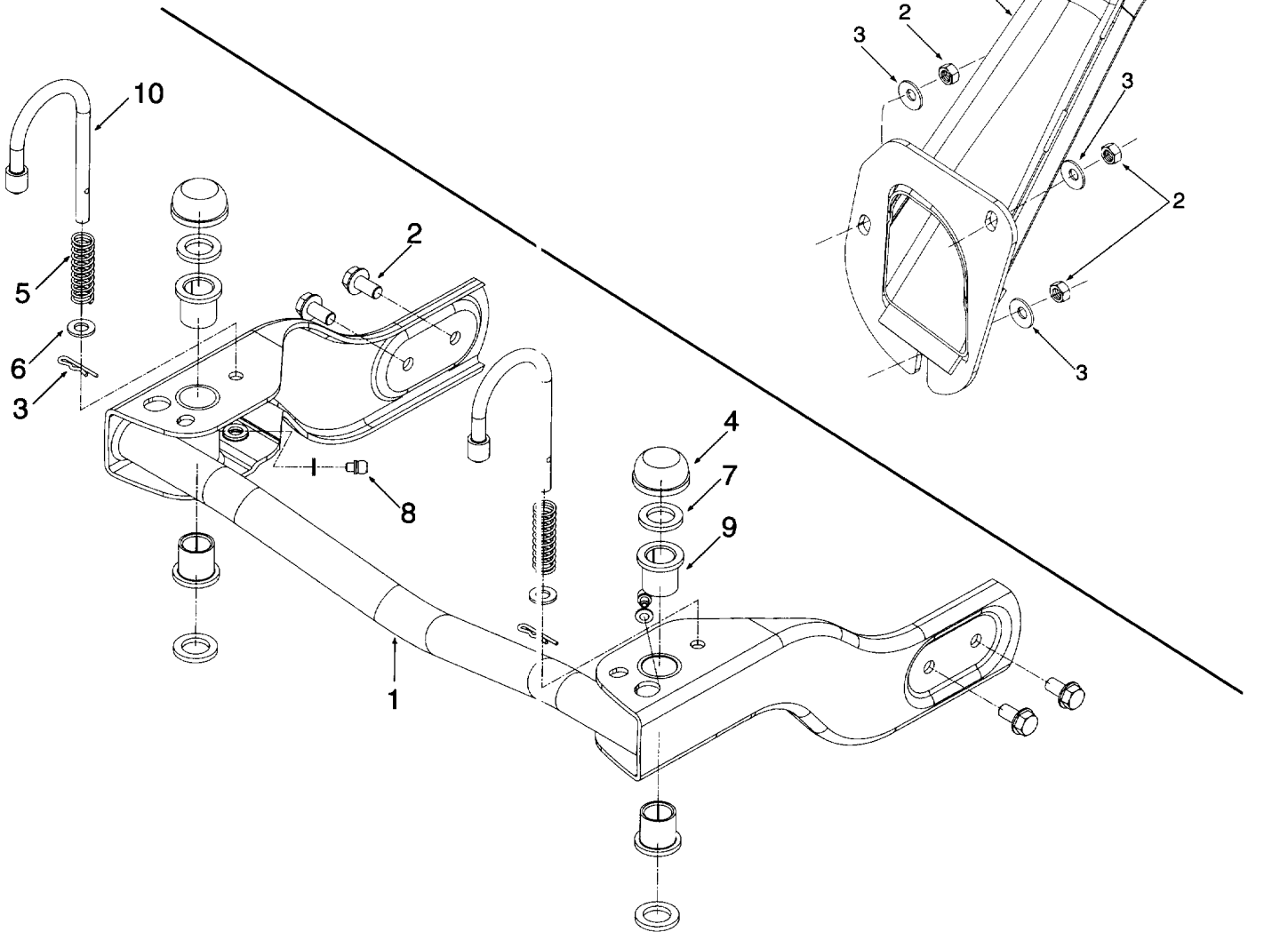
Model 103A



REF. NO.	PART NO.	CODE	DESCRIPTION	QTY.
1	681-0088		PIVOT BRACKET ASSEM.	2
2	710-0194		HEX CAP SCREW 3/8-16 3.00	2
3	711-1084	N	RR AXLE SHAFT	1
4	712-0431		FLANGED LOCK NUT 3/8-16	2
5	726-0214		PUSH CAP 5/8	2
6	734-1804		WHEEL 6.00 x 2.00	2
7	734-1809		WHEEL COMPLETE 10 x 4 x 4	2
8	736-0366		FLAT WASHER 5/8 id x 1.00 od	2
9	750-1042		SPACER .384 id x .500 od x 2.3	2

Models 103A and 203B

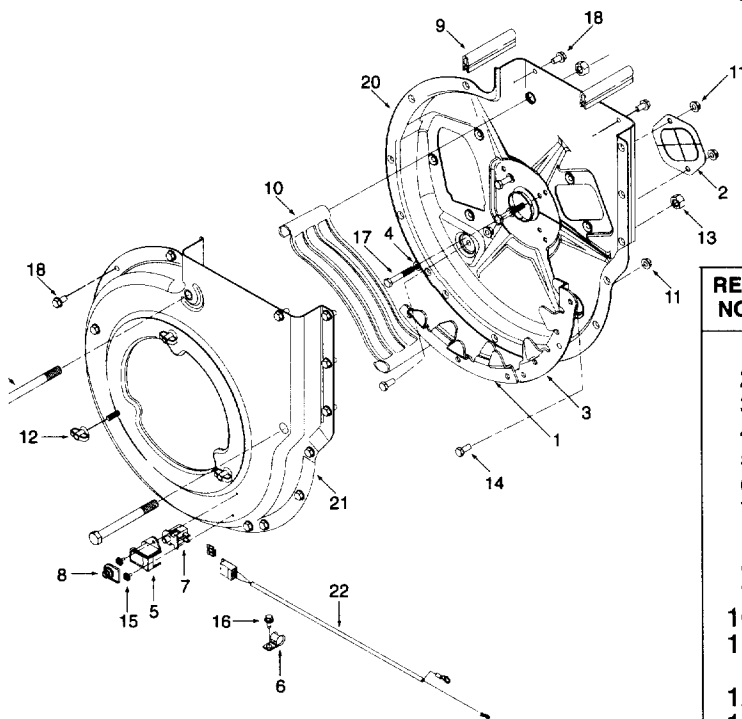
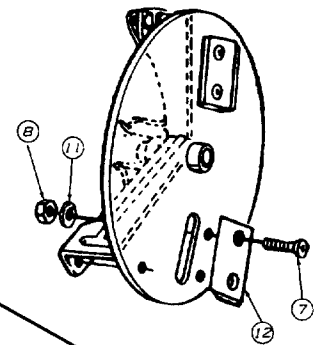
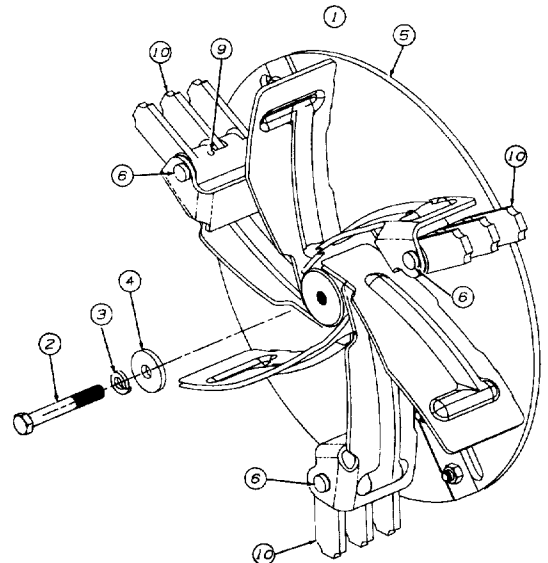
REF. NO.	PART NO.	CODE	DESCRIPTION	QTY.
1	681-0095	N	CHIPPER CHUTE	1
2	712-3010		HEX NUT 5/16 - 18	3
3	736-0242		BELL WASHER .345 ID x .88 OD x .06	3



REF. NO.	PART NO.	CODE	DESCRIPTION	QTY.
1	681-0087		FRONT WHEEL BRACKET ASSEMBLY	1
2	710-0604		HEX WASH HD TT -TAP SCR. 5/16-18x.62LG	4
3	714-0104		INTERNAL COTTER PIN .072x1.75LG	2
4	726-0214		PUSH CAP 5/8	2
5	732-0306		COMPRESSION SPRING .406x.531x1.75LG	2
6	736-0264		FLAT WASHER .330 ID x .630 x .06	2
7	736-0366		FLAT WASHER 5/8 ID 1.00 OD	4
8	737-3000		FITTING 3/16	2
9	741-0487A	N	FLANGE BEARING .632 ID	4
10	747-0924	N	LOCK PIN / FRONT WHEEL	2

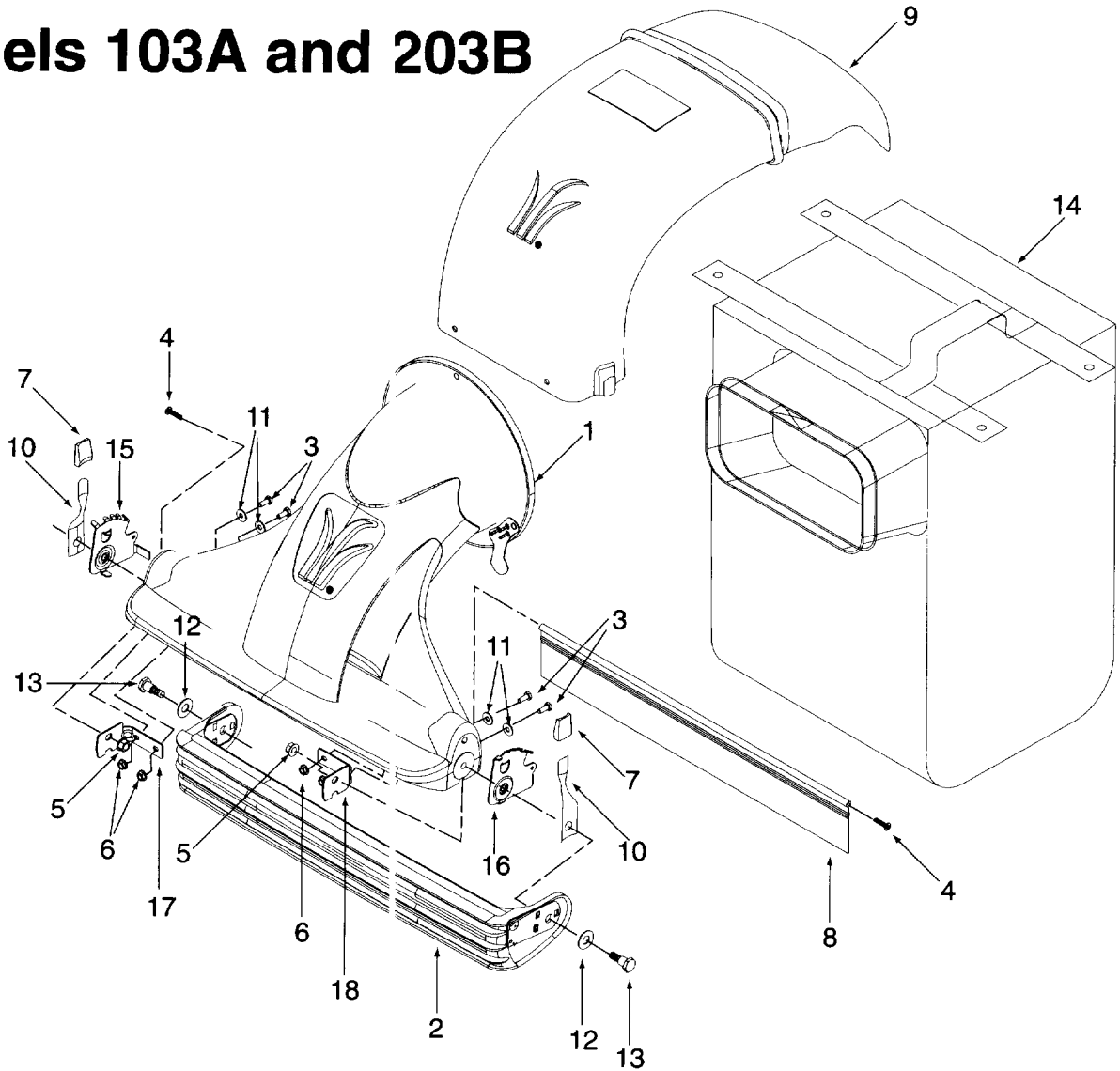
Models 103A and 203B

REF. NO.	PART NO.	CODE	DESCRIPTION	QTY.
1	681-0108	N	IMPELLER ASS'Y COMP. (203B) INCL. REF. NOS. 2 THRU 12)	1
	681-0051		IMPELLER ASS'Y COMP. (103A) INCL. REF. NOS. 2 THRU 12	1
2	710-1273		SCREW-HEX	1
3	736-0217		WASHER-LOCK	1
4	736-0247		WASHER-FLAT	1
5	681-0595		IMPELLER	1
6	711-0833B		PIN-CLEVIS	3
7	710-1054		SCREW-FLAT HEAD	4
8	712-0411		NUT-HEX LOCK	4
9	715-0162		PIN-ROLL SPRING	3
0	719-0329		BLADE-FLAIL	3
1	736-0119		WASHER-LOCK	4
2	781-0490		BLADE-CHIPPER	4



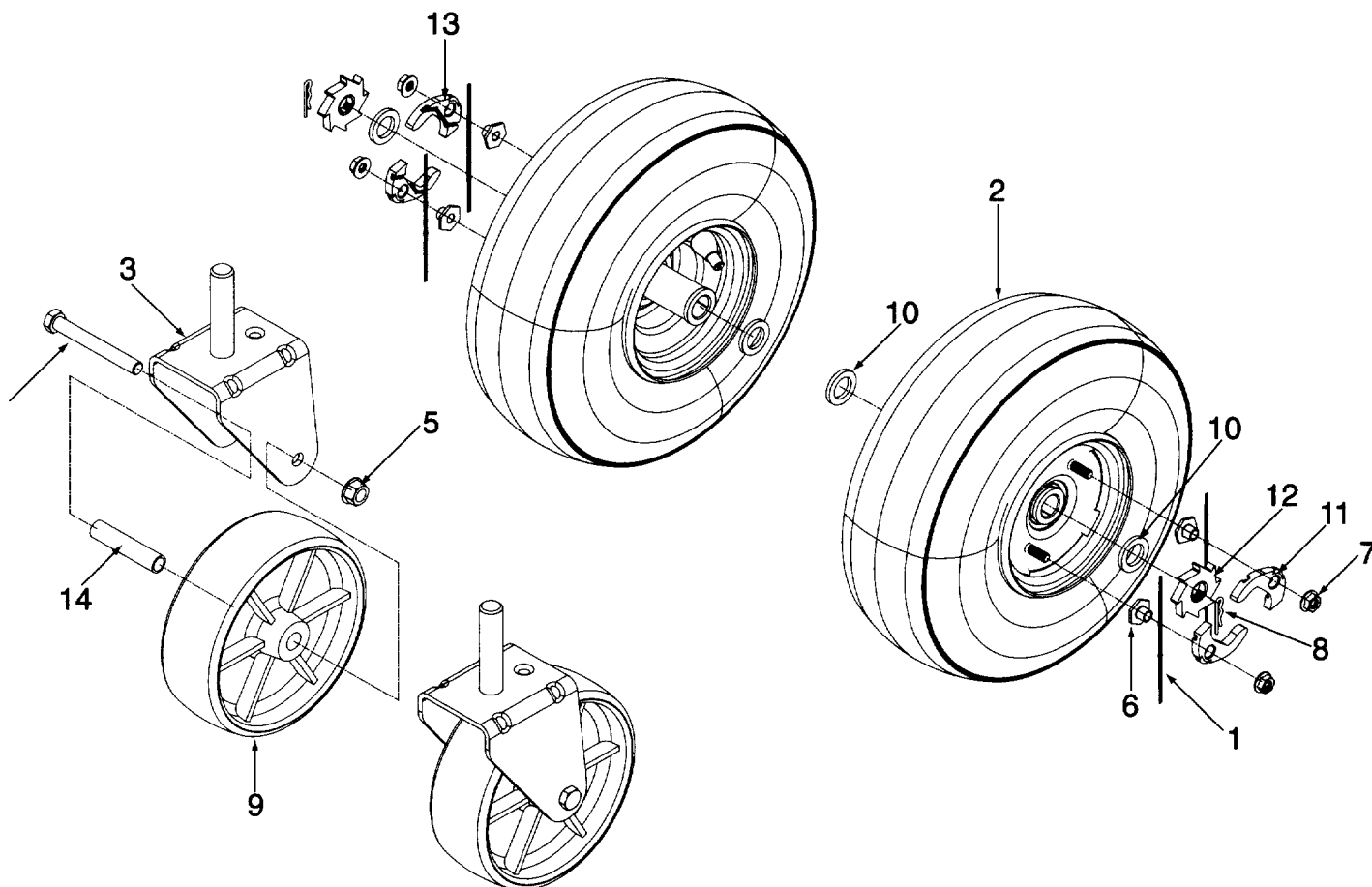
REF. NO.	PART NO.	CODE	DESCRIPTION	QTY.
1	781-0653	N	FLAIL HOUSING	1
2	781-0627		CHIPPER BLADE	1
3	781-0599		FLAIL HOUSING	1
4	736-0119		LOCK WASHER 5/16"	3
5	731-1613		SAFETY SWITCH COVER	1
6	726-0272		CLAMP 9/16 DIA.	1
7	725-3166		SAFETY SWITCH SNAP MOUNT	1
8	725-1700		SWITCH COVER	1
9	723-0438		RUBBER SEAL	2
10	719-0326		SCREEN	1
11	712-3004A		HEX FLANGE LOCK NUT 5/16-18	4
12	712-0421		KNOB 5/16-18 X .70	3
13	712-0384		HEX LOCK NUT 1/2-13	2
14	710-3008		HEX HEAD CAP SCREW 5/16-18 X .75	2
15	710-1268		HEX WASH TAPP-B SCREW #10-16 X .38	2
16	710-0896		HEX IND. WASH-AB SCREW 1/4-14 X .625	1
17	710-0772		HEX CAP SCREW 5/16-24 X 2.00	3
18	710-0604		HEX IND. WASH-TT SCREW 5/16-18 X .62	18
19	710-0382		HEX CAP SCREW 1/2-13 X 5.00	2
20	681-0098		FLAIL HOUS. ASM. INNER	1
21	681-0060		FLAIL HOUS. ASM. OUTER	1
22	629-0241A	N	WIRE HARNESS	1

Models 103A and 203B



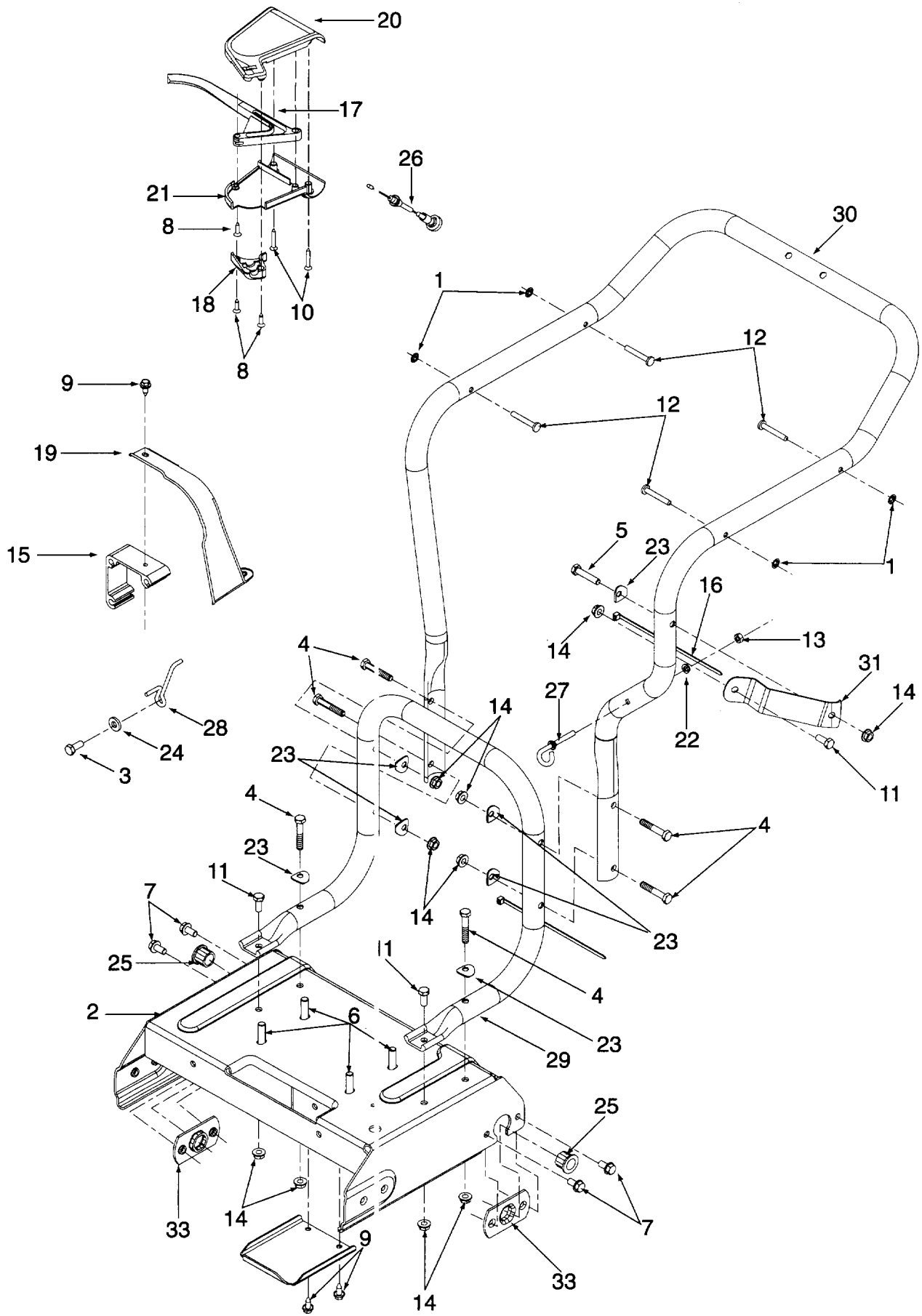
REF. NO.	PART NO.	CODE	DESCRIPTION	QTY.
1	631-0048		NOZZLE ASSEMBLY	1
2	631-0049		DOOR ASSEMBLY	1
3	710-0258		HEX CAP SCREW 1/4-20 x .625	4
4	710-0969		PHILLIPS TRUSS SCREW-HI-LO #12 x 1.00	2
5	712-0431		FLANGED LOCK NUT 3/8-16	2
6	712-3027		HEX FLANGED LOCK NUT 1/4-20	4
7	720-0190		HEIGHT ADJUSTMENT KNOB	2
8	731-1831		NOZZLE FLAP	1
9	731-1838		DISCHARGE CHUTE	1
10	732-0754		SPRING LEVER	2
11	736-0173		FLAT WASHER .28 - .74id. .063od.	4
12	736-3084		FLAT WASHER .510 - 1.120 x .060	2
13	738-0913		SHOULDER SCREW .5 x .545 x 3/8-16	2
14	764-0492		3 BUSHEL BAG	1
15	781-0702		INDEX DOOR BRACKET RH	1
16	781-0703		INDEX DOOR BRACKET LH	1
17	781-0704		NOZZLE REINFORCMENT BRACKET RH	1
18	781-0705		NOZZLE REINFORCMENT BRACKET LH	1

Model 203B



REF. NO.	PART NO.	CODE	DESCRIPTION	QTY.
1	10622B		PLASTIC RACHET SPRING	4
2	634-0136		WHEEL ASSEM. COMPLETE	2
3	681-0088		PIVOT BRACKET	2
4	710-0194		HEX CAP SCREW 3/8-16 x 3in	2
5	712-0431		FLANGED LOCK NUT 3/8-16	2
6	712-0456		HEX NUT 1/4-20	4
7	712-3027		HEX FLANGED LOCK NUT 1/4-20	4
8	714-0104		INTERNAL COTTER PIN .072x1.12lg	2
9	734-1804		WHEEL	2
10	736-0366		FLAT WASHER 5/8 id 1.00 od	4
11	748-0188B		PAWL LH .345 id	2
12	748-0318		RACHET, WHEEL 1.62 od x .5 SERR.	2
13	748-0381		PAWL RH .345 id	2
14	750-1042		SPACER .384 id x .500 od x 2.3	2

Model 203B

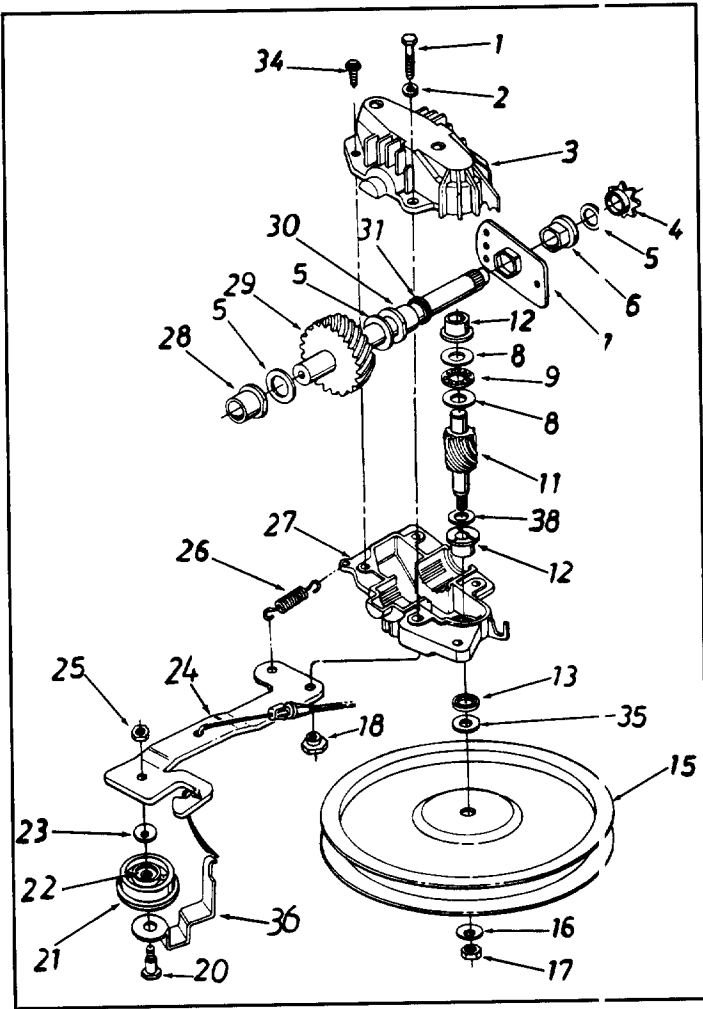


Model 203B

REF. NO.	PART NO.	CODE	DESCRIPTION	QTY.
1	1539-019		PUSH NUT .250	4
2	681-0097	N	FRAME ASSEMBLY	1
3	710-0157		HEX CAP SCREW 5/16-24 .75	1
4	710-0380		HEX CAP SCREW 5/16-18 1.75	6
5	710-0442		HEX CAP SCREW 5/16-18 1.50	1
6	710-0502A		SELF TAP SCREW 3/8-16 x 1.25	4
7	710-0604		SELF TAP SCREW 5/16-18 x .62	4
8	710-0841		SCREW #10-12 x .75	3
9	710-0896		HEX SCREW 1/4-14 x .625	3
10	710-1256		HEX LOCK SCREW 8-18 x 1.25	2
11	710-3008		HEX CAP SCREW 5/16-18 x .75	3
12	711-0737		STUD PIN .250 x 1.75	4
13	712-0138		HEX NUT 1/4-28	1
14	712-3004A		HEX FLANGE LOCK NUT 5/16-18	10
15	719-0359	N	ENGINE MOUNTING ADAPTER	1
16	725-0157		CABLE TIE	2
17	731-0620		DRIVE CONTROL LEVER	1
18	731-1059		CABLE MOUNTING CAP	1
19	731-1646		BELT COVER	1
20	731-1735		UPPER CLUTCH COVER	1
21	731-1736		LOWER CLUTCH COVER	1
22	736-0329		LOCK WASHER 1/4	1
23	736-0451		SADDLE WASHER .320 id x .83 od	7
24	736-3008		FLAT WASHER .344 x .750 x .120	1
25	741-0413		FLANGE BEARING	2
26	746-0714		CLUTCH CABLE 56.00	1
27	747-0815		EYE BOLT	1
28	747-0929		BELT KEEPER	1
29	749-0980		LOWER HANDLE	1
30	749-0996	N	UPPER HANDLE	1
31	781-0647		DISCHARGE CHUTE STABILIZER BRACKET	1
32	781-0697		TRANSMISSION COVER	1
33	781-0700		AXLE BRACKET	2

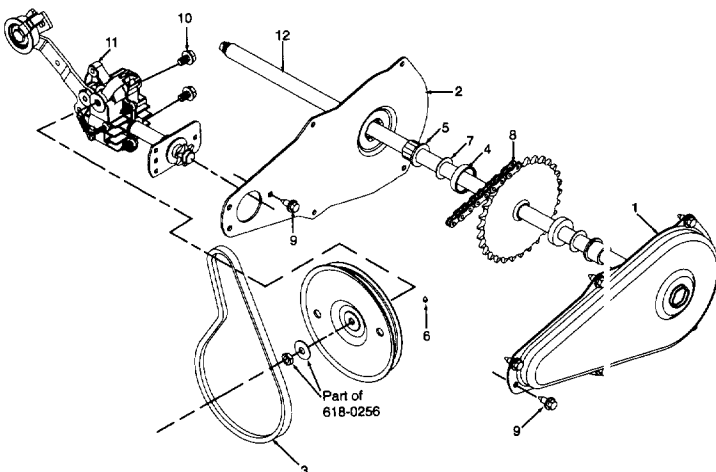
Model 203B

DETAIL VIEW



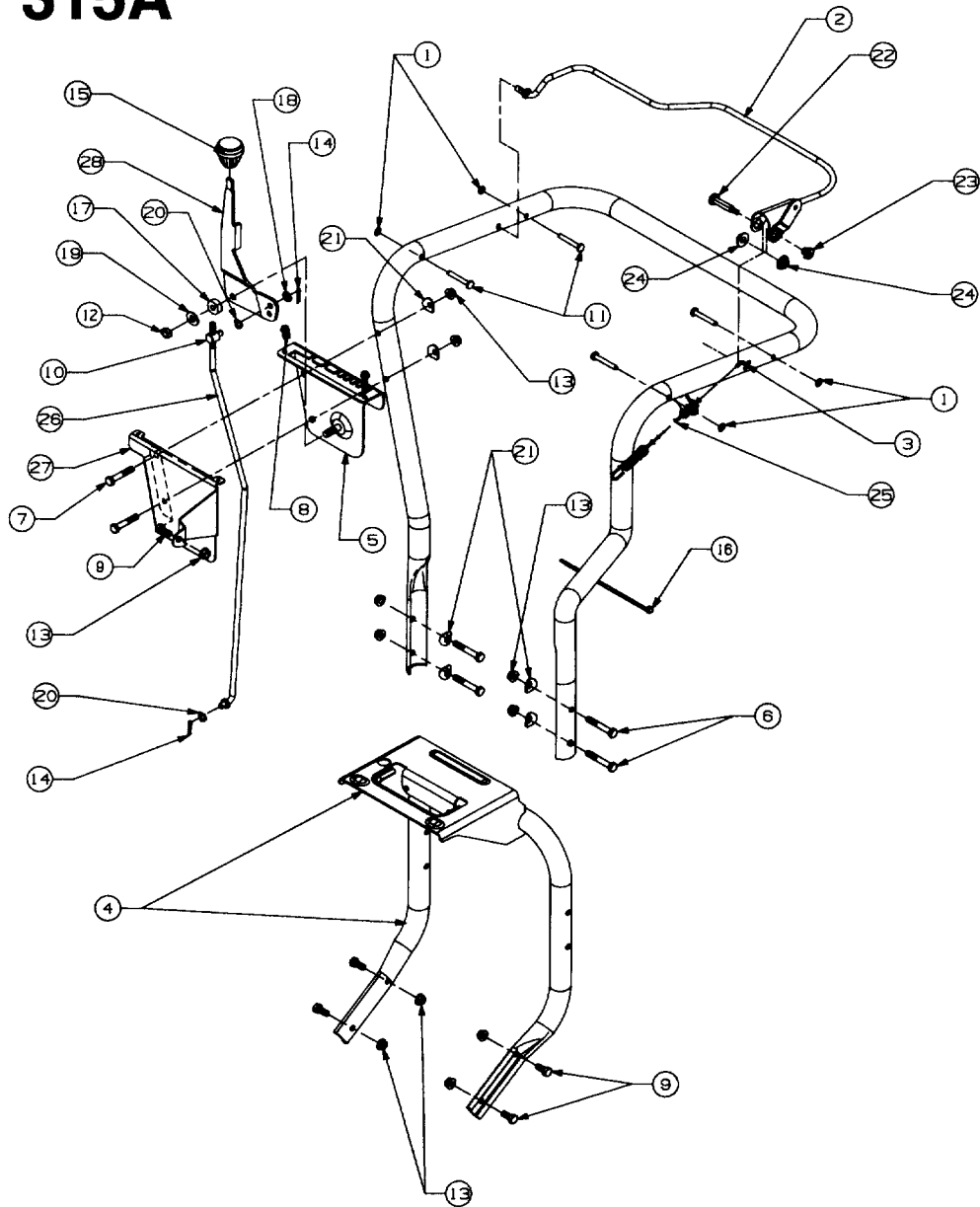
REF. NO.	PART NO.	CODE	DESCRIPTION
1	710-1062		Hex Bolt 1/4-20 x 1.25" Lg. w/Patch
2	726-0329		L-Wash. 1/4" I.D.*
3	719-0324A	N	Upper Hsg. Half
4	711-1118		6 Tooth Sprocket†
5	736-0336		Fl-Wash. 5/8" I.D. x .030
6	741-0413		Hex Flange Brg. .631" I.D.
7	16500A		Hex Bearing Cup
8	736-0314		Thrust Wash. .382" I.D. x .70" O.D.
9	741-0479		Thrust Bearing .375" I.D. x .812" O.D.
11	717-1433		10 Tooth Helical Gear
12	748-0208A		Flange Bearing
13	721-0329		Oil Seal
15	756-0618		Fl-Pulley 5.06" I.D.†
16	736-0270		Bell-Wash. .265" I.D. x .75"†
17	712-3045		Hex Nut 1/4-28 L.H. Thd.†
18	738-0440		Shld. Spacer .375" Dia. x .170"†
20	738-0826		Shld. Bolt .375" Dia. x .40"†
21	656-0008		Fl-Idler Plastic 1.50" Dia.†
22	741-0556		Needle Brg. .375" x .31"†
23	736-0270		Bell-Wash. .265" I.D. x .75"†
24	782-7570		Idler Brkt. Ass'y.†
25	712-0138		Hex patch L-Nut 1/4-28 Thd.†
26	732-0357A		Extension Spring 1.12" Lg.†
27	719-0325		Lower Hsg. Half
28	741-0415		Flange Bearing .56 Dia.
29	717-1432		34T: Helical Gear
30	741-0414		Flange Bearing .629 Dia.
31	721-0213		Oil Seal .625 Dia.
34	710-0436		Hex B-Tap Scr. #10 x .62"
35	736-0425		Hex Washer .26" x .88"†
36	782-7569		Belt Keeper†
37	717-1029		Transmission Comp.
38	736-0520		Fl-Wash.

†Not Part of Transmission Complete



REF. NO.	PART NO.	CODE	DESCRIPTION	QTY.
1	781-0677		CHAIN CASE LH	1
2	781-0676		CHAIN CASE RH	1
3	754-0457		V-BELT 3/8 x 24.68	1
4	748-0313		SPACER .630 x 1.25 x .290	2
5	741-0413		HEX FLANGE BEARING .631 x .720	2
6	737-0223		BEALENE GREASE	1
7	736-0336		FLAT WASHER 5/8 x 1.00 x .030	1
8	713-0422	N	CHAIN #41 x.500	1
9	710-0896		HEX WASH HD. AB-TAP SCREW 1/4-20 x .625"	7
10	710-0603		HEX WASH HD. TYPE B SCREW 5/16-18 x .50"	2
11	618-0256		TRANSMISSION ASS'Y. (SEE DETAIL ABOVE)	1
12	611-0063	N	SHAFT: AXLE ASSEMBLY	1

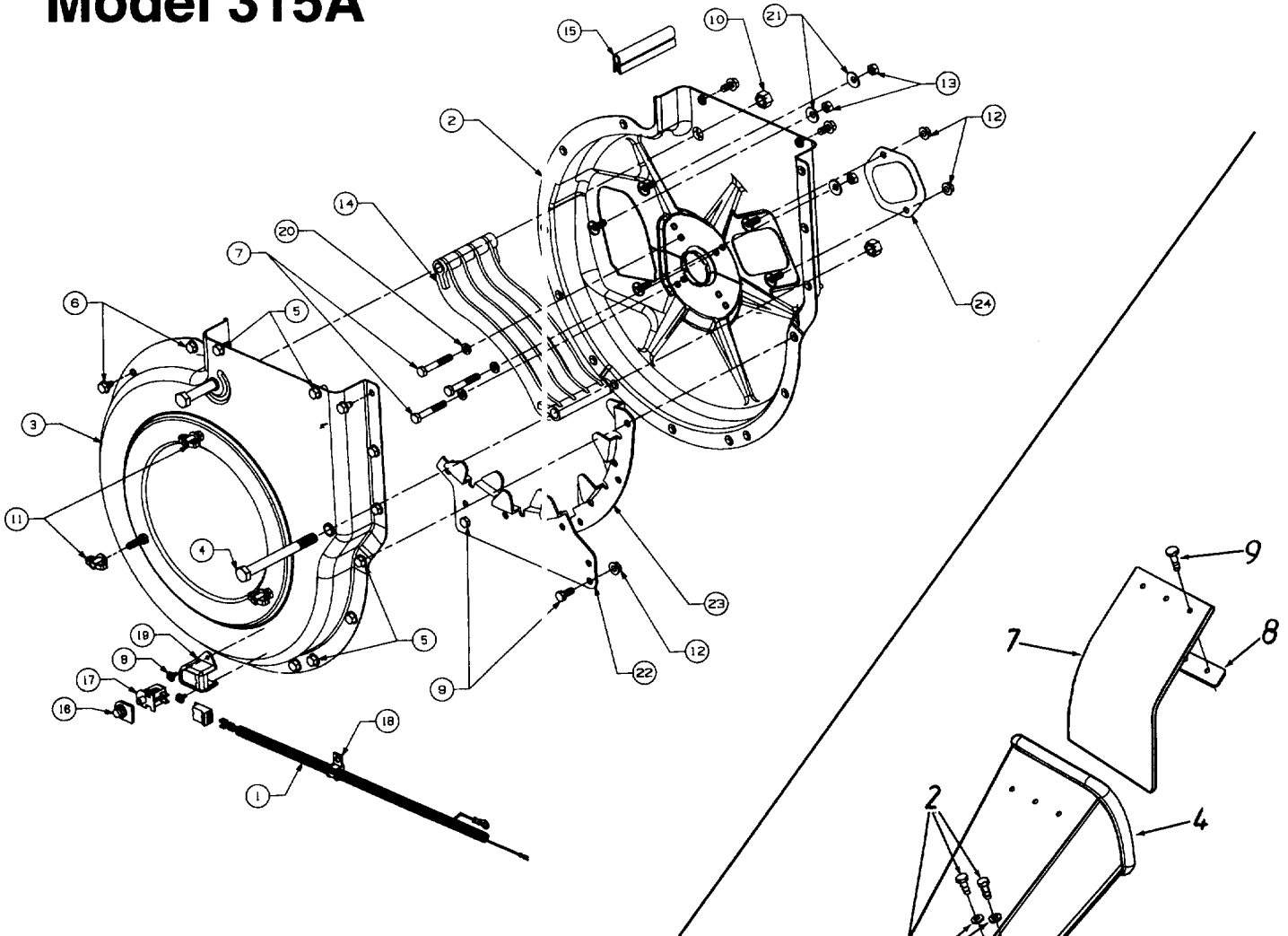
Model 315A



EF. O.	PART NO.	DESCRIPTION	QTY.	REF. NO.	PART NO.	DESCRIPTION	QTY.
1	1539-019	PUSH NUT	4	15	720-0232	KNOB-SHIFT	1
2	647-0019	CONTROL ASSY	1	16	725-0157	CABLE TIE	1
3	649-0008	HANDLE ASSY-UPPER	1	17	735-0126	WASHER-RUBBER	1
4	649-0012	HANDLE ASSY-LOWER	1	18	736-0117	WASHER-FLAT	1
5	681-0076	BRACKET ASSY-SHIFT	1	19	736-0300	WASHER-FLAT	1
6	710-0116	SCREW-HEX	4	20	736-0413	WASHER-SPRING	2
7	710-0380	SCREW-HEX	2	21	736-0451	WASHER-SADDLE	6
8	710-0896	SCREW-HEX	2	22	738-0560	SCREW-SHOULDER	1
9	710-3008	SCREW-HEX	5	23	738-0561	NUT-SHOULDER	1
10	711-0677	FERRULE	1	24	741-0402	BEARING-FLANGE PLASTIC	2
11	711-0737	PIN-STUD	4	25	746-0921	CABLE-CLUTCH	1
12	712-0116	NUT-HEX LOCK	1	26	747-0626	ROD-SHIFT	1
13	712-3004A	NUT-HEX LOCK	11	27	781-0626	COVER-SHIFT	1
14	714-0104	PIN-COTTER	2	28	784-0297A	HANDLE-SHIFT	1

COLOR CODES: 788-0637—BLACK 788-0662—OYSTER GRAY

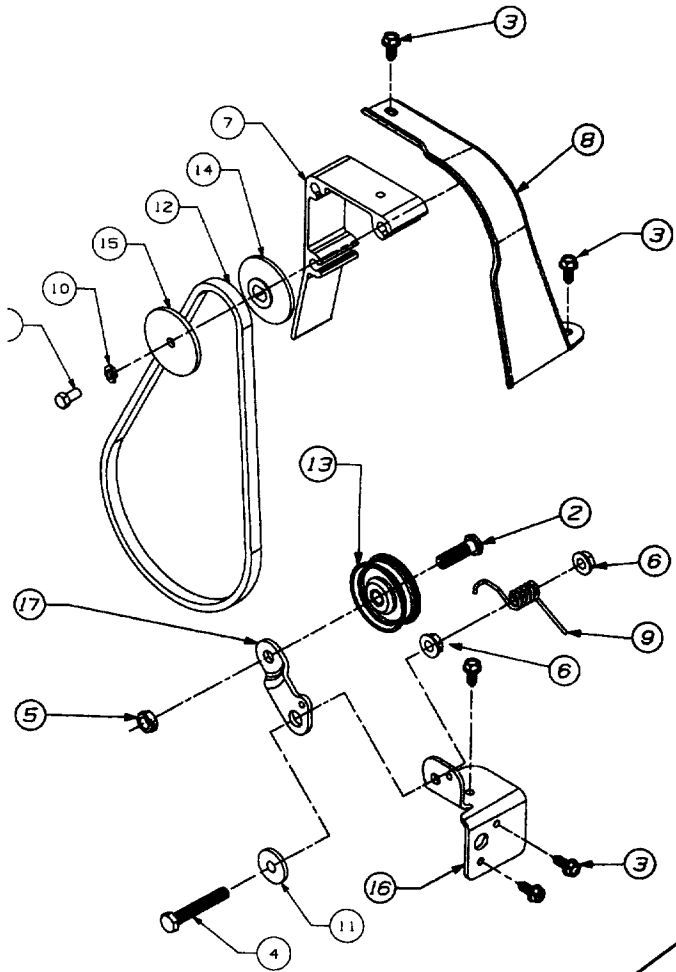
Model 315A



REF. NO.	PART NO.	DESCRIPTION	QTY.
1	629-0241	HARNES-CHIPPER VAC	1
2	681-0059	HOUSING ASSY—INNER	1
3	681-0060	HOUSING ASSY—OUTER	1
4	710-0382	SCREW-HEX	2
5	710-0604	SCREW-HEX SELF TAP	10
6	710-0607	SCREW-HEX SELF TAP	8
7	710-0772	SCREW-HEX	3
8	710-1268	SCREW-HEX SELF TAP	2
9	710-3008	SCREW-HEX	2
10	712-0384	NUT-HEX LOCK	2
11	712-0421	KNOB	3
12	712-3004A	NUT-HEX LOCK	4
13	712-3010	NUT-HEX (GR 5)	3
14	719-0326	SCREEN	1
15	723-0438	SEAL-RUBBER	2
16	725-1700	COVER-SWITCH	1
17	725-3166	SWITCH	1
18	726-0272	CLAMP	1
19	731-1613	COVER SWITCH	1
20	736-0119	WASHER-LOCK	3
21	736-0242	WASHER-BELL	3
22	781-0598	BLADE-FLAIL HOUSING	1
23	781-0599	BLADE-FLAIL HOUSING	1
24	781-0627	COVER-CHIPPER	1

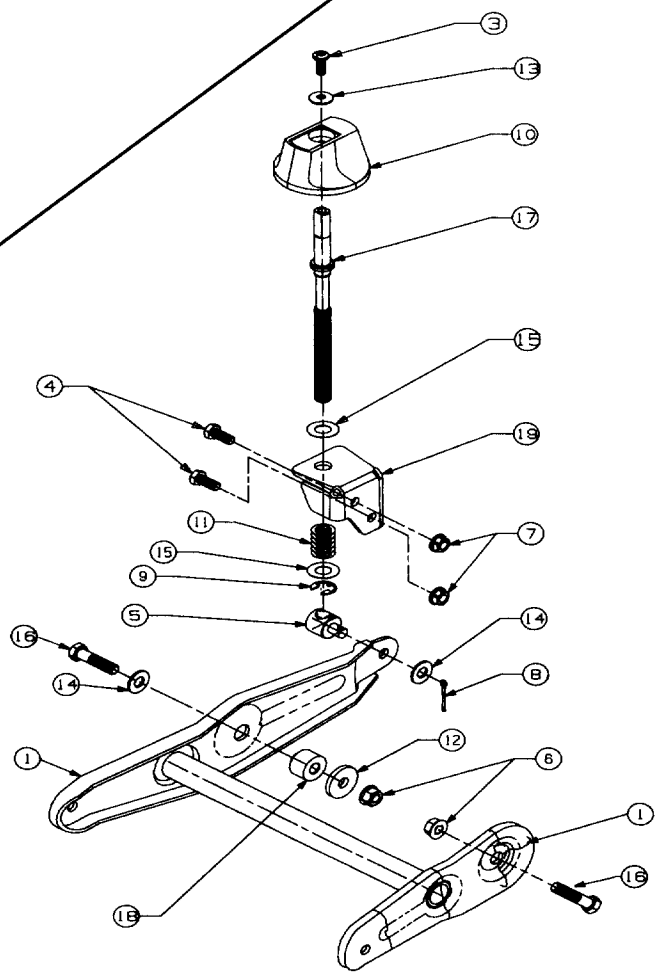
REF. NO.	PART NO.	DESCRIPTION	QTY.
1	681-0068	CHUTE ASSEMBLY	1
2	710-0258	SCREW HEX	5
3	712-3027	NUT-LOCK	5
4	731-1574	CHUTE-CHIPPER UPPER	1
5	736-0173	FL-WASH. .28" I.D. x .73" O.D.	5
6	781-0625	BRACKET SUPPORT	1
7	735-0249	FLAP	1
8	781-0633	STRIP-FLAP	1
9	728-0175	RIVET	3
—	731-1617	TAMPER PLUG (Not Shown—Optional)	1

Model 315A



REF. NO.	PART NO.	DESCRIPTION	QTY.
1	710-0230	SCREW-HEX	1
2	710-0723	SCREW-HEX	1
3	710-0896	SCREW-HEX	5
4	748-0234	NUT-HEX SHOULDER	1
5	712-0266	NUT-HEX LOCK	1
6	712-3004A	NUT-HEX LOCK FLANGE	1
7	719-0330	ADAPTER-MOUNTING	1
8	731-1584	COVER-BELT	1
9	732-0745	SPRING-TORSION	1
10	736-0329	WASHER-LOCK	1
11	716-0646	HEX HEAD SCREW	1
12	754-0256	V-BELT	1
13	756-0313	IDLER-FLAT	1
14	756-0986	PULLEY HALF	1
15	756-0987	PULLEY HALF	1
16	781-0611	BRACKET-IDLER PIVOT	1
17	781-0614	BRACKET-IDLER	1

COLOR CODES:
 788-0637 BLACK
 788-0662 OYSTER GRAY

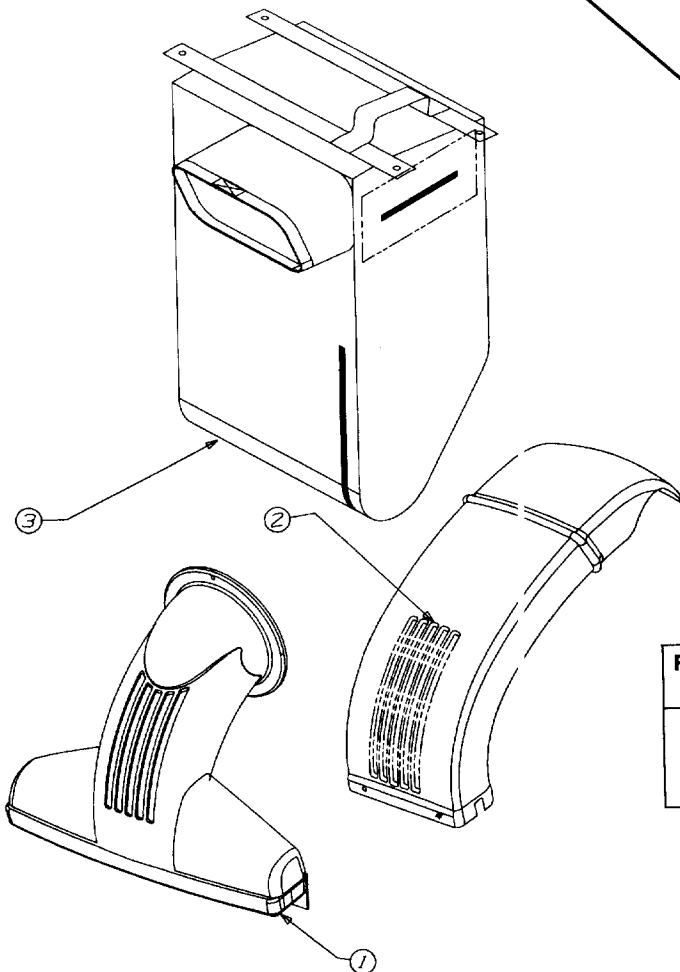
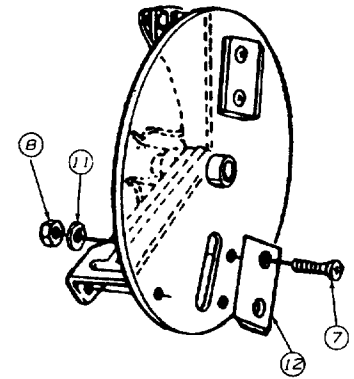
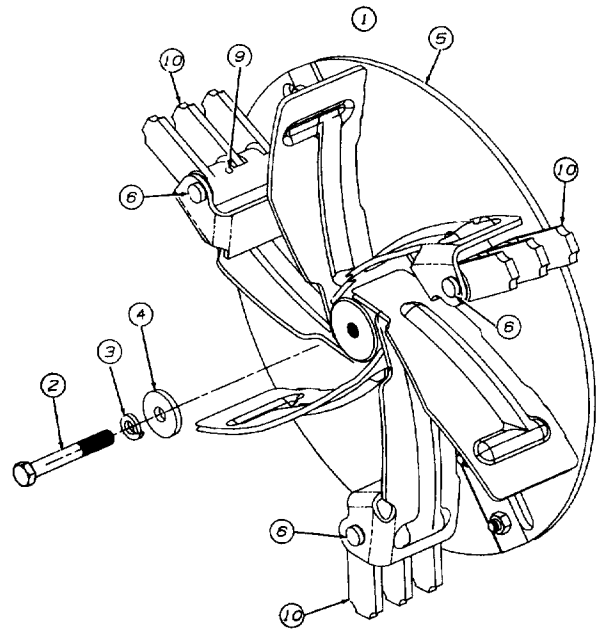


REF. NO.	PART NO.	DESCRIPTION	QTY.
1	681-0096	BRKT ASSY—WHEEL PIVOT	1
3	710-0924	SCREW-MACHINE PAN HD	1
4	710-3008	SCREW-HEX	2
5	711-1041	FERRULE—ADJUSTABLE	1
6	712-0431	NUT-HEX FLANGE LOCK	2
7	712-3004A	NUT-HEX FLANGE	2
8	714-0115	PIN-COTTER	1
9	716-0104	RING-E	1
10	720-0236	KNOB-PLASTIC	1
11	732-0645	SPRING-COMPRESSION	1
12	736-0247	WASHER-FLAT	1
13	736-0270	WASHER-BELL	1
14	736-0300	WASHER-FLAT	2
15	736-0369	WASHER-FLAT	2
16	738-0955	SCREW-SHOULDER	2
17	747-0631	ROD-ADJUSTABLE	1
18	711-0242	SPACER	1
19	781-0605	BRACKET-HEIGHT ADJ	1

COLOR CODES:
 788-0637 BLACK
 788-0662 OYSTER GRAY

Model 315A

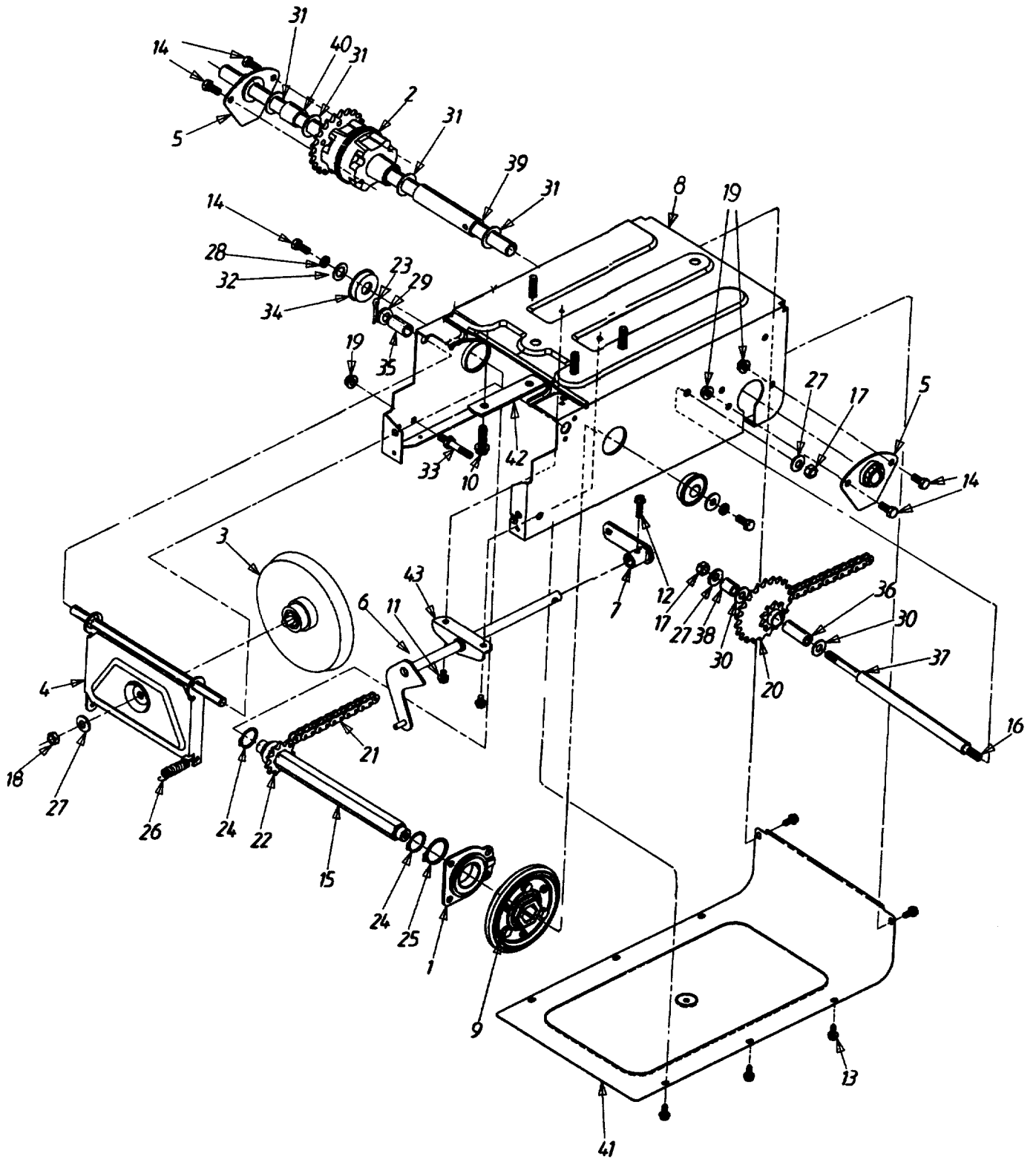
REF. NO.	PART NO.	DESCRIPTION	QTY.
1	681-0051	IMPELLER ASS'Y COMP.	1
2	710-1273	SCREW-HEX	1
3	736-0217	WASHER-LOCK	1
4	736-0247	WASHER-FLAT	1
5	681-0078	IMPELLER ASSY	1
6	711-0833B	PIN-CLEVIS	3
7	710-1054	SCREW-FLAT HEAD	4
8	712-0411	NUT-HEX LOCK	4
9	715-0162	PIN-ROLL SPRING	3
10	719-0329	BLADE-FLAIL	3
11	736-0119	WASHER-LOCK	4
12	742-0544	BLADE-CHIPPER	4
	781-0490	BLADE-CHIPPER	4



REF. NO.	PART NO.	DESCRIPTION	QTY.
1	631-0029	NOZZLE ASS'Y.-VACUUM	1
2	731-1616	CHUTE-DISCHARGE	1
3	764-0474	BAG-VACUUM	1

COLOR CODES:
 788-0637 BLACK
 788-0662 OYSTER GRAY

Model 315A



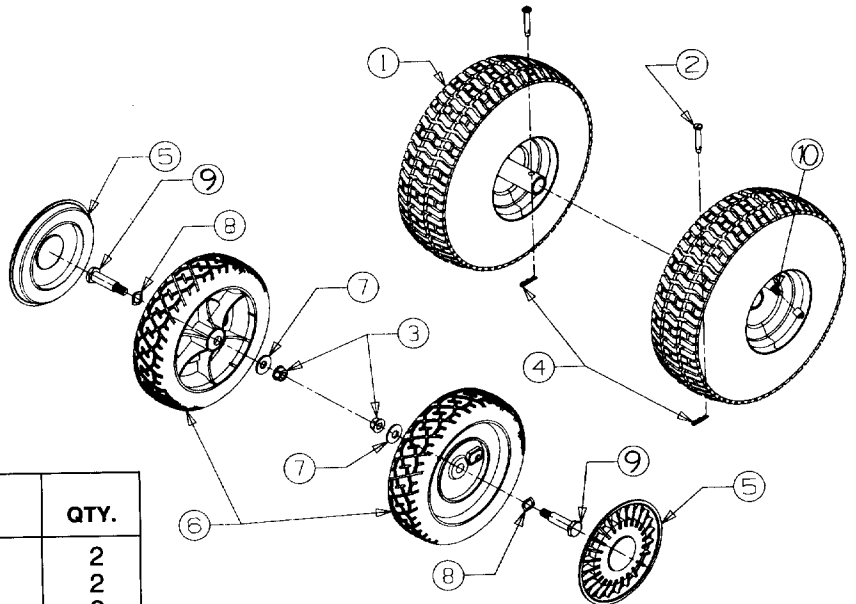
Model 315A

REF. NO.	PART NO.	DESCRIPTION	QTY.	REF. NO.	PART NO.	DESCRIPTION	QTY.
1	618-0063	BEARING ASSY-FRICTION WHEEL	1	20	713-0330	SPROCKET & HUB	1
2	618-0168	DIFFERENTIAL ASSY COMP.	1	21	713-0374	CHAIN	1
3	656-0009	DISC-FRICTION WHEEL ASSY COMP.	1	22	713-0415	SPROCKET 11T	1
	756-0648A	DISC-FRICTION WHEEL		23	714-0474	PIN-COTTER	1
	738-0865	BOLT-SHOULDER		24	716-0102	RING-SNAP	2
	741-0600	BEARING-BALL		25	716-0185	RING-SNAP	1
4	681-0055	BRACKET ASSY-SUPPORT	1	26	732-0264	SPRING-EXTENSION	1
5	681-0058	BRACKET ASSY-AXLE	2	27	736-0105	WASHER-BELL	3
6	681-0069	SHAFT ASSY-SHIFT	1	28	736-0119	WASHER-LOCK	2
7	681-0072	ARM ASSY-SHIFT	1	29	736-0160	WASHER-FLAT	1
8	681-0073	FRAME ASSY	1	30	736-0267	WASHER-FLAT	2
9	684-0042	WHEEL ASSY-FRICTION	1	31	736-0287	WASHER-FLAT	4
10	710-0502A	SCREW-HEX SELF-TAP	4	32	736-3089	WASHER-FLAT	2
11	710-0653	SCREW-HEX WASHER	2	33	738-0908	BOLT-IDLER	1
12	710-0788	SCREW-HEX WASHER	1	34	741-0563	BEARING-BALL	2
13	710-0896	SCREW-HEX	8	35	748-0382	SPACER	1
14	710-3008	SCREW-HEX	6	36	750-0351	SLEEVE	1
15	711-1026	SHAFT-HEX	1	37	750-0978	SPACER	1
16	711-1028	SHAFT-JACK	1	38	750-0979	SPACER	1
17	712-0241	NUT-HEX	2	39	750-0980	SPACER	1
18	712-0711	NUT-HEX JAM	1	40	750-0981	SPACER	1
19	712-3004A	NUT-HEX FLANGE LOCK	5	41	781-0612	COVER-FRAME	1
				42	781-0638	PLATE-REINFORCEMENT	2
				43	784-5590	BRACKET-SHIFT	1

COLOR CODES:

788-0637 BLACK

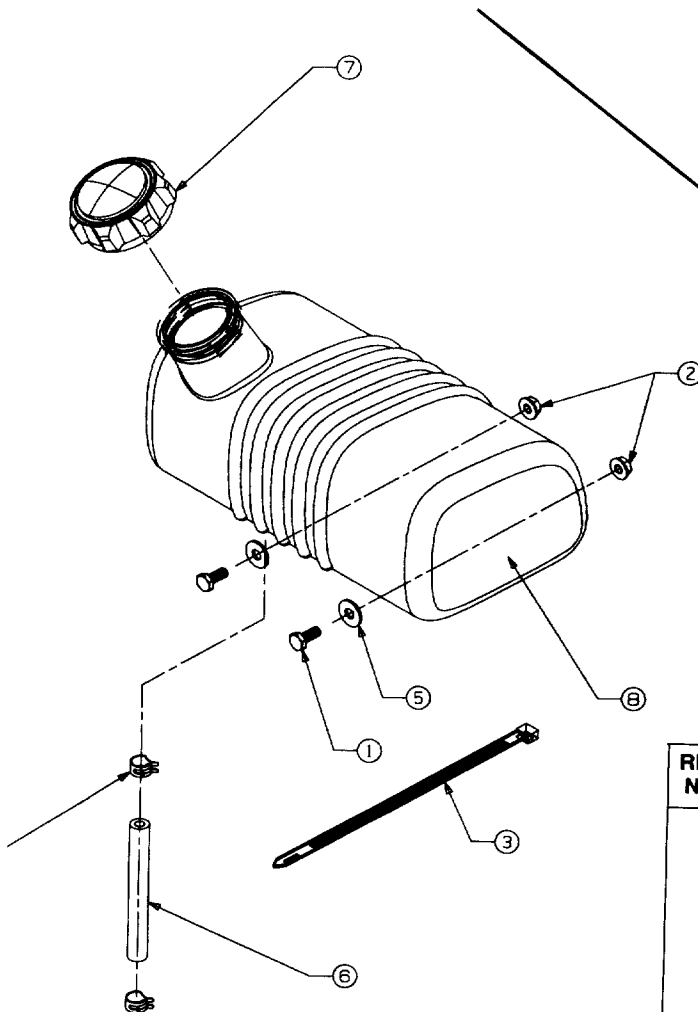
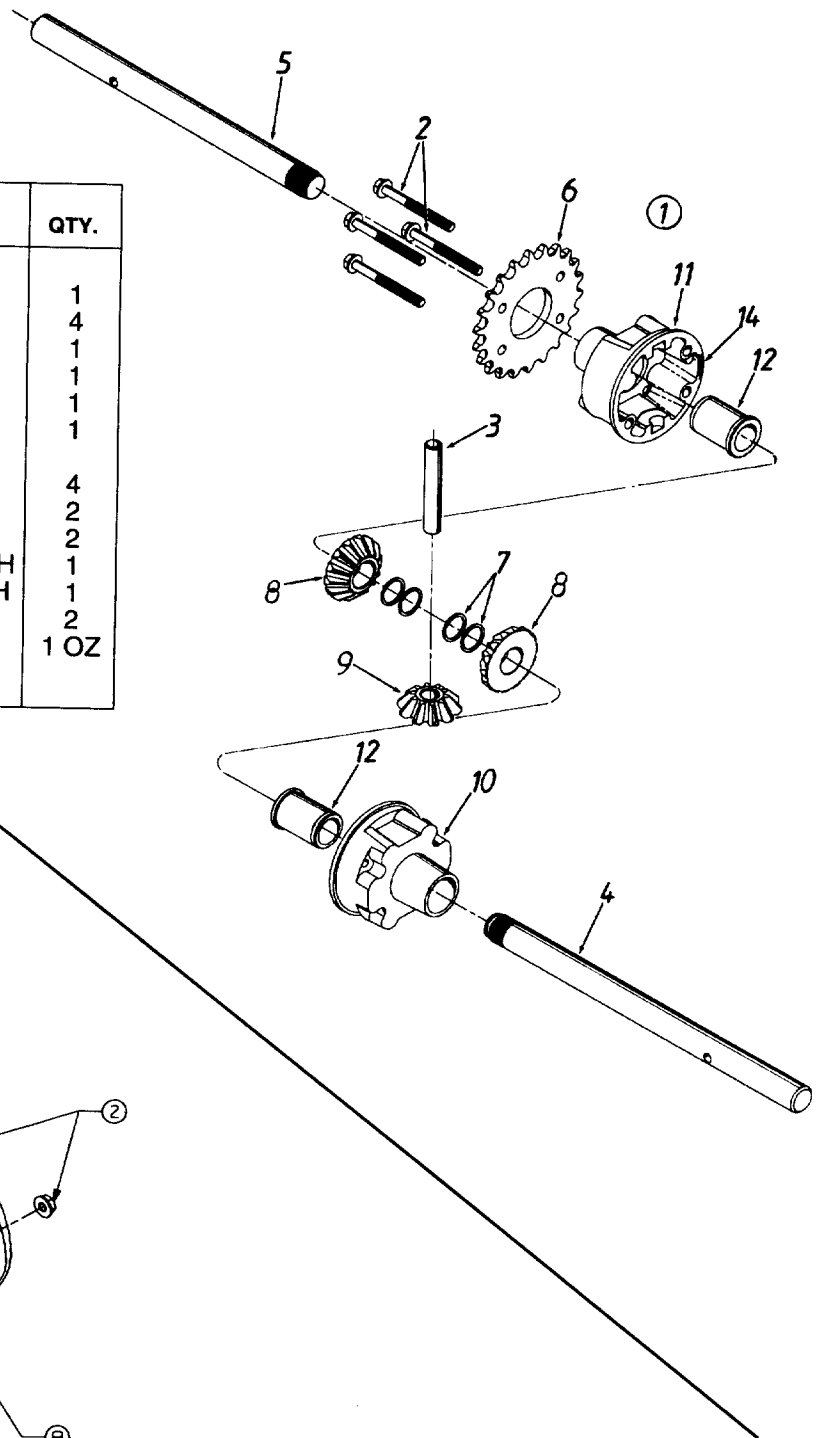
788-0662 OYSTER GRAY



REF. NO.	PART NO.	DESCRIPTION	QTY.
1	634-0118	WHEEL ASSY COMPLETE	2
	634-0101	RIM ASSY COMPLETE	2
	734-0210	TIRE PNEUMATIC	2
2	711-1017	PIN-CLEVIS	2
3	712-0431	NUT-HEX FLANGE	2
4	714-0104	PIN-COTTER	2
5	731-0981A	HUB CAP	2
	731-0355A	HUB CAP	2
6	734-1268	WHEEL	2
7	736-0105	WASHER-BELL	2
8	736-0232	WASHER-WAVE	2
9	738-0213	SCREW-SHOULDER	2
10	734-0255	VALVE STEM	2

Model 315A

EF. O.	PART NO.	DESCRIPTION	QTY.
1	618-0168	DIFFERENTIAL ASSY COMPLETE	1
2	710-1206	SCREW-HEX	4
3	711-1035	SHAFT-CROSS	1
4	711-1037	AXLE-SHAFT 10.95" LONG	1
5	711-1038	AXLE-SHAFT 9.82" LONG	1
6	713-0445	SPROCKET 22 T	1
7	716-0232	RING-RETAINING (2 PER AXLE)	4
8	717-1358	GEAR-DIFFERENTIAL 14T	2
9	717-1437	GEAR-DIFFERENTIAL 10T	2
0	719-0333	HOUSING-DIFFERENTIAL RH	1
1	719-0334	HOUSING-DIFFERENTIAL LH	1
2	748-0383	BEARING-FLANGE	2
3	737-0300	GREASE	1 OZ
4	—	SEALANT-LOCTITE 5699	



REF. NO.	PART NO.	DESCRIPTION	QTY.
1	710-0258	SCREW-HEX	2
2	712-3027	NUT-HEX LOCK FLANGE	2
3	726-0209	CABLE TIE	1
4	726-0205	CLAMP-HOSE	2
5	736-0173	WASHER-FLAT	2
6	751-0535-12	HOSE-FUEL LINE 12"	1
7	751-0603	CAP-FUEL	1
8	751-0610	TANK-FUEL 1 GALLON	1

