

SONY

3-786-231-11 (1)

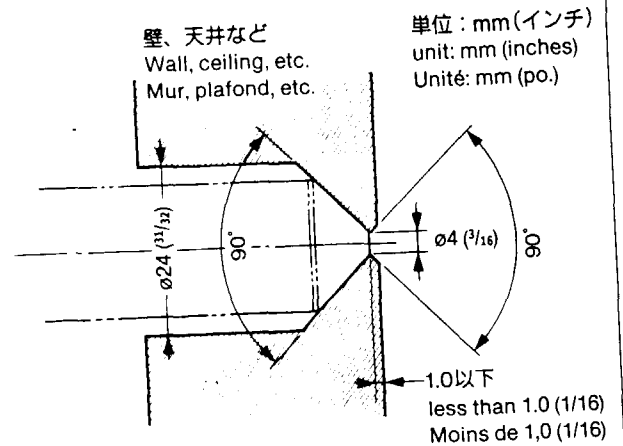
Pinhole Lens

VCL-06PH

取り付け穴寸法図

Dimensions of Installation Holes

Dimensions des orifices d'installation

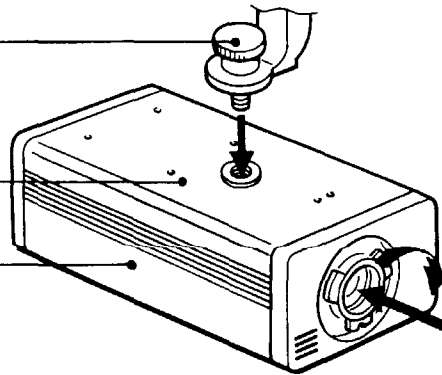


取り付けかた / Installation

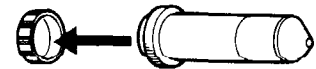
カメラブラケット
Camera bracket, etc.
Support de caméra, etc.

底面
Bottom
Socle

例 / Example / Exemple
HVM-331, HVM-332, HVM-334



レンズキャップをはずす。
Remove the lens cap from the pinhole lens.
Enlever le capuchon de l'objectif.



形状を合わせて差し込み。
右に回してカメラに固定する。
Align and insert, then turn clockwise to fasten.
Aligner et insérer puis tourner dans le sens contraire des
aiguilles d'une montre pour serrer.

English

By attaching this pinhole lens to a video camera*, the security of a room, store, etc., can be monitored without the camera being noticed.

- Compact for easy installation on a wall, ceiling, etc.
- The bright lens system (F 1.8) results in a picture with little deterioration of sensitivity.

* Camera to which the pinhole lens can be attached:

NTSC: Sony HVM-332, HVM-302, etc.

PAL: Sony HVM-334, HVM-314S, HVM-304, etc.

Notes on Installation

- When installing on a wall, ceiling, etc., be sure to fix the camera with the tripod screws, etc., and not the pinhole lens.
- Since the picture on the monitor becomes upside down when the pinhole lens is attached to the camera, install the camera upside down, as illustrated.
- Be careful not to damage the glass at the both ends of the pinhole lens.

Specifications

f	≈ 5.95 mm, F = 1.8 (when attached to the camera)
Picture angle	Approx. 56 degrees (horizontal) Approx. 43 degrees (vertical)
Lens structure	7 groups, 9 elements
Mount	Special bayonet mount
Dimensions	Ø 30 × 78 mm (Ø 1 ³ / ₁₆ × 3 ¹ / ₈ inches) incl. projecting parts
Weight	Approx. 71 g (2.5 oz)
Supplied accessory	Lens cap (1)