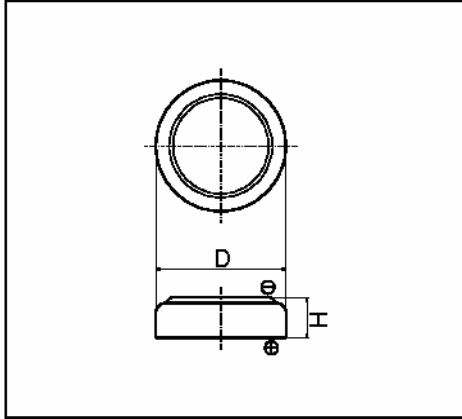


Cell Type ML414R Specifications



Nominal Capacity ^{*1}		0.1mAh
Nominal Voltage		3V
Standard Charge/Discharge Current		0.005mA
Max. Discharge Current	Continuous ^{*2}	0.02mA
	Pulse ^{*3}	0.05mA
Charge/Discharge Cycle Characteristics	Discharging Depth of 100%	100
Charging Method	Constant Voltage Charge	3.1±0.15V
	High Temperature	2.95±0.15V
Temperature Range		-20°C~60°C
Weight		0.07g
Dimensions	Diameter(D)	4.8mm
	Height(H)	1.4mm
Reflow Temperature		240°C

*1 Nominal capacity is determined to an end voltage of 2.0V when the battery is allowed to discharge at a standard current level at 23°C.

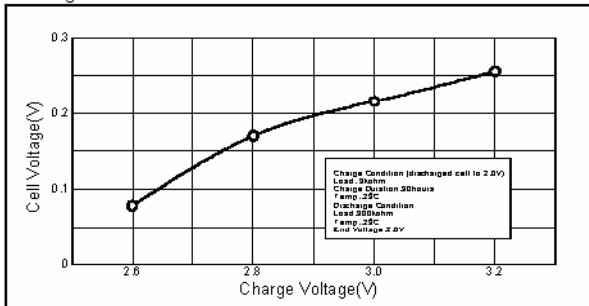
*2 Current value is determined so that 50% of the nominal capacity is obtained with an end voltage of 2.0V at 23°C.

*3 Current value for obtaining 2.0V cell voltage when 15sec. pulse is applied at 50% discharge depth at 23°C.

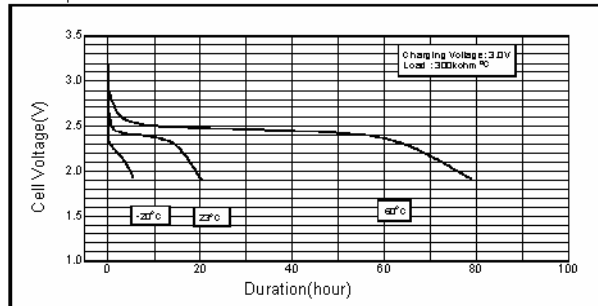
* ML414R is capable of reflow soldering. Consult Sanyo about the reflow condition.

Typical Characteristics

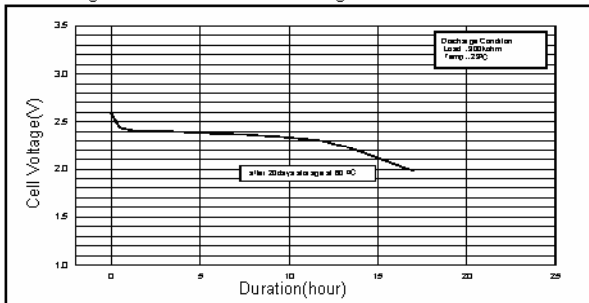
Charge Characteristics of ML414R



Temperature Characteristics of ML414R



Discharge Characteristics after storage of ML414R



Discharge Characteristics after Over-Discharge of ML414R

