

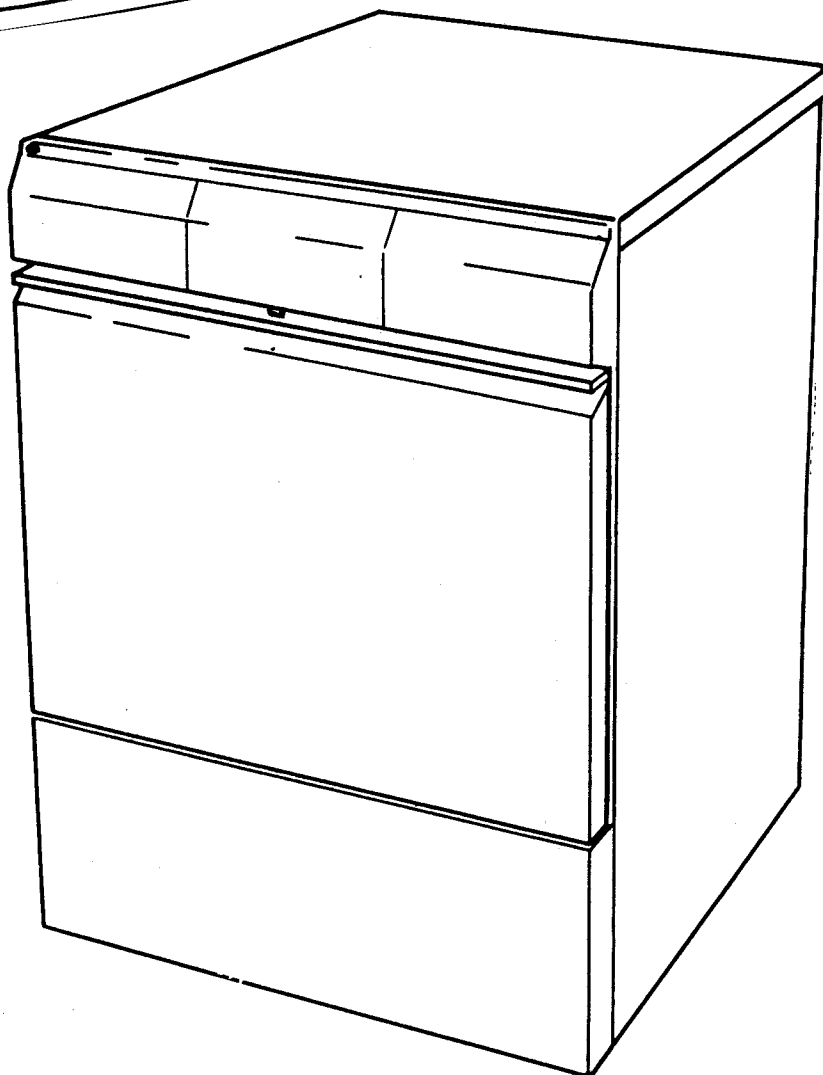
How to use your tumble dryer

7304

Important:

Read all instructions before using the appliance.
The machine must be installed by a qualified
electrician.

WARNING—To reduce the risk of fire, electric shock, or
injury to persons, read the **IMPORTANT SAFETY
INSTRUCTIONS** before operating this appliance.
SAVE THESE INSTRUCTIONS!



WARNING - Important!

Improper connection of the equipment grounding conductor can result in a risk of electric shock. Check with a qualified electrician or serviceman if you are in doubt as to whether the appliance is properly grounded.

This appliance must be grounded. The plug must be plugged into an appliance outlet that is properly installed and grounded in accordance with all local codes and ordinances.

Do not wash or dry articles that have been previously cleaned in, washed in, soaked in, or spotted with gasoline, dry-cleaning solvents, other flammable or explosive substances as they give off vapors that could ignite or explode.

Instructions for use

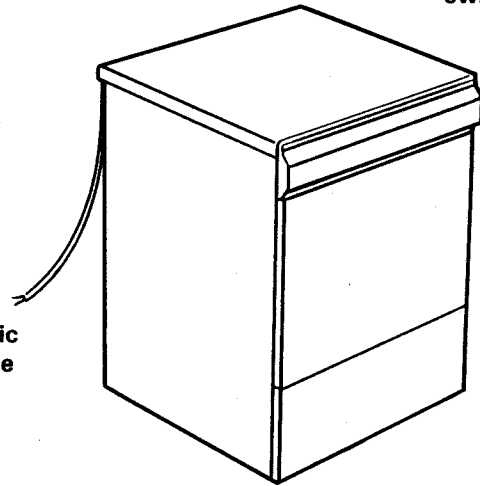
Follow the figures in the strip through these instructions for a brief summary of how to use the machine. Further details and hints are given below the strip.

Contents

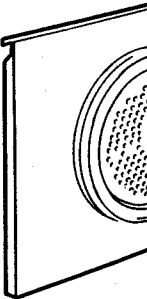
	Page
Instructions for use	2
Parts of the tumble dryer	2
Sorting fabrics	3
Which program to use?	4
What the control buttons do	4
Cleaning the lint filter	6
If the machine does not work	6
Specifications	7
Electrical Installation	7
Installation	8-10
To change the door opening	10
Safety	11
Warranty	11
Instructions summary	12

Parts of the tumble dryer

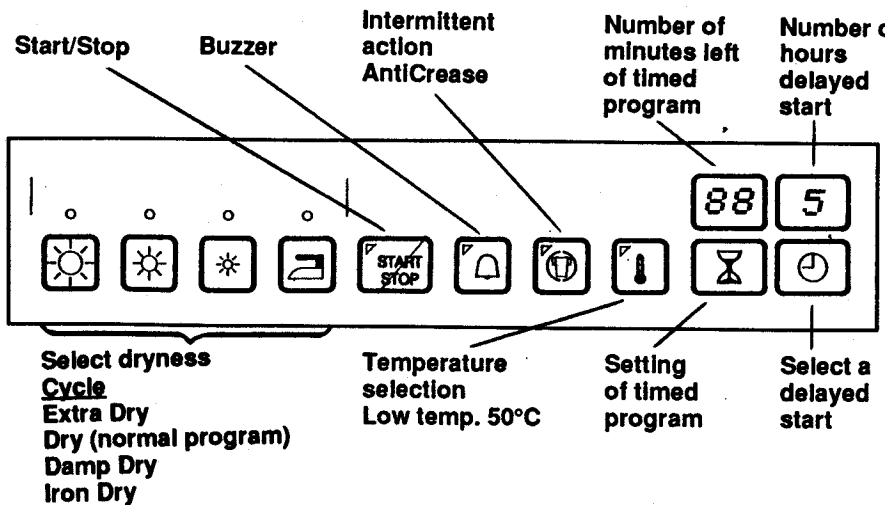
Main electric supply cable (see P. 11)



Indicator light which illuminates when the main switch is on.



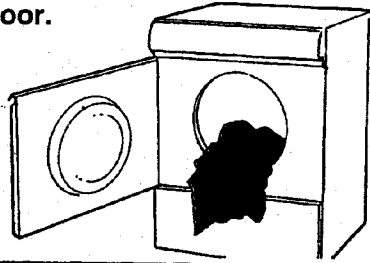
Control panel



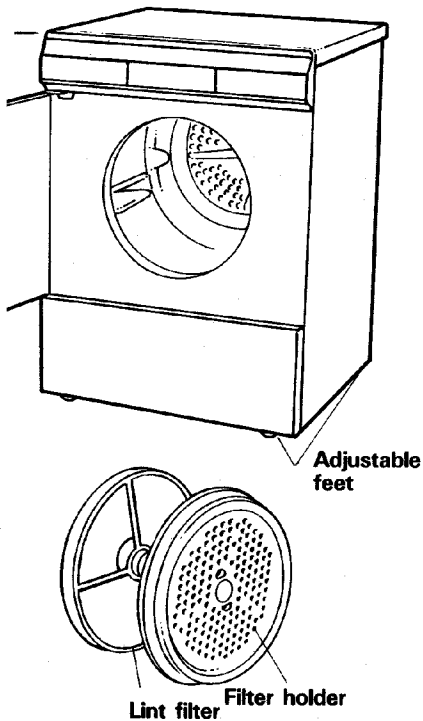
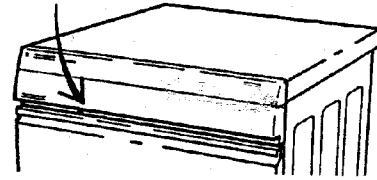
NOTE!

Items to be tumble-dried must first have been spin-dried, preferably at 800 rpm or more.

① Load the washing to be tumble-dried and close the door.



② Press the main switch. The indicator light will light.



Sorting fabrics

For the best drying results, clothes should be sorted properly. Separate the lint shredders (chenille and terry cloth) from the lint collectors (synthetics, flannel and fabrics with a nap, such as velveteen and corduroy). Separate non-colorfast from light colored items, heavy fabrics from light weight fabrics and permanent press from heavy, bulky items.

Do not tumble dry

Read all permanent care labels carefully. If a garment's care label says "Drip Dry", "Line Dry" or "Dry Flat", do not dry in the dryer. Certain materials will melt or become dangerously flammable if heated, while others may lose their shape. Other items that should not be tumble dried are:

- Items that have been dry-cleaned at home
- Wool (unless the garment's manufacturer recommends it)
- Fiberglass
- Laminated or rubber coated items
- Vinyl and plastic
- Do not use fabric softeners or products to eliminate static unless recommended by the manufacturer of the fabric softener or product.

Do not allow children to play on or in the appliance. Close supervision of children is necessary when the appliance is used near children.

Type of wasing	Recommended Load Size	Temp
White wash and coloreds (cotton, linen)	Suitable for washing equivalent to a FULL load from an Asko washing machine.	Normal
Synthetics Permanent press (polyester, cotton)	Suitable for washing equivalent to a HALF load from an Asko washing machine.	Normal
Delicate fabrics, hand-washed items Temperature-sensitive materials such as acrylic, rayon, acetate.	Suitable for washing equivalent to a HALF load from an Asko washing machine.	Low

3 Select

4 Select dryness



Automatic program

or

Timed program

4 Press the hour-glass button until you can see the required time in the window.



Which program should I use?

The program to use depends on what you want to do with the washing after tumble-drying. There are four automatic programs - Extra Dry, Dry, Damp Dry and Iron Dry - and a timed program, allowing you to determine the drying time yourself.

The pushbutton controls



Extra dry: When you want extra dry fabrics: This automatic program is intended for use with washing that is extremely difficult to dry, i.e. jeans with very thick seams. The heat is turned off when the washing is completely dry, and is followed by a cooling period of about 15 minutes.



Dry: For "ready-to-wear" dryness: This program turns off the heat when the washing is dry but not absolutely bone-dry. It is then cooled for about 15 minutes. This is the program to use when you want dry fabrics.



Damp Dry: This program is intended to leave a small amount of moisture in the clothes to allow small wrinkles to fall out when hung-up.



Iron Dry: For fabrics to be ironed: This program turns off the heat when the washing is just damp enough for ironing.



Program Start/Stop: You can stop any program at any point by pressing the Stop pushbutton for three seconds.



End of Cycle Signal: Press this button for a warning buzzer to sound when the program is finished. One hour after the end of the program the buzzer will sound once a minute. At the same time the cylinder will rotate to prevent wrinkling.



Anti-Crease: To help prevent wrinkles, this cycle enables the machine to tumble for three seconds every minute for one hour, or will stop if the clothes are removed before the hour has ended.



Low Temp: Use this button if low temperature is required.




Setting the time for the timed program: Press the TIME pushbutton. The machine responds by displaying 5 minutes in the window. By pressing the time pushbutton, you can increase the time in 5-minute intervals 10-15-20. After 20 minutes, the time increase is by 10 minute-intervals 30-40-50-60-70-80-90. All timed programs are followed by an automatic 15 minute cool down period.

The timed program is automatically set for low temperature. However, normal can be used by pushing the low temperature button one time. The light in the button will go out signifying normal temperature.



To air fabrics: Use the unheated program, which you obtain by pressing the time pushbutton until C appears in the display. This program can not be combined with any other program. Use this program to shake the dust out of garments, or to fluff them up.



Time-delayed start: Press the  pushbutton to set a starting time delay of 1-12 hours. Each time you press the button, a further hour's delay will be added and displayed.

5 Select other options:

6 Select a delayed start

7 Press START

Warning buzzer



Intermittent action



Low temperature (50°C)



Program details		Load**	Program	Energy Consumption*		Max. temp.
				2850 W	1900 W	
Automatic programs	Full load	Normal temp.	Extra Dry	3,1	3,4	60°C
			Dry / Damp Dry	2,9 / 2,8	3,2 / 3,0	
			Ironing Dry	2,6	2,8	
	Half load of temperature-sensitive fabrics	Low temp.	Extra Dry	1,3	1,4	50°C
			Dry / Damp Dry	1,2	1,3	
			Ironing Dry	1,1	1,2	
Timed program		5-90 min	0.3-4.5	0.2-3.0	50°C	
Airing program		C	0.05	0.05		

* Times and energy consumptions are as obtained by the methods specified by the Swedish National Board for Consumer Policies, i.e. the washing has been spin-dried at 800 r/min and the tumble dryer is in a ventilated room at a temperature of 20°C (68°F).

** Refers to full and half loads from the Asko washer.

Drying time

Drying time depends on many factors, such as the amount of washing, how damp it is, the type of fabrics, rated power of the machine and the temperature of the room. It also, of course, depends on how dry you want the washing when you take it out of the machine.

Shrinkage

Knitted fabrics in particular are liable to shrink. Do not use Extra Dry program for these materials, and always stretch them out directly after drying.

Dryer Added Fabric Softeners

Because some dryer added fabric softeners may cause damage to automatic dryers, use only ones that the manufacturers give a written assurance that their softener can safely be used in your dryer.

Single items

Use the timed program when there is only one item to be dried. This is because the automatic program may turn off the heating too early, so that the item is not properly dried.

If the washing is not dry after tumble-drying

When using the automatic programs, it can happen that not all of the washing is properly dry. This may be due to such reasons as very heavy fabrics or thick seams. To dry these items, give a further 10 minutes or so in the timed program. Also, do not overload the dryer. If a dryer is overloaded, its efficiency is lessened and clothes may not dry evenly.

Do not over-dry

When using the timed program, it is possible to over-dry fabrics, if too long a time has been set. This can cause the fabrics to wrinkle, shrink or feel harsh. Synthetic materials can also become charged with static electricity.

Permanent press hints

For the most wrinkle-free permanent press drying, only dry one half load at a time to assure enough room for items to tumble freely. Do not combine permanent press items with other very heavy clothes in the dryer. Remove clothes immediately after the dryer cycle is completed and either hang them up or lay them flat.

8 If you want to load more washing:

(If the door is open for more than three minutes, the machine will "forget" the preset program, and you must re-enter the program you want.)

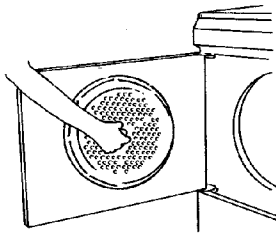
Open the door. The drum will stop automatically. Close the door to restart and press the START pushbutton.



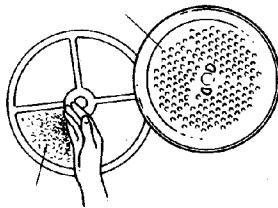
If you want to alter the program:
*Press START for three seconds. This stops and cancels the program that is running and you can then set the new program that you want.

- 9 When the machine has stopped:**
- Remove the washing
 - Clean the lint filter
 - Turn off the main switch

Cleaning the lint filter



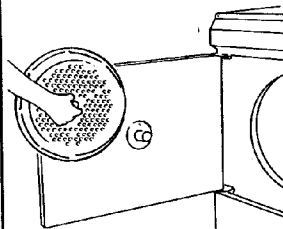
The lint filter must be cleaned after each time the machine has been used. If this is not done, drying performance will suffer, as insufficient air will pass through the drum. The machine may also overheat: this will cause it to stop automatically.



Clean the filter as follows:

1. Grasp the filter holder by the two holes near the center and pull it off the peg on which it is supported in the front door.

2. Take the filter out of the holder and brush away the lint in it by hand.



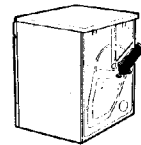
NOTE: Wear and tear of fabrics in a tumble dryer is insignificant. The lint caught in the lint filter is dust and fiber residue that has been formed when the garments have been used.

3. Replace the filter in the holder and refit the holder in position on the peg in the door.

Note! Clean lint collecting near the tumble dryer as it can be sucked into the air intake.

NOTE:
When you start the dryer for the first time, a slight rumbling may be heard during a short warming-up period. When the dryer is run-in, this sound will disappear.

If the machine does not work



The machine will not start

Check that:

- * The front door is properly closed.
- * The main On/Off pushbutton is pressed in.
- * You have set the required program or the required time correctly.
- * The electric plug is firmly inserted in its socket.
- * All fuses are intact.

If the machine still fails to start, it is probable that the automatic safety cutout has operated. It disconnects the power supply to the machine if the internal temperature rises excessively, i.e. if the lint filter is blocked by dust. Start by cleaning the filter, emptying the water container and cleaning the condenser. Reset the cutout by pressing the button on the back of the machine.

Excessive drying time

Check that the lint filter is not blocked. Excessive drying times can also be caused by the machine being installed in a very small space and by the air in the room (which cools the machine) becoming too warm. Make sure that the machine has a plentiful supply of cool air. Do not overload the dryer. Items to be tumble-dried must first have been spin-dried, preferably at 800 r/min or more.

Fault indication

The display window that shows the number of hours of delayed start can also display fault message:

- F2 - When the machine has run for a maximum time of 3 hours, it will stop automatically. Check that the fuse is intact. This fault indication can be indicating when running a small terry load. Always use Timed Program or Automatic Program Damp Dry by this type of load.
- F3 - This indicates an electric fault. Phone for service.
- F4 - Indicates a clogged fluff filter. This code will appear after the program has finished. Be sure to remove fluff filter and clean before running the next load of clothes.
- F5 - Indicates a fault with the moisture sensor. Call for an Authorized Asko Service Agent.

Specifications

Height	32 1/4" (820 mm)
Width	23 1/2" (595 mm) plus exhaust connection
Depth	23 1/2" (595 mm), including control panel and program knob
Weight	86 lbs. (39 kg)
Drum volume	29.3 gallons (111 l)
Speed	52 r/min
Power requirement	3150 W
For connection as supplied	Single-phase, 15 A
Heater power	Single-phase, 2850 w
Air flow	65-78 cubic yds./hr. (50-60 m ³ /h)
Drum material	Stainless steel
Outer casting	Galvanized steel sheet
Installation	Free-standing, built- in or on top of a washing machine

Electrical Installation

Electrical installation must be carried out by a skilled electrician. As supplied, the machine is arranged for single-phase.

Connection as delivered:

1-phase, 208/230 V,
heater power 2850 W,
15 A fuse required.

NOTE: Follow all state and local codes.

To install washer/dryer into a single 30A 208/240V wall receptacle:

1. Remove top of washer - by removing three 25 torx screws.

2. Using power cord attached to dryer, thread through power cord restraint on washer. Attach to terminal block on bulk head.

NOTE: This should be at the top of the terminal block.

3. Remove knock-out plug on bulk head of washer. Install dryer cord 30A 250V AWG 10/3 through knock-out to terminal block.

4. Replace top to washer and test units.

Drying times and energy consumption

Drying times and energy consumption

The table on the right shows drying times and energy consumption in accordance with the following conditions:

- Program 2 has been used (the normal, 'Dry' automatic program).
- Drying temperature: Normal.
- Fabrics dried are of cotton, previously spun at 800 r/min.
- The dryer is in a room with a temperature of 20°C (68°F), and the exhaust hose supplied with the machine is in use.

Drying times

Drying time depends on many factors, such as the amount of washing, moisture content, type of fabric, incoming air temperature and humidity. Performance can also be affected by how the machine has been installed. Drying time is also naturally affected by how dry the washing is to be when removed from the machine.

Connection to a ventilation duct

Connect the exhaust hose from the tumble dryer to a ventilation exhaust fitting or to a discharge through the wall.

Secure the hose joint to the outlet stub on the machine.

Run the hose with as few bends as possible to the point of discharge. If necessary, it can be extended to a maximum of 8.75 yards of 4" diameter hose.

Make any bends as gentle as possible. A maximum of four 90° bends may be fitted in the hose. The more bends and the longer the hose, the less will be the amount of air passing through the machine.

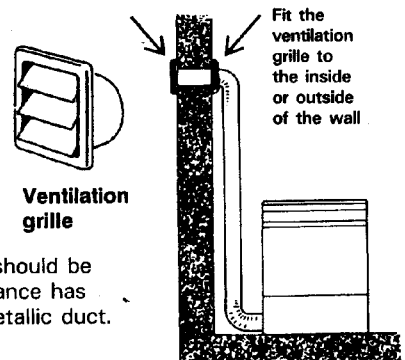
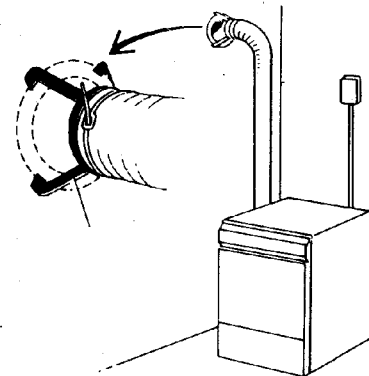
If more than 8.75 yards of hose is needed, diameter must be increased.

If the hose is taken to a wall outlet, a ventilation grille should be fitted to prevent reverse flow of cold air.

IMPORTANT:

The appliance should not be exhausted into a chimney, a wall, a ceiling, or a concealed space of a building.

The only rigid or flexible metal duct should be used for exhausting, unless the appliance has been investigated for use with nonmetallic duct.

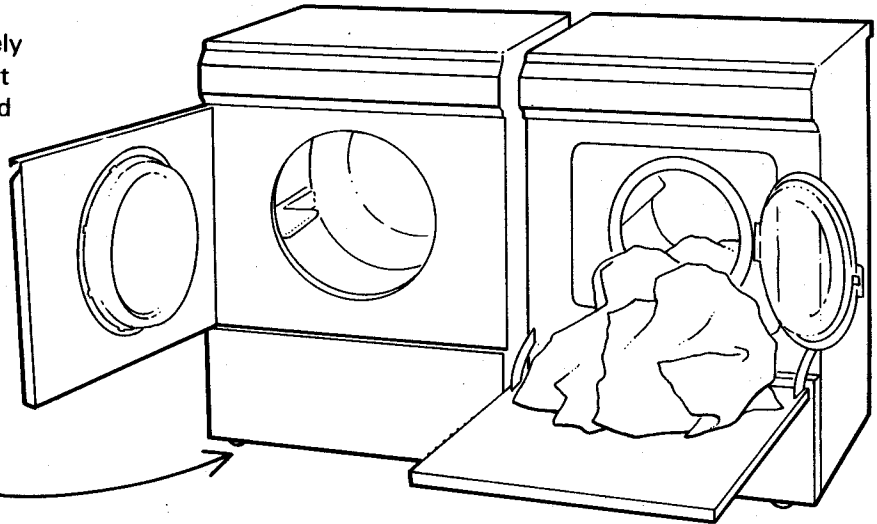
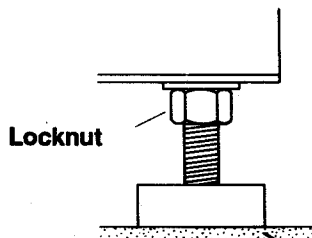


Installation

Positioning the tumble dryer

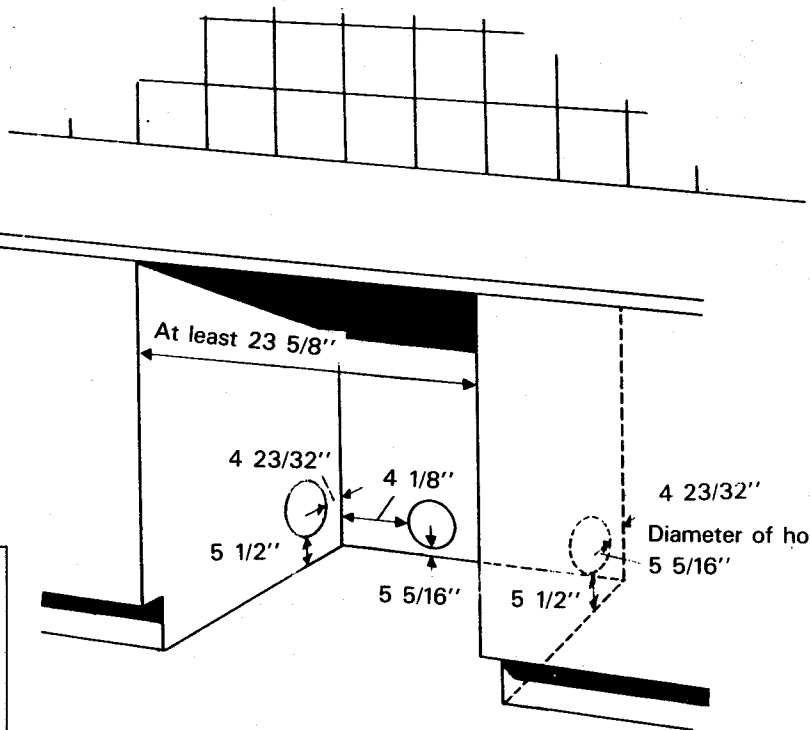
A Free-standing installation

The dryer can be placed immediately beside the washing machine. Adjust the feet so that it stands firmly and level. Tighten the locknuts.



B Built in

The dryer can be built in beneath a countertop with a height of 33 1/2" - 35 1/2". At least 23 5/8" width is needed. Space must also be available for the exhaust hose on the left, right or rear of the machine. See the diagram for hole sizes and positions.



NOTE:

Height Adjustment:
32 1/4" - 33 1/2"
Do not Raise Higher
than 33 1/2"

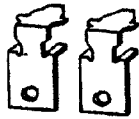
How much air does the dryer need?

The dryer needs about 65 cubic yds. of fresh air per hour. The room in which it is installed must therefore have a sufficient air change rate to ensure that the machine receives enough fresh air.

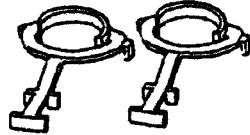
C. Stacked Installation

The dryer can be mounted on top of any ASKO matching washing machine. Use the mounts supplied with the tumble dryer.

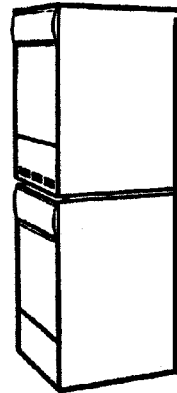
These parts are supplied with the tumble dryer:



2 metal brackets for securing the tumble dryer

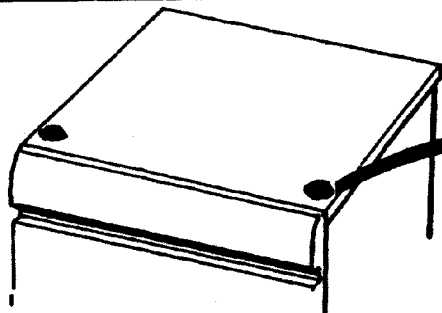
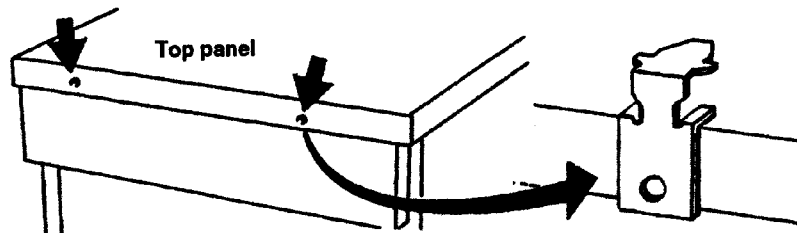


2 plastic cups

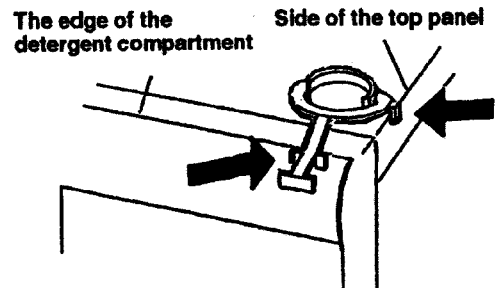


How to install the tumble dryer on top of a washing machine

1. Remove the screws shown from the back of the washing machine, and use them to secure the two brackets.

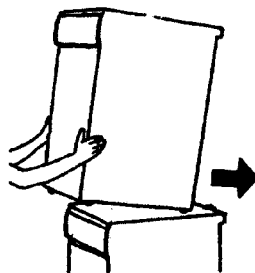


2. Fix the plastic cups which locate front feet of the tumble dryer on top of the washing machine. This is important, as they ensure that the machine is safely positioned on top of the washing machine. Break off tab A on the plastic cup to be fitted on the right-hand side of the machine, and tab B from the cup to be fitted on the left-hand side of the machine. Remove the protective paper from the self-adhesive surface beneath the cups. Taking care not to press the exposed adhesive surface

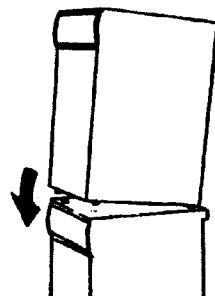


against the top of the washing machine, so that the cups fasten before being properly located, position the cups so that the tabs indicated by the arrows (see right-hand drawing) locate the cup exactly with respect to the front and sides of the machine. When the cups are properly positioned as shown, press them firmly down on to the top of the washing machine. Finish by breaking off the plastic tabs, which have now served their purpose.

3. Lift the tumble dryer into position, raise the front edge and push the machine backwards until it engages with the brackets.

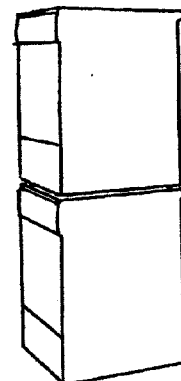


Lower the front of the dryer, making sure that its feet drop into the plastic cups.



Tumble dryer

Washing machine

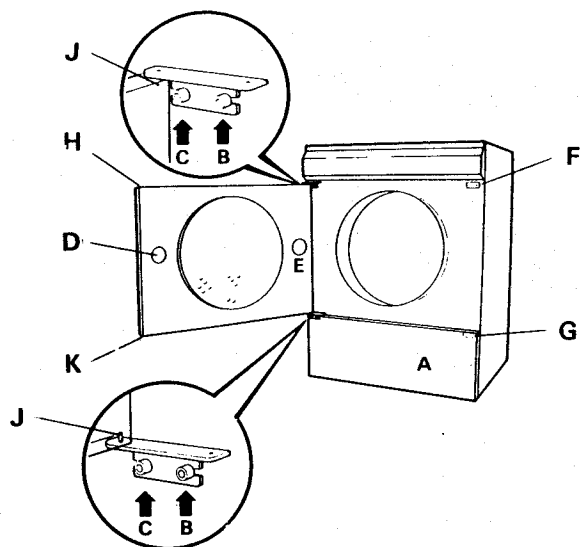


Changing the door hingeing . . .

Switch off the main power supply first!

Tools: Phillip screwdriver, 10 mm wrench.

1. Remove the lower panel A.
2. Unscrew the upper screw B + C.
3. The upper hinge is now loose. Raise the door a little so that it comes away from the bottom hinge. Remove the top hinge.
4. Move the hinge pin J to the other hole in the hinge using 10 mm wrench.
5. Push out the hinge bearings from the old holes in the door.
6. Take the door apart by removing all screws which are around the edge of the door.
7. Undo magnet cap D.
8. Remove the cover washer from the magnet position E on the other side.
9. Screw the magnet tight at E (spring plus washer plus screw) and insert cover washer in the hole at D.
10. Screw the door together.
11. Remove the plug from the new hole for the hinge at the upper edge of the door at H. Insert this plug in the old hinge hole.
12. Knock out the hole at the lower hinge hole K using a screwdriver. Insert the plug supplied in the old hinge hole.
13. Fit the hinge bearings in the new hinge hole.
14. Unscrew the lower hinge and move the hinge pin as shown in Item 5 above.
15. Remove the plastic protection at F and G and place this where the hinge was previously fitted.
16. Tighten the top hinge.
17. Screw in screw B for the bottom hinge a few turns.
18. Insert the lower hinge pin in the door hole. Place the door's top hinge hole on the upper hinge pin. Place the door and the lower hinge in position in screw B that has already been fitted. Screw in screw C.
19. Adjust the lower hinge so that the door hangs straight. Tighten screws B and C.
20. Refit the lower panel.



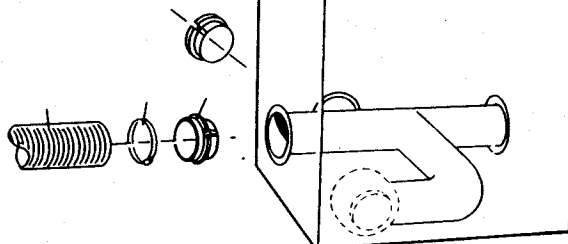
Air venting

There are three positions where the air evacuation can be connected: at the rear, on the right hand side and on the left hand side. When the machine is supplied, one hole at the rear is open. The other two are covered.

The tumble dryer is supplied with a stub pipe and a plastic band. (A flexible hose must be supplied by consumer.)

Fit the air evacuation as follows:

- Push the hose onto the stub pipe and fasten with the plastic band.
- Remove the cover as necessary.
- Insert the stub pipe with the hose into the hole.
- Fit the cover to the open hole.



If you want to change the outlet:

- Remove the cover from the hole where you wish to fit the hose.
- Fit the stub pipe with the hose connected to it.
- Insert the stub pipe into the new opening.
- Fit the cover to the hole where the hose was previously fitted.

WARNING — To reduce the risk of fire this appliance **MUST BE EXHAUSTED OUTDOORS** or the equivalent.

Energy saving hints

- Dry consecutive loads to avoid reheating the dryer.
- Do not overload the dryer.
- Do not put unspun, very wet items in the dryer.
- Clean the lint filter after each load.
- Do not over dry clothes when using the timed program.
- If you plan on ironing items, remove them while still slightly damp. Use the iron drying program.
- Leave the door closed while the dryer is in operation.

The dryer must not be used to dry fabrics which may contain residues of flammable liquids.

The dryer door has a magnetic catch, which means that it can be opened from the inside. A door switch automatically stops the dryer if the door is opened. The machine does not start automatically if the door is closed, i.e. if a child should get into the drum and close the door from the inside. In order to restart the machine, the Start pushbutton must be pressed.

The machine is protected by a thermostat fitted by the heating element, which turns the machine off if the temperature is too high.

ASKO Product Warranty

Home Clothes Washers and Dryers

For Residential Installations

Length of warranty	ASKO will pay for:
ONE YEAR FULL WARRANTY From date of purchase	ASKO replacement parts and/or repair labor to correct defect in materials or workmanship. Service must be provided by an authorized ASKO service outlet.
FIVE YEAR LIMITED WARRANTY One year full plus second through fifth year limited from date of purchase.	ASKO replacement parts (repair labor costs not included) for any defective solid state controls, timers, motors, pumps.
TWENTY-FIVE YEAR LIMITED WARRANTY One year full plus second through twenty-five year limited from date of purchase.	ASKO replacement parts (repair labor costs not included) for the stainless steel inner and outer drum/tub if it fails to hold water due to a manufacturing defect such as cracking or rusting.

For Non-Residential Installations

SIX MONTHS FULL WARRANTY FROM DATE OF PURCHASE	ASKO replacement parts and/or labor to correct defect in materials or workmanship. Service to be provided by an authorized ASKO service outlet.
---	---

ASKO will not pay for:

- A. Service calls to:
 1. Correct the installation of the washer or dryer
 2. Instruct how to use the washer or dryer
 3. Replace house fuses or correct housing wiring
 4. Correct house plumbing
 5. Cleaning or servicing of the button trap, outlet pump of the washer
 6. Cleaning or servicing of the lint filter or condensing unit of the dryer
- B. Repair and/or parts for failure of product if washer or dryer is used in other than normal use.
- C. Damage resulting from accident, fire, floods, acts of God, alteration, misuse abuse, improper installation or installation not in accordance with local electrical or plumbing codes.
- D. Any labor or shipping costs for parts during the limited warranty.
- E. Replacement parts or repair labor costs for units operated outside the Continental United States.
- F. Pick-up and delivery. ASKO products are designed to be repaired in the home.

IN NO EVENT SHALL ASKO INC. BE RESPONSIBLE FOR ANY INCIDENTAL OR CONSEQUENTIAL DAMAGES.

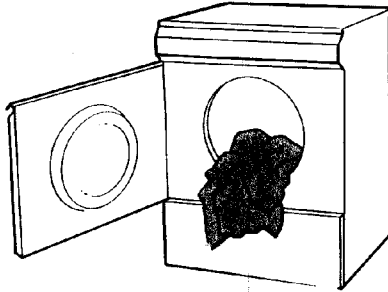
Some states will not allow the exclusion or limitation of incidental or consequential damages, so this exclusion or limitation may not apply to you. This warranty gives you specific legal rights and you may also have other rights which vary from state to state.

For warranty service, contact the dealer from whom you purchased the unit or an authorized ASKO service outlet. Service will be provided during normal business hours. Should you have a service problem that is not resolved locally write:

ASKO USA INC.
P.O. Box 851805
Richardson, TX 75085-1805

How to use your tumble dryer

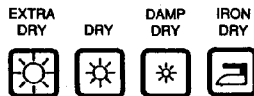
Load the washing to be tumble-dried and close the door. Press the main switch.



Automatic programs

Choose dryness selection

Extra Dry
Dry (normal program)
Damp Dry
Iron Dry



Timed program

Set the required drying time by pressing the hour-glass button. The time is to be seen in the display.



Select other options:

Warning buzzer



Intermittent action



Low temperature



Delayed start



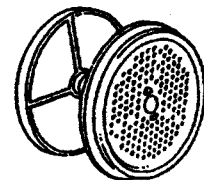
Press START



Do not tumble-dry articles marked with this symbol.



Clean the fluff filter each time you have used the machine.



If you want to load more washing:

- * Open the door.
The drum will stop automatically.
- * Load the extra washing, close the door and press START.



When the machine has stopped:

- * Remove the washing
- * Clean the lint filter
- * Turn off the main switch

It is not permitted to make any changes to the specifications of the machine without the written permission of the manufacturer.

We reserve the right to make changes.

Art nr 80 575 82
TD 73 - 7304