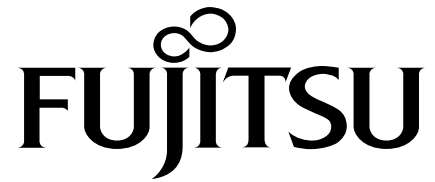


FMW42DS1

Mini-Dock

User's Guide

Stylistic 3400



The Stylistic 3400 mini-dock allows you to transform your pen tablet into a full-function desktop computer. The mini-dock provides connectivity to a wide variety of peripheral devices, including keyboard, mouse, printer, LAN, and external monitor. The mini-dock is designed for stationary counter or desktop use with your Stylistic 3400 pen tablet.

This user's guide provides a brief description of the mini-dock's features and instructions on using it with your Stylistic 3400 pen tablet.

Features

The mini-dock features a number of components, interfaces, and connections that are described below and illustrated in figures 1 thru 4.

Front Components

Following is a description and illustration of the mini-dock showing the front components. (Figure 1.)

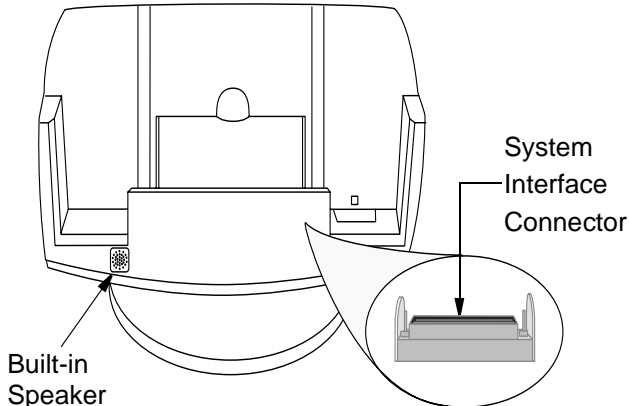


Figure 1. Stylistic 3400 mini-dock

- **Built-in Speaker:** This speaker improves the clarity of the sound from your pen tablet. When you use the mini-dock with your pen tablet, the speaker inside the Stylistic 3400 will be disabled.
- **System Interface Connector:** Use to connect to the docking port of the Stylistic 3400 pen tablet. Once connected, you will be able to use the peripheral devices attached to the mini-dock.

Rear Panel Components

Following is a description and illustration of the rear panel components of the mini-dock. (Figure 2.)

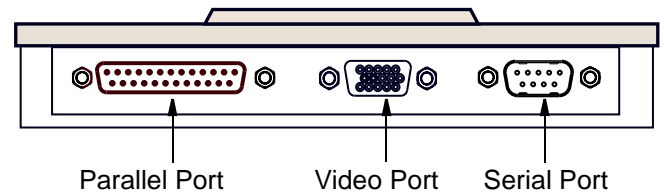


Figure 2. Rear panel components

You may use these components as follows:

Use the	To connect
Parallel Port	• a parallel printer or other standard parallel device. (Also called LPT port.)
Video Port	• a VGA or SVGA monitor.
Serial Port	• an external peripheral device with a serial interface. (Also called COMM port.)

Left-Hand Side Components

Following is a description and illustration of the left-hand side components of the mini-dock. (Figure 3.)

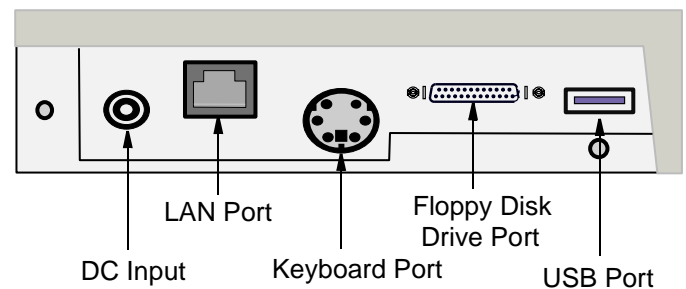


Figure 3. Left-hand side components.

You may use these components as follows:

Use the	To connect
DC Input Jack	• an AC adapter to you mini-dock. This will provide power to the Stylistic 3400 and charge the system battery.
LAN Port	• to a local area network (LAN).
Keyboard Port	• a PS2-style keyboard.
Floppy Disk Drive Port	• a Fujitsu external floppy disk drive (FMWFD2).
USB Port	• a USB-compliant peripheral device.

Right-Hand Side Components

Following is a description of the components on the right-hand side of the mini-dock. (Figure 4.)

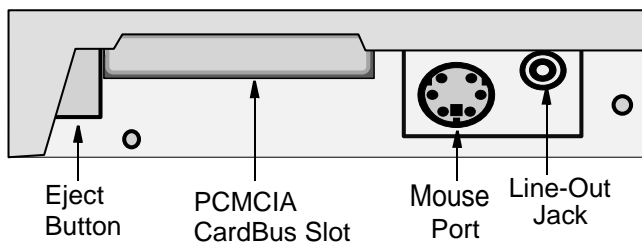


Figure 4. Right-hand side components.

You may use the components as follows:

Use the	To
Eject Button	• remove the PC Card from the PCMCIA CardBus slot. To eject, press the button.
PCMCIA CardBus Slot	• insert either a Type II or Type III PC Card. Ensure the PC Card is inserted into this slot with the label facing up.
Mouse Port	• connect a PS2-style mouse.
Line-Out Jack	• connect powered external stereo speakers. The speakers built into the mini-dock will be disabled when you use this jack. Use the attached speakers' volume control knobs to adjust the volume to your own taste.

Before Using your Mini-dock

Your mini-dock is designed to be robust; however, the circuitry of your mini-dock, the Stylistic 3400, and connected peripheral devices can be damaged if the procedures and precautions given here are not followed.

PRECAUTIONS

To prevent damage to the pen tablet, mini-dock and peripheral devices, please observe the following guidelines.

- Do not touch connector pins or connector sockets on your equipment. Electrostatic discharge can damage interface circuitry in your equipment.
- Do not jam or force component connections.

Installing the Stylistic 3400

Follow these steps to install the Stylistic 3400 into your mini-dock.

1. Suspend the Stylistic 3400 operation by either pressing the Suspend/Resume button or by shutting down from the Start menu.
2. Turn off all peripheral devices that are already connected to the mini-dock. Disconnect the devices you do not intend to use.
3. Turn off all peripheral devices you intend to use with your Stylistic 3400, and connect them to the mini-dock.

When connecting peripherals, tighten the connector screws, if used, to maintain consistent and reliable connection between the device and the mini-dock.

4. Install the Stylistic 3400 by sliding it into the mini-dock straight down, as illustrated in Figure 5.

You should hear two clicks which indicate that the pen tablet has been properly installed. If you hear only one click, gently press the pen tablet until you hear the second click.

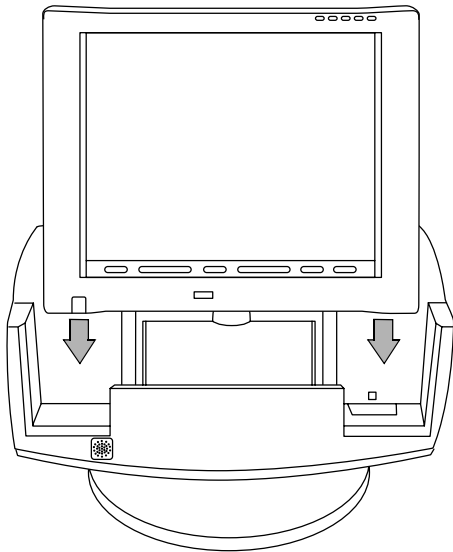


Figure 5. Installing the Stylistic 3400

5. Turn on the peripherals attached to the mini-dock.
6. Press the Suspend/Resume button to resume Stylistic 3400 system operation.

Note: *If the required driver software for a connected peripheral device is not installed, the device may not work or may work incorrectly. Contact your local help desk or refer to the documentation provided with your peripheral device and install the driver software at this time.*

You can now use your Stylistic 3400 with the peripheral devices connected to the mini-dock.

Removing the Stylistic 3400

Follow these steps to remove your pen tablet.

1. Suspend operation of your Stylistic 3400 by pressing the Suspend/Resume button or by shutting down from the Start menu.
2. Turn off peripheral devices that are connected to the mini-dock.
3. Hold the base of the mini-dock with one hand, and with your free hand, firmly hold and pull the Stylistic 3400 out of the mini-dock in a straight line.
4. Press the Suspend/Resume button to resume operation of your Stylistic 3400.

Adjusting the Stylistic 3400's Viewing Angle

Your mini-dock allows you to adjust your Stylistic 3400 to a comfortable viewing angle. There are five positions on the stand to which you can adjust the viewing angle of your pen tablet. (Figure 6.)

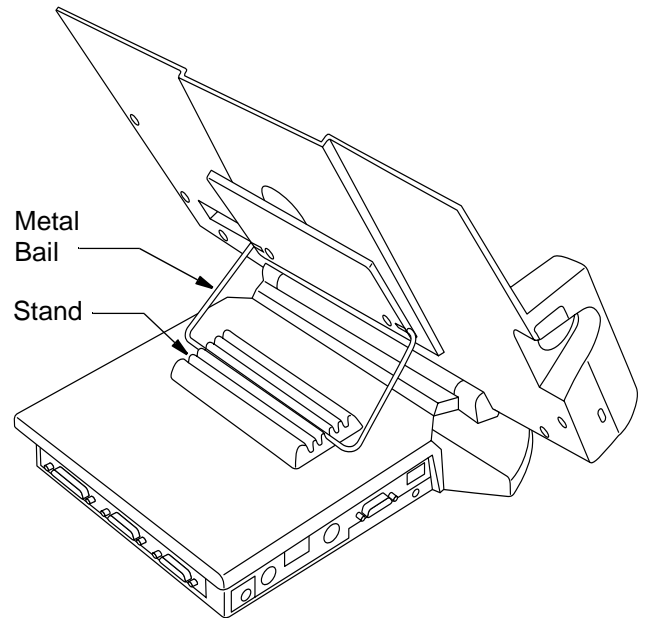


Figure 6. Adjusting the viewing angle

To adjust your pen tablet's viewing angle:

1. Release the metal bail from the stand by firmly pulling it up from the groove on the stand.
2. With one hand, hold and adjust the pen tablet to your desired viewing angle; use your free hand to position the metal bail in the appropriate groove on the stand, then press until it snaps in place.