

# Mobile DVB-T Tuner DTV 6500

## Product Information



- **High Performance mobile DVB-T Tuner**
- **2 x High Quality Tuner Modules (Diversity)**
- **Latest Chipset for maximum Demodulation Processing**
- **Remote Power Supply for Active Antennas (TVA 6500)**
- **Stand-alone Plug & Play Solution**
- **Can store up to 200 TV Channels and 200 Radio Stations**
- **1 x AV Input (RCA/Cinch), e.g. for TV 5200, DV 6200, Game Console etc.**
- **1 x AV Output (RCA/Cinch) to connect a Monitor (e.g. MM 2700), Multimedia Interface (MI 2X00), Audio or Navigation\* System**
- **Infrared Remote Control with separate Receiver (cable length 5m)**
- **Recommended Antenna Set TVA 6500**

\* Optional Adaptor Cable CA 1220 required for direct connection to Navigation System; CA 1220 is not compatible with Monitors MM 2100 and MM 2700

### Application

With its high reception-performance, the DTV 6500 guarantees mobile digital TV and Radio entertainment even at high driving speeds and areas with non-optimal signal supply.

### Brilliant TV Image and Audio

The digital technique guarantees perfect image and audio quality: snow or „ghost pictures“, static noises or other interference are relics of the past.

### EPG - Electronic Program Guide

The EPG provides additional information such as content information to the running and future TV-program.\*

### Enhanced Teletext

Teletext operation without loading times enables quick operation and information.

### „Full Frame Freeze“

In case the DVB-T signal becomes too weak, DTV 6500 „freezes“ the last shown image instead of competitor's products, which show disrupted, fragmented images when trying to generate an image out of a weak signal. This „full frame freeze“ can be compared to a DVD-movie, switched to „pause“.

### OSD Languages

English, German, French, Chinese

### Subtitle and 2 Channel Audio Support

### Favourite Lists

The customer can choose his favourite TV and Radio Programs in freely configurable Favourite Lists.

### Remote Power Supply for Active Antennas TVA 6500

DTV 6500 has a switchable remote power supply for the active antenna set TVA 6500. This enables signal amplification without additional external power supply of the antennas.

### Plug & Play Module

DTV 6500 is an independent module and can be used „stand-alone“ (e.g. with the 7“ Entertainment Monitor) or in combination with Navigation and Multimedia Systems.

### Further AV Source connectable

DTV 6500 can handle a 2<sup>nd</sup> AV source. By connecting i.e. DV 6200 or TV 5200, the DVB-T module can be extended to a Multimedia System.

\* Extent depending on the service provided by the local broadcaster.

# Mobile DVB-T Tuner DTV 6500

## Technical Information



### Connectors

- Audio and Video Connector Type: RCA/ Cinch
- Video Output Level  $1 V_{pp} \pm 5\%$  at 75 Ohms
- Video Input  $1.5 V_{pp}$  max. at 75 Ohms
- Audio Input  $2 V_{rms}$  max. at 10 KOhms Resistance
- Audio Output Level  $0.5 V_{rms} \pm 20\%$  at 10 KOhms
- Audio Frequency Range 20 Hz to 20 KHz
- Audio Channel Separation > 65 dB at 1 KHz
- Audio Mode Mono/Stereo/Dual

### TV System

- TV System Standard PAL/NTSC
- Aspect Ratio 4:3, 16:9
- DVB-T Compliance ETSI EN 300 744
- Video Decoding MPEG2 (ISO/IEC 13818-2, ML)

### COFDM Modulation Handling

- Constellation QPSK, 16QAM, 64QAM
- Transmission Modes 2K & 8K FFT
- Guard Interval 1/4, 1/8, 1/16, 1/32
- Code Rate 1/2, 2/3, 3/4, 5/6, 7/8

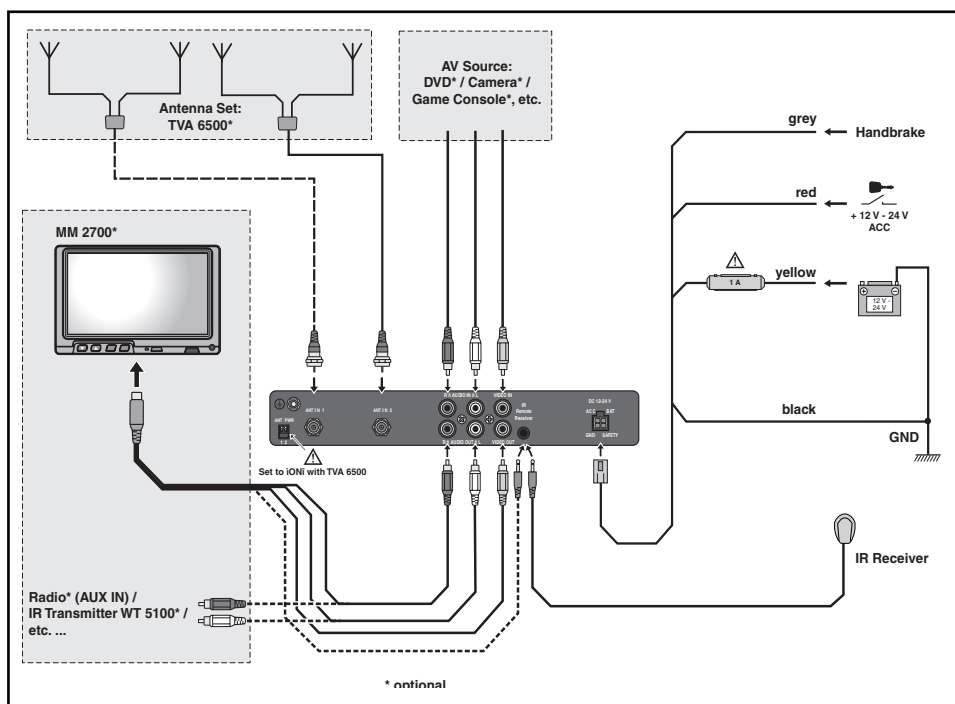
### General

- Operating Voltage range: 12 ~ 24 V DC
- Power Consumption: < 1 mA (Stand-By), < 2 A (Operation)
- Operating temperature range:  $-10^{\circ}\text{C} \sim +60^{\circ}\text{C}$
- Storage temperature range:  $-25^{\circ}\text{C} \sim +85^{\circ}\text{C}$
- Dimensions (w x h x d): 27 x 4 x 16 cm

### Reception Parameters

- Frequency Range: 174 MHz to 230 MHz (VHF), 470 MHz to 862 MHz (UHF)
- Channel Bandwidth 8 MHz (standard), 7 MHz (possible)
- Antenna RF Input Impedance 75 Ohms
- Antenna Connector F Type

### Connection Example



### Package content

- Mounting Brackets and Screws
- 2 stripes of Tape
- Instruction for Use
- Set-top Box
- Power Cable
- Infrared Remote Control
- Infrared receiver

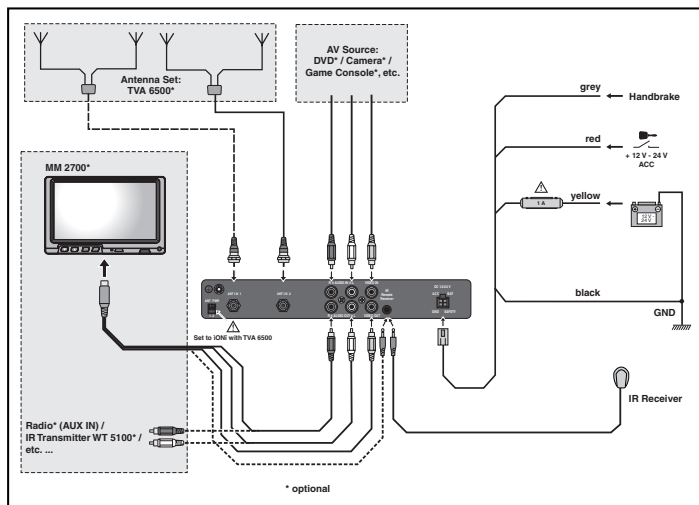
The playback of TV- and/or Radio-Programs is depending on the availability, strength and quality of the broadcasted DVB-T Signal.

[www.VDODayton.com](http://www.VDODayton.com)



# Mobile DVB-T Tuner DTV 6500

## Technical Information



Connection Example

### Connectors

- Audio and Video Connector  
Type: RCA/Cinch
- Video Output Level 1 Vpp  $\pm$  5 % at 75 Ohms
- Video Input 1.5 Vpp max. at 75 Ohms
- Audio Input 2 Vrms max. at 10 KOhms Resistance
- Audio Output Level  
0.5 Vrms  $\pm$  20 % at 10 KOhms
- Audio Frequency Range  
20 Hz to 20 KHz
- Audio Channel Separation  
> 65 dB at 1 KHz
- Audio Mode Mono/Stereo/Dual

### TV System

- TV System Standard PAL/NTSC
- Aspect Ratio 4:3, 16:9
- DVB-T Compliance  
ETSI EN 300 744
- Video Decoding MPEG2  
(ISO/IEC 13818-2, ML)

### COFDM Modulation Handling

- Constellation QPSK, 16QAM, 64QAM
- Transmission Modes 2K & 8K FFT
- Guard Interval 1/4, 1/8, 1/16, 1/32
- Code Rate 1/2, 2/3, 3/4, 5/6, 7/8

### Package content

- Set-top Box
- Power Cable
- Infrared Remote Control
- Infrared receiver
- Mounting Brackets and Screws
- 2 Strapes of Tape
- Instruction for Use

### General

- Operating Voltage range:  
12 ~ 24 V DC
- Power Consumption:  
< 1 mA (Stand-By)  
< 2 A (Operation)
- Operating temperature range:  
-10 °C ~ +60 °C
- Storage temperature range:  
-25 °C ~ +85 °C
- Dimensions (w x h x d):  
27 x 4 x 16 cm

### Reception Parameters

- Frequency Range:  
174 MHz to 230 MHz (VHF),  
470 MHz to 862 MHz (UHF)
- Channel Bandwidth 8 MHz  
(standard), 7 MHz (possible)
- Antenna RF Input Impedance  
75 Ohms
- Antenna Connector F Type

The playback of TV- and/or Radio-Programs is depending on the availability, strength and quality of the broadcasted DVB-T Signal.

www.VDODayton.com

