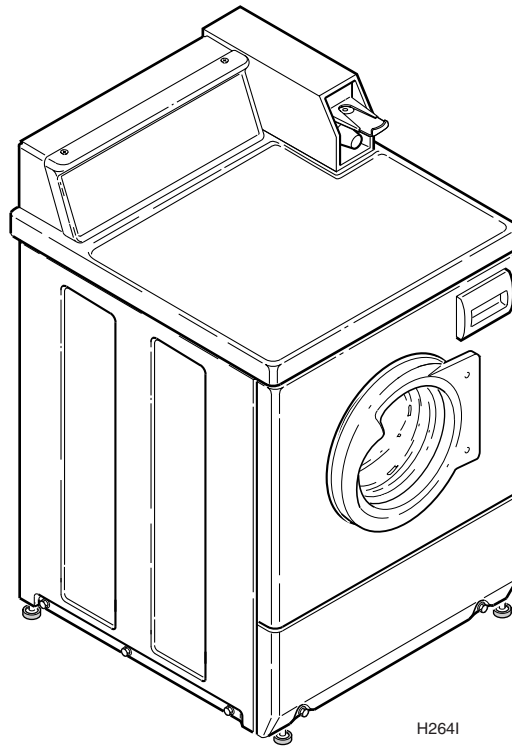


Frontload Washers

Metered Commercial

— Installation/Operation —

NOTA: El manual en español aparece después del manual en inglés.



H2641

Keep These Instructions for Future Reference.

(If this machine changes ownership, this manual must accompany machine.)


Alliance
Laundry Systems

www.comlaundry.com

Part No. 800536R3
October 2002



WARNING

Failure to install, maintain, and/or operate this machine according to the manufacturer's instructions may result in conditions which can produce bodily injury and/or property damage.

W030

NOTE: The WARNING and IMPORTANT instructions appearing in this manual are not meant to cover all possible conditions and situations that may occur. It must be understood that common sense, caution, and carefulness are factors which cannot be built into these washers. These factors MUST BE supplied by the person(s) installing, maintaining, or operating the washer.

Always contact the distributor, service agent, or the manufacturer about any problems or conditions you do not understand.

Table of Contents

Replacement Parts	5
Important Safety Instructions	7
Installation	9
Dimensions and Specifications	9
Meter Case	10
Before You Start	10
Tools	10
Electrical	10
Water	10
Installing the Washer	11
Step 1: Position Washer Near Installation Area	11
Step 2: Connect Water Inlet Hoses	11
Step 3: Connect Drain Hose to Drain Receptacle	12
Step 4: Position and Level the Washer	13
Step 5: Remove the Shock Sleeves and Shipping Brace	14
Step 6: Wipe Out Inside of Wash Drum	14
Step 7: Plug In the Washer	14
Step 8: Check Installation	14
Moving Washer to a New Location	15
Electrical Requirements	16
Grounding Instructions	16
Water Supply Requirements	18
Water Temperature	18
Water Pressure	18
Risers	19
Operation	21
Operation Instructions for Electromechanical Washers	21
Step 1: Load Laundry	21
Step 2: Close Loading Door	21
Step 3: Add Laundry Supplies	21
Step 4: Set Fabric Selector	22
Step 5: Set WASH/RINSE Temperatures	22
Step 6: Insert Money	22
Indicator Lights	22
Operation Instructions for MDC Washers	23
Step 1: Set Fabric Selector and Wash Temperature	23
Step 2: Add Laundry Supplies	23
Step 3: Load Laundry	24
Step 4: Close Loading Door	24
Step 5: Insert Coin(s) or Card	24
Step 6: Start Washer	25
Indicator Lights	25

© Copyright 2002, Alliance Laundry Systems LLC

All rights reserved. No part of the contents of this book may be reproduced or transmitted in any form or by any means without the expressed written consent of the publisher.

Operation Instructions for NetMaster Washers	26
Step 1: Load Laundry.....	26
Step 2: Close Loading Door.....	26
Step 3: Add Laundry Supplies	26
Step 4: Set Fabric Selector	27
Step 5: Set Wash Temperature.....	27
Step 6: Insert Coin(s) or Card	27
Step 7: Start Washer.....	28
Indicator Lights	28
Maintenance	29
User-Maintenance Instructions.....	29
Cold Weather Care.....	29
Care of Your Washer	29
Vacations and Extended Non-Use	29
Before You Call for Service	30
If Service Is Required	31
Information for Handy Reference.....	32
Installer Checklist	Back Cover

Replacement Parts


If replacement parts are required, contact the source from which you purchased your washer, or contact:

Alliance Laundry Systems
Shepard Street
P.O. Box 990
Ripon, WI 54971-0990
U.S.A.
Phone: (920) 748-3950

for the name and address of the nearest authorized parts distributor.

Important Safety Instructions

(Save These Instructions)

	WARNING
To reduce the risk of fire, electric shock, serious injury or death to persons when using your washer, follow these basic precautions:	
<small>W023E</small>	

1. Read all instructions before using the washer.
2. Refer to the GROUNDING INSTRUCTIONS in the INSTALLATION manual for the proper grounding of the washer.
3. Do not wash articles that have been previously cleaned in, washed in, soaked in, or spotted with gasoline, dry-cleaning solvents, or other flammable or explosive substances as they give off vapors that could ignite or explode.
4. Do not add gasoline, dry-cleaning solvents, or other flammable or explosive substances to the wash water. These substances give off vapors that could ignite or explode.
5. Under certain conditions, hydrogen gas may be produced in a hot water system that has not been used for two weeks or more. **HYDROGEN GAS IS EXPLOSIVE.** If the hot water system has not been used for such a period, before using a washing machine or combination washer-dryer, turn on all hot water faucets and let the water flow from each for several minutes. This will release any accumulated hydrogen gas. The gas is flammable, do not smoke or use an open flame during this time.
6. Do not allow children to play on or in the washer. Close supervision of children is necessary when the washer is used near children. This is a safety rule for all appliances.
7. Before the washer is removed from service or discarded, remove the door to the washing compartment.
8. Do not reach into the washer if the wash drum is moving.
9. Do not install or store the washer where it will be exposed to water and/or weather.
10. Do not tamper with the controls.
11. Do not repair or replace any part of the washer, or attempt any servicing unless specifically recommended in the user-maintenance instructions or in published user-repair instructions that you understand and have the skills to carry out.
12. To reduce the risk of an electric shock or fire, **DO NOT** use an extension cord or an adapter to connect the washer to the electrical power source.
13. Use your washer only for its intended purpose, washing clothes.
14. **ALWAYS** disconnect the washer from electrical supply before attempting any service. Disconnect the power cord by grasping the plug, not the cord.
15. Install the washer according to the **INSTALLATION INSTRUCTIONS.** All connections for water, drain, electrical power and grounding must comply with local codes and be made by licensed personnel when required. Do not do it yourself unless you know how!
16. To reduce the risk of fire, clothes which have traces of any flammable substances such as vegetable oil, cooking oil, machine oil, flammable chemicals, thinner, etc. or anything containing wax or chemicals such as in mops and cleaning cloths, must not be put into the washer. These flammable substances may cause the fabric to catch on fire by itself.
17. Do not use fabric softeners or products to eliminate static unless recommended by the manufacturer of the fabric softener or product.
18. Keep your washer in good condition. Bumping or dropping the washer can damage safety features. If this occurs, have your washer checked by a qualified service person.
19. If the supply cord is damaged, it must be replaced by a special cord or assembly available from the manufacturer or its service agent.
20. Be sure water connections have a shut-off valve and that fill hose connections are tight. **CLOSE** the shut-off valves at the end of each wash day.

Important Safety Instructions

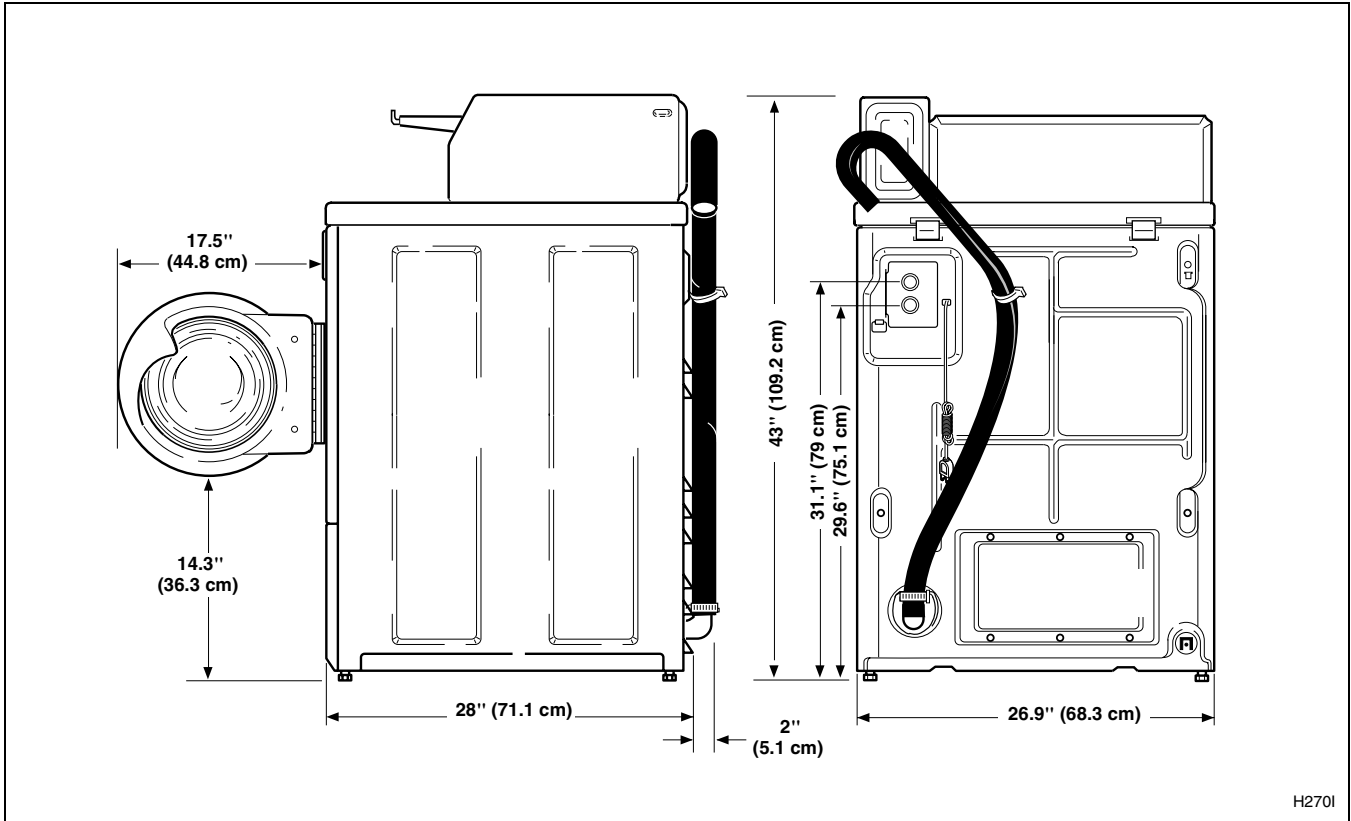
21. Loading door **MUST BE CLOSED** any time the washer is to fill, tumble or spin. **DO NOT** bypass the loading door switch by permitting the washer to operate with the loading door open.
22. Always read and follow manufacturer's instructions on packages of laundry and cleaning aids. Heed all warnings or precautions. To reduce the risk of poisoning or chemical burns, keep them out of the reach of children at all times (preferably in a locked cabinet).
23. Always follow the fabric care instructions supplied by the garment manufacturer.
24. Never operate the washer with any guards and/or panels removed.
25. **DO NOT** operate the washer with missing or broken parts.
26. **DO NOT** bypass any safety devices.
27. Failure to install, maintain, and/or operate this washer according to the manufacturer's instructions may result in conditions which can produce bodily injury and/or property damage.

NOTE: The WARNING and IMPORTANT SAFETY INSTRUCTIONS appearing in this manual are not meant to cover all possible conditions and situations that may occur. Common sense, caution and care must be exercised when installing, maintaining, or operating the washer.

Always contact your dealer, distributor, service agent or the manufacturer about any problems or conditions you do not understand.

Installation

Dimensions and Specifications



Installation

Meter Case

The factory mounted coin meter case does not include the service door lock, slide, coin drawer, coin drawer lock or keys. These parts must be ordered (at extra cost) according to the purchaser's requirements, direct from the manufacturer of your choice.

NOTE: You have the option of using a screw type lock or a 1/4 turn lock on the meter case service door. If you choose to use a screw lock, then the special bracket (located inside the meter case) must be used. DO NOT use the special bracket if a 1/4 turn lock is used.

Coin Drawer Security – For additional security, drill out the two pilot holes on each front side of the meter case to 1/4 turn or 5/16 inch (6.4 or 7.9 mm) holes, and install a bicycle lock through these holes.

Before You Start

Tools

For most installations, the basic tools you will need are:

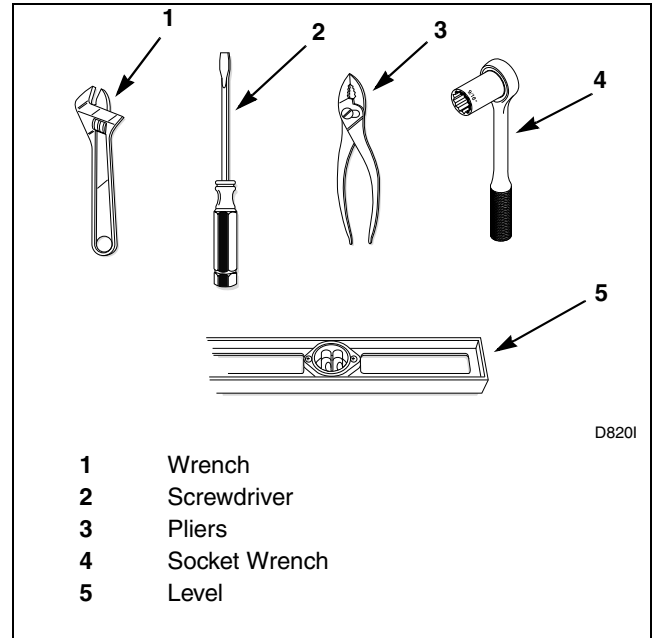


Figure 1

Electrical

Refer to serial plate for specific electrical requirements. For more detailed information, refer to section on **Electrical Requirements**.

Water

Washer needs two standard 3/4 inch (19.1 mm) water supply faucets with a pressure between 20 and 120 pounds per square inch (138 to 827 kPa). For more detailed information refer to section on **Water Supply Requirements**.

Installing the Washer

Step 1: Position Washer Near Installation Area

Move washer so that it is within four feet of the desired area of installation.

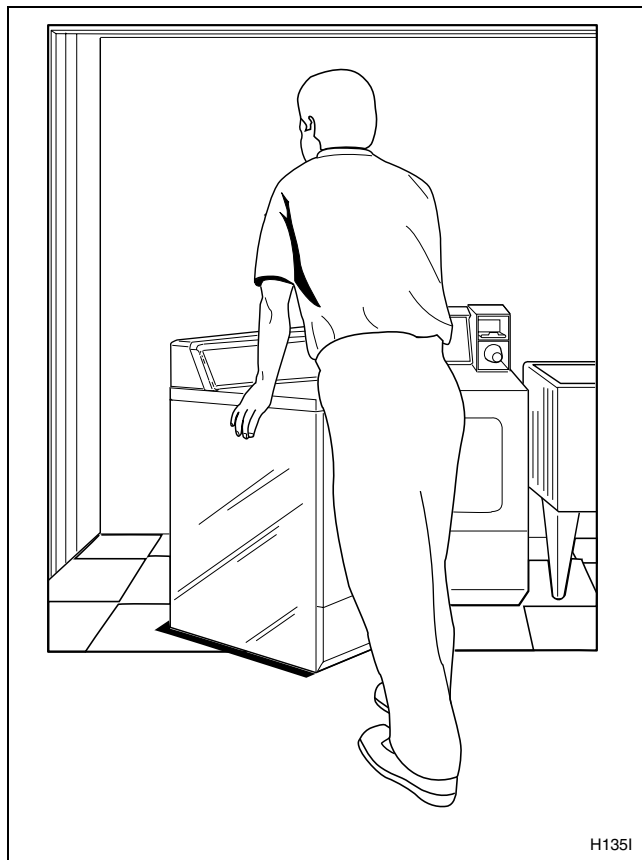


Figure 2

Step 2: Connect Water Inlet Hoses

NOTE: Refer to section on *Water Supply Requirements* before connecting water inlet hoses.

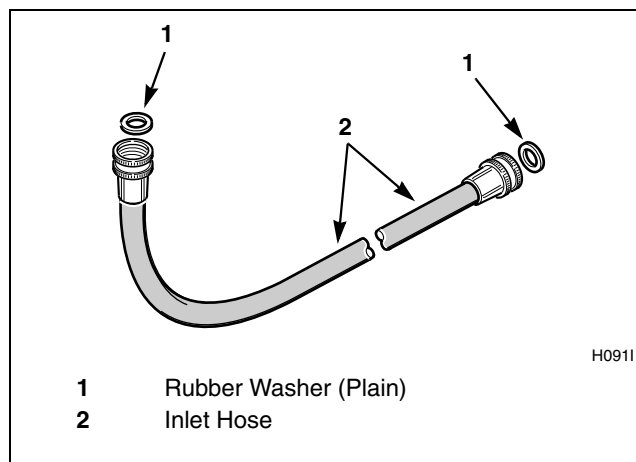
Remove the four plain rubber washers from accessories bag, and install them according to *Figure 3*.

Turn on the water supply faucets and flush the lines for approximately two minutes to remove any foreign materials that could clog the screens in the water mixing valve.

NOTE: When installing in newly constructed or renovated building, it is very important to flush the lines since build-up may have occurred during construction.

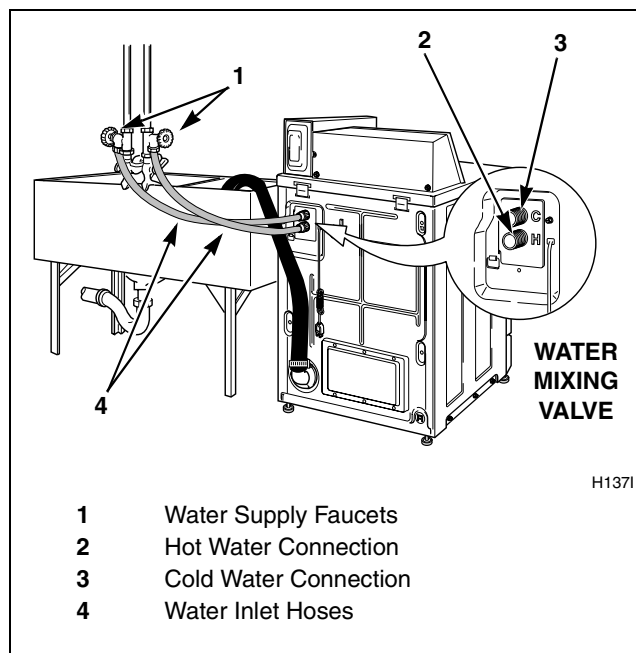
IMPORTANT: Thread hose couplings onto valve connections finger-tight, then approximately 1/4 turn with pliers. **DO NOT** cross thread or overtighten couplings.

Turn water on and check for leaks. If leaks are found, retighten the hose couplings. Continue tightening and rechecking until no leaks are found.



- 1 Rubber Washer (Plain)
- 2 Inlet Hose

Figure 3



- 1 Water Supply Faucets
- 2 Hot Water Connection
- 3 Cold Water Connection
- 4 Water Inlet Hoses

Figure 4

Installation

Step 3: Connect Drain Hose to Drain Receptacle

Remove the drain hose from its shipping position on the rear of the washer by unhooking the hose from the retainer clamp or by removing the shipping tape.

IMPORTANT: Drain receptacle must be capable of handling a minimum of 1-3/8 inch (3.5 cm) outside diameter drain hose.

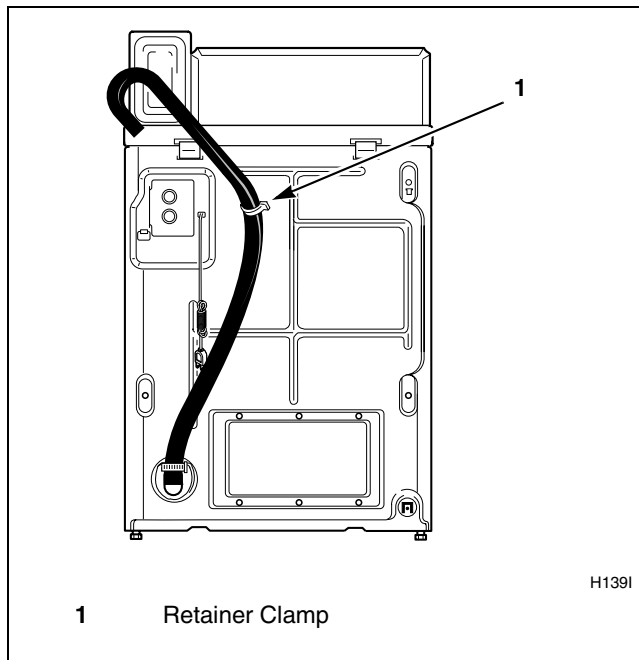


Figure 5

Standpipe Installation

Place the drain hose into the standpipe.

Remove the beaded tie-down strap from accessories bag and place around standpipe and drain hose and tighten strap to hold hose to standpipe. This will prevent the drain hose from dislodging from drain receptacle during use.

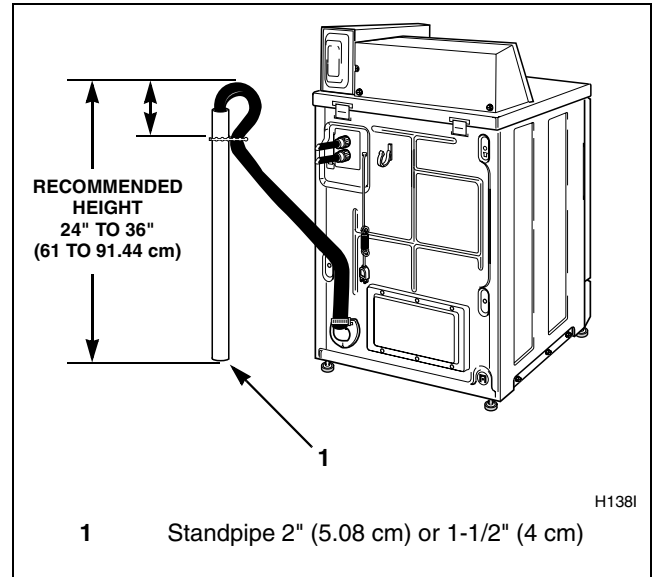



Figure 6

Step 4: Position and Level the Washer

	<h2 style="margin: 0;">WARNING</h2>
<p>Washers elevated above floor level must be anchored to that elevated surface, base or platform. The material used to elevate the washer should also be anchored to the floor to ensure that the washer will not walk or that the washer can not be physically pulled, tipped or slid from its installed position. Failure to do so may result in conditions which can produce serious injury, death and/or property damage.</p>	
<small>W306</small>	

Place washer in position on a clean, firm and reasonably level floor. Installing the washer on any type of carpeting is not recommended.

Loosen 7/8" locknut and adjust the front and rear leveling legs until the washer is level from side to side and front to back (using a level). Washer should not rock.

NOTE: Level must rest on raised portion of top panel. Refer to *Figure 7*.

Tighten the locknuts securely against the washer base using the 7/8" wrench. If the locknuts are not tight, washer will move out of position during operation.

NOTE: DO NOT slide washer across floor if the leveling legs have been extended, as legs and base could become damaged.

NOTE: Use of the dispenser drawer or washer door as a handle in the transportation of the washer may cause damage to the dispenser or door.

Remove rubber feet from accessories bag and place on all four leveling legs.

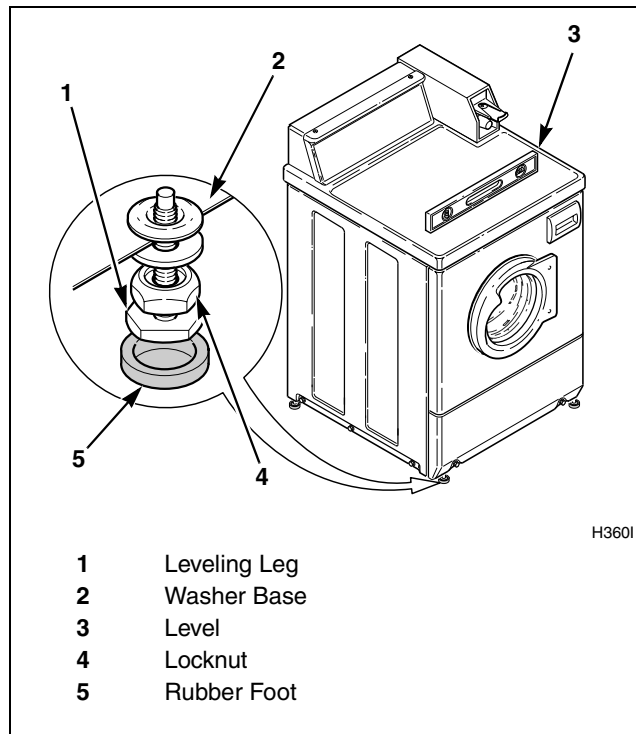


Figure 7

Installation

Step 5: Remove the Shock Sleeves and Shipping Brace

Remove front access panel by removing the two screws.

Remove bolts and lockwashers from shipping brace with 9/16" wrench and remove brace. Remove shock sleeves by pulling on the yellow rope. Remove label from front side of front access panel and place on backside of front access panel.

NOTE: The shipping brace, bolts, washers and shock sleeves should be saved and MUST be reinstalled whenever the washer is moved more than four feet. Do not lift or transport washer from front or without shipping materials installed.

Store the shipping materials in the bag provided in the accessories bag. Save materials for use whenever the washer is moved.

Reinstall front access panel.

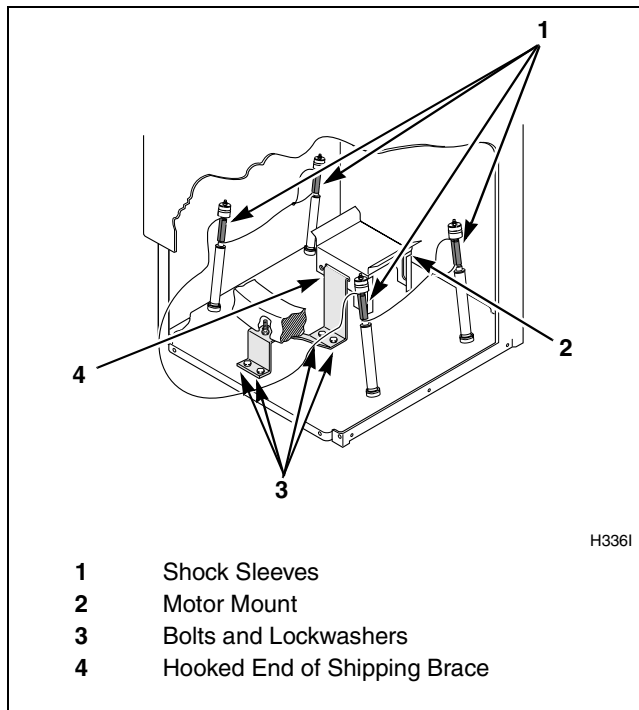


Figure 8

NOTE: The shipping materials MUST be reinstalled whenever the washer is moved. Refer to section on *Moving Washer to a New Location* for instructions.

Step 6: Wipe Out Inside of Wash Drum

Before using washer for the first time, use an all-purpose cleaner, or a detergent and water solution, and a damp cloth to remove shipping dust from inside wash drum.

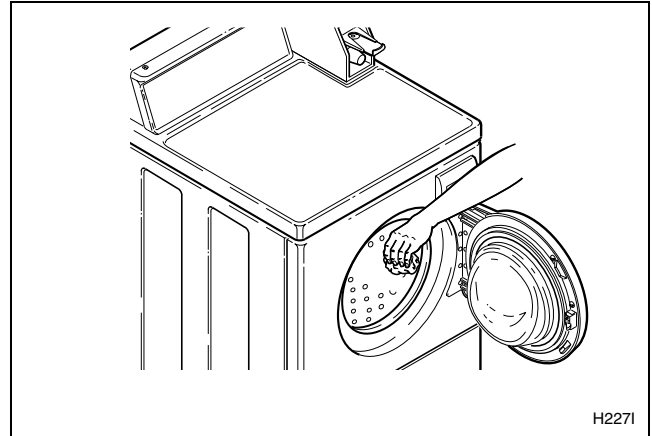


Figure 9

Step 7: Plug In the Washer

Refer to section on *Electrical Requirements* and plug the washer in.

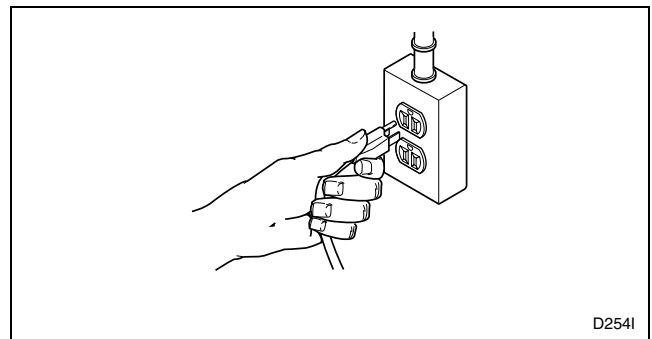


Figure 10

Step 8: Check Installation

Refer to *Installer Checklist* on the back cover and make sure that washer is installed correctly.

Moving Washer to a New Location

To prevent damage while moving the washer, the shipping materials **MUST** be reinstalled.

Reinstallation of Shipping Materials

Remove front access panel by removing two screws.

Place the shock sleeves on all four shock absorbers. Refer to *Figure 11*.

Insert hooked end of shipping brace into the open slot of the motor mount. Attach with bolts and lockwashers. Refer to *Figure 11*.

Reinstall front access panel.

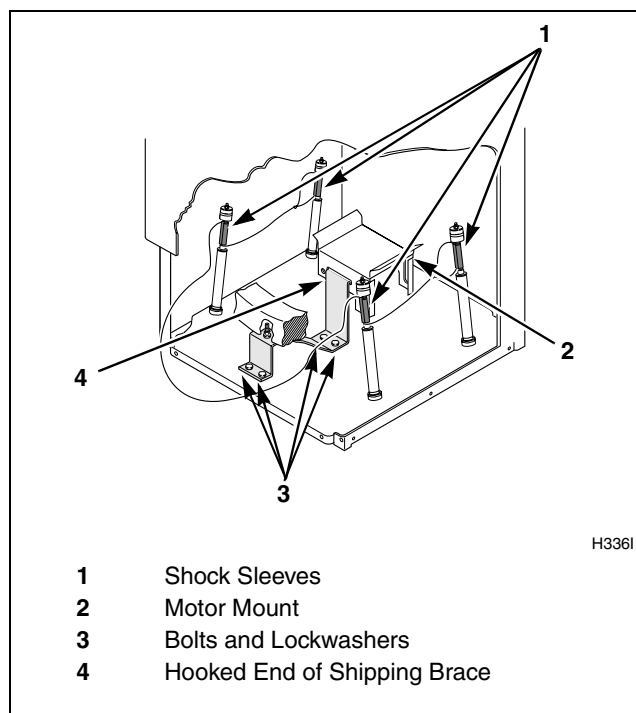



Figure 11

Refer to step 5 for proper procedures whenever the washer is moved.

Electrical Requirements

(120 Volt, 60 Hertz with 3-Prong Grounding Plug)

NOTE: The wiring diagram is located in the control cabinet.

	WARNING
<p>To reduce the risk of fire, electric shock, serious injury or death, all wiring and grounding MUST conform with the latest edition of the National Electrical Code, ANSI/NFPA No. 70, and such local regulations as might apply. It is the customer's responsibility to have the wiring and fuses checked by a qualified electrician to make sure the laundry room has adequate electrical power to operate the washer.</p>	
<small>W227</small>	

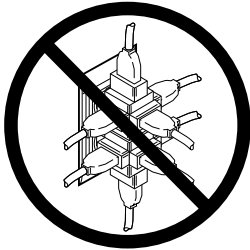

<p>DO NOT OVERLOAD CIRCUITS</p> <p>DO NOT USE ADAPTER</p> <p>DO NOT USE AN EXTENSION CORD</p>	
<small>D0091</small>	

Figure 12

The washer is designed to be operated on a separate branch, polarized, three-wire, effectively grounded, 120 Volt, 60 Hertz, AC (alternating current) circuit protected by a **15 ampere fuse**, equivalent fusetrone or circuit breaker.


The three-prong grounding plug on the power cord should be plugged directly into a polarized three-slot effectively grounded receptacle rated 110/120 Volts AC (alternating current) 15 Amps. Refer to *Figure 13* to determine correct polarity of the wall receptacle.

DO NOT OPERATE OTHER APPLIANCES ON THE SAME CIRCUIT. DO NOT OVERLOAD CIRCUITS!

	WARNING
<p>To reduce the risk of an electric shock or fire, DO NOT use an extension cord or an adapter to connect the washer to the electric power source.</p>	
<small>W082</small>	

Grounding Instructions

The washer must be grounded. In the event of malfunction or breakdown, grounding will reduce the risk of electric shock by providing a path of least resistance for electric current. The washer is equipped with a cord having an equipment-grounding conductor and a 3-prong grounding plug. The plug must be plugged into an appropriate outlet that is properly installed and grounded in accordance with all local codes and ordinances.

	WARNING
<p>Improper connection of the equipment-grounding conductor can result in a risk of electric shock. Check with a qualified electrician or serviceman if you are in doubt as to whether the washer is properly grounded.</p>	
<small>W216</small>	

Do not modify the plug provided with the washer – if it will not fit the outlet, have a proper outlet installed by a qualified electrician.

NOTE: Have a qualified electrician check the polarity of the wall receptacle. If a voltage reading is measured other than that illustrated, the qualified electrician should correct the problem.

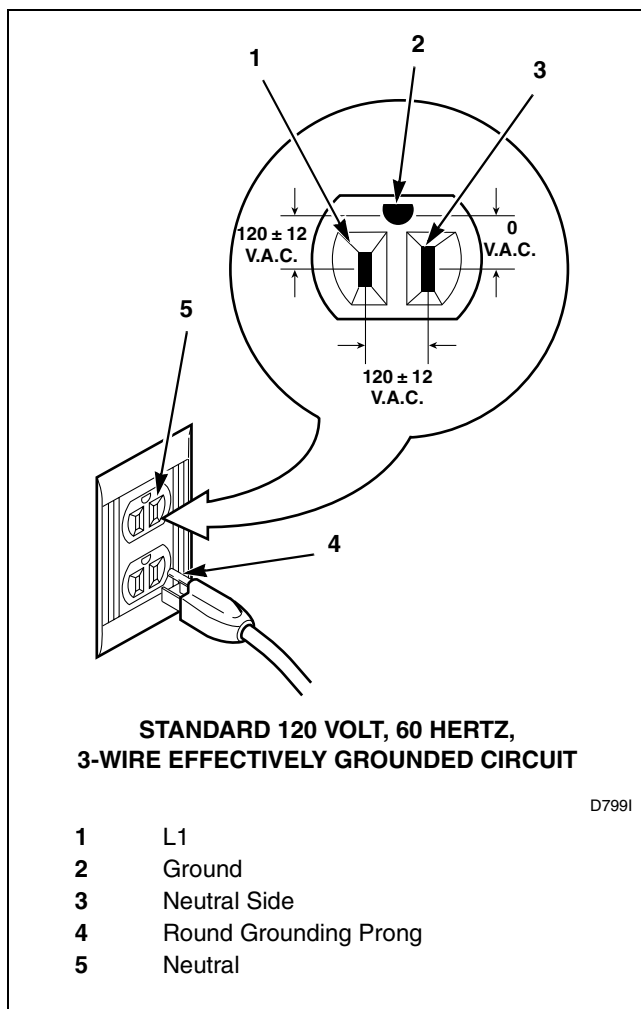



Figure 13

Water Supply Requirements

	WARNING
<p>Under certain conditions, hydrogen gas may be produced in a hot water system that has not been used for two weeks or more. HYDROGEN GAS IS EXPLOSIVE. If the hot water system has not been used for such a period and before using the washer, turn on all hot water faucets and let the water flow from each for several minutes. This will release any accumulated hydrogen gas. The gas is flammable. Do not smoke or use an open flame during this time.</p>	
<small>W029</small>	

NOTE: Water supply faucets must fit standard 3/4 inch (19.1 mm) female garden hose couplings. **DO NOT USE SLIP-ON OR CLAMP-ON CONNECTIONS.**

NOTE: Water supply faucets should be readily accessible to permit turning them off when washer is not being used.

Water Temperature

Cold:

Recommended cold water temperature is 60° to 80° Fahrenheit (16° to 27° Celsius).

Hot:

Recommended hot water temperature is 120° to 140° Fahrenheit (49° to 60° Celsius).

Warm:

Mixture of hot and cold water. (Warm water temperature is dependent upon the water temperature and the pressure of both the hot and cold water supply lines.)

IMPORTANT: Turn off water supply faucets after check-out and demonstration. Owner should turn off water supply whenever there will be an extended period of non-use.

NOTE: Longer inlet hoses are available (as optional equipment at extra cost) if the hoses supplied with the washer are not long enough for the installation. Order hoses as follows:

- No. 20617 Inlet Hose (8 feet) (2.44 m)
- No. 20618 Inlet Hose (10 feet) (3.05 m)

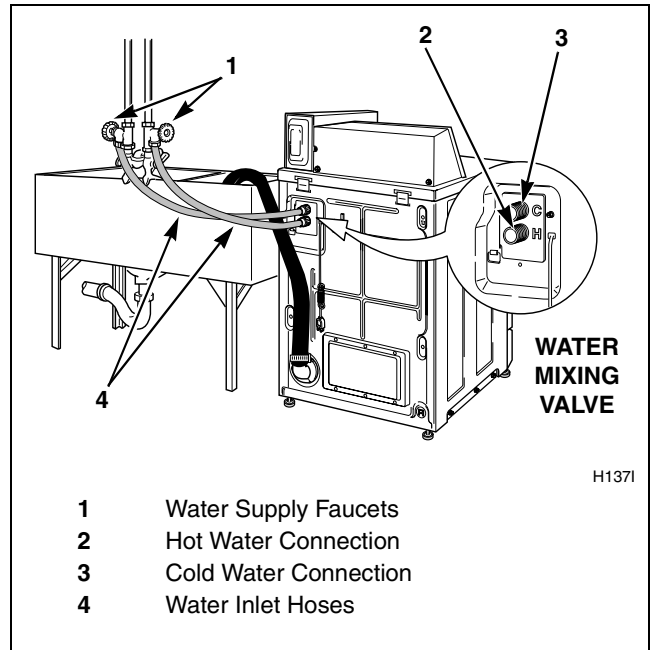


Figure 14

Water Pressure

Pressure must be a minimum of 20 to a maximum of 120 pounds per square inch (138 to 827 kPa) static pressure measured at the faucet.

NOTE: Water pressure under 20 pounds per square inch (138 kPa) will cause an extended fill time in the washer and may not properly flush out the detergent dispenser.

Risers

Risers (or air cushions) may have to be installed if the pipes knock or pound when flow of water stops. The risers are more efficient when installed as close as possible to the water supply faucets (refer to *Figure 15*).

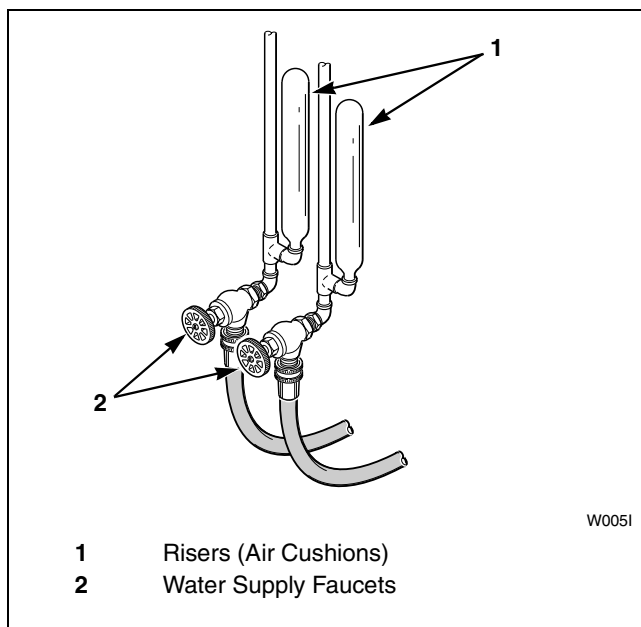


Figure 15

Operation

Operation Instructions for Electromechanical Washers

IMPORTANT: Prior to first wash, use an all-purpose cleaner, or a detergent and water solution, and a damp cloth to remove shipping dust from inside of washtub.

Step 1: Load Laundry

Load items loosely into wash drum.



Figure 16

Step 2: Close Loading Door

Close the loading door tightly. The washer will not operate with the loading door open.

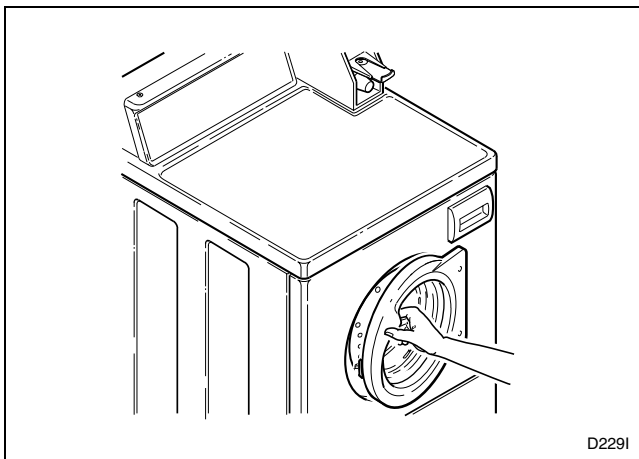



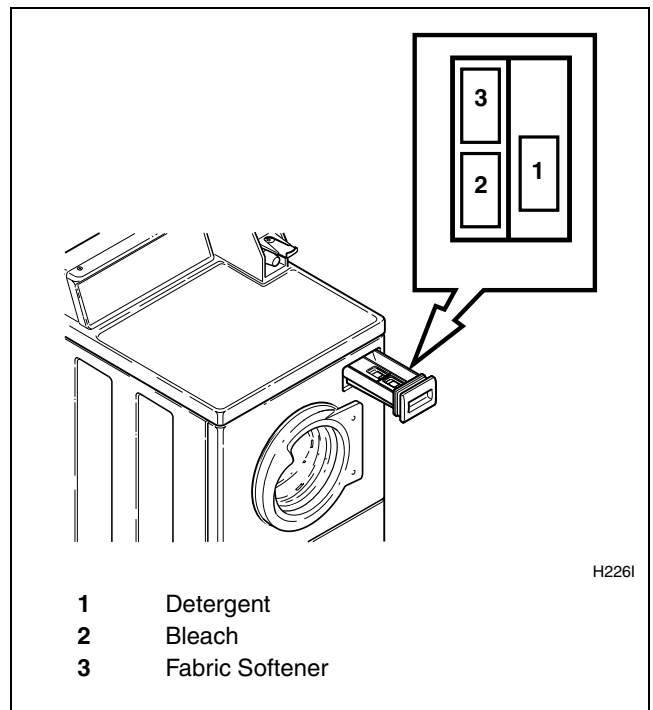
Figure 17

Step 3: Add Laundry Supplies

Open dispenser drawer. Measure and add low sudsing detergent (1), bleach (2) and fabric softener (3) to the dispenser drawer (refer to *Figure 18*). Close dispenser drawer.

IMPORTANT: If using detergents made for topload washers, avoid oversudsing by using 1/2 of the recommended amount.

	CAUTION
Dispenser drawer requires a special tool for removal. Contact a service person if removal is necessary.	
W236	



1	Detergent
2	Bleach
3	Fabric Softener

Figure 18

Operation

Step 4: Set Fabric Selector

Set regular loads at **NORMAL** or **PERM PRESS**. Set delicate loads at **DELICATE**.



Figure 19

Step 5: Set WASH/RINSE Temperatures

Set at **HOT** (COLD rinse), **WARM** (COLD rinse) or **COLD** (COLD rinse).

NOTE: Always follow manufacturer's care labels.

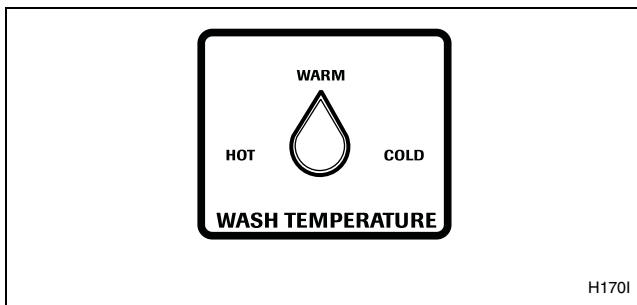


Figure 20

Step 6: Insert Money

Place coin(s) in slide and carefully push in as far as possible and then pull slide out as far as possible. After **IN USE** light comes on (indicating start of cycle), press the **PUSH-TO-START** button.

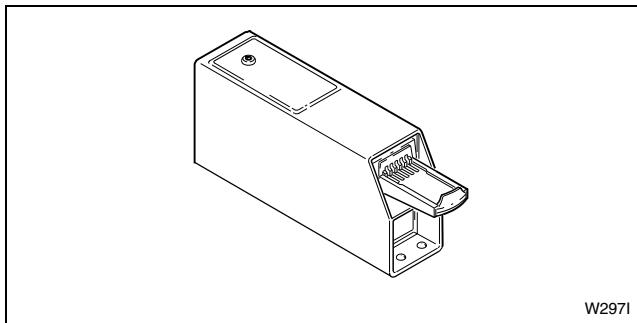


Figure 21

Indicator Lights

IN USE

This light will remain on while washer is in use.

DOOR LOCKED

This light will come on after the start button has been pushed and the washer door has locked. It will remain on until the wash cycle has ended.

FINAL SPIN AND TUMBLE


This light will come on at the start of the final spin and remain on until the wash cycle has ended.

CLOSE DOOR

This light will come on if door is not closed tightly. Firmly push door until light goes out.

IMPORTANT: If washer fails to operate properly after installation, make sure electrical service and water supply faucets are turned on. Are all the controls properly set? Have a qualified service person refer to the wiring diagram (located inside of cabinet) and check for broken, loose or incorrect wiring.

NOTE: Once a cycle has started, the door can only be opened by first unplugging the power cord and waiting one minute.

	WARNING
To reduce the risk of bodily injury, do not remove laundry from washer until all lights are out, and all moving parts have stopped.	
<small>W092</small>	

The washer will stop (pause) shortly before the first spin and final spin.

Operation Instructions for MDC Washers

IMPORTANT: Prior to first wash, use an all-purpose cleaner, or a detergent and water solution, and a damp cloth to remove shipping dust from inside of washtub.

Step 1: Set Fabric Selector and Wash Temperature

Push touchpad for **NORMAL/HOT**, **NORMAL/WARM**, **PERM PRESS/WARM** or **DELICATES/COLD** cycle. Light indicates selection.

NOTE: Changes can be made to Fabric Selector setting up until the first fill is complete.

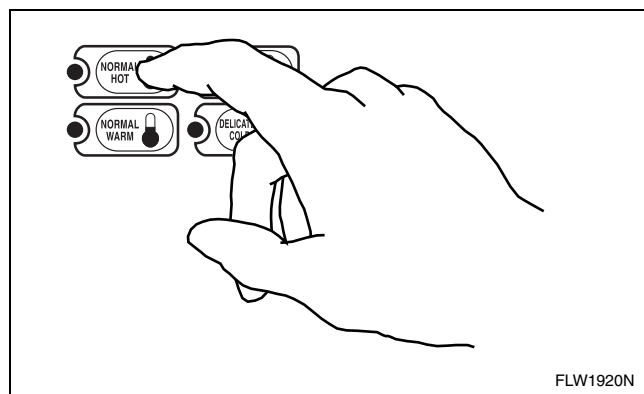


Figure 22

Step 2: Add Laundry Supplies

Open dispenser drawer. Measure and add low sudsing detergent (1), bleach (2) and fabric softener (3) to the dispenser drawer (refer to *Figure 23*). Close dispenser drawer.

IMPORTANT: If using detergents made for topload washers, avoid oversudsing by using 1/2 of the recommended amount.

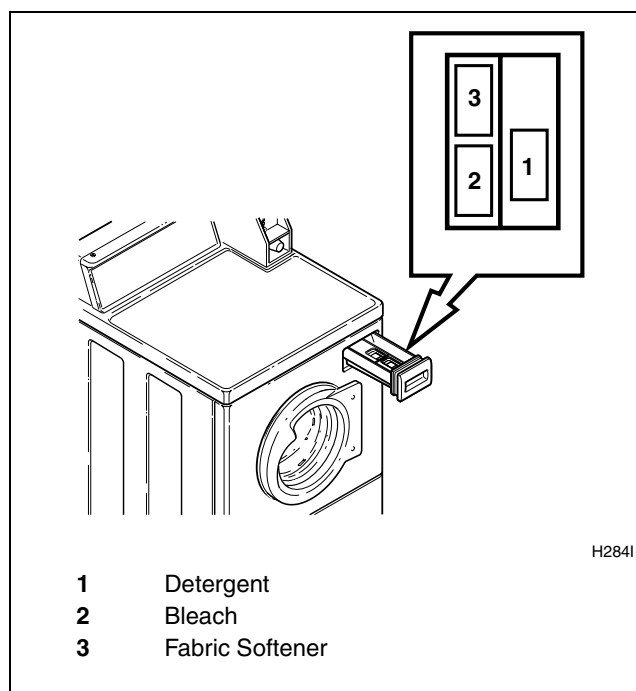


Figure 23

	CAUTION
Dispenser drawer requires a special tool for removal. Contact a service person if removal is necessary.	
W236	

Operation

Step 3: Load Laundry

Load items loosely into wash drum.

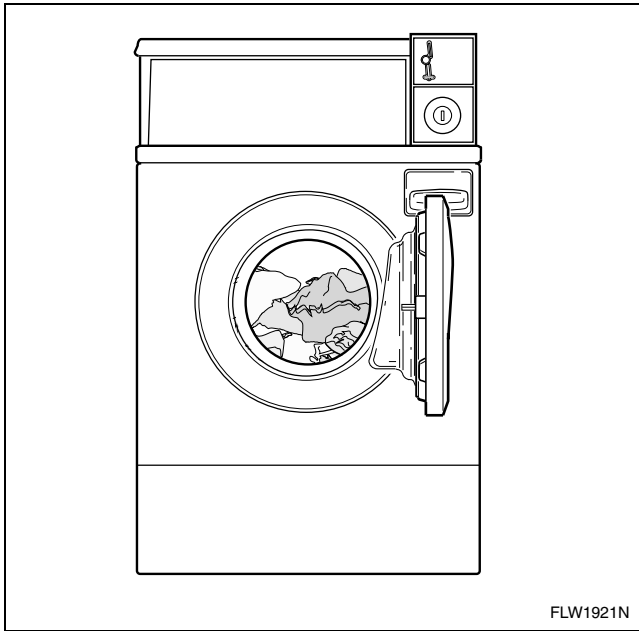


Figure 24

Step 4: Close Loading Door

Close loading door tightly. The washer will not operate with the loading door open.

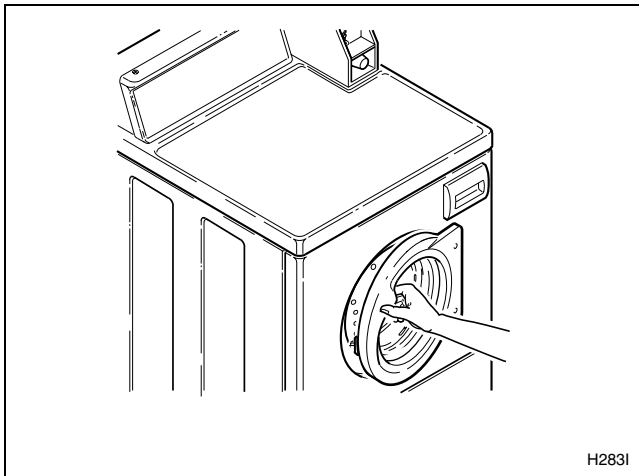


Figure 25

Step 5: Insert Coin(s) or Card

To Insert Money

Check pricing as seen on digital display.

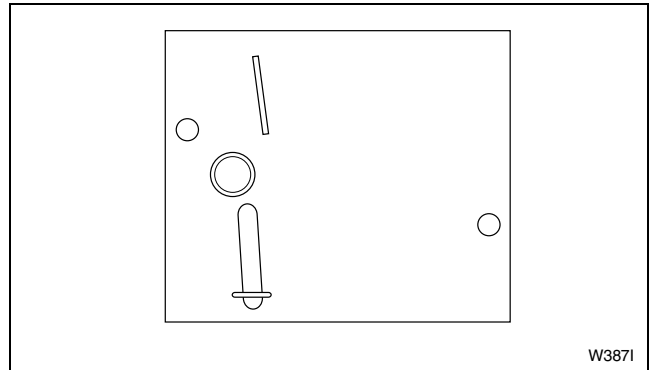


Figure 26

To Insert Card

Insert card into opening.



Figure 27

Step 6: Start Washer

After vend price has been satisfied, push the **START** pad. **DOOR MUST BE CLOSED TO START WASHER.**

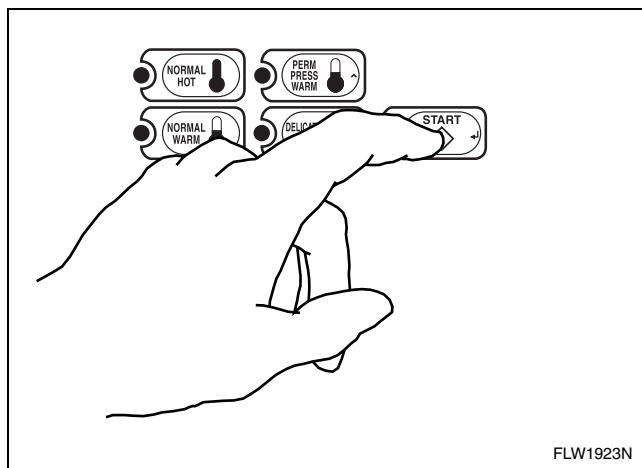


Figure 28

Indicator Lights

WASH

WASH is lit at the beginning of a wash cycle and will remain lit until the wash cycle is complete.

RINSE

RINSE is lit at the beginning of all RINSE cycles and will remain lit until the rinse cycle is complete.

SPIN

SPIN is lit for all spin cycles.

DOOR LOCKED

DOOR LOCKED is lit whenever the door is locked. The door cannot be opened when this light is on.

IMPORTANT: If washer fails to operate properly after installation, make sure electrical service and water supply faucets are turned on. Are all the controls properly set? Have a qualified serviceworker refer to the wiring diagram (located inside of washer control hood) and check for broken, loose or incorrect wiring.

NOTE: Once a cycle has started, the door can only be opened by first unplugging the power cord and waiting one minute.

	WARNING
<p>To reduce the risk of bodily injury, do not remove laundry from washer until all lights are out, and all moving parts have stopped.</p>	
W092	

Operation

Operation Instructions for NetMaster Washers

IMPORTANT: Prior to first wash, use an all-purpose cleaner, or a detergent and water solution, and a damp cloth to remove shipping dust from inside of washtub.

Step 1: Load Laundry

Load items loosely into wash drum.

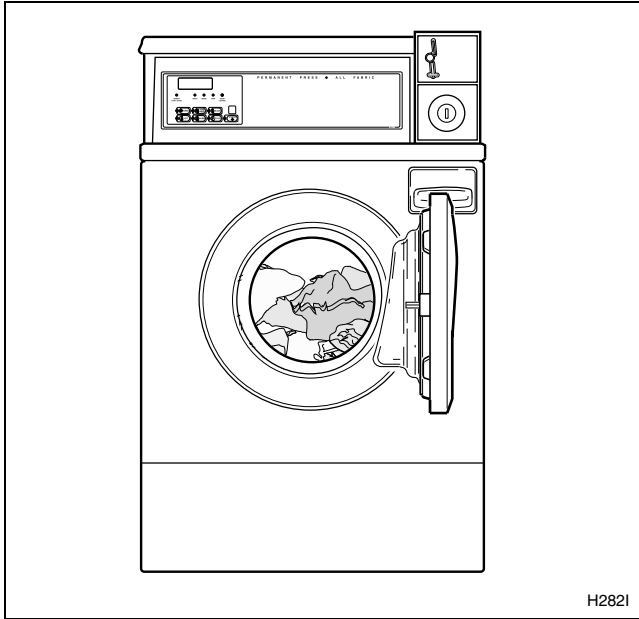


Figure 29

Step 2: Close Loading Door

Close loading door tightly. The washer will not operate with the loading door open.

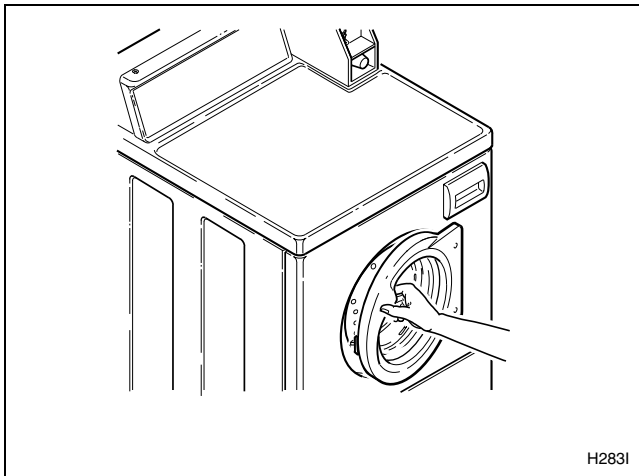


Figure 30

Step 3: Add Laundry Supplies

Open dispenser drawer. Measure and add low sudsing detergent (1), bleach (2) and fabric softener (3) to the dispenser drawer (refer to *Figure 31*). Close dispenser drawer.

IMPORTANT: If using detergents made for topload washers, avoid oversudsing by using 1/2 of the recommended amount.

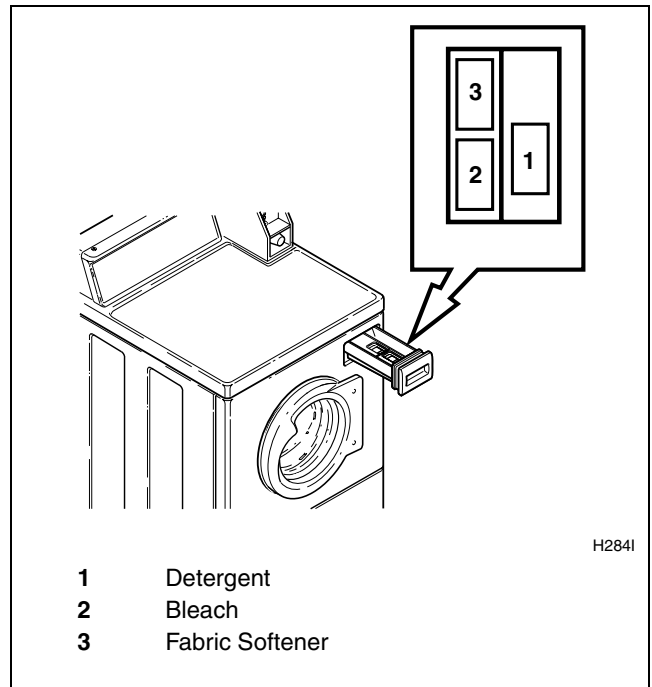


Figure 31



Step 4: Set Fabric Selector

Push touchpad for **NORMAL**, **PERM PRESS** or **DELICATES** cycle. Light indicates selection.

NOTE: Changes can be made to Fabric Selector setting up until the first fill is complete.

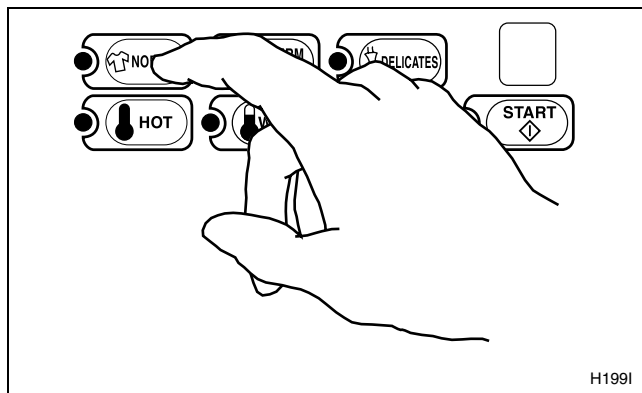


Figure 32

Step 5: Set Wash Temperature

Push touchpad for **HOT**, **WARM** or **COLD**. Light indicates selection.

NOTE: Always follow manufacturer's care labels.

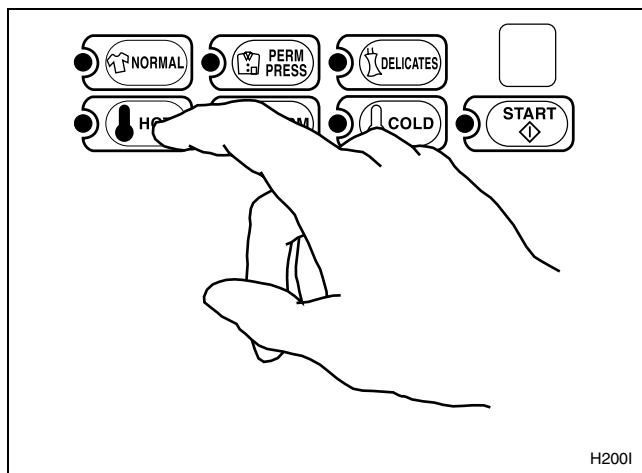


Figure 33

Step 6: Insert Coin(s) or Card

To Insert Money

Check pricing as seen on digital display.

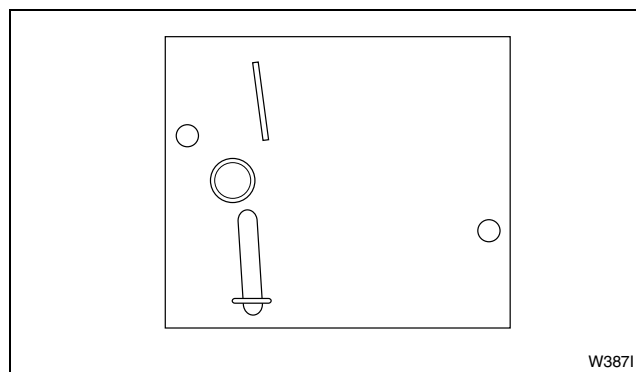


Figure 34

To Insert Card

Insert card into opening. **DO NOT REMOVE THE CARD UNTIL REMOVE CARD LED IS LIT.**

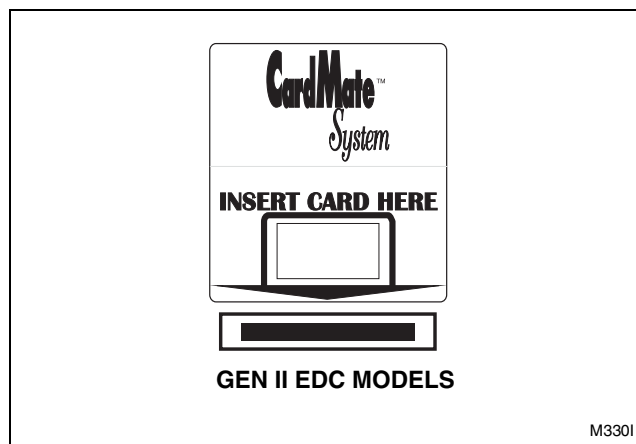


Figure 35

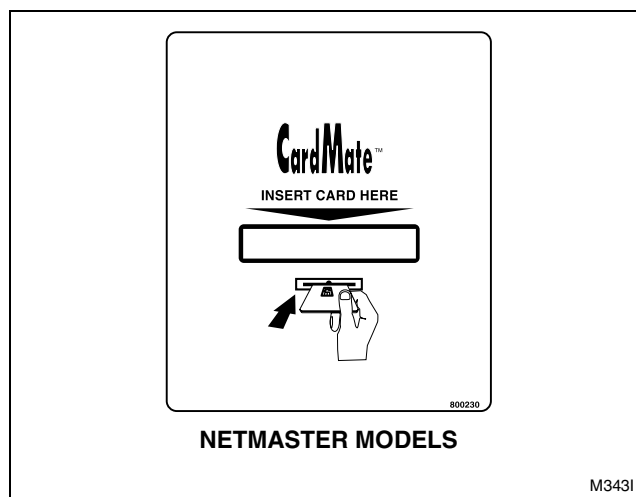


Figure 36

Operation

Step 7: Start Washer

After vend price has been satisfied, push the **START** pad. **DOOR MUST BE CLOSED TO START WASHER.**

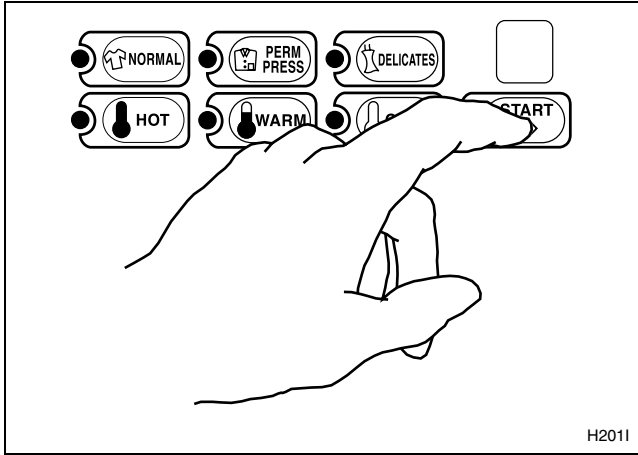


Figure 37

Indicator Lights

WASH

WASH is lit at the beginning of a wash cycle and will remain lit until the wash cycle is complete.

RINSE

RINSE is lit at the beginning of the RINSE or EXTRA RINSE cycle and will remain lit until the rinse cycle is complete.

SPIN

SPIN is lit for all spin cycles.

DOOR LOCKED

DOOR LOCKED is lit whenever the door is locked. The door cannot be opened when this light is on.

INSERT COIN/CARD


INSERT COIN/CARD is lit to prompt the user to insert coins or card to satisfy the vend price. When *INSERT COIN/CARD* is lit, the digits and decimal point show the vend price remaining to be satisfied.

REMOVE CARD (Card Models Only)

REMOVE CARD flashes after the START pad has been pressed and the vend has been deducted from the card.

IMPORTANT: If washer fails to operate properly after installation, make sure electrical service and water supply faucets are turned on. Are all the controls properly set? Have a qualified serviceworker refer to the wiring diagram (located inside of washer control hood) and check for broken, loose or incorrect wiring.

NOTE: Once a cycle has started, the door can only be opened by first unplugging the power cord and waiting one minute.

	WARNING
To reduce the risk of bodily injury, do not remove laundry from washer until all lights are out, and all moving parts have stopped.	
W092	

Maintenance

User-Maintenance Instructions

Cold Weather Care

If the washer is delivered on a cold day (below freezing), or is stored in an unheated room or area during the cold months, do not attempt to operate it until the washer has had a chance to warm up.

Care of Your Washer

Use only a damp or sudsy cloth for cleaning the control panel. Some cleaning product sprays may harm the finish on the control panel or damage the interior of the hood.

Wipe the washer cabinet as needed. If detergent, bleach or other washing products are spilled on the cabinet, wipe immediately. Some products will cause permanent damage if spilled on the cabinet.

Do not use scouring pads or abrasive cleansers.

Do not lay sharp or rough objects on or against the washer. The finish could be damaged.

The wash drum and window will need no particular care although they may need rinsing or wiping after an unusual load has been washed. Outside of window can be cleaned with household window cleaner.

Vacations and Extended Non-Use

IMPORTANT: To avoid possible property damage due to flooding, turn off the water supply to the washer whenever there will be an extended period of non-use.

Maintenance

Before You Call for Service

You may save time and money by checking the following:

If the Washer:

Won't Fill	Won't Start	Won't Tumble	Won't Spin	Won't Drain	Possible Reason – Do This to Correct
	•				Be sure power cord is plugged all the way into the electrical outlet.
•	•	•	•		Close the loading door tightly.
•	•	•	•		Check the laundry room fuse or circuit breaker.
•					Turn on the hot and cold water faucets.
		•	•		Are controls properly set?
		•	•		Broken drive belt. Call the service person.
			•	•	Foreign object trap clogged. Call the service person.
	•				Insert coin(s) or card.
	•				Activate time accumulator. Push the coin slide all the way in. (Coin Slide Models only)
	•				Press the PUSH-TO-START button.

If Service Is Required

If service is required, contact the nearest Factory Authorized Service Center.

If you are unable to locate an authorized service center or are unsatisfied with the service performed on your unit, contact:

Alliance Laundry Systems
Shepard Street
P.O. Box 990
Ripon, WI 54971-0990
U.S.A.
Phone: (920) 748-3950

When calling or writing about your unit, PLEASE GIVE THE MODEL AND SERIAL NUMBERS. The model and serial numbers are located on the nameplate. The nameplate will be in the location shown in *Figure 38*.

Please include a copy of your bill of sale and any service receipts you have.

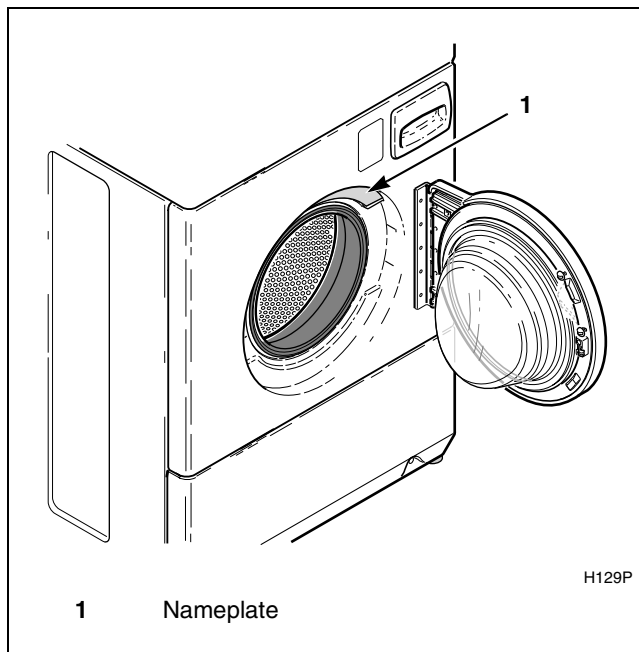


Figure 38

	WARNING
<p>To reduce the risk of serious injury or death, DO NOT repair or replace any part of the unit or attempt any servicing unless specifically recommended in the user-maintenance instructions or in published user-repair instructions that you understand and have the skills to carry out.</p>	
<small>W329</small>	

Maintenance

Information for Handy Reference

**Alliance Laundry Systems
Shepard Street
P.O. Box 990
Ripon, WI 54971-0990
U.S.A.
Phone: (920) 748-3950**

Date Purchased _____

Model Number _____ Serial Number _____

Dealer's Name _____

Dealer's Address _____ Phone Number _____

Service Agency _____

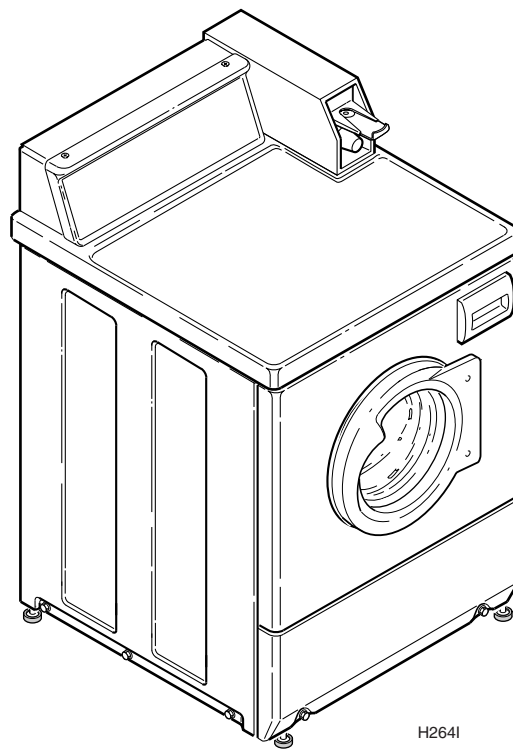
Service Agency Address _____ Phone Number _____

NOTE: Record the above information and keep your sales slip. Model and serial numbers are located on the nameplate.

Lavadoras con carga frontal

comerciales con contador de monedas

— **Instalación/Operación** —



H2641

Guarde estas instrucciones para referencia en el futuro.
(Si la lavadora cambia de dueño, asegúrese de que este manual vaya con la misma).


Alliance
Laundry Systems

www.comlaundry.com

Pieza No. 800536R3
Octubre 2002



ADVERTENCIA

Si esta máquina no se instala, mantiene y opera según las instrucciones del fabricante, podrían crearse condiciones peligrosas, que pueden derivar en lesiones personales o daño a la propiedad.

W030S

NOTA: Las instrucciones rotuladas como **ADVERTENCIA** e **IMPORTANTE** que aparecen en este manual no pretenden contemplar todas las posibles condiciones y situaciones que pueden presentarse. El sentido común, la precaución y la cautela son factores que **NO PUEDEN** incluirse en el diseño de estas lavadoras. Estos factores **DEBERÁN SER** aportados por la persona que realice la instalación, mantenimiento y operación de la lavadora.

Comuníquese siempre con el concesionario, distribuidor, agente de servicios o fabricante cuando tenga problemas o se encuentre en una situación que no comprenda.

Contenido

Piezas de repuesto	39
Instrucciones de seguridad importantes	41
Instalación	43
Dimensiones y especificaciones	43
Contador de monedas	44
Antes de comenzar.....	44
Herramientas	44
Suministro eléctrico	44
Requisitos de suministro de agua.....	44
Instalación de la lavadora	45
Paso 1: Coloque la lavadora cerca del área de instalación.....	45
Paso 2: Conecte las mangueras de suministro de agua	45
Paso 3: Conexión de la manguera de desagüe en el receptáculo de desagüe	46
Paso 4: Coloque la lavadora en su lugar y nivélela	47
Paso 5: Saque los manguitos de amortiguador y el tirante sujetador	48
Paso 6: Limpie el interior del tambor de la lavadora.....	48
Paso 7: Enchufe la lavadora.....	48
Paso 8: Verifique la instalación	48
Desplazamiento de la lavadora a un nuevo sitio.....	49
Requisitos eléctricos	50
Instrucciones para la conexión a tierra.....	50
Requisitos de suministro de agua	52
Temperatura del agua.....	52
Presión del agua	52
Tubos ascendentes	53
Operación	55
Instrucciones de operación de lavadoras electromecánicas.....	55
Paso 1: Cargue la lavadora.....	55
Paso 2: Cierre la puerta de carga.....	55
Paso 3: Agregue los suministros para lavar	55
Paso 4: Ajuste el selector de tela.....	56
Paso 5: Seleccione las temperaturas de lavado y enjuague (WASH/RINSE).....	56
Paso 6: Deposite la(s) moneda(s).....	56
Luces indicadoras.....	56
Instrucciones de funcionamiento de las lavadoras MDC	57
Paso 1: Ajuste el selector de tela y la temperatura de lavado	57
Paso 2: Agregue los suministros para lavar	57
Paso 3: Cargue la lavadora.....	58
Paso 4: Cierre la puerta de carga.....	58
Paso 5: Inserte la(s) moneda(s) o la tarjeta	58
Paso 6: Arranque la lavadora	59
Luces indicadoras.....	59

© Copyright 2002, Alliance Laundry Systems LLC

Reservados todos los derechos. Ninguna sección del presente manual puede ser reproducida o transmitida en forma alguna o a través de ningún medio sin el expreso consentimiento por escrito del editor.

Instrucciones de funcionamiento de las lavadoras NetMaster.....	60
Paso 1: Cargue la lavadora.....	60
Paso 2: Cierre la puerta de carga.....	60
Paso 3: Agregue los suministros para lavar	60
Paso 4: Ajuste el selector de tela.....	61
Paso 5: Seleccione la temperatura de lavado	61
Paso 6: Inserte la(s) moneda(s) o la tarjeta	61
Paso 7: Arranque la lavadora	62
Luces indicadoras.....	62
Mantenimiento	63
Instrucciones de mantenimiento para el usuario.....	63
Cuidados en climas fríos	63
Cuidado de la lavadora.....	63
Vacaciones y falta de uso de la lavadora durante un período prolongado.....	63
Antes de llamar para solicitar servicio de reparación.....	64
Si la unidad necesita servicio.....	65
Información de referencia.....	66
Lista de comprobación del instalador	Contradportada

Piezas de repuesto


Si necesita piezas de repuesto, llame al distribuidor donde haya comprado su lavadora o póngase en contacto con:

Alliance Laundry Systems
Shepard Street
P.O. Box 990
Ripon, WI 54971-0990
U.S.A.
Teléfono: (920) 748-3950

para obtener el nombre y la dirección del distribuidor autorizado de piezas de repuesto más cercano.

Instrucciones de seguridad importantes

(Guarde estas instrucciones)

	ADVERTENCIA
Para reducir el riesgo de causar un incendio, o de sufrir una descarga o sacudida eléctrica, lesiones personales serias o la muerte, al usar su lavadora cumpla con estas precauciones básicas:	
<small>W023S</small>	

1. Lea todas las instrucciones antes de utilizar la lavadora.
2. Remítase a la sección de INSTRUCCIONES DE CONEXIÓN A TIERRA del manual de INSTALACIÓN para una correcta conexión a tierra de su lavadora.
3. No lave prendas que se hayan limpiado, lavado, sumergido o tratado con gasolina, solventes para lavar al seco u otras sustancias inflamables o explosivas, o que tengan rastros de dichas sustancias. Estas sustancias despiden gases que pueden encenderse o explotar.
4. No agregue gasolina, solventes para lavar al seco u otras sustancias explosivas o inflamables al agua que utilizará para el lavado. Estas sustancias despiden vapores que pueden encenderse o explotar.
5. En ciertos casos, cuando no se utiliza el sistema de agua caliente durante dos semanas o más, puede almacenarse gas hidrógeno en dicho sistema. **EL GAS HIDRÓGENO ES EXPLOSIVO.** Si no ha utilizado el sistema de agua caliente durante dos semanas o más, antes de usar la lavadora o la combinación de lavadora secadora, abra todos los grifos del agua caliente y deje que el agua fluya por ellos durante un tiempo. De esta manera, se liberará todo el gas hidrógeno acumulado. Dicho gas es inflamable. No fume ni utilice llama abierta durante este lapso de tiempo.
6. No deje que los niños jueguen sobre o dentro de la lavadora. Debe supervisarse cuidadosamente a los niños cuando se utiliza la lavadora cerca de ellos. Esta es una medida de seguridad para todos los artefactos eléctricos.
7. Antes de sacar de servicio la lavadora o desecharla, saque la tapa del compartimiento de lavado.
8. No introduzca la mano en la lavadora si la tina o el agitador está en movimiento.
9. No instale ni coloque la lavadora en un lugar donde esté expuesta al agua o a la intemperie.
10. No manipule indebidamente los controles de la lavadora.
11. No repare ni cambie ninguna pieza de la lavadora, ni trate de repararla, salvo que las instrucciones de mantenimiento para el usuario lo recomienden de manera expresa, o lo indiquen las instrucciones de reparación del usuario que usted está en capacidad de entender y llevar a cabo.
12. Para reducir el riesgo de descarga eléctrica o incendio, **NO UTILICE** extensiones ni adaptadores para conectar la lavadora al tomacorriente.
13. Utilice su lavadora sólo para la finalidad con la que fue fabricada, es decir, para lavar ropa.
14. Desconecte **SIEMPRE** la lavadora del tomacorriente antes de hacerle cualquier mantenimiento. Desconecte el cable de suministro de energía eléctrica sujetando el tomacorriente en lugar de tirar del cable.
15. Instale la lavadora siguiendo las **INSTRUCCIONES DE INSTALACIÓN**. Todas las conexiones de agua, desagüe, suministro de energía eléctrica y tierra deben cumplir con las normas establecidas en los códigos locales y deben ser realizadas por personal autorizado, cuando el caso lo amerite. No realice las conexiones usted mismo a menos que sepa cómo hacerlo.
16. Para reducir los riesgos de incendios, no debe introducirse en la lavadora ropa con rastros de sustancias inflamables, como por ejemplo, aceite vegetal, aceite de cocina, aceite para lubricar máquinas, productos químicos inflamables, diluyente de pinturas, etc., y prendas que contengan ceras u otros productos químicos, tales como mopas y paños de limpieza. Estas sustancias inflamables pueden provocar que las telas se prendan en fuego.
17. No utilice suavizadores de ropa o productos para eliminar la estática, a menos que lo recomiende el fabricante del suavizador o del producto.

Instrucciones de seguridad importantes

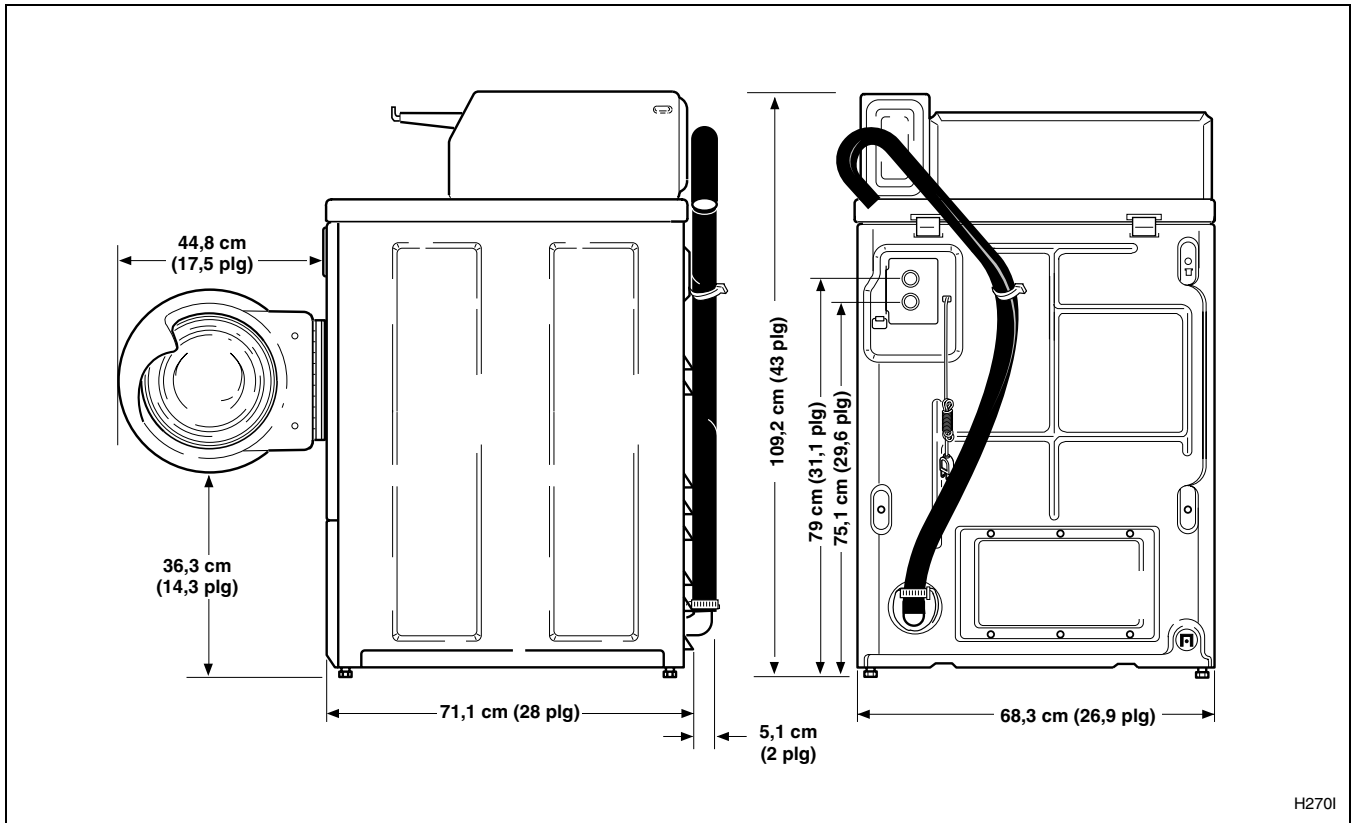
18. Conserve su lavadora en buen estado. Golpear o dejar caer la lavadora puede dañar los dispositivos de seguridad. Si esto ocurre, haga revisar la lavadora con personal de mantenimiento calificado.
19. Si el cordón de alimentación eléctrica está dañado, deberá ser reemplazado por un cordón o conjunto especial, que puede adquirirse a través del fabricante o de su agente de servicio.
20. Asegúrese de que las conexiones de agua tengan una válvula de corte y que las conexiones de las mangueras de llenado estén bien apretadas. CIERRE las válvulas de corte cuando termine la jornada.
21. La puerta de carga DEBERÁ ESTAR CERRADA cuando la lavadora se esté llenando o cuando esté funcionando el agitador o el ciclo de centrifugado. NO anule el seguro de la puerta de carga, permitiendo que la lavadora funcione (lavado y centrifugado) con la puerta abierta.
22. Lea y aplique siempre las instrucciones del fabricante que se encuentran en los paquetes de productos para la limpieza y lavado. Respete las advertencias o precauciones. Para reducir el riesgo de envenenamiento o quemaduras con productos químicos, mantenga en todo momento dichos productos fuera del alcance de los niños (guárdelos preferiblemente en un gabinete con llave).
23. Siga siempre las instrucciones para el cuidado de la ropa suministradas por el fabricante de las prendas de vestir.
24. Nunca ponga a funcionar la lavadora sin tener todos los protectores o paneles colocados en su posición.
25. NO ponga a funcionar la lavadora con piezas dañadas o rotas.
26. NO anule ningún dispositivo de seguridad.
27. El incumplimiento de las instrucciones del fabricante para la instalación, mantenimiento u operación de la lavadora podría provocar lesiones personales o daños a la propiedad.

NOTA: Las INSTRUCCIONES DE SEGURIDAD IMPORTANTES y ADVERTENCIAS que se presentan en este manual no pretenden contemplar todas las posibles situaciones y condiciones que pudieran presentarse. La instalación, mantenimiento y operación de la lavadora deben realizarse con sentido común, precaución y cuidado.

Comuníquese siempre con el vendedor, distribuidor, agente de servicios o fabricante cuando tenga problemas o se encuentre en una situación que no comprenda.

Instalación

Dimensiones y especificaciones



Instalación

Contador de monedas

El contador de monedas instalado de fábrica no incluye el cerrojo de la puerta de servicio, el deslizador, el cajón de monedas, el seguro del cajón de monedas ni las llaves. Estas piezas deben ser pedidas (a un costo adicional) de acuerdo a las necesidades del comprador, directamente del fabricante de su elección.

NOTA: Usted tiene la opción de usar un seguro del tipo que se atornilla o un seguro de 1/4 de vuelta en la puerta de servicio del contador de monedas. Si decide usar un seguro del tipo que se atornilla, entonces debe usar una ménsula o soporte especial (dentro de la caja del contador de monedas). **NO** use la ménsula ni soporte especial si utiliza el seguro de 1/4 de vuelta.

Seguridad del cajón para monedas – Para obtener seguridad adicional, perfore los dos orificios piloto a cada lado en la parte delantera de la caja del contador de monedas a 6,4 ó 7,9 mm (1/4 de vuelta ó 5/16 plg) e instale un seguro para bicicleta a través de estos orificios.

Antes de comenzar

Herramientas

Éstas son las principales herramientas que necesitará en la mayoría de las instalaciones:

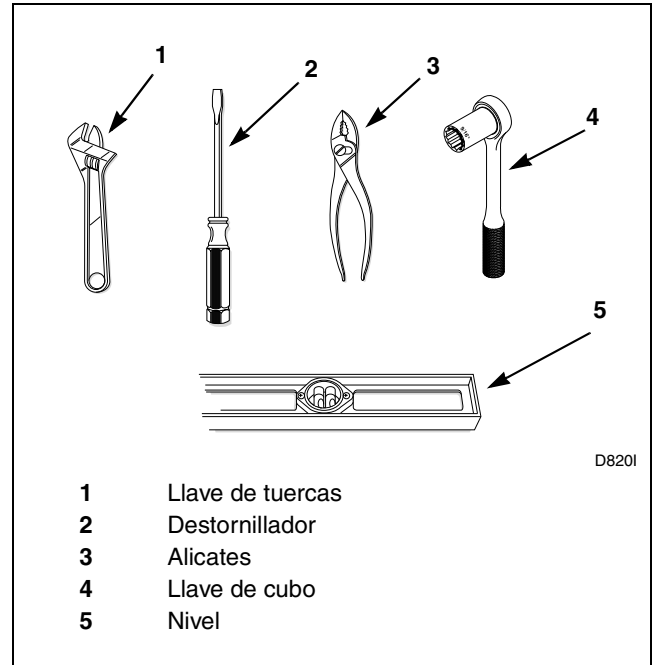


Figura 1

Suministro eléctrico

Consulte la placa de identificación para determinar los requisitos eléctricos específicos. Para obtener más detalles, consulte la sección de **Requisitos eléctricos**.

Requisitos de suministro de agua

La lavadora trabaja con dos grifos estándar de 19,1 mm (3/4 plg) para el suministro de agua con una presión que oscile entre 138 a 827 kPa (20 y 120 libras por pulgada cuadrada). Para obtener más detalles, consulte la sección de **Requisitos de suministro de agua**.

Instalación de la lavadora

Paso 1: Coloque la lavadora cerca del área de instalación

Mueva la lavadora hasta una distancia no mayor de 1,2 metros (4 pies) del área de instalación deseada.

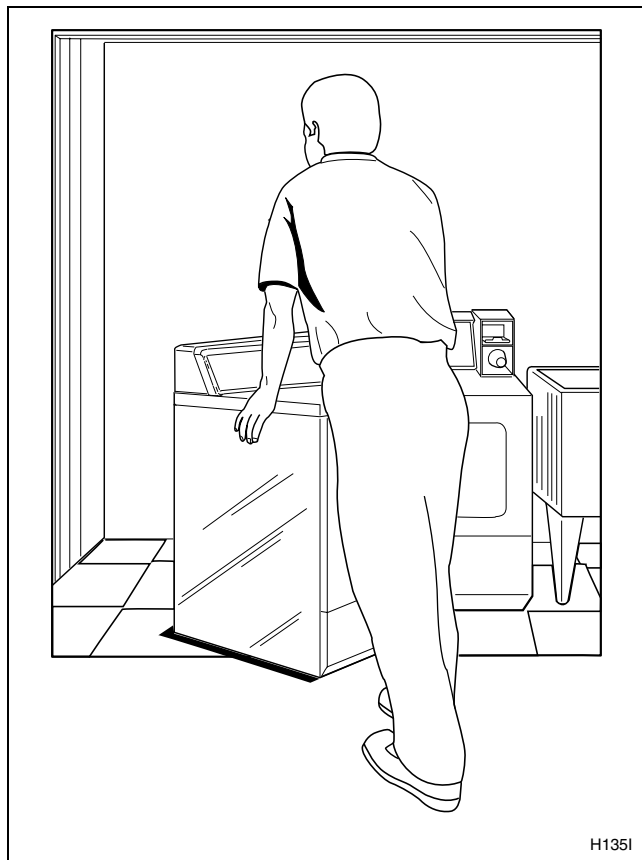


Figura 2

Paso 2: Conecte las mangueras de suministro de agua

NOTA: Consulte la sección de *Requisitos de suministro de agua* antes de conectar las mangueras de suministro de agua.

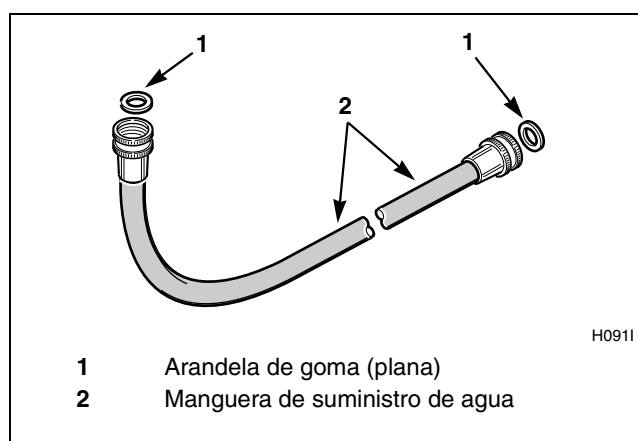
Saque las cuatro arandelas de goma planas de la bolsa de accesorios e instálelas como se indica en la *Figura 3*.

Abra los grifos de suministro de agua y limpie las tuberías dejando que el agua fluya por aproximadamente dos minutos para eliminar cualquier material extraño que pueda obstruir las mallas de la válvula para mezclar el agua.

NOTA: Cuando instale la lavadora en un local recién construido o remodelado debe limpiar las tuberías dejando que el agua fluya, ya que pudo haberse acumulado material en las mismas durante la construcción.

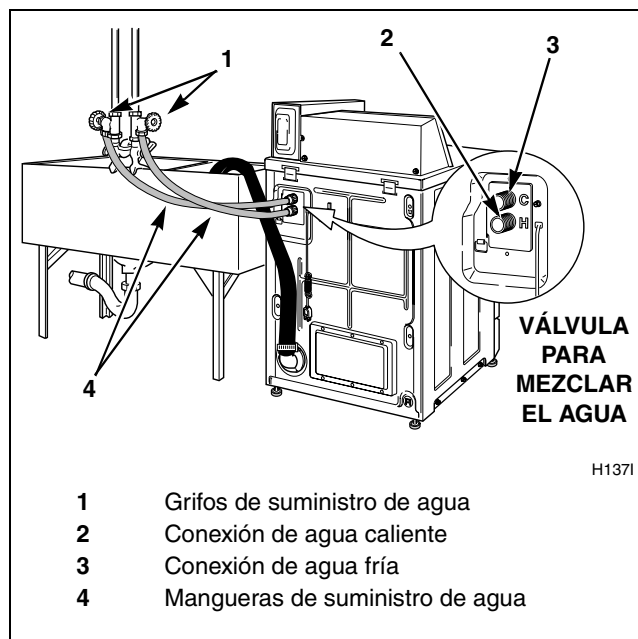
IMPORTANTE: Enrosque a mano las uniones en las conexiones de válvula y seguidamente gire aproximadamente un 1/4 de vuelta con la ayuda de un alicate. Asegúrese de enroscar correctamente las uniones y de **NO** apretarlas excesivamente.

Abra el grifo de agua y determine si hay fugas. Si detecta alguna fuga, reajuste las uniones de la manguera. Siga apretando y revise hasta eliminar las fugas.



- 1 Arandela de goma (plana)
- 2 Manguera de suministro de agua

Figura 3



- 1 Grifos de suministro de agua
- 2 Conexión de agua caliente
- 3 Conexión de agua fría
- 4 Mangueras de suministro de agua

VÁLVULA PARA MEZCLAR EL AGUA

Figura 4

Instalación

Paso 3: Conexión de la manguera de desagüe en el receptáculo de desagüe

Saque la manguera del lugar de embarque en la parte trasera de la lavadora, desenganchando la manguera de la abrazadera de fijación o retirando la cinta de embarque.

IMPORTANTE: El receptáculo de desagüe debe ser el apropiado para una manguera de desagüe con un diámetro exterior de 3,5 cm (1-3/8 plg) como mínimo.

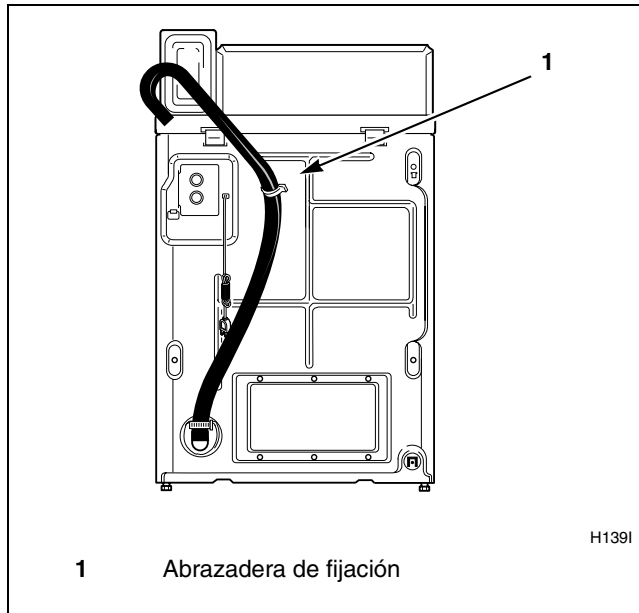


Figura 5

Instalación del tubo vertical de desagüe

Coloque la manguera de desagüe dentro del tubo vertical de desagüe.

Saque la abrazadera perlada de la bolsa de accesorios, colóquela alrededor del tubo vertical de desagüe y la manguera de desagüe, y apriete la correa para sujetar la manguera al tubo vertical de desagüe. Así se evita que se salga la manguera del receptáculo de desagüe cuando se esté utilizando.

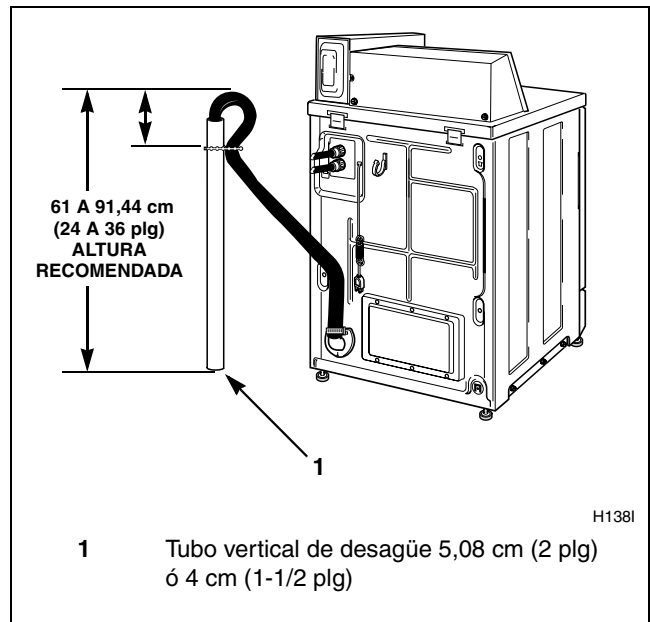



Figura 6

Paso 4: Coloque la lavadora en su lugar y nivélela

	ADVERTENCIA
<p>Las lavadoras elevadas sobre el nivel del piso deberán fijarse mediante pernos de anclaje a la superficie elevada, base o plataforma. El material usado para elevar la lavadora deberá estar también anclado al piso para impedir que la lavadora se desplace de su lugar al funcionar, y para evitar que pueda ser empujada, inclinada o deslizada de su posición de instalación. De no hacerlo, pueden presentarse condiciones peligrosas que podrían ocasionar daños a la propiedad o lesiones graves e incluso fatales.</p>	
W306S	

Coloque la lavadora en su posición sobre un piso limpio, firme y suficientemente nivelado. No es recomendable instalar la lavadora sobre alfombras de ningún tipo.

Afloje las tuercas de seguridad de 7/8 plg y ajuste las patas de nivelación frontales y posteriores hasta que la lavadora quede nivelada, no solo en sentido lateral sino también de atrás hacia adelante (use un nivel para este procedimiento). La lavadora no debe cojear.

NOTA: El nivel deberá colocarse sobre la posición elevada del panel superior. Consulte la Figura 7.

Apriete las tuercas de seguridad firmemente contra la base de la lavadora con una llave de 7/8 plg. Si las tuercas de seguridad no se aprietan debidamente, la lavadora se moverá de su posición al funcionar.

NOTA: NO deslice la lavadora sobre el piso con las patas niveladoras extendidas ya que podrían resultar dañadas.

NOTA: El uso de la gaveta del surtidor o de la puerta de la lavadora como agarradera al transportar la lavadora puede dañar el surtidor o la puerta.

Saque las patas de goma que vienen en la bolsa de accesorios y colóquelas en las patas de nivelación.

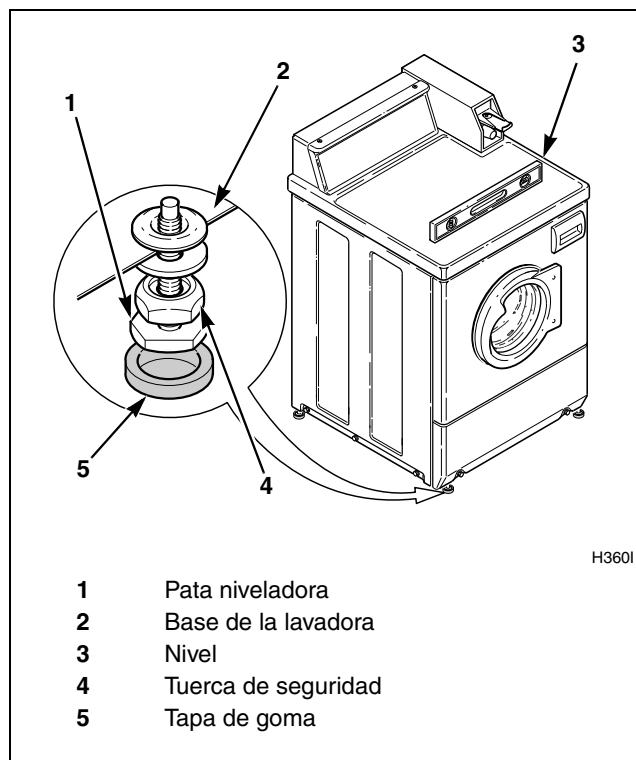


Figura 7

Instalación

Paso 5: Saque los manguitos de amortiguador y el tirante sujetador

Desmonte el panel de acceso frontal sacando los dos tornillos.

Saque los pernos y arandelas de seguridad del tirante sujetador con una llave de tuercas de 9/16 plg y saque el tirante sujetador. Desmonte los manguitos de amortiguador tirando de la cuerda amarilla. Quite la etiqueta de la parte lateral delantera del panel de acceso frontal y colóquela en la parte posterior de dicho panel.

NOTA: El tirante sujetador, pernos, arandelas y manguitos de amortiguador deben conservarse y VOLVER A INSTALARSE si fuera necesario desplazar la lavadora una distancia mayor de 1,2 metros (4 pies). No levante o transporte la lavadora por el frente o sin haber instalado previamente los materiales de transporte.

Guarde los materiales de transporte in la bolsa provista en la bolsa de accesorios. Conserve los materiales para usarlos cuando haya que desplazar la lavadora.

Vuelva a instalar el panel de acceso frontal.

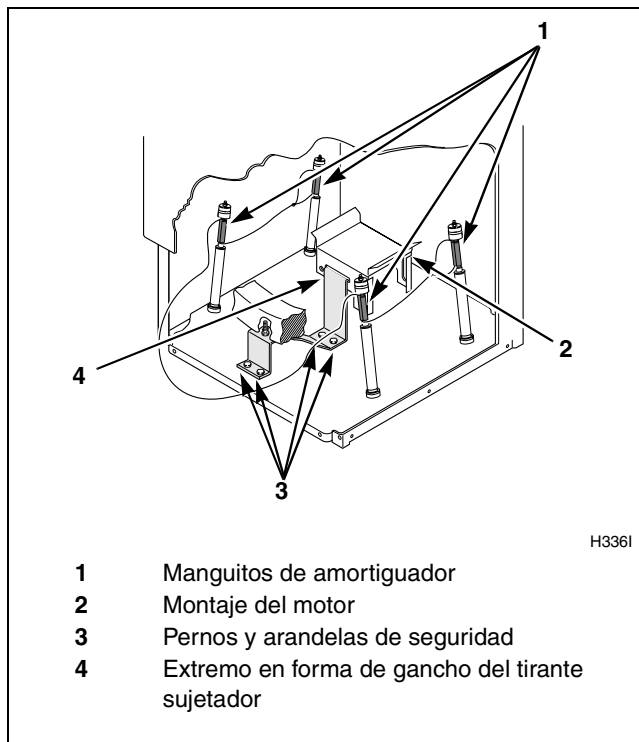


Figura 8

NOTA: Los materiales de transporte DEBERÁN reinstalarse al mover la lavadora de un lugar a otro. Las instrucciones se encuentran en la sección *Desplazamiento de la lavadora a un nuevo sitio*.

Paso 6: Limpie el interior del tambor de la lavadora

Antes de usar la lavadora por primera vez, limpie el tambor de lavado con un paño húmedo utilizando un limpiador para todo uso o una solución de detergente y agua para eliminar la suciedad acumulada durante el transporte.

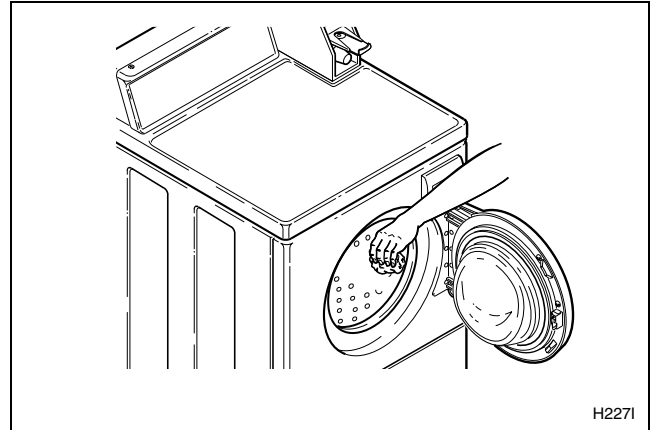


Figura 9

Paso 7: Enchufe la lavadora

Consulte la sección de *Requisitos eléctricos* y enchufe la lavadora.

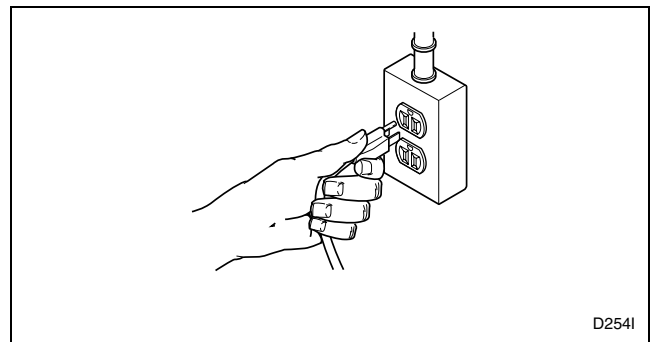


Figura 10

Paso 8: Verifique la instalación

Consulte la *Lista de comprobación del instalador* localizada en la contraportada de este manual y asegúrese de que se ha instalado correctamente.

Desplazamiento de la lavadora a un nuevo sitio

Para evitar daños al mover la lavadora de un lugar a otro, DEBERÁN volver a instalarse los materiales de transporte.

Reinstalación de los materiales de transporte

Desmonte el panel de acceso frontal sacando los dos tornillos de sujeción.

Coloque los manguitos de amortiguador sobre los cuatro amortiguadores. Consulte la *Figura 11*.

Inserte el extremo en forma de gancho del tirante sujetador dentro de la ranura abierta del montaje del motor. Fije utilizando los pernos y arandelas de seguridad. Consulte la *Figura 11*.

Vuelva a instalar el panel de acceso frontal.

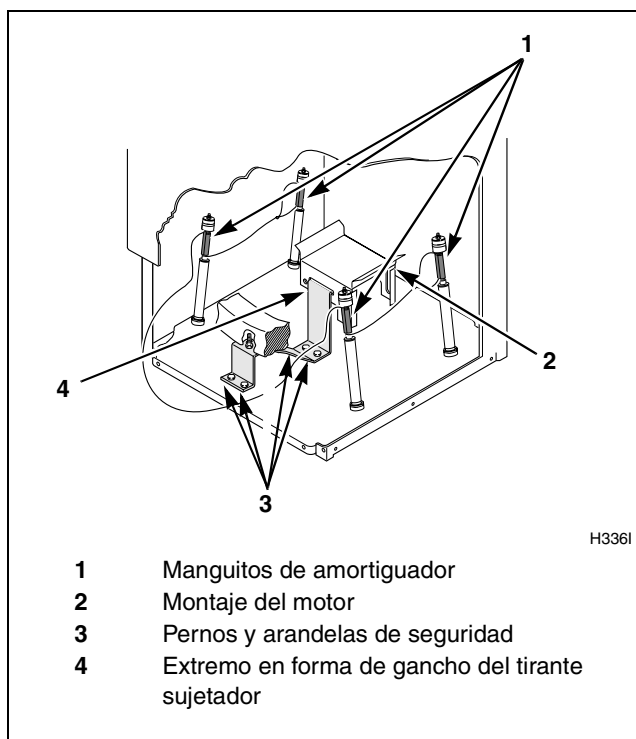


Figura 11

Consulte el paso 5 para seguir el procedimiento adecuado cuando mueva la lavadora de un lugar a otro.

Requisitos eléctricos

(Enchufe de tres terminales de 120 voltios, 60 Hertz con conexión a tierra)

NOTA: El diagrama de cableado se encuentra en el gabinete de control.

	<h3>ADVERTENCIA</h3>
<p>Para reducir el riesgo de incendio, descarga eléctrica o lesiones personales, todo el cableado y las conexiones a tierra DEBERÁN cumplir con las estipulaciones de la última edición de las Normas para instalaciones eléctricas de los Estados Unidos (National Electrical Code), ANSI/NFPA 70 y las regulaciones locales pertinentes, según el caso. Es responsabilidad del cliente hacer que un electricista calificado revise el cableado, los fusibles y los cortacircuitos, a fin de asegurarse de que la sala de lavandería cuenta con la capacidad de energía eléctrica necesaria para el funcionamiento de la lavadora.</p>	
<small>W227S</small>	

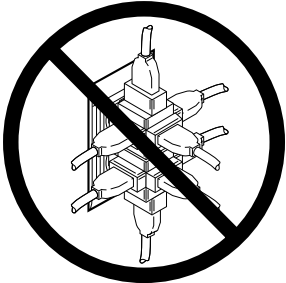

<p>NO SOBRECARGUE LOS CIRCUITOS</p> <p>NO UTILICE ADAPTADOR</p> <p>NO UTILICE CORDÓN DE EXTENSIÓN</p>	
<small>D009I</small>	

Figura 12

La lavadora está diseñada para funcionar al ser conectada en una ramal independiente, polarizada, de tres conductores, con conexión a tierra, de 120 Voltios, 60 Hertzios, circuito de corriente alterna (CA), protegido por un **fusible de 15 Amperios**, un Fusetrón (fusible de acción lenta) o un interruptor de circuito.


La clavija de conexión a tierra de tres patillas en el cable de corriente debe ser conectada directamente en un tomacorriente con conexión a tierra de tres ranuras de 110/120 Voltios de CA (corriente alterna) de 15 Amperios. Consulte la *Figura 13* para determinar la polaridad correcta del receptáculos de la pared.

NO USE OTROS APARATOS ELECTRO-DOMÉSTICOS EN EL MISMO CIRCUITO. ¡NO SOBRECARGUE LOS CIRCUITOS!

	<h3>ADVERTENCIA</h3>
<p>Para reducir el riesgo de sufrir una descarga eléctrica o de causar un incendio, NO use una extensión de cable de corriente ni un adaptador para conectar la lavadora a la fuente de corriente eléctrica.</p>	
<small>W082S</small>	

Instrucciones para la conexión a tierra

La lavadora deberá conectarse a tierra. La conexión a tierra reduce los riesgos de descargas eléctricas en caso de mal funcionamiento o averías eléctricas, al crear una ruta de menor resistencia para la corriente eléctrica. La lavadora tiene un cordón con un conductor de tierra del equipo y un enchufe de tierra de tres terminales. Este enchufe deberá conectarse directamente a un tomacorriente debidamente instalado y conectado a tierra según los códigos y ordenanzas locales.

	<h3>ADVERTENCIA</h3>
<p>La conexión indebida del conductor de tierra del equipo representa un riesgo de descarga eléctrica. Consulte a un técnico de mantenimiento o electricista calificado si no está seguro de que la lavadora está debidamente conectada a tierra.</p>	
<small>W216S</small>	

No realice modificaciones en el enchufe que trae la lavadora – si el enchufe no entra en el tomacorriente, contrate los servicios de un electricista calificado para que instale el tomacorriente adecuado.

NOTA: Llame a un electricista calificado para que revise la polaridad del receptáculo de pared. Si la lectura del voltaje es distinta a la que aparece en la ilustración, el electricista debe solucionar el problema.

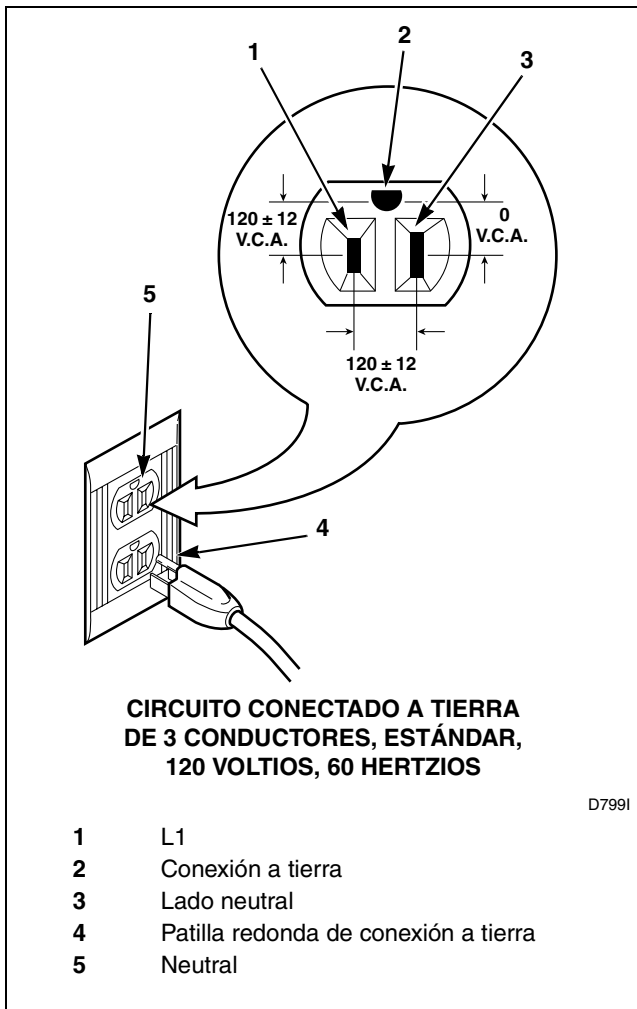


Figura 13

Requisitos de suministro de agua

	ADVERTENCIA
<p>En ciertos casos, puede acumularse gas hidrógeno en el sistema de agua caliente si el agua no ha sido utilizada durante dos semanas o más. EL GAS HIDRÓGENO ES EXPLOSIVO. Si no se ha utilizado el sistema de agua caliente durante este lapso de tiempo, antes de usar la lavadora abra los grifos de agua caliente y deje que el agua fluya durante varios minutos. De esta manera se liberará el gas de hidrógeno acumulado. Este gas es inflamable. No fume ni use una llama abierta durante este procedimiento.</p>	
W029SB	

NOTA: Los grifos de suministro de agua deben entrar en uniones hembra estándar de 19,1 mm (3/4 plg) para mangueras de jardín. **NO USE CONEXIONES DE GANCHO O DE DESLIZAMIENTO.**

NOTA: Debe tenerse un fácil acceso a los grifos de suministro de agua para poder cerrarlos cuando no se esté utilizando la lavadora.

Temperatura del agua

Fría:

Se recomienda una temperatura para el agua fría entre 16° y 27° grados centígrados (60° y 80° grados Fahrenheit).

Caliente:

Se recomienda una temperatura para el agua caliente entre 49° y 60° grados centígrados (120° y 140° grados Fahrenheit).

Tibia:

Es una mezcla de agua caliente y agua fría. (La temperatura del agua tibia depende de la temperatura del agua y de la presión de las tuberías de agua caliente y agua fría).

IMPORTANTE: Cierre los grifos de suministro de agua después de la revisión y prueba. El dueño debe cerrar los grifos de suministro de agua siempre que no vaya a utilizar la lavadora por un periodo de tiempo prolongado.

NOTA: Pueden adquirirse mangueras de suministro de agua más largas (como equipo opcional con un costo adicional), si las mangueras (que vienen con la lavadora) no son lo suficientemente largas para la instalación. Pida sus mangueras de la manera siguiente:

- Manguera de suministro No. 20617 (2,44 m) (8 pies)
- Manguera de suministro No. 20618 (3,05 m) (10 pies)

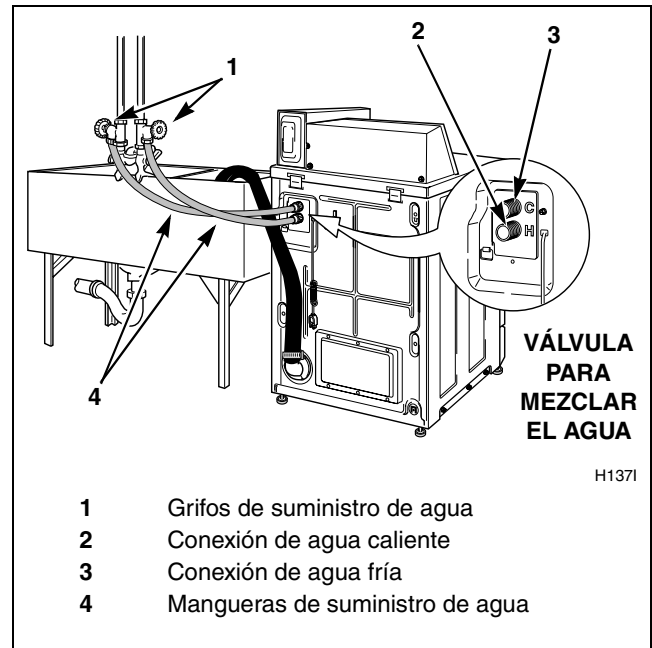


Figura 14

Presión del agua

La presión estática del agua medida en el grifo deberá estar entre 138 la mínima y 827 kPa la máxima (20 a 120 libras por pulgada cuadrada).

NOTA: Una presión del agua menor a las 138 kPa (20 libras por pulgada cuadrada) causa un aumento del tiempo de llenado de la lavadora y podría no accionar debidamente el surtidor de detergente.

Tubos ascendentes

Quizá sea necesario instalar tubos ascendentes (o cojines de aire), si entra aire en los tubos y los mismos emiten un golpeteo cuando cesa el suministro de agua. Los tubos ascendentes son más eficaces cuando se instalan lo más cerca posible de los grifos de suministro de agua (consulte la *Figura 15*).

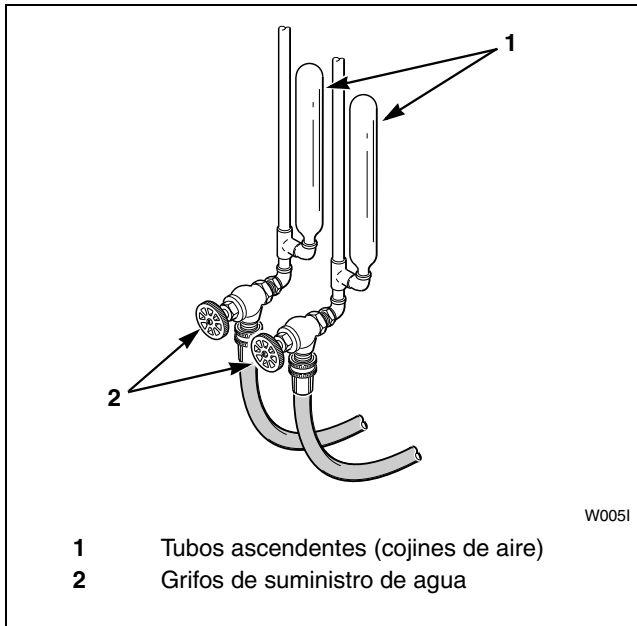


Figura 15

Operación

Instrucciones de operación de lavadoras electromecánicas

IMPORTANTE: Antes del primer lavado, use un limpiador de uso general o una solución de detergente y agua y un paño húmedo para remover el polvo de la tina de la lavadora acumulado durante el transporte.

Paso 1: Cargue la lavadora

Cargue los artículos a lavar de manera que queden holgados en el tambor de lavado.

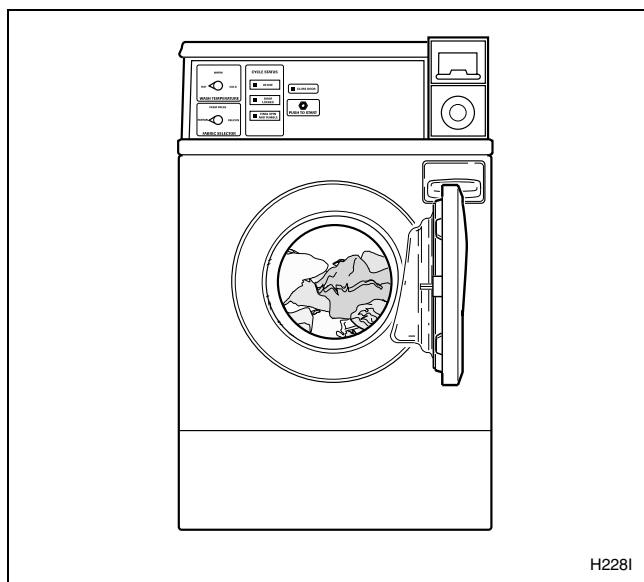


Figura 16

Paso 2: Cierre la puerta de carga

Cierre firmemente la puerta de carga. La lavadora no funcionará con la puerta de carga abierta.

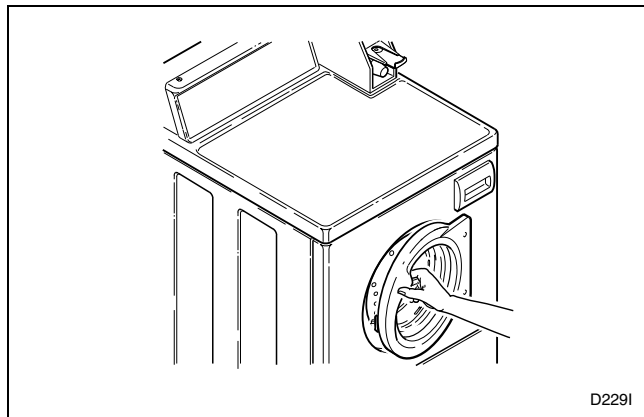



Figura 17

Paso 3: Agregue los suministros para lavar

Abra la gaveta del surtidor. Mida y agregue detergente de baja espuma (1) blanqueador (2) y suavizador de tela (3) a la gaveta del surtidor (consulte la *Figura 18*). Cierre la gaveta del surtidor.

IMPORTANTE: Si utiliza detergentes elaborados para lavadoras de carga por la parte superior, emplee la mitad de la cantidad recomendada para evitar que se produzca demasiada espuma.

 **PRECAUCIÓN**

Para desmontar la gaveta del surtidor se requiere una herramienta especial. Póngase en contacto con el personal de servicio si necesita sacarla.

W236S

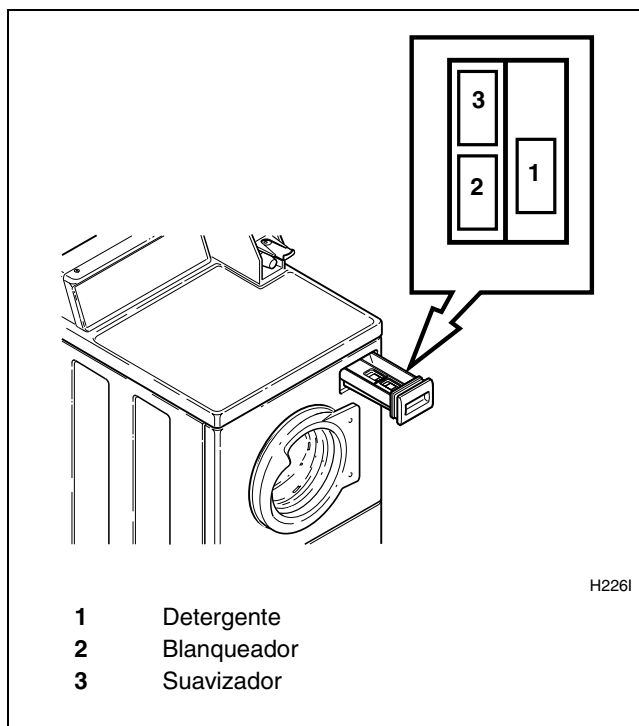


Figura 18

Operación

Paso 4: Ajuste el selector de tela

Para cargas regulares coloque el selector en la posición **NORMAL** o **PERM PRESS** (normal o planchado permanente). Para cargas de ropa delicada coloque el selector en la posición **DELICATE** (delicada).



Figura 19

Paso 5: Seleccione las temperaturas de lavado y enjuague (WASH/RINSE)

Seleccione **HOT** (caliente) (enjuague con agua fría), **WARM** (tibia) (enjuague con agua fría) o **COLD** (fría) (enjuague con agua fría).

NOTA: Siempre siga las instrucciones que aparecen en las etiquetas para el cuidado de los artículos a lavar.



Figura 20

Paso 6: Deposite la(s) moneda(s)

Coloque la(s) moneda(s) en el tragamonedas y empújelo cuidadosamente lo más adentro que pueda. Seguidamente tire del tragamonedas hacia fuera lo más que pueda. Tras encenderse la luz **IN USE** (en uso) que indica el comienzo del ciclo, oprima el botón **PUSH-TO-START** (oprime para arrancar).

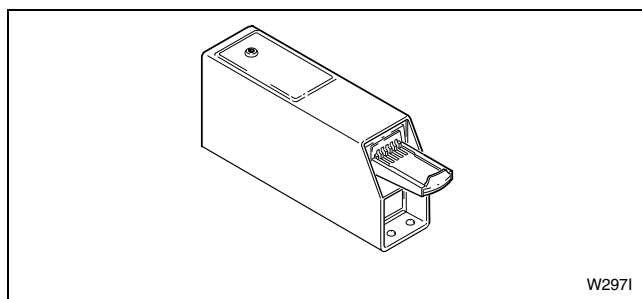


Figura 21

Luces indicadoras

IN USE (EN USO)

Permanece encendida mientras se esté usando la lavadora.

DOOR LOCKED (PUERTA CERRADA CON SEGURO)

Se enciende después de oprimir el botón de arranque (**PUSH TO START**) y de cerrar con seguro la puerta de la lavadora. Permanece encendida hasta que termina el ciclo de lavado.

FINAL SPIN AND TUMBLE (AGITADO Y CENTRIFUGADO FINAL)


Se enciende al comienzo del centrifugado final y permanece encendida hasta que termina el ciclo de lavado.

CLOSE DOOR (INDICADORA DE CERRAR LA PUERTA)

Esta luz se enciende si la puerta no está bien cerrada. Empuje firmemente la puerta hasta que la luz se apague.

IMPORTANTE: Si la lavadora no funciona correctamente tras la instalación, asegúrese de que la fuente de suministro de energía eléctrica está activa y los grifos de suministro de agua están abiertos. ¿Están debidamente ajustados los controles? Haga que el personal de servicio calificado revise que no haya cables rotos, flojos o conectados incorrectamente valiéndose del esquema de cableado (ubicado dentro del gabinete de control).

NOTA: Una vez que haya empezado un ciclo, sólo podrá abrirse la puerta desenchufándose primero el cordón de alimentación y aguardándose un minuto.

	ADVERTENCIA
Para reducir el peligro de lesiones, no saque los artículos de la lavadora hasta que se apaguen todas las luces y se detengan todas las piezas móviles.	
<small>W092SB</small>	

La lavadora se detiene brevemente (hace una pausa) antes del primer centrifugado y el último centrifugado.

Instrucciones de funcionamiento de las lavadoras MDC

IMPORTANTE: Antes del primer lavado, use un limpiador de uso general o una solución de detergente y agua y un paño húmedo para remover el polvo de la tina de la lavadora acumulado durante el transporte.

Paso 1: Ajuste el selector de tela y la temperatura de lavado

Oprima el botón de membrana para seleccionar el ciclo **NORMAL/HOT** (normal/caliente), **NORMAL/WARM** (normal/tibia), **PERM PRESS/WARM** (planchado permanente/tibia) o **DELICATES/COLD** (ropa delicada/fría). Se encenderá, una luz para indicar la selección.

NOTA: Pueden hacerse cambios en el selector de tela hasta completarse el primer llenado.

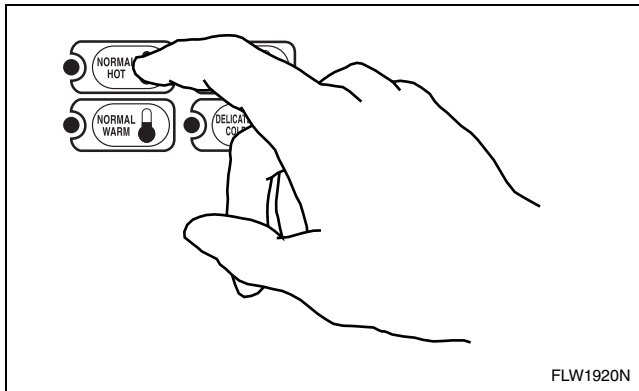


Figura 22

Paso 2: Agregue los suministros para lavar

Abra la gaveta del surtidor. Mida y agregue detergente de baja espuma (1) blanqueador (2) y suavizador de tela (3) a la gaveta del surtidor (consulte la *Figura 23*). Cierre la gaveta del surtidor.

IMPORTANTE: Si utiliza detergentes elaborados para lavadoras de carga por la parte superior, emplee la mitad de la cantidad recomendada para evitar que se produzca demasiada espuma.

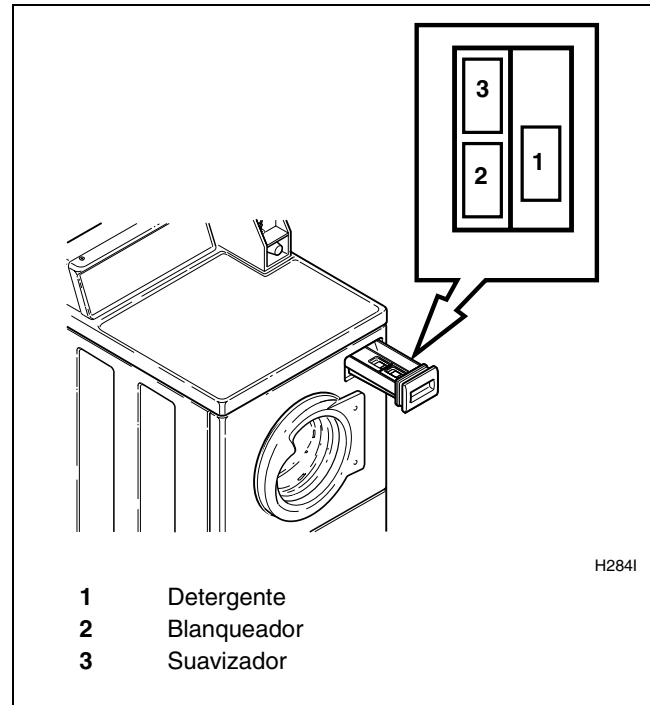


Figura 23

	PRECAUCIÓN
<p>Para desmontar la gaveta del surtidor se requiere una herramienta especial. Póngase en contacto con el personal de servicio si necesita sacarla.</p>	
W236S	

Operación

Paso 3: Cargue la lavadora

Cargue los artículos a secar de manera que queden holgados en el tambor de la lavadora.

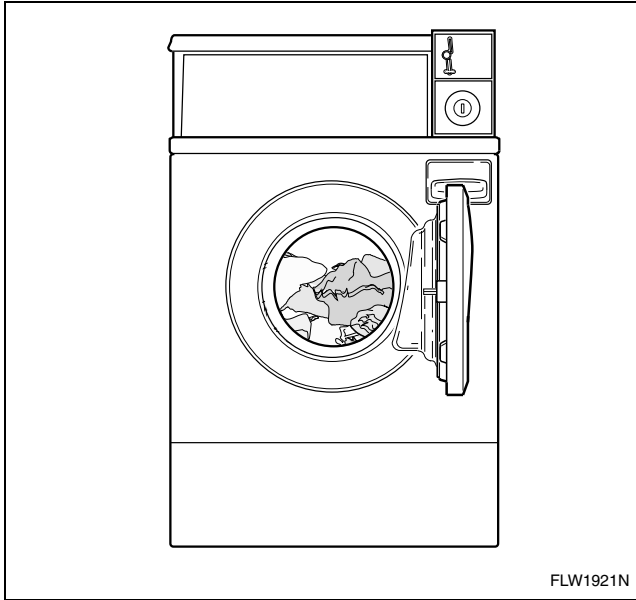


Figura 24

Paso 4: Cierre la puerta de carga

Cierre bien la puerta de carga. La lavadora no funcionará con la puerta de carga abierta.

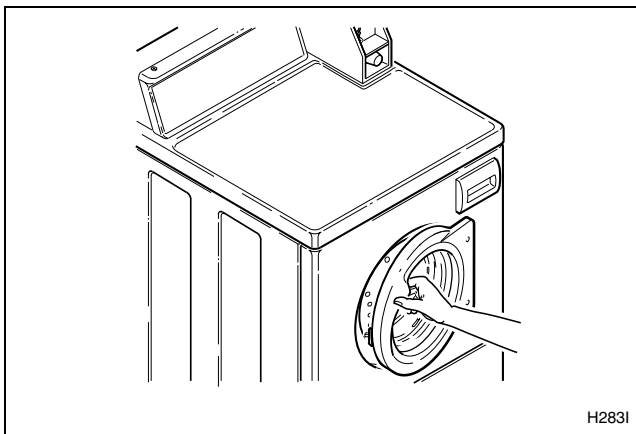


Figura 25

Paso 5: Inserte la(s) moneda(s) o la tarjeta

Para insertar monedas

Compruebe el precio que aparece en la pantalla digital.

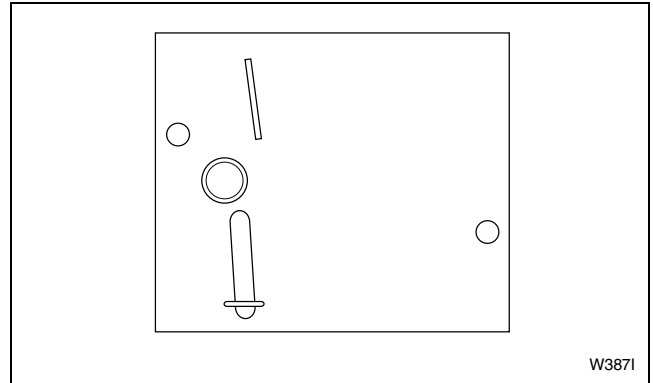


Figura 26

Para insertar la tarjeta

Inserte la tarjeta en la ranura.



Figura 27

Paso 6: Arranque la lavadora

Una vez completado el precio de la transacción, oprima el botón de arranque (**START**). LA PUERTA DEBERÁ ESTAR CERRADA PARA ARRANCAR LA LAVADORA.

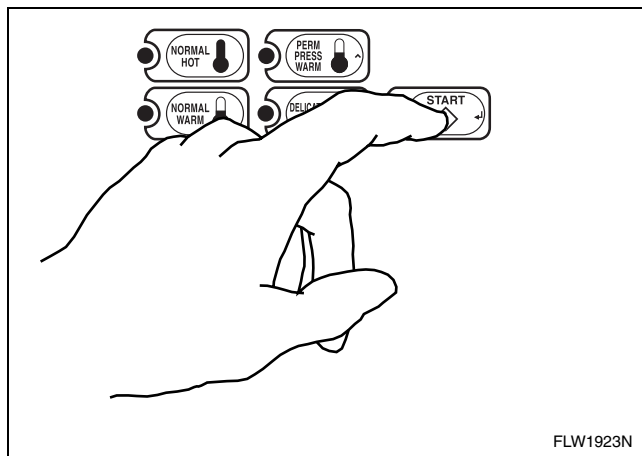


Figura 28

Luces indicadoras

WASH (LAVADO)

Esta luz se enciende al principio de un ciclo de lavado y permanece encendida hasta completarse el ciclo de lavado.

RINSE (ENJUAGUE)

Esta luz se enciende al principio del ciclo de enjuague (RINSE) y permanece encendida hasta completarse el ciclo de enjuague.

SPIN (CENTRIFUGADO)

Esta luz se enciende en todos los ciclos de centrifugado (SPIN).

DOOR LOCKED (PUERTA CERRADA CON SEGURO)

Esta luz se enciende cuando la puerta está cerrada con seguro. La puerta no puede abrirse cuando esta luz está encendida.

IMPORTANTE: Si la lavadora no funciona correctamente tras la instalación, asegúrese de que la fuente de suministro de energía eléctrica está activa y los grifos de suministro de agua están abiertos. ¿Están debidamente ajustados los controles? Haga que el personal de servicio calificado revise que no haya cables rotos, flojos o conectados incorrectamente valiéndose del esquema de cableado (ubicado dentro del gabinete de control).

NOTA: Una vez que haya empezado un ciclo, sólo podrá abrirse la puerta desenchufándose primero el cordón de alimentación y aguardándose un minuto.

	ADVERTENCIA
<p>Para reducir el peligro de lesiones, no saque los artículos de la lavadora hasta que se apaguen todas las luces y se detengan todas las piezas móviles.</p>	
W092SB	

Operación

Instrucciones de funcionamiento de las lavadoras NetMaster

IMPORTANTE: Antes del primer lavado, use un limpiador de uso general o una solución de detergente y agua y un paño húmedo para remover el polvo de la tina de la lavadora acumulado durante el transporte.

Paso 1: Cargue la lavadora

Cargue los artículos a secar de manera que queden holgados en el tambor de la lavadora.



Figura 29

Paso 2: Cierre la puerta de carga

Cierre bien la puerta de carga. La lavadora no funcionará con la puerta de carga abierta.

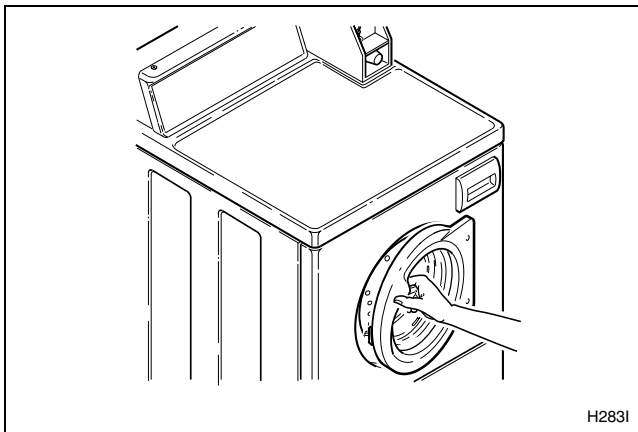


Figura 30

Paso 3: Agregue los suministros para lavar

Abra la gaveta del surtidor. Mida y agregue detergente de baja espuma (1) blanqueador (2) y suavizador de tela (3) a la gaveta del surtidor (consulte la *Figura 31*). Cierre la gaveta del surtidor.

IMPORTANTE: Si utiliza detergentes elaborados para lavadoras de carga por la parte superior, emplee la mitad de la cantidad recomendada para evitar que se produzca demasiada espuma.

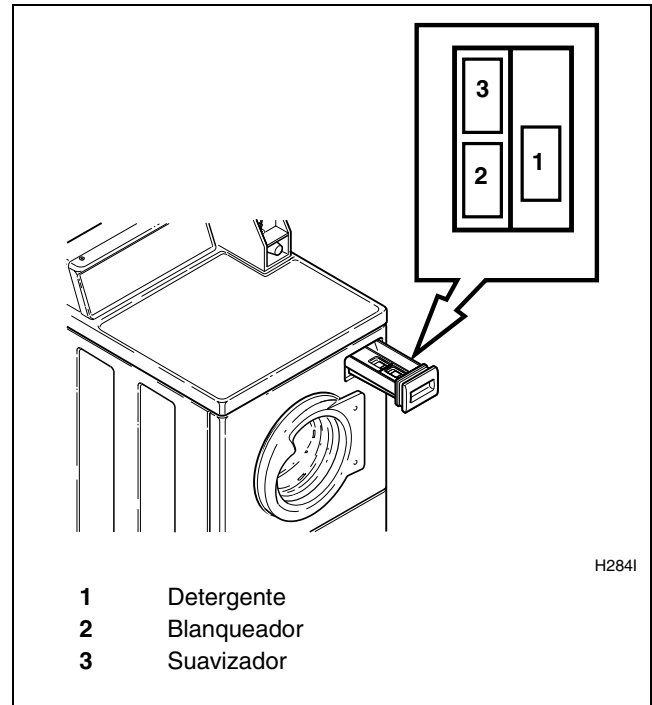



Figura 31

	PRECAUCIÓN
<p>Para desmontar la gaveta del surtidor se requiere una herramienta especial. Póngase en contacto con el personal de servicio si necesita sacarla.</p>	
W236S	

Paso 4: Ajuste el selector de tela

Oprima el botón de membrana para seleccionar el ciclo **NORMAL** (normal), **PERM PRESS** (planchado permanente) o **DELICATES** (ropa delicada). Se encenderá, una luz para indicar la selección.

NOTA: Pueden hacerse cambios en el selector de tela hasta completarse el primer llenado.

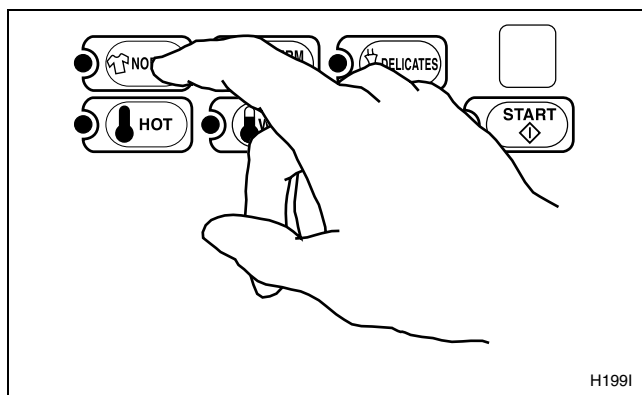


Figura 32

Paso 5: Seleccione la temperatura de lavado

Seleccione **HOT** (caliente), **WARM** (tibia) o **COLD** (fría). La luz indicará la temperatura seleccionada.

NOTA: Siempre siga las instrucciones que aparecen en las etiquetas para el cuidado de los artículos a lavar.

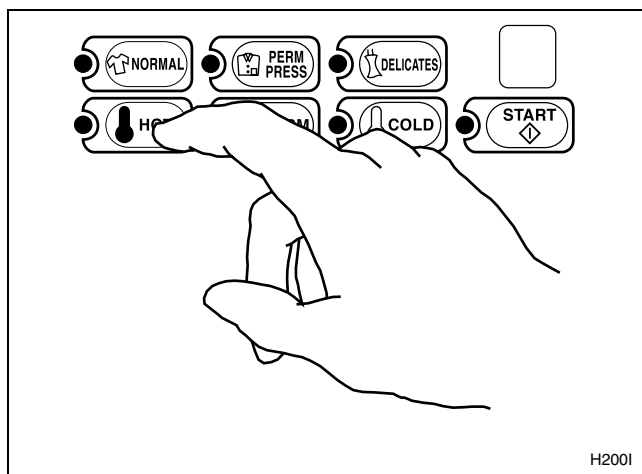


Figura 33

Paso 6: Inserte la(s) moneda(s) o la tarjeta

Para insertar monedas

Compruebe el precio que aparece en la pantalla digital.

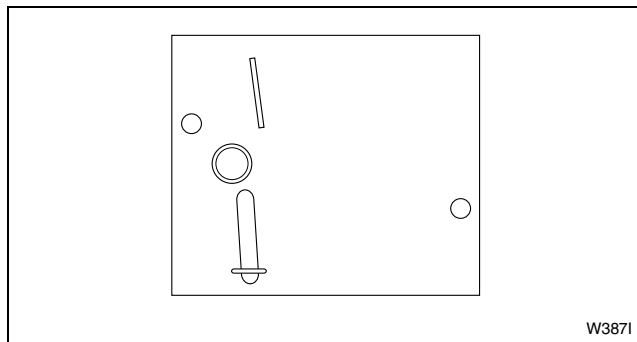


Figura 34

Para insertar la tarjeta

Inserte la tarjeta en la ranura. **NO SAQUE LA TARJETA HASTA QUE APAREZCA EN LA PANTALLA REMOVE CARD** (sacar la tarjeta).

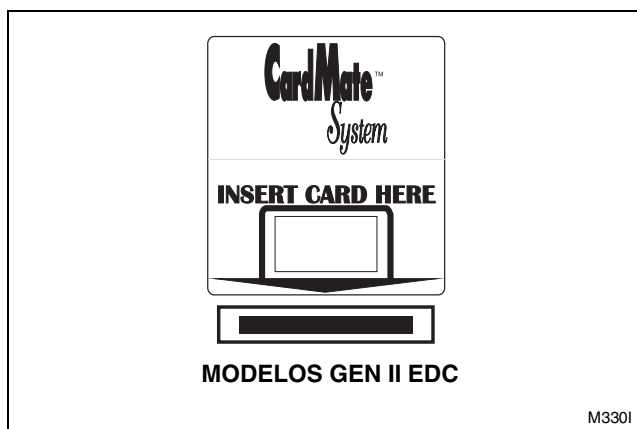


Figura 35

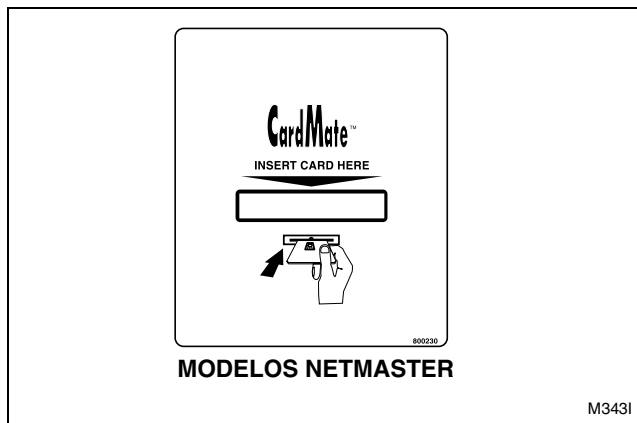


Figura 36

Operación

Paso 7: Arranque la lavadora

Una vez completado el precio de la transacción, oprima el botón de arranque (**START**). LA PUERTA DEBERÁ ESTAR CERRADA PARA ARRANCAR LA LAVADORA.

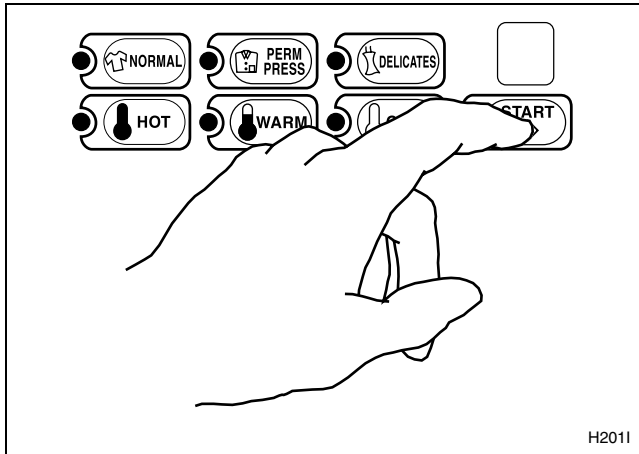


Figura 37

Luces indicadoras

WASH (LAVADO)

Esta luz se enciende al principio de un ciclo de lavado y permanece encendida hasta completarse el ciclo de lavado.

RINSE (ENJUAGUE)

Esta luz se enciende al principio de un ciclo de enjuague (RINSE) o enjuague extra (EXTRA RINSE) y permanece encendida hasta completarse el ciclo de enjuague.

SPIN (CENTRIFUGADO)

Esta luz se enciende en todos los ciclos de centrifugado (SPIN).

DOOR LOCKED (PUERTA CERRADA CON SEGURO)

Esta luz se enciende cuando la puerta está cerrada con seguro. La puerta no puede abrirse cuando esta luz está encendida.

INSERT COIN/CARD (INSERTE MONEDAS/TARJETA)


Esta luz se enciende para indicar al usuario que debe introducir monedas o la tarjeta para completar el precio de la transacción. Mientras está encendida esta luz, los dígitos y el punto decimal muestran el monto que falta para completar el precio de la transacción.

REMOVE CARD (SACAR LA TARJETA) (Exclusivamente en modelos de tarjeta)

Esta lámpara se volverá intermitente después de que se haya oprimido el pulsador de membrana START (puesta en marcha) y se haya descontado de la tarjeta el precio de la transacción.

IMPORTANTE: Si la lavadora no funciona correctamente tras la instalación, asegúrese de que la fuente de suministro de energía eléctrica está activa y los grifos de suministro de agua están abiertos. ¿Están debidamente ajustados los controles? Haga que el personal de servicio calificado revise que no haya cables rotos, flojos o conectados incorrectamente valiéndose del esquema de cableado (ubicado dentro del gabinete de control).

NOTA: Una vez que haya empezado un ciclo, sólo podrá abrirse la puerta desenchufándose primero el cordón de alimentación y aguardándose un minuto.

	ADVERTENCIA
Para reducir el peligro de lesiones, no saque los artículos de la lavadora hasta que se apaguen todas las luces y se detengan todas las piezas móviles.	
<small>W092SB</small>	

Mantenimiento

Instrucciones de mantenimiento para el usuario

Cuidados en climas fríos

Si la lavadora se entrega en un día extremadamente frío (temperatura por debajo del nivel de congelamiento) o se coloca en un área o salón sin calefacción durante los meses fríos, no trate de poner a funcionar la lavadora antes de que se caliente.

Cuidado de la lavadora

Utilice únicamente paños húmedos o con una solución jabonosa para limpiar el panel de control. Algunos productos de prelavado en aerosol pueden dañar el acabado del panel de control o el interior de la tapa.

Limpie el gabinete de la lavadora según sea necesario. Si se ha derramado detergente, cloro u otros productos para lavar sobre el gabinete, límpielo de inmediato. Algunos productos causan un daño permanente si caen sobre el gabinete de la lavadora.

No utilice esponjas para restregar ni limpiadores abrasivos.

No recueste objetos rugosos ni punzantes a la lavadora, ya que podrían dañar el acabado de la misma.

El tambor y la ventana de la lavadora no requiere un cuidado especial, aunque sí debe enjuagarse después de lavar una carga inusual de artículos. El exterior de la ventana puede limpiarse con un limpiador doméstico para ventanas.

Vacaciones y falta de uso de la lavadora durante un período prolongado

IMPORTANTE: Para evitar posibles daños a la propiedad por inundaciones, cierre el grifo de suministro de agua de la lavadora cada vez que vaya a dejar de usarla por un tiempo prolongado.

Mantenimiento

Antes de llamar para solicitar servicio de reparación

Puede ahorrar tiempo y dinero realizando la inspección siguiente:

Si la lavadora:

No se llena	No arranca	No funciona durante el ciclo de agitado	No funciona durante el ciclo de centrifugado	No funciona durante el ciclo de desagüe	Possible causa – Siga este procedimiento para solucionar el problema
	•				Asegúrese de que el cable de suministro de energía esté completamente enchufado en el tomacorriente.
•	•	•	•		Cierre bien la puerta de carga.
•	•	•	•		Revise la caja de fusibles o cortacircuitos de la sala de lavado.
•					Abra los grifos del agua fría y agua caliente.
		•	•		¿Están debidamente ajustados los controles?
		•	•		Correa de transmisión rota. Llame al personal de servicio.
			•	•	Colector de partículas extrañas obstruido. Llame al personal de servicio.
	•				Inserte la(s) moneda(s) o la tarjeta.
	•				Active el acumulador de tiempo. Empuje el tragamonedas completamente hacia dentro. (exclusivamente en modelos con tragamonedas de corredera)
	•				Oprima el botón para arrancar la lavadora (PUSH-TO-START).

Si la unidad necesita servicio

Si la unidad necesita servicio, comuníquese con el centro de servicio de fábrica autorizado más cercano.

Si no puede encontrar un centro de servicios autorizado o no quedó satisfecho con el servicio realizado por ese centro, póngase en contacto con:

Alliance Laundry Systems
Shepard Street
P.O. Box 990
Ripon, WI 54971-0990
U.S.A.
Teléfono: (920) 748-3950

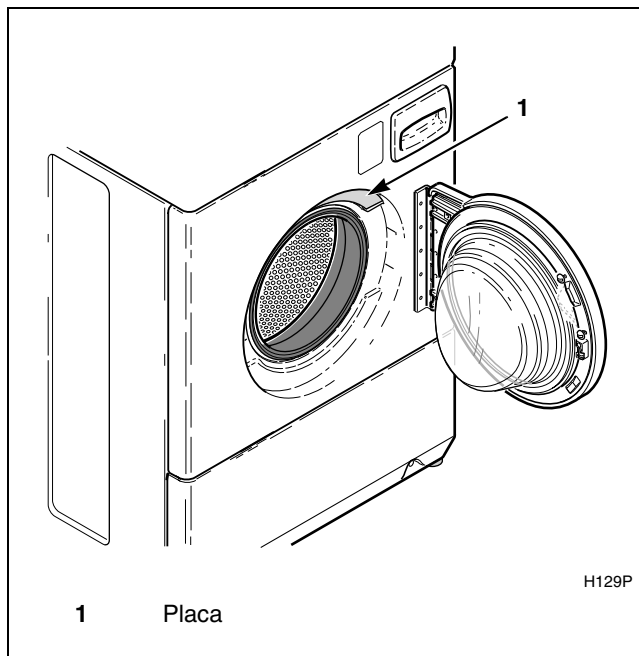


Figura 38

Cuando llame o escriba por un asunto relacionado con su unidad, **POR FAVOR SUMINISTRE EL MODELO Y EL NÚMERO DE SERIE DE LA UNIDAD**. El número de serie y el modelo de su unidad se encuentran en la placa (su localización está indicada en la *Figura 38*).

Envíe también una copia de la factura de compra y los recibos por servicios suministrado que conserve.

	ADVERTENCIA
<p>Para reducir el riesgo de lesiones graves o incluso letales, NO repare o sustituya pieza alguna de la unidad ni intente ninguna reparación a menos que se recomiende específicamente en las instrucciones de mantenimiento para el usuario o en las instrucciones de reparación para el usuario que pueda entender y se sienta capacitado para seguir.</p>	
<small>W329S</small>	

Mantenimiento

Información de referencia

**Alliance Laundry Systems
Shepard Street
P.O. Box 990
Ripon, WI 54971-0990
U.S.A.
Teléfono: (920) 748-3950**

Fecha de compra _____

Número de modelo _____ Número de serie _____

Nombre del distribuidor _____

Dirección del distribuidor _____ Teléfono _____

Agencia de servicio _____

Dirección de la agencia de servicio _____ Teléfono _____

NOTA: Registre la información anterior y guarde su recibo de compra. Los números de modelo y de serie aparecen en la placa.

Installer Checklist

Fast Track for Installing the Washer

(Refer to the manual for more detailed information)

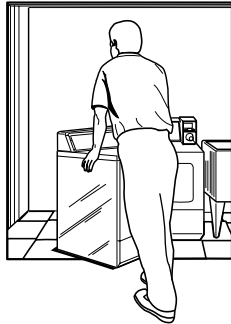
Lista de comprobación del instalador

Guía rápida para instalar la lavadora

(Consulte el manual para una información más detallada)

1

- Position Washer Near Installation Area.
- Coloque la lavadora cerca del área de instalación.

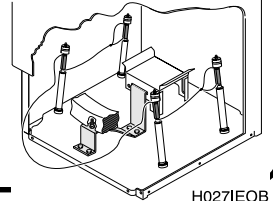


H1351E0A

**CHECK
REVISADO**

5

- Remove the Shock Sleeves and Shipping Brace.
- Saque los manguitos de amortiguador y el tirante de sujetador.

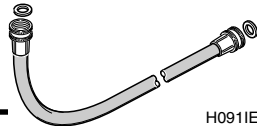


H0271EOB

**CHECK
REVISADO**

2

- Connect Water Inlet Hoses.
- Conecte las mangueras de suministro de agua.

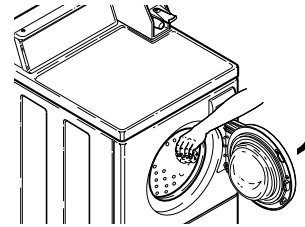


H0911E0A

**CHECK
REVISADO**

6

- Wipe Out Inside of Wash Drum.
- Limpie el interior del tambor de la lavadora.

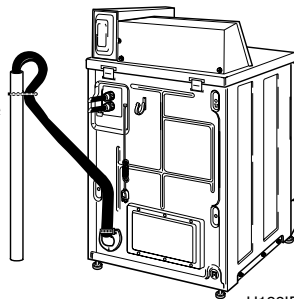


H2301

**CHECK
REVISADO**

3

- Connect Drain Hose to Drain Receptacle.
- Conexión de la manguera de desagüe en el receptáculo de desagüe.

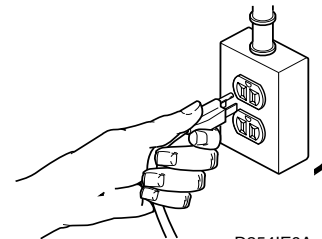


H1381E0A

**CHECK
REVISADO**

7

- Plug In the Washer.
- Enchufe la lavadora.

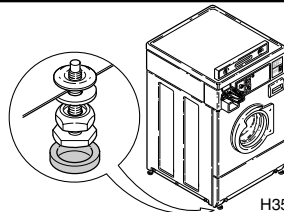


D2541E0A

**CHECK
REVISADO**

4

- Position and Level the Washer.
- Coloque la lavadora en su lugar y nivélela.



H3591

**CHECK
REVISADO**