

salton®

juice extractor



Instruction Booklet

Model: JE-1187

IMPORTANT SAFEGUARDS

When using electrical appliances, basic safety precautions should always be followed including the following:

1. Read all instructions.
2. Always use this appliance on a dry, level surface.
3. To protect against electrical hazards, do not immerse cord, plugs, or the appliance in water or other liquid.
4. Children should not be allowed to operate this appliances and close supervision is necessary when this appliance is used around children.
5. This appliance is not intended for use by infirm persons, without supervision.
6. Unplug from outlet when not in use before putting on or taking off parts and before cleaning.
7. Do not operate any appliance with a damaged cord or plug or after the appliance malfunctions, or is dropped or damaged in any manner. Return appliance to Salton for examination, repair or electrical or mechanical adjustment. See Warranty.
8. The use of accessories or attachments not recommended or sold by Salton may cause fire, electric shock or injury.
9. Do not use outdoors.
10. Do not let cord hang over edge of table or counter, or touch hot surfaces.
11. Extreme caution must be used when moving an appliance containing hot liquids.
12. This appliance is for Household Use Only. Do not use appliance for other than intended use.
13. Do not leave unit unattended while in use.
14. Always turn the appliance off and unplug from the outlet when left unattended or finished using.
15. Check to be sure that the switch is in the OFF position after each use. Make sure the motor is stopped before disassembling.
16. Avoid contacting moving parts.
17. The cutting blades in the strainer basket are sharp. Handle with care.
18. Always make sure the juicer is fully assembled and the juicer cover is locked securely in position before the motor is turned on. Do not attempt to remove parts when the juicer is in operation.
19. Do not attempt to override the safety features.
20. Do not use this appliance if the strainer basket is damaged.

21. Do not put your fingers or other objects into the feed tube while it is operating. Always use the food pusher provided. If food becomes lodged in the feed tube use the food pusher or another piece of fruit or vegetable with the food pusher to push it down. If this is not possible, turn the motor off and unplug the unit from the wall outlet and disassemble the unit to remove the stuck food.
22. Do not place on or near a hot gas or electric burner, or in a heated oven.
23. Always attach plug to appliance first, then plug cord into the wall outlet. To disconnect, turn any control to 'OFF', then remove plug from wall outlet.

SAVE THESE INSTRUCTIONS

HOUSEHOLD USE ONLY

POLARIZED PLUG

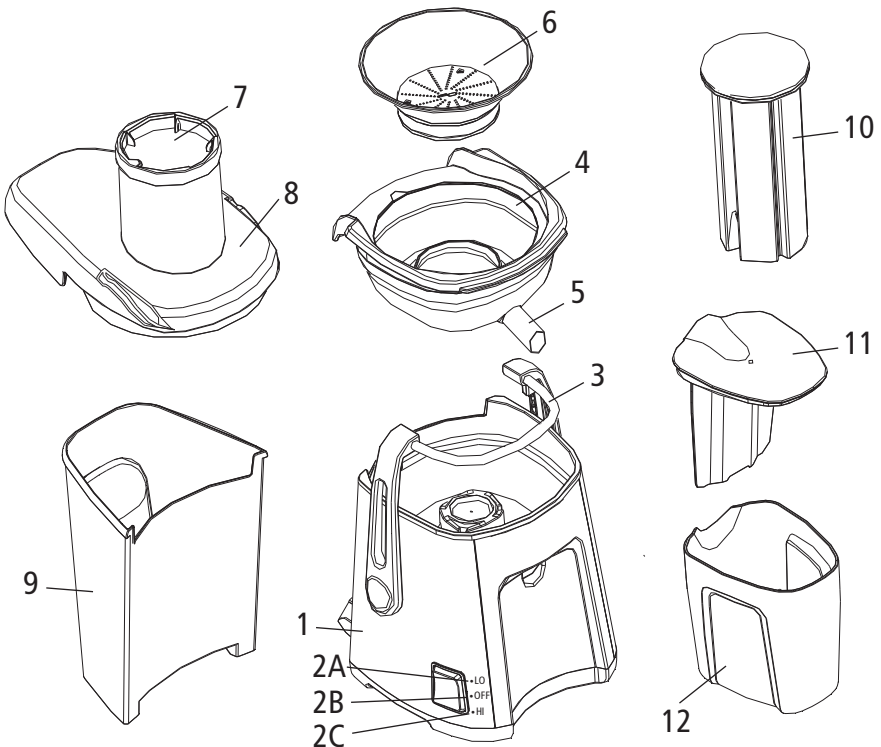
This appliance has a polarized plug (one blade is wider than the other). To reduce the risk of electric shock, this plug will fit in a polarized outlet only one way. If the plug does not fit fully in the outlet, reverse the plug. If it still does not fit, contact a qualified electrician. Do not modify the plug in any way.

BEFORE FIRST USE

1. Read the instructions carefully and keep for future reference
2. Remove all packaging.
3. Disassemble the juicer (see the Care and Cleaning section). Wash all removable parts to remove any residue left over from the manufacturing process.

DESCRIPTION OF PARTS

1. Motor Housing
2. Rocker Switch
A - Lo speed
B - Off
C - Hi speed
3. Locking Handle
4. Juice Collector
5. Spout
6. Stainless Steel Strainer Basket/Cutting Blades
7. Feed Tube
8. Pulp Chute/Juicer Cover
9. 2.2 litre/quart Pulp Container
10. Food Pusher
11. Froth Separator
12. 1.2 litre/quart Juice Jug



HOW TO ASSEMBLE THE JUICER

1. Place the Juice Collector on the Motor Housing with the Spout facing the direction of the Locking Handle. Gently slide into place until it locks.
2. Place the Stainless Steel Strainer Basket inside the Juice Collector. Twist the Strainer Basket and gently push down until it is seated in the Juice Collector. NOTE: The top edge of the Strainer Basket should not be higher than the edge of the Juice Collector when properly installed.
3. Place the Pulp Chute/Juicer Cover on the top so that the opening of the Pulp Chute is on the side opposite the Spout.
4. Lock the Pulp Chute/Juicer Cover into position by raising the Locking Bar until it clicks into the grooves located on both side of the Pulp Chute/Juicer Cover. NOTE: Push the Locking Bar until it is fully upright otherwise the Juicer will not operate.
5. Align the groove in the Food Pusher with the small protrusion on the inside of the Feed Tube.
6. Slide the Pulp Container into position under the Pulp Chute.
7. If the Froth Separator is not in the Juice Jug, slide between the tabs inside the Juice Jug. If you prefer to have juice with froth then the Froth Separator is not required

HOW TO PREPARE FRUIT AND VEGETABLES FOR JUICING

1. Wash fruits and vegetables.
2. Peel fruits that have inedible skins such as citrus fruits, pineapple, melons, papaya, etc.
3. Pit all fruits with hard seeds or stones such as peaches, nectarines, cherries, etc.
4. Most fruits and vegetables such as apples, carrots and cucumbers will not need to be cut. If the pieces are too big for the Feed Tube slice the fruit or vegetables before starting to juice.

HOW TO JUICE

1. Assemble the Juicer. The Juice Jug or a glass can be placed below the spout to collect juice.
2. Plug the power cord into a 120V power outlet.
3. Choose either 'Hi' or 'Lo' speed on the Rocker Switch depending on the type of fruit or vegetable that is being juiced. Never put any fruit or vegetables in the juicer until power is turned on. Soft fruit or vegetables, such as berries, melons, cucumber, tomatoes, etc. should be juiced on Lo speed. Harder fruit and vegetables such as apples, celery, carrots, etc. should be juiced at 'Hi' speed.
4. With the motor running, place food into the Feed Tube. Using the Food Pusher, gently guide food down the Feed Tube. To Extract the maximum amount of juice, always push the Food Pusher down slowly. **IMPORTANT: DO NOT PLACE HANDS OR FOREIGN OBJECTS DOWN THE FEED TUBE. ALWAYS USE THE FOOD PUSHER**
5. If the Pulp Container is full it can be emptied during juicing. Turn the Juicer Off and remove the Pulp Container by holding onto the Feed Tube and tilting the juicer slightly to disengage the Pulp Container. Empty the Pulp Container. Replace by sliding the Pulp Container into position under the Pulp Chute.
6. The froth separator in the Juice Jug will eliminate froth being poured into the glass. If you prefer to have juice with froth, simply remove the froth separator attachment from the Juice Jug before juicing.

IMPORTANT: When juicing on 'Hi' Speed do not run the juicer for longer than 5 minutes then allow to rest for 2 minutes before you resume juicing.

HELPFUL HINTS

- A small amount of lemon juice can be added to apple juice to prevent browning.
- Do not use bananas or avocados as they do not contain juice and will clog the juicer.
- Allow the juicer to run for one minute before turning 'Off' to allow any excess juice to be extracted from the pulp.
- A plastic bag can be put in the pulp container for easy clean-up.
- Disassemble the Juicer and rinse off the pulp immediately after juicing. The Strainer Basket/Cutting Blades can be soaked in water to loosen the pulp. Then wash in warm soapy water.
- Wash parts immediately after use to avoid discolouration of the plastic parts which may occur with some fruits and vegetables.
- If juicing herbs or leafy green vegetables process in combination with other fruits or vegetables to yield more juice.

CARE AND CLEANING

How to Disassemble the Juicer

IMPORTANT: Before disassembling the juicer make sure that the Rocker Switch is in the Off position, the plug has been removed from the wall outlet and the motor has stopped completely.

1. Remove the Food Pusher from the Feed Tube.
2. Remove the Pulp Container by holding onto the Feed Tube and tilting the juicer slightly to disengage.
3. Remove the Juice Jug.
4. Hold the Pulp Chute/Juicer Cover and disengage the Locking Bar from the grooves on the side of the Pulp Chute/Juicer Cover.
5. Lift and remove the Pulp Chute/Juicer Cover.
6. Remove the Strainer Basket by gently sliding your fingers around the rim of the Basket and lifting upwards. **NOTE:** Be careful when handling the Strainer Basket as the cutting blades are very sharp.
7. Remove the Juice Collector by placing one hand under the plastic edge opposite the spout and lifting upwards, then gently slide out.

How to Clean

1. Move the Rocker Switch to the Off position and wait for the motor to stop completely.
2. Unplug from the wall outlet.
3. Disassemble the Juicer (see directions above)
4. Clean the Pulp Container, Pulp Chute/Juicer Cover, Food Pusher, Juice Collector, Juice Jug and Froth Separator in warm, soapy water. A mild detergent is recommended. Rinse well and dry thoroughly.
5. Hold the Stainless Steel Strainer Basket/Cutting Blades under clean running water. If needed, use a small brush to gently clean away pulp from the filter and cutting blades. Rinse under running water. Hold the Strainer Basket/Cutting Blades up to the light to ensure that the fine mesh holes are not blocked. If the holes are blocked, soak the Strainer Basket/Cutting Blades in hot water to loosen the pulp and clean with the brush again. Allow to dry on a cloth or paper towel before reassembling the juicer.
CAUTION: THE CUTTING BLADES ARE VERY SHARP.
6. Wipe the Motor Housing with a soft cloth moistened in warm soapy water. NEVER IMMERSE MOTOR HOUSING IN WATER OR ANY OTHER LIQUID.

TROUBLESHOOTING

PROBLEM	SOLUTION
Juicer will not operate when switched on.	The safety locking arm may not be correctly engaged into the 2 grooves on either side of the Pulp Chute/Juicer Cover.
Motor stalls when juicing	Push the Food Pusher down slowly so that wet pulp does not build up under the Pulp Chute/Juicer Cover. Choose Hi speed instead of Lo speed.
Excess pulp building up in filter	Alternate soft and hard fruit and vegetables
Pulp too wet	Use Lo speed. Check to be sure that the holes in the mesh filter are not blocked. If they are blocked follow #5 in the How to Clean section.
Juice leaks between the rim of the Juicer and Pulp Chute/Juicer Cover	Use Lo speed. Fruits and vegetables with a high water content should be juiced on Lo speed.

RECIPES

Below are a few juice recipes for your convenience. Additional recipes are available on the internet. Recipe books are also available at your local bookstore.

Apple Strawberry

5 apples

1 cup strawberries

Alternate juicing apples and strawberries. Serve immediately.

Apple Veggie Juice

2 apples

3 carrots

1 stalk celery

Alternate juicing apples, carrots and celery. Serve immediately.

Vegetable Juice

4 carrots

2 ozs. (100 g) spinach

Small handful of flat leaf parsley

2 stalks celery

Alternate juicing above ingredients. Serve immediately.

Fruit & Vegetable Cocktail

1/2 pineapple, peeled

1 carrot

1 apple

1 stalk celery

Process through juicer and serve immediately.

Peach, Pear and Apple Juice

1 apple

2 peaches, seed removed

1 pear

Process ingredients through juicer and serve immediately.

A short supply cord is provided to reduce the hazards of becoming entangled in or tripping over a long cord. Extension cords may be used if care is exercised in their use. If an extension cord is used, the marked electrical rating of the detachable power-supply cord or extension cord should be at least as great as the electrical rating of the appliance. If the appliance is of the grounded type, the extension cord should be a grounded 3-wire cord. The extension cord should be arranged so that it will not drape over the counter top or table top, where it can be pulled on by children or tripped over.

LIMITED WARRANTY

Salton Canada warrants that this appliance shall be free from defects in material and workmanship for a period of one year from the date of purchase. During this 'in-warranty' period, defective products will be repaired or replaced at the discretion of the retailer and/or Salton Canada. This warranty covers normal domestic usage and does not cover damage which occurs in shipment or failure which results from alteration, accident, misuse, abuse, glass breakage, neglect, commercial use or improper maintenance.

A defective product should be returned to the original place of purchase within the retailer's stipulated return/exchange period*. If you are unable to have a defective product replaced under warranty by the retailer, please check our website at "www.salton.com" for the service centre nearest you. You may also contact us for assistance by mail, e-mail, fax or telephone as listed below.

To ensure prompt 'in-warranty' service securely package and return the product to us prepaid. Be sure to include the original proof of purchase and a description of the defect along with your address and postal code.

For repairs not covered by the warranty, please contact us for assistance.

salton®

SALTON CANADA

Customer Service Department

81A Brunswick,

Dollard-des-Ormeaux,

Quebec, Canada H9B 2J5

website: www.salton.com

E-mail: service@salton.com

Fax: 514-685-8300

Tel: 514-685-3660 Ext. 226

* Return/exchange policies at each retailer vary and may differ from the SALTON Canada 1 year limited warranty period.