

36x Zoom SmartDome Network Camera NEW

SNC-C7478/C7478C



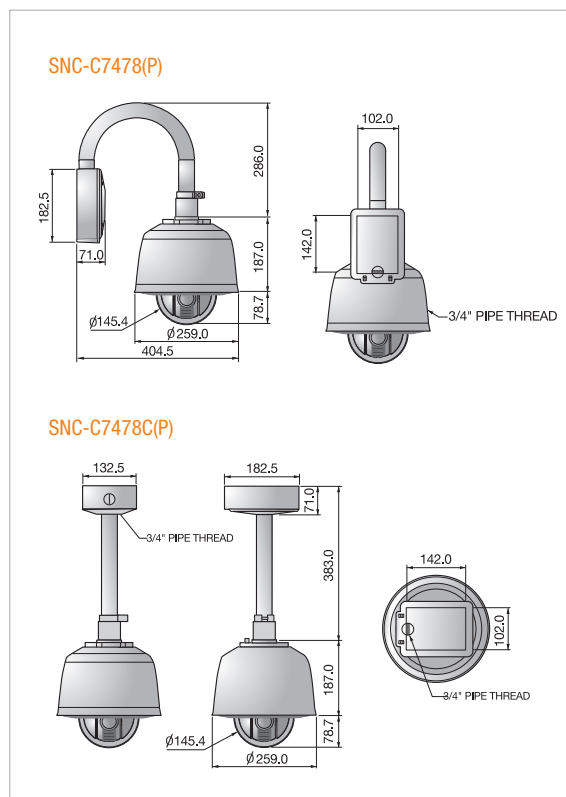
Features

- Real-time 30(25) ips at High Resolution(D1)
- 432x Zoom Control (Optical 36x, Digital 12x)
- MPEG-4 & MJPEG Dual Encoding
- Rotating Speed : MAX. 360°/sec • Digital Image Stabilization
- Smooth Manual speed: MIN. 0.05°/sec
- Day/Night Function (ICR)
- WDR (Wide Dynamic Range)
- Endless 360° Pan Rotation • Bi-directional Audio Support
- Shortest Path by Vector Drive Technology
- Micro SD/SDHC Memory Card Slot for Alarm Recording
- Scheduled Preset Function • HTTPS security login support
- Housing Design for Quick installations and Maintenance
- Standard RTP/RTSP support (QuickTime, VLC Player)
- Vandal Proof/ Weather Proof
- IPv4/IPv6 support

Specifications (Camera)

Model		SNC-C7478(C)			
Camera Type	Color/BW	Color			
Image	Device	1/4" Ex-View HAD Progressive Scan CCD			
Min. Illumination	Color/BW	Level	Sens-up	Color	B/W(S/W)
		50 IRE	Off	1.4 Lux	0.15 Lux
		30 IRE	Off	0.84 Lux	0.09 Lux
		15 IRE	Off	0.42 Lux	0.045 Lux
		50 IRE	64 times	0.0219 Lux	0.0023 Lux
		30 IRE	64 times	0.0131 Lux	0.0014 Lux
		15 IRE	64 times	0.0066 Lux	0.0007 Lux
Resolution	Horizontal	Color : 540TVL BW : 570TVL			
PAN/TILT	Speed	Manual Pan	0.05°~ 360°		
		Preset Pan	360°		
		Manual Tilt	0.05°~ 360°		
		Preset Tilt	360°		
	Range	Panning	0°~ 360°(Endless)		
		Tilting	180°		
	Number of Auto PAN		8		
	Number of Preset		127		
	Number of Pattern		4		
	Lens	Focal Length	3.4 ~ 122.4mm		
Zoom Ratio		36x Optical, 12x Digital			
Aperature Ratio		F1.6(W) / F4.5(T)			
Viewing Angle		Tele	1.70°(H) x 1.27°(V)		
		Wide	57.80°(H) x 43.35°(V)		
Lens Drive Type		DC Auto Iris			
Mount Type		Board-in type			
Functions		Number of Privacy Zone	8		
		Day/Night	Auto / Day / Night (ICR)		
		Wide Dynamic Range	On/Off		
	Digital Zoom	Yes (~12x)			
Environmental Conditions	Fan / Heater	Yes			
	Operating Temperature	-45°C ~ +50°C			
	Operating Humidity	Less than 90%			
Power	Power Requirement	AC 24V			
	Power Consumption	24W(Heater OFF) / 57W(Heater ON)			
Physical Specification	Dimensions	SNC-C7478	259(ø) x 552(H) x 404.5(D) mm		
		SNC-C7478C	259(ø) x 649(H) x D259(D) mm		
	Weight	Net	6kg		
	Color	Body	White Grey		

Dimensions (unit:mm)



Specifications (Network)

Model		SNC-C7478(C)		
Network Board	OS	Embedded Linux		
	Hardware	Flash memory	32M byte	
		RAM	256M byte	
		Ethernet	RJ-45 (10/100BASE-T)	
		Video Out	VBS 1.0Vp-p	
		Audio	Line In / Line Out	
SD Memory Slot		Yes (Micro SD/SDHC)		
Alarm	Input	8 ea		
	Output	4 ea		
Video	Compression	MPEG4 / MJPEG Dual Codec Simultaneous Full Frame Dual Streaming		
	Resolution	D1	NTSC : 720x480 / PAL : 720x576	
		VGA	640x480	
		CIF	NTSC : 352x240 / PAL : 352x288	
	Frame Rate	NTSC : 30, 15, 8, 3, 1 fps / PAL : 25, 13, 6, 3, 1 fps		
	Quality	1 ~ 10 level		
Audio	Compression	G.711		
	Bi-Directional Communication	Yes		
DIS	Digital Image Stabilization	Yes		
Motion Detection	Sensitivity and Area Setting	High, Medium, Low		
Protocol	IP	IPv4 / IPv6		
	Network Protocol	IPv4	TCP/IP, UDP/IP, RTP(UDP), RTP(TCP), RTSP, NTP, HTTP, HTTPS, SSL, DHCP, PPPoE, FTP, SMTP, ICMP, IGMP, SNMPv1/v2c/v3(MIB-2), ARP, DNS, DDNS, VSIP	
IPv6		TCP/IP, HTTP, HTTPS, SSL, DHCP		
Streaming		Unicast, Multicast		
Security		HTTPS(SSL) Login Authentication, Digest Login Authentication		
DDNS		Supporting Samsung DDNS and Public DDNS services		
Connection	Maximum User Access	Max 10 Users at Unicast Mode / Max 20 Users at Multicast Mode		
	User Access Level	Administrator	Live Monitoring, Alarm I/O control, OSD menu control, PTZ control, SD memory search, SETUP	
		Operator	Live Monitoring, PTZ control, Alarm I/O control	
User		Live Monitoring		
Event Management	Alarm Input	JPEG Image transfer : FTP / JPEG Image Recording : SD memory		
	Motion Detection	Notification : notify to viewer or by E-mail (one image attachment), Alarm Out		
	Schedule	JPEG Image transfer : FTP, E-mail / JPEG Image Recording : SD memory		
Web Browser Viewer (Default)	Supported OS	Windows XP, VISTA		
	Supported Browser	Internet Explorer 6.0 or Higher		
	S/W upgrade	Using Web viewer UI		
SDK	HTTP API	CGI Command	Provides functionality to control cameras and set/retrieve internal parameter values.	
			Get JPEG image or MJPEG stream Alarm In/Out control	
	RTP/RTSP API		RTP Header, RTSP Command Document	
	ActiveX	SDK	ActiveX API for viewing data streams from IP camera.	