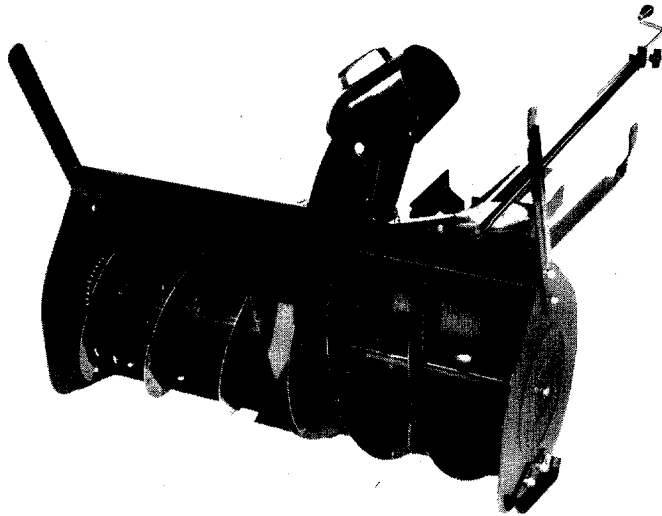


OWNER'S GUIDE

➔ NOTE: Universal Drive Shaft 717-0135 is required to assemble snow thrower to tractor. If 42" or 50" Deck Assembly is included with tractor, Universal Drive Shaft 717-0135 will not be required.



ASSEMBLY • OPERATION • MAINTENANCE • PARTS

40" SNOW THROWER ⁽⁹⁹⁰⁾ ATTACHMENT

Important:

**Read Safety Rules and
Instructions Carefully**

Model Numbers

**191-967A
19967-1**

Thank you for purchasing an
American built product.

LIMITED WARRANTY

For one year from the date of original retail purchase, MTD PRODUCTS INC will either repair or replace, at its option, free of charge, F.O.B. factory or authorized service firm, any part or parts found to be defective in material or workmanship. Transportation charges under this warranty must be paid by the purchaser unless return is requested by MTD PRODUCTS INC.

This warranty will not apply to any part which has become inoperative due to misuse, excessive use, accident, neglect, improper maintenance, alterations, or unless the unit has been operated and maintained in accordance with the instructions furnished. This warranty does not apply to the engine, motor, battery, battery charger or component parts thereof. Please refer to the applicable manufacturer's warranty on these items.

This warranty will not apply where the unit has been used commercially.

Warranty service is available through your local authorized service dealer or distributor. If you do not know the dealer or distributor in your area, please write to the Customer Service Department of MTD.

The return of a complete unit will not be accepted by the factory unless prior written permission has been extended by MTD.

This warranty gives you specific legal rights. You may also have other rights which vary from state to state.

SAFE OPERATION PRACTICES FOR SNOW THROWERS

TRAINING

1. Read the Owner's guide instruction manual carefully. Be thoroughly familiar with the controls and proper use of the equipment. Know how to stop the unit and disengage the controls quickly.
2. Never allow children to operate equipment. Never allow adults to operate equipment without proper instructions.
3. Keep the area of operation clear of all persons, especially small children and pets.
4. Exercise caution to avoid slipping or falling, especially when operating in reverse.

PREPARATION

1. Thoroughly inspect the area where the equipment is to be used and remove all door mats, sleds, boards, wires and other foreign objects.
2. Disengage all clutches and shift into neutral before starting engine.
3. Do not operate equipment without wearing adequate winter outer garments. Wear footwear which will improve footing on slippery surfaces.
4. Handle fuel with care. It is highly flammable.
 - (A) Use approved fuel container.
 - (B) Never add fuel to a running engine or hot engine.
 - (C) Fill fuel tank outdoors with extreme care. Never fill fuel tank indoors.
 - (D) Replace gasoline cap securely and wipe up spilled fuel.
5. Use a grounded three wire plug-in for all units with electric drive motors or electric starting motors.
6. Adjust collector housing height to clear gravel or crushed rock surface.
7. Never attempt to make any adjustments while engine is running (except where specifically recommended by manufacturer).
8. Let engine and machine adjust to outdoor temperature before starting to clear snow.

OPERATION

1. Do not put hands or feet near rotating parts. Keep clear of discharge opening at all times.
2. Exercise extreme caution when operating on or crossing a gravel drive, walks, or roads. Stay alert for hidden hazards or traffic. Do not carry passengers.
3. After striking a foreign object, stop the engine, remove wire from spark plug, thoroughly inspect the snow thrower for any damage, and repair the damage before restarting and operating the snow thrower.
4. If the snow thrower should start to vibrate abnormally, stop the engine and check immediately for the cause. Vibration is generally a warning of trouble.
5. Stop engine whenever you leave the operating position, before unclogging the collector/

impeller housing or discharge guide, and making any repairs, adjustments, or inspections.

6. Take all possible precautions when leaving the vehicle unattended. Disengage the power take-off, lower the attachment, shift into neutral, set the parking brake, stop the engine, and remove the key.
7. When cleaning, repairing, or inspecting make certain collector/impeller, and all moving parts have stopped. Disconnect spark plug wire and keep away from plug to prevent accidental starting.
8. Do not run engine indoors, except when starting engine and for transporting snow thrower in or out of building. Open doors. Exhaust fumes are dangerous.
9. Do not clear snow across the face of slopes. Exercise extreme caution when changing direction on slopes. Do not attempt to clear steep slopes.
10. Never operate snow thrower without guards, plates, or other safety protection devices in place.
11. Never operate snow thrower near glass enclosure, automobiles, window wells, drop-off, etc. without proper adjustments of snow thrower discharge angle. Keep children and pets away.
12. Do not overload machine capacity by attempting to clear snow at too fast a rate.
13. Never operate machine at high transport speeds on slippery surfaces. Use care when backing.
14. Never direct discharge at bystanders or allow anyone in front of unit.
15. Disengage power to collector/impeller when transporting or not in use.
16. Use only attachments and accessories approved by the manufacturer of snow thrower (such as wheel weights, counter weights, cabs, etc.).
17. Never operate the snow thrower without good visibility or light. Always be sure of your footing and keep a firm hold on the handles. Walk, never run.

MAINTENANCE AND STORAGE

1. Check shear bolts, engine mounting bolts, etc. at frequent intervals for proper tightness to be sure equipment is in safe working condition.
2. Never store machine with fuel in the fuel tank inside a building where open flame or spark are present. Allow engine to cool before storing in any enclosure.
3. Always refer to owner's guide instructions for important details if snow thrower is to be stored for an extended period.
4. Run machine a few minutes after throwing snow to prevent freeze up of collector/impeller.

CONTENTS OF HARDWARE PACK: (See figure 1)

- | | | | | | |
|---|------|--------------------------------|----|-----|------------------------------------|
| A | (1) | Idler pulley | T | (4) | Lock washers 1/2" I.D. |
| B | (1) | Hex bolt 3/8-24 x 1-3/4" long | U | (4) | Hex lock nuts 1/2-13 thread |
| C | (1) | Belleville washer | V | (4) | Carriage bolts 5/16-18 x 5/8" long |
| D | (1) | Hex lock nut 3/8-24 thread | W | (4) | Lock washers 5/16" I.D. |
| E | (2) | Clevis pin | X | (4) | Hex nuts 5/16-18 thread |
| F | (2) | Hair Pin Cotter | Y | (4) | Carriage bolts 3/8-16 x 3/4" long |
| G | (10) | Hex bolts 3/8-16 x 3/4" long | Z | (4) | Belleville washers 3/8" I.D. |
| H | (10) | Flat washers 3/8" I.D. | AA | (4) | Hex nuts 3/8-16 thread |
| I | (10) | Hex lock nuts 3/8-16 thread | AB | (2) | Shoulder bolts 7/16-14 thread |
| J | (3) | Flange keepers | AC | (2) | Lock washers 7/16" I.D. |
| K | (6) | Hex lock nuts 1/4-20 thread | AD | (2) | Hex nuts 7/16-14 thread |
| L | (1) | Cotter pin | AE | (4) | Hex bolts 5/16-18 x 3/4" long |
| M | (1) | Chute crank bracket | AF | (4) | Lock washers 5/16" I.D. |
| N | (1) | Hand knob | AG | (4) | Hex nuts 5/16-18 thread |
| O | (2) | Hex bolts 5/16-18 x 1" long | AH | (4) | Hex bolts 7/16-20 x 1" long |
| P | (2) | Lock washers 5/16" I.D. | AI | (4) | Lock washers 7/16" I.D. |
| Q | (2) | Hex nuts 5/16-18 thread | AJ | (4) | Hex nuts 7/16-20 thread |
| R | (4) | Hex bolts 1/2-13 x 1-1/4" long | AK | (4) | Front hanger links |
| S | (4) | Spacers | | | |

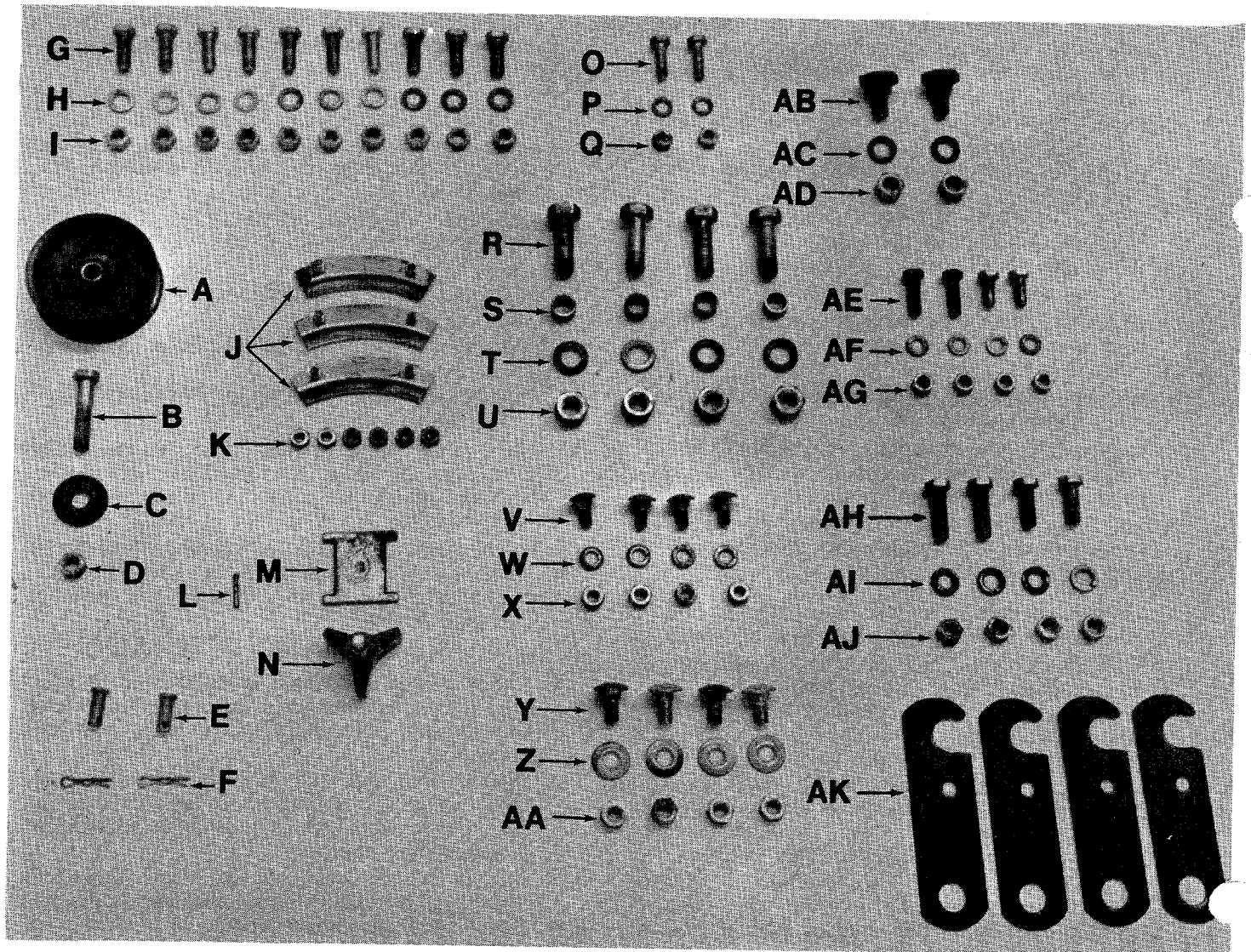


FIGURE 1

ASSEMBLY INSTRUCTIONS

TOOLS REQUIRED

- (1) Adjustable wrench
- (1) 9/16" Open end or box wrench
- (1) 1/2" Open end or box wrench
- (1) 7/16" Open end or box wrench
- (1) 3/4" Open or box wrench
- (1) 11/16" Open end or box wrench
- (1) Drift or punch
- (1) Pair of pliers

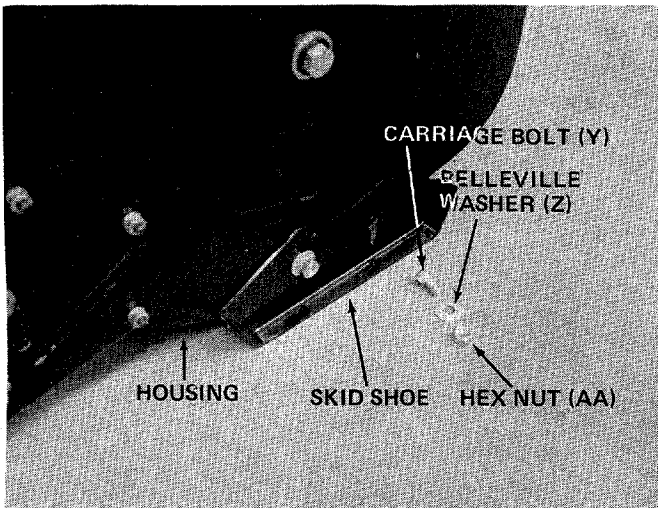


FIGURE 2

1. Assemble the skid shoes to each side of snow thrower housing. Place head of carriage bolt (Y) to the inside of housing and fasten with belleville washer (Z) and hex nut (AA). Only make finger tight at this time. See figure 2.

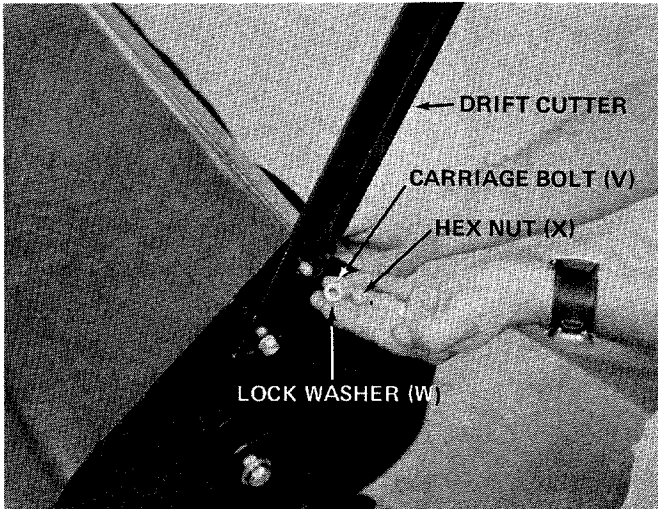


FIGURE 3

2. Assemble the drift cutters to each side of snow thrower housing. Place head of carriage bolt (V) to the inside of housing and fasten with lock washer (W) and hex nut (X). A 1/2" wrench is required. See figure 3.

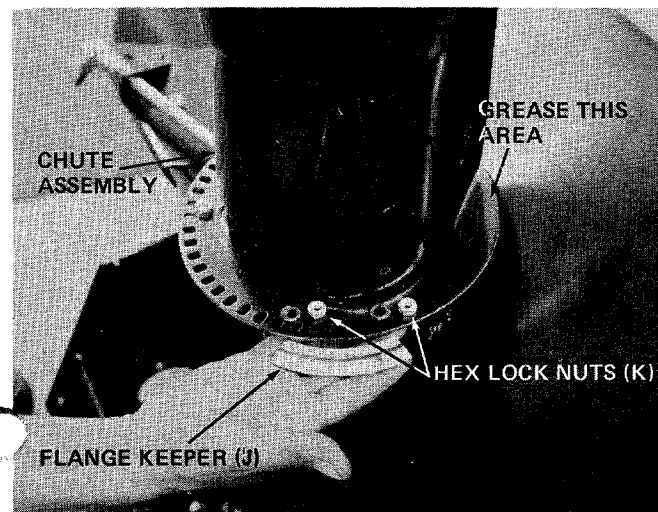


FIGURE 4

3. Apply a little grease to the lip of the chute opening before assembly of chute. See figure 4.
4. Set the chute assembly in place on the chute opening of snow thrower housing. Secure in place with three flange keepers (J) and six hex lock nuts (K). A 7/16" wrench is required. See figure 4.

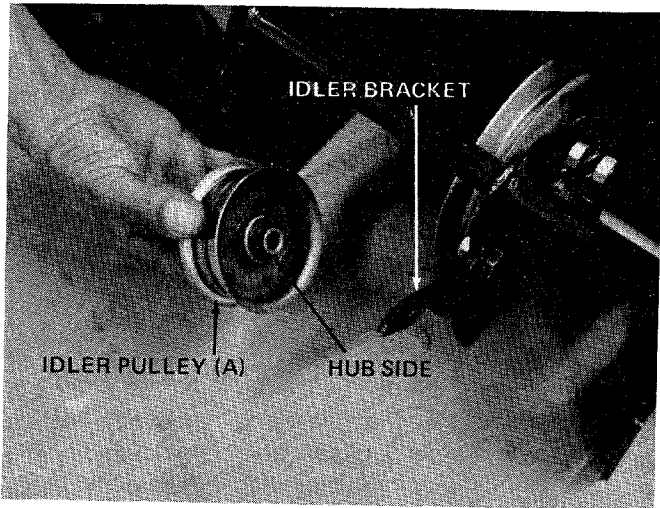


FIGURE 5

- Assemble the idler pulley (A) to the idler bracket on snow thrower housing.



Hub side of idler pulley must be assembled towards the idler bracket. See figure 5.

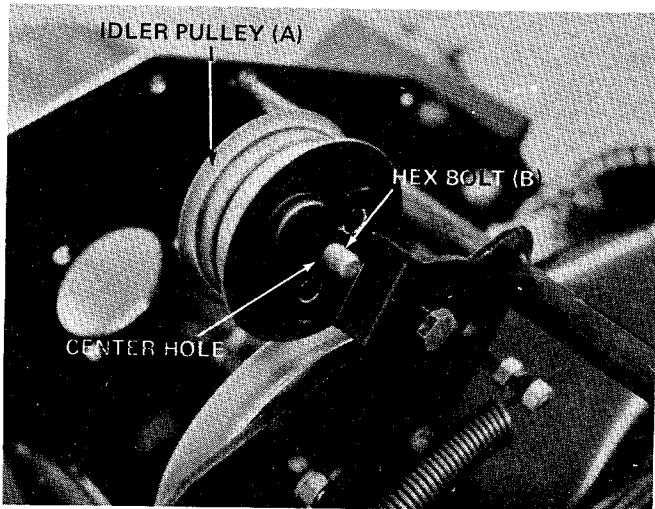


FIGURE 6

- Place hex bolt (B) through idler pulley (A) and through center hole on idler bracket. See figure 6.



The idler bracket has three holes for belt tension adjustment. Normally, the center hole on the idler bracket is used when assembling the idler pulley. When the belt is assembled to the snow thrower (Step numbers 11, 12 and 13), the idler pulley may be moved to the top hole if the belt is too tight.

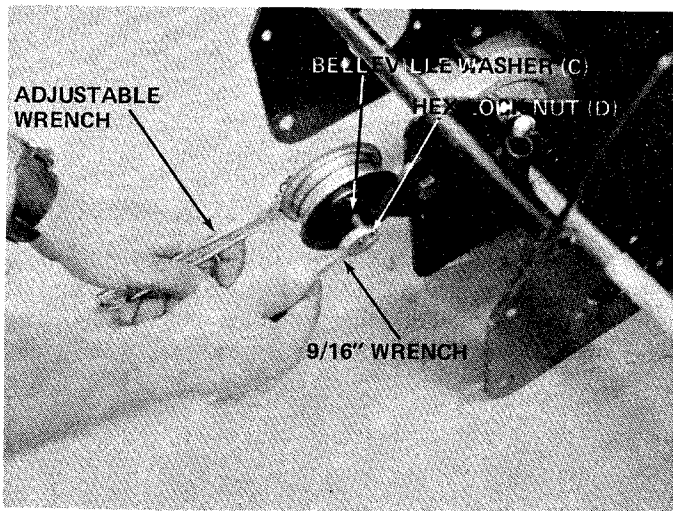


FIGURE 7

- Secure idler pulley (A) and hex bolt (B) to idler bracket with belleville washer (C) and hex lock nut (D). An adjustable wrench and a 9/16" wrench is required. See figure 7. **Tighten securely.**

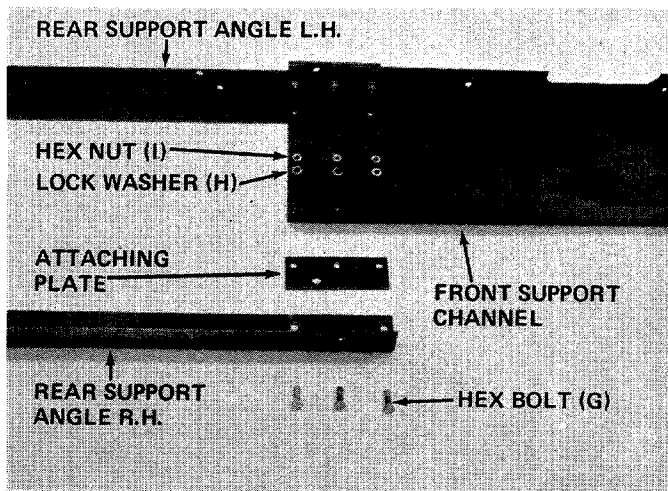


FIGURE 8

6. Preassemble the front support channel and the rear support angles as follows:
 - A. Place the front support channel on a work bench or the floor. Place the rear support angles in position as shown in figure 8.
 - B. Place the attaching plates between front support channel and rear support angles. See figure 8.
 - C. Place hex bolts (G) through holes in side of rear support angles, attaching plates and front support channel. See figure 8.
 - D. Secure hex bolts (G) with lock washers (H) hex nuts (I). **Make only finger tight.** See figure 8.

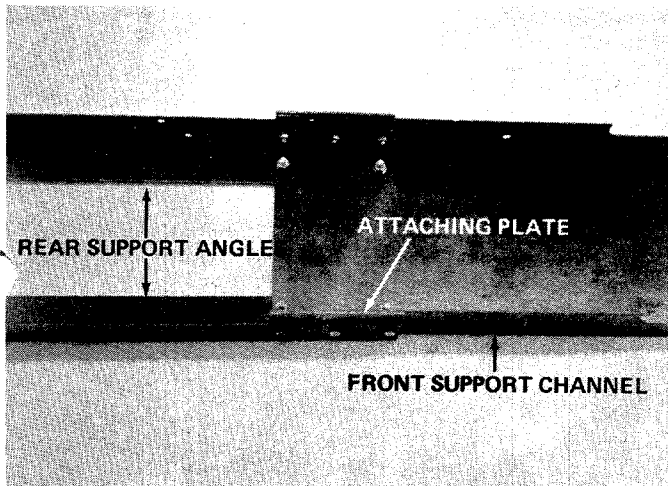


FIGURE 9

- E. Raise front support channel up and secure the bottom four holes with hex bolts (G), lock washer (H) and hex nuts (I). See figure 9.
- F. Tighten all ten bolts and nuts with 9/16" wrench and adjustable wrench.

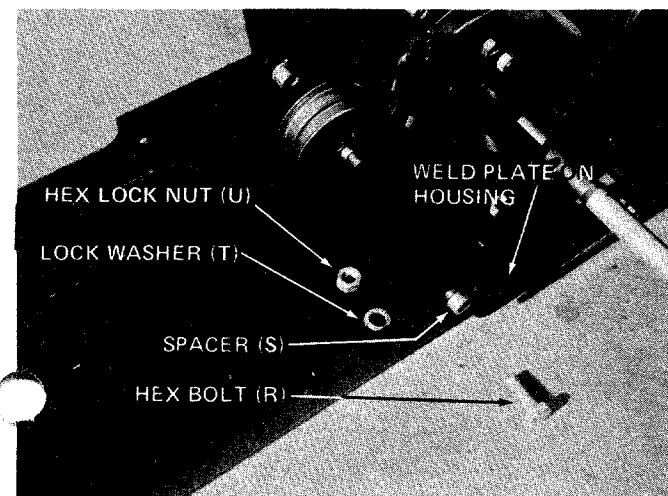


FIGURE 10

7. Assemble the front support channel to the snow thrower housing. Place the front support channel between weld plates on housing. On one side, place spacers (S) between channel and housing and secure with hex bolts (R), lock washers (T) and hex lock nuts (W). See figure 10. Just start nuts on by hand. Using a drift pin or punch on by hand. Using a drift pin or punch on the other side, line up spacers (S) between channel and housing and secure in same manner. An adjustable wrench and a 3/4" wrench is required. **Tighten securely.**

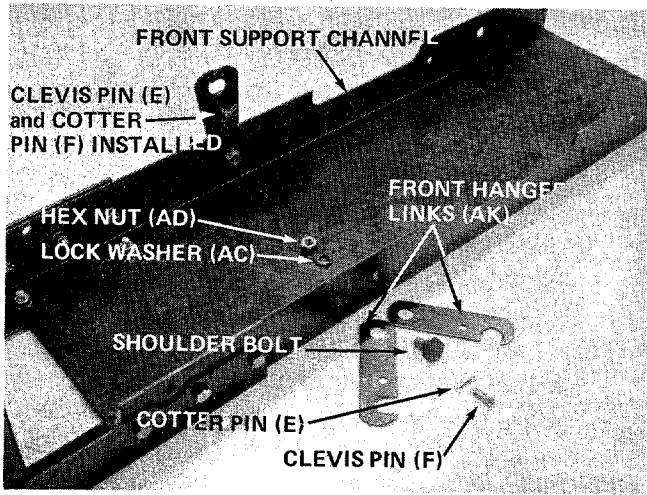


FIGURE 11

- Assemble the front hanger links (AK) to the front support channel. Insert shoulder bolt (AB) through large hole on hanger links (AK), then through the front support channel. Secure with lock washer (AC) and hex nut (AD). See figure 11. Insert clevis pin (F) through small hole in front hanger links (AK) to hold them in position. Secure with cotter pin (E). See figure 11. Cotter pin and clevis pin will be removed later.

NOTE

Be sure hanger brackets swing freely on shoulder bolt.

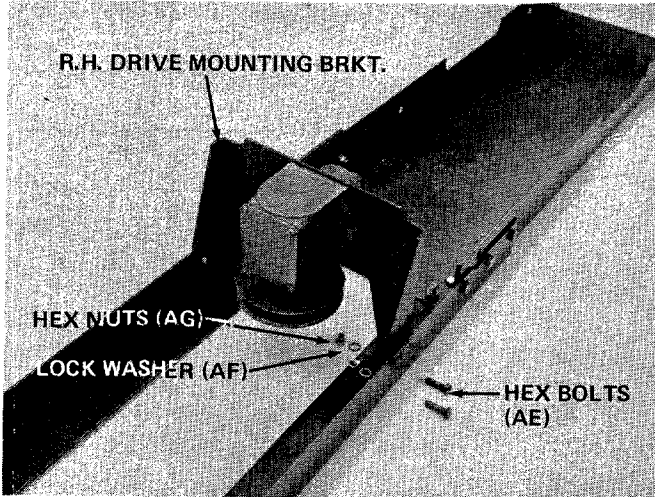


FIGURE 12

- Secure right hand drive mounting bracket to rear support angles with hex bolts (AE), lock washers (AF) and hex nuts (AG). See figure 12. **Tighten securely.**

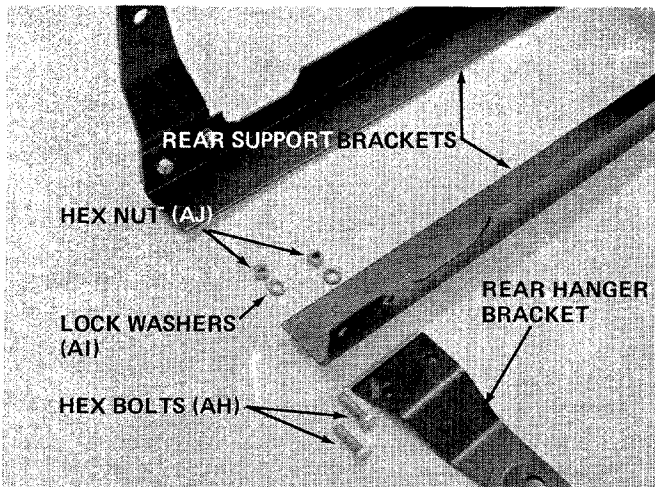


FIGURE 13

- Attach rear hanger brackets to rear support brackets using hex bolts (AH), lock washers (AI) and hex nuts (AJ). See figure 13. **Tighten finger tight only at this time.**

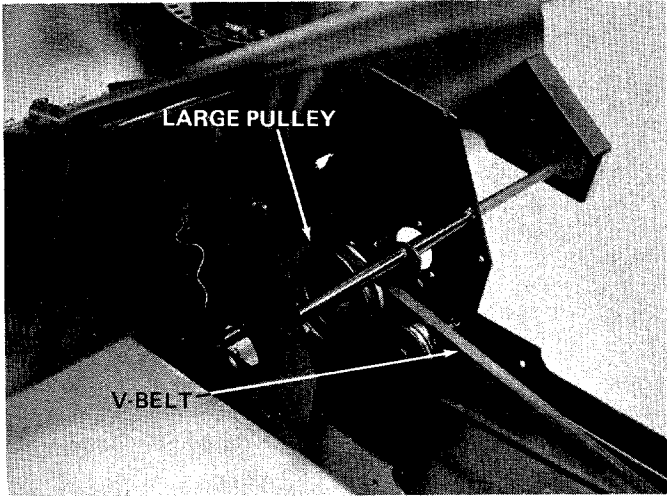


FIGURE 14

- ← 11. Position V-belt over large pulley on snow thrower housing. See figure 14.

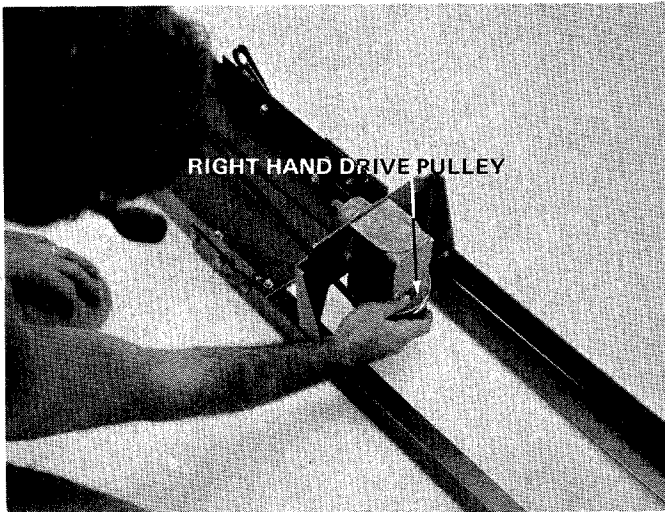


FIGURE 15

- ← 12. Twist V-belt 90° to the left and feed on to right hand drive pulley. See figure 15.

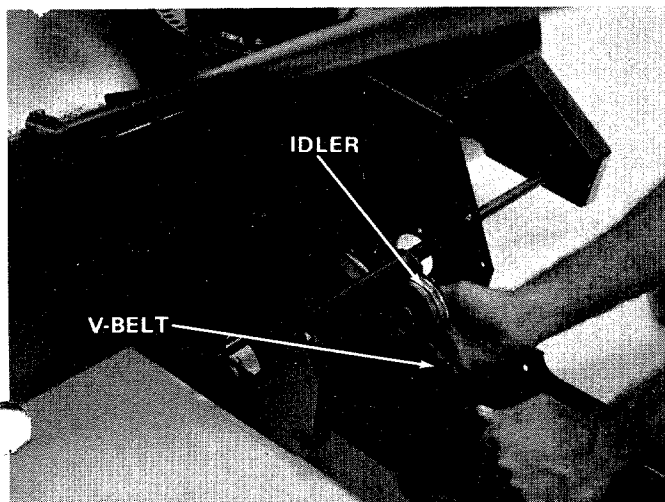


FIGURE 16

13. Lift idler and push V-belt under it to create tension on the belt.



Idler bracket is under spring tension.
Exercise caution.

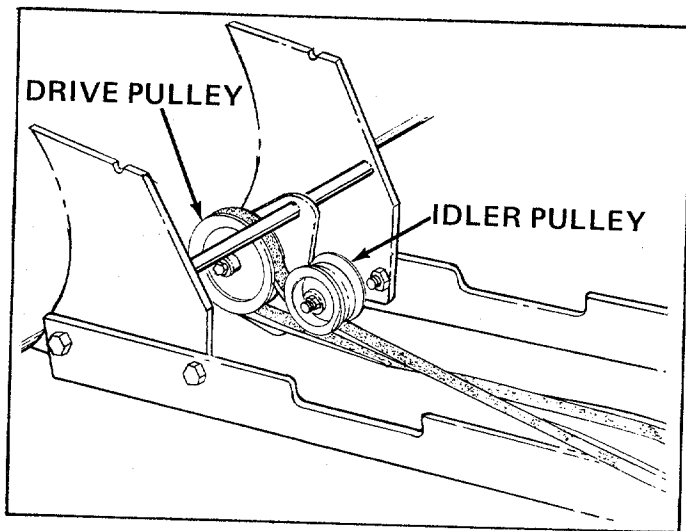


FIGURE 17

NOTE

Belt must be assembled as shown in figure 17. Top of belt goes over drive pulley and under idler pulley then twist belt to the left. The bottom of the belt goes to the right. If the belt is assembled incorrectly, the spirals will run in reverse.

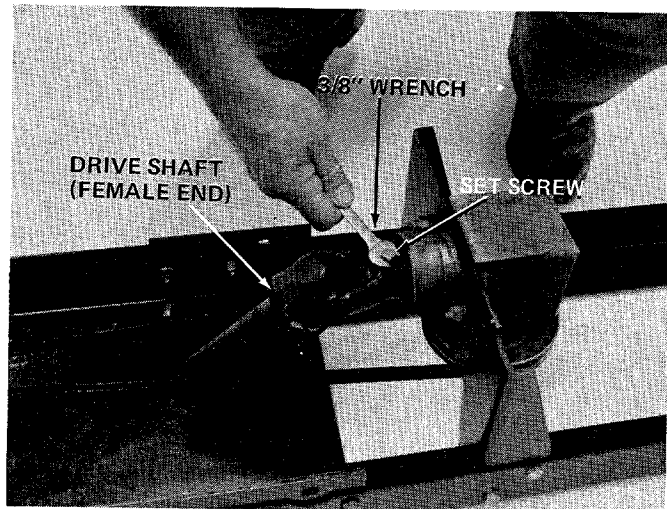


FIGURE 18

ATTACHING SNOW THROWER TO TRACTOR

NOTE

Universal drive shaft is not included with snow thrower attachment. It is included with the cutting deck. If you do not have a cutting deck, order part number 717-0135.

1. Slip female end of drive shaft over shaft of right angle drive. Make sure key way is in shaft. Tighten set screw with 3/8" open end wrench. See figure 18.

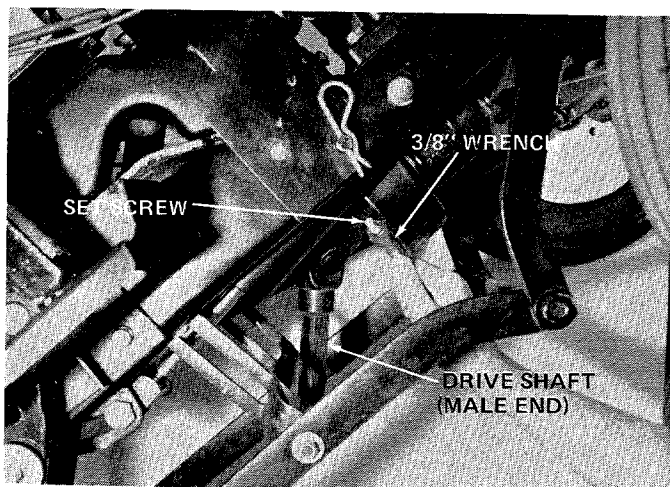


FIGURE 19

2. Slip male end of drive shaft over tractor P.T.O. There are two set screws. Tighten both with 3/8" open end wrench. See figure 19. Tractor was elevated for photo clarity. Tractor does not have to be raised to install drive shaft.

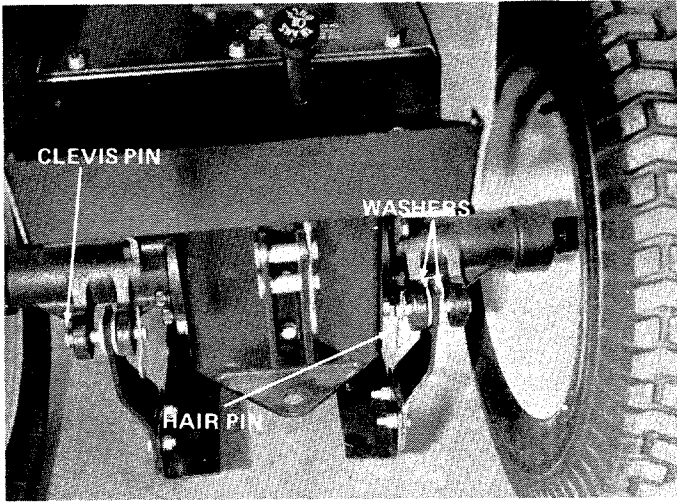


FIGURE 20

3. Raise the tractor undercarriage to highest position.
4. Roll the tractor over the rear of snow thrower.
5. Slip the universal drive shaft ends together.
6. Raise the rear end of snow thrower up to align hanger brackets with holes in back of tractor transaxle. Use clevis pins, washers and hair pins from tractor 3 point hitch. After installing clevis pins, tighten bolts on hanger brackets using two 9/16" open end wrenches. See figure 20.

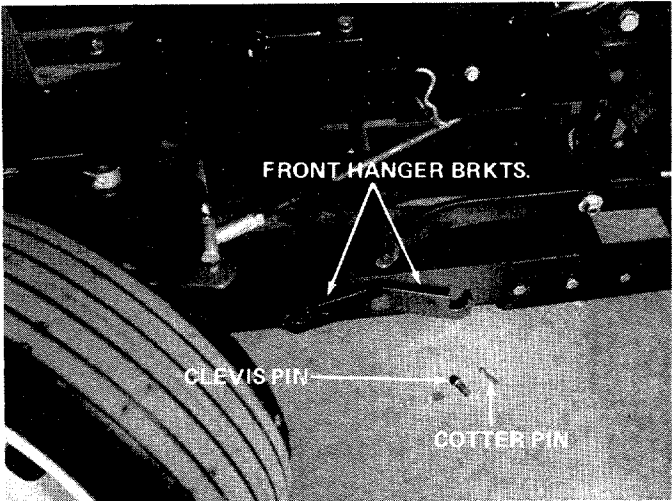


FIGURE 21

7. Remove cotter pin and clevis pin from front hanger brackets. Swing brackets open. See figure 21.

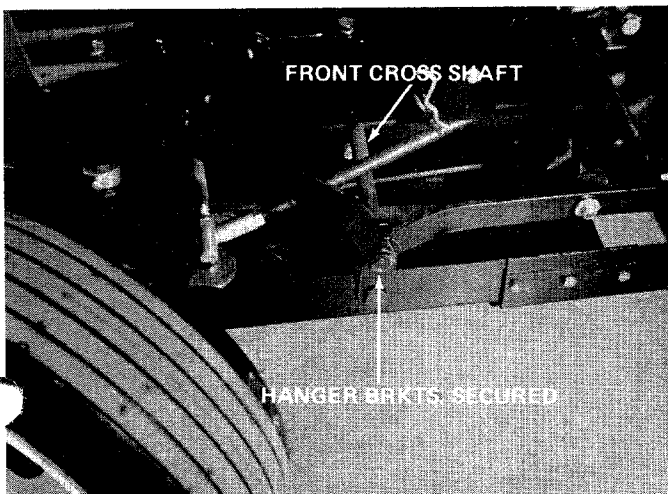


FIGURE 22

8. Lower tractor under carriage and install hanging brackets to front cross shaft. See figure 22. Put clevis pin through small hole on hanging brackets to secure brackets around cross shaft. Insert hair pin into hole in clevis pin, to hold pin in position.

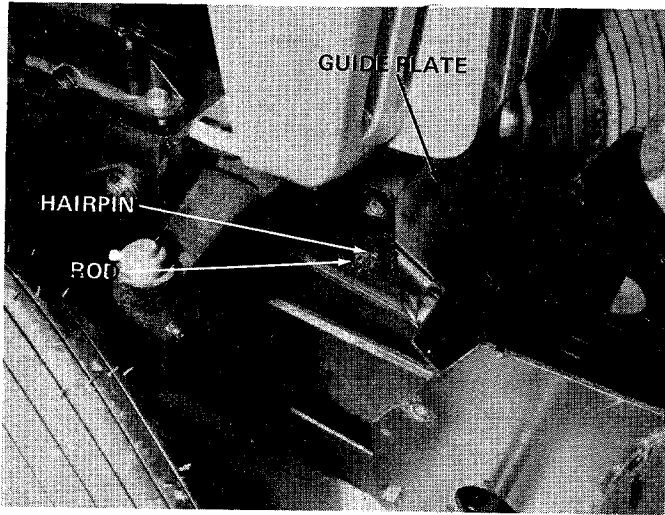


FIGURE 23

9. Turn steering wheel to the right to allow clearance for guide plate rod.
10. Align holes on guide plate with lower holes on tractor. Slide rod through holes. Secure with hair pin cotters.

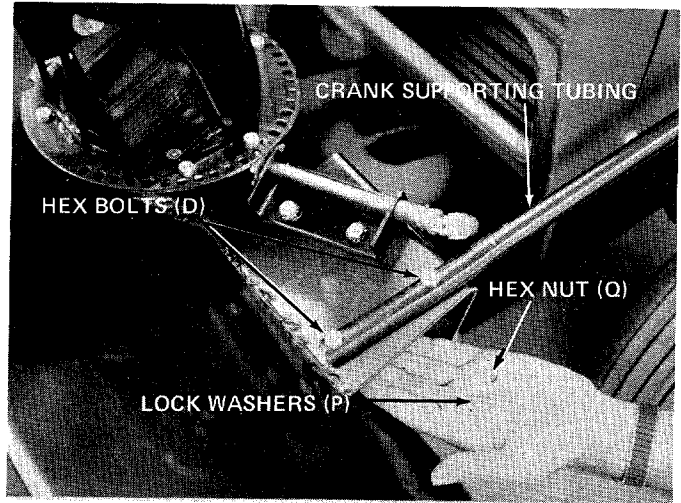


FIGURE 24

11. Assemble the crank support tubing to the snow thrower housing. Secure in place with two hex bolts (O), lock washers (P) and hex nuts (Q). See figure 24. An adjustable wrench and 1/2" wrench are required.

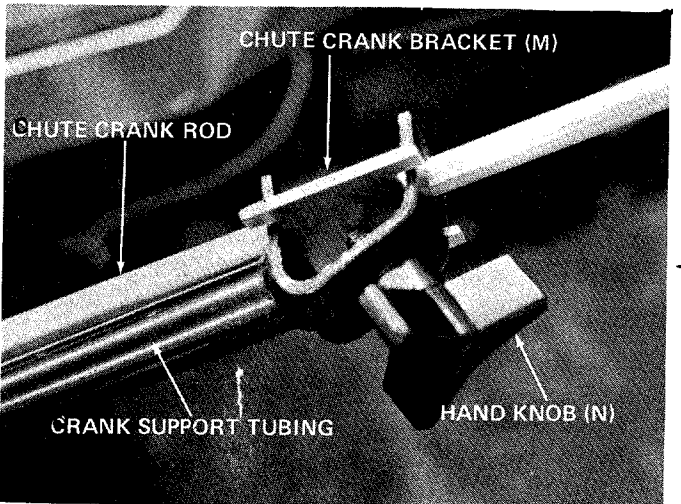


FIGURE 25

12. Place the chute crank bracket (M) in position on the crank support tubing. Slide the chute crank through the top of crank support tubing. Start hand knob (N) in crank support tubing. See figure 25.

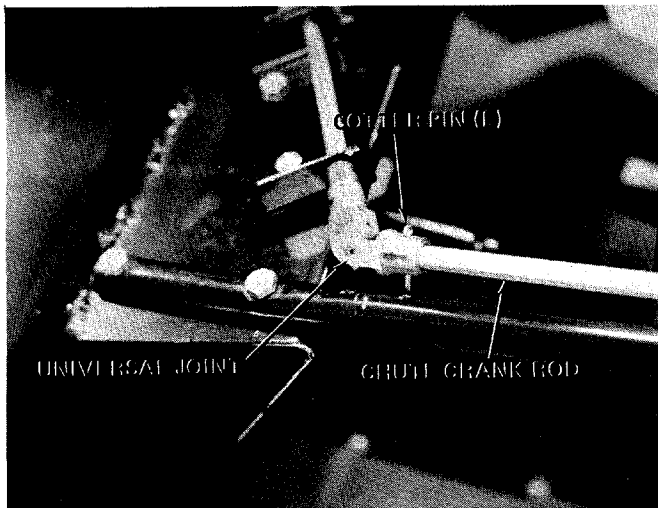


FIGURE 26

13. Slip the end of chute crank rod into the universal joint. Secure with cotter pin (L). See figure 26.
14. Adjust skid shoes to desired position and tighten hex nuts. See adjustment section.
15. Check tire pressure. It may be necessary to put more air into the front tires due to the weight of the snow thrower.

OPERATION

This snow thrower is capable of handling heavy snow conditions. If given the opportunity to function within reasonable requirements it should give many years of service. Become fully familiar with all aspects of both the tractor and snow thrower prior to its usage.

BEFORE PLACING SNOW THROWER INTO OPERATION

1. Check all nuts and bolts for correct tightness and be sure that all parts are properly assembled.
2. Test all controls for smooth operation.
 - A. Hydraulic Lift Lever
 - B. Discharge chute control crank
 - C. Discharge chute and deflector
3. Starting and stopping snow thrower.

The snow thrower is driven by a universal drive shaft from the tractor. It is operated through the tractor P.T.O. Start tractor engine and run at full throttle. Engage the P.T.O. lever (Right hand side of tractor).

To stop snow thrower operation, pull the P.T.O. handle towards you.

PREPARATION

1. Check the tractor and thrower to make certain both are in good operating condition.
2. Fill gas tank out of doors and avoid spilling gasoline. Do not fill tank while engine is running. Wipe up any spilled gas.
3. Do not remove any guards or covers while operating tractor and thrower.

TO RAISE AND LOWER SNOW THROWER

The hydraulic lift lever or the tractor is used to raise and lower the snow thrower. It is located on the right hand side of the tractor console. To raise snow thrower, pull back on lever until desired height is attained. Full up position gives approximately 4" clearance. To lower snow thrower, push lever forward until thrower touches ground.

Snow thrower height can be changed by using the height adjustment on left side of tractor and/or adjusting the skid shoes.

DISCHARGE CHUTE CONTROL CRANK

The discharge chute control crank is located on the left hand side of the snow thrower. The chute crank controls the direction in which snow is thrown. The discharge radius is 180° degrees. Turn crank to the right to direct snow to the right hand side. Turn to the left to direct snow to left hand side.

OPERATING SPEED

The spiral speed is directly related to engine speed. For maximum snow removal and discharge, maintain high engine R.P.M. (full throttle). The tractor's forward speed is controlled by selecting one of the forward speeds. It is advisable to operate the tractor at a slow ground speed (1st gear) for safe and efficient snow removal.

SNOW CONDITIONS

Snow removal conditions vary greatly from light fluffy snow fall to wet heavy snow. Therefore, operating instructions must be flexible to fit conditions encountered. The operator must adapt the tractor and snow thrower to depth of snow, wind direction, temperature, and surface conditions.

DEEP OR DRIFTED SNOW

In deep, drifted, or banked snow, it will be necessary to use full throttle and first speed. Drive the spiral into the snow, disengage clutch and allow spiral to clear the snow. Repeat this method until a path is cleared. On the second pass, overlap the first enough to allow the spiral to handle the snow without repeated clutching and declutching of the tractor.

In extremely deep snow, raise thrower from the ground, drive tractor ahead in the deep snow to remove top layers first. Do not drive tractor into snow bank where snow has not been removed to ground level. Disengage tractor clutch and allow thrower to clear the snow. Reverse tractor and lower thrower to the ground. Drive tractor ahead and repeat process to remove balance of snow. Working with repeated passes into and out of drifts will eventually move even the deepest of snow piles.



CAUTION

If snow thrower becomes plugged with snow, or jammed due to hitting a foreign object, disengage snow thrower immediately and stop tractor engine. Clear snow from chute if plugged, before resuming operation.



NOTE

If spiral is jammed or bent from hitting a foreign object, stop tractor engine. Remove spark plug wire from spark plug and then remove foreign object from spiral. If spiral damage is noted, repair prior to continuing operation. Then replace spark plug wire and resume operation.

OPERATING TIPS

1. Whenever possible discharge snow down wind.
2. Do not attempt to remove ice or hard packed frozen snow.
3. Always overlap each pass slightly to assure complete snow removal.
4. A frozen or stuck spiral or chute must be broken loose or thawed with care. When attempting to loosen frozen or jammed spiral, shut off tractor engine and remove spark plug wire. Never attempt to clear snow thrower at any time with tractor engine running.



NOTE

When snow thrower and tractor are not in use, lower snow thrower to the ground. This will prevent excess weight on front tires.

USE OF TIRE CHAINS

Tire chains should always be used when extra traction is needed. They add maneuverability in handling snow removal jobs.

ADJUSTMENTS



WARNING

Stop tractor engine and disconnect spark plug wire before making any adjustments, repairs or maintenance on the snow thrower.

UPPER CHUTE DEFLECTOR

The upper chute deflector mounted on the chute determines the distance snow is thrown. Moving top of deflector down decreases distance of throw and raising deflector increases distance of throw. Operator must get off tractor to make this adjustment. Disengage spirals (by disengaging the P.T.O. lever, located on the right hand side of tractor) before making this adjustment.

To adjust, loosen hand knob on the side of chute deflector and pivot to desired position. Retighten hand knob. See figure 27.

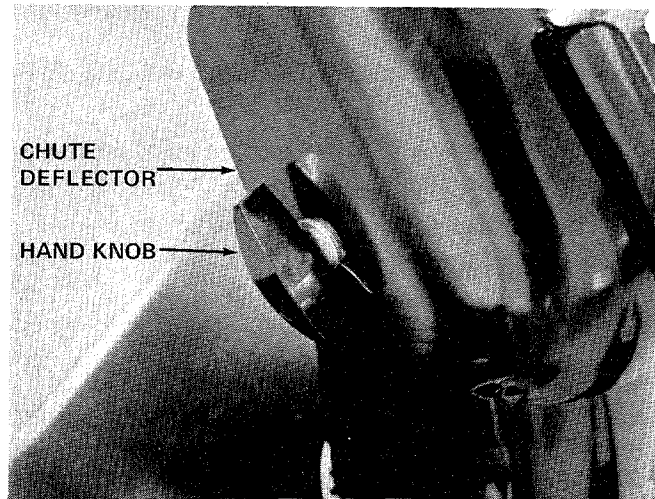


FIGURE 27

SKID SHOE ADJUSTMENT

The skid shoes are mounted on each side of spiral housing. These regulate the distance the shave plate is raised above the plowing surface. When removing snow from a gravel driveway or an uneven surface, it is advisable to keep shave plate as high above the surface as possible to prevent possible damage to spiral.

On blacktop or concrete surface, keep shave plate as close to the surface as possible. Skid shoes can be adjusted so that shave plate will rest directly on the surface. Turning skid shoes around will allow even wear on skid shoes.

Raise snow thrower off the ground and place a block at each end of shave plate. Loosen 4 hex nuts securing skid shoes to spiral housing (2 nuts on each side). Move skid shoes up or down to desired position and tighten nuts securely. Adjust both skid shoes to the same height to keep spiral level. See figure 28.

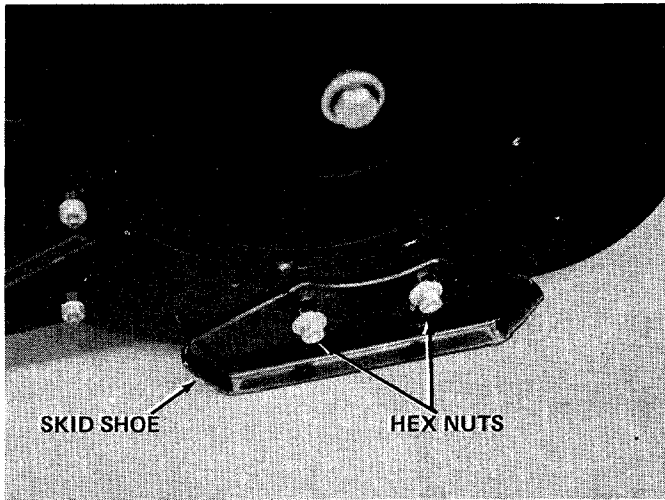


FIGURE 28
SPIRAL DRIVE CHAIN ADJUSTMENT

Excessive slack in spiral drive chain due to normal chain stretch can be removed by adjusting spiral housing nuts.

To adjust spiral chain:

1. Disengage snow thrower and loosen the adjusting nut 2 or 3 complete turns. See figure 29.

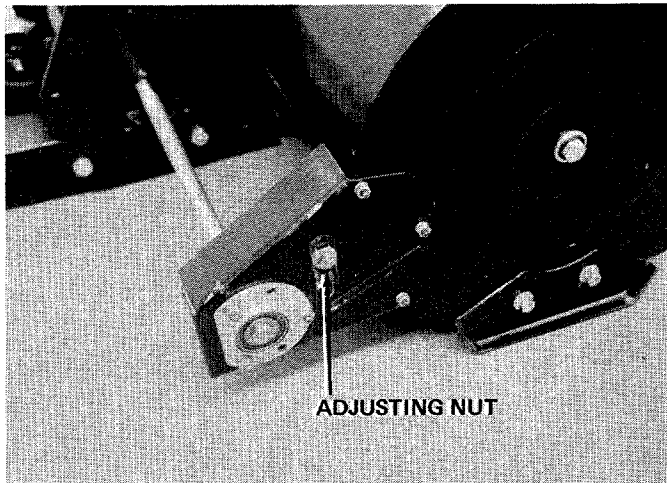


FIGURE 29

2. Move adjusting nut down as needed.



Do not over tighten chain. A correctly adjusted chain will have a slight amount of slack. An over tightened chain will result in early failure of chain.

3. Tighten adjusting nut to secure chain adjustment. Check chain clearance. It must clear chain guard assembly. Test chain and repeat adjustment if necessary until all excess slack is removed.

BELT TENSION ADJUSTMENT

Periodically check spiral drive belt to insure that it is properly adjusted. It is important to maintain proper belt adjustment to obtain maximum belt life.

The idler bracket has three holes for belt tension adjustment. As the belt stretches from normal wear, more belt tension may be required. Check the idler spring for wear against the drive shaft at least once a season. If the idler spring is rubbing against the drive shaft, the belt has stretched and must be adjusted. Remove the idler pulley from the bracket, and re-assemble in next lower hole on the bracket.

If belt is stretched beyond idler take up, replace with a new belt of the type specified in parts list.

LUBRICATION

1. Spiral drive chain: Lubricate chain every 40 hours with No. 30 oil. It is important that oil reaches inside each roller. Wipe off excess oil from chain. See figure 30.

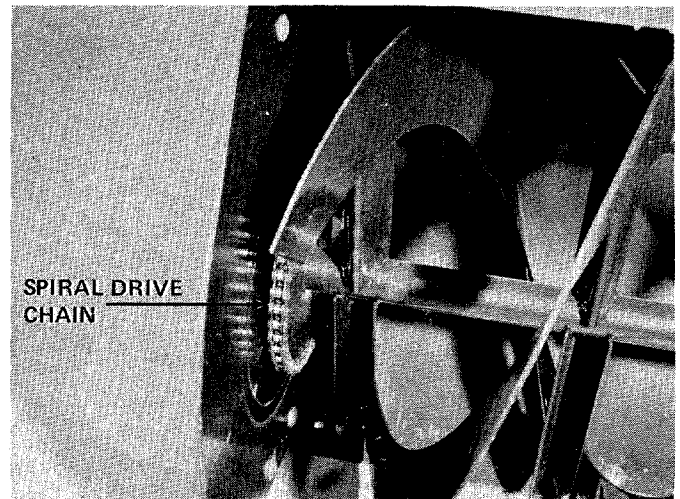


FIGURE 30

2. Pivot and friction points: To maintain smooth and free operation, apply a few drops of No. 30 oil as required to all pivot and friction points.

The spiral and idler pulley bearings are self-lubricating. However, periodic lubrication with No. 30 oil will lengthen service life.

MAINTENANCE

SHAVE PLATE AND SKID SHOES

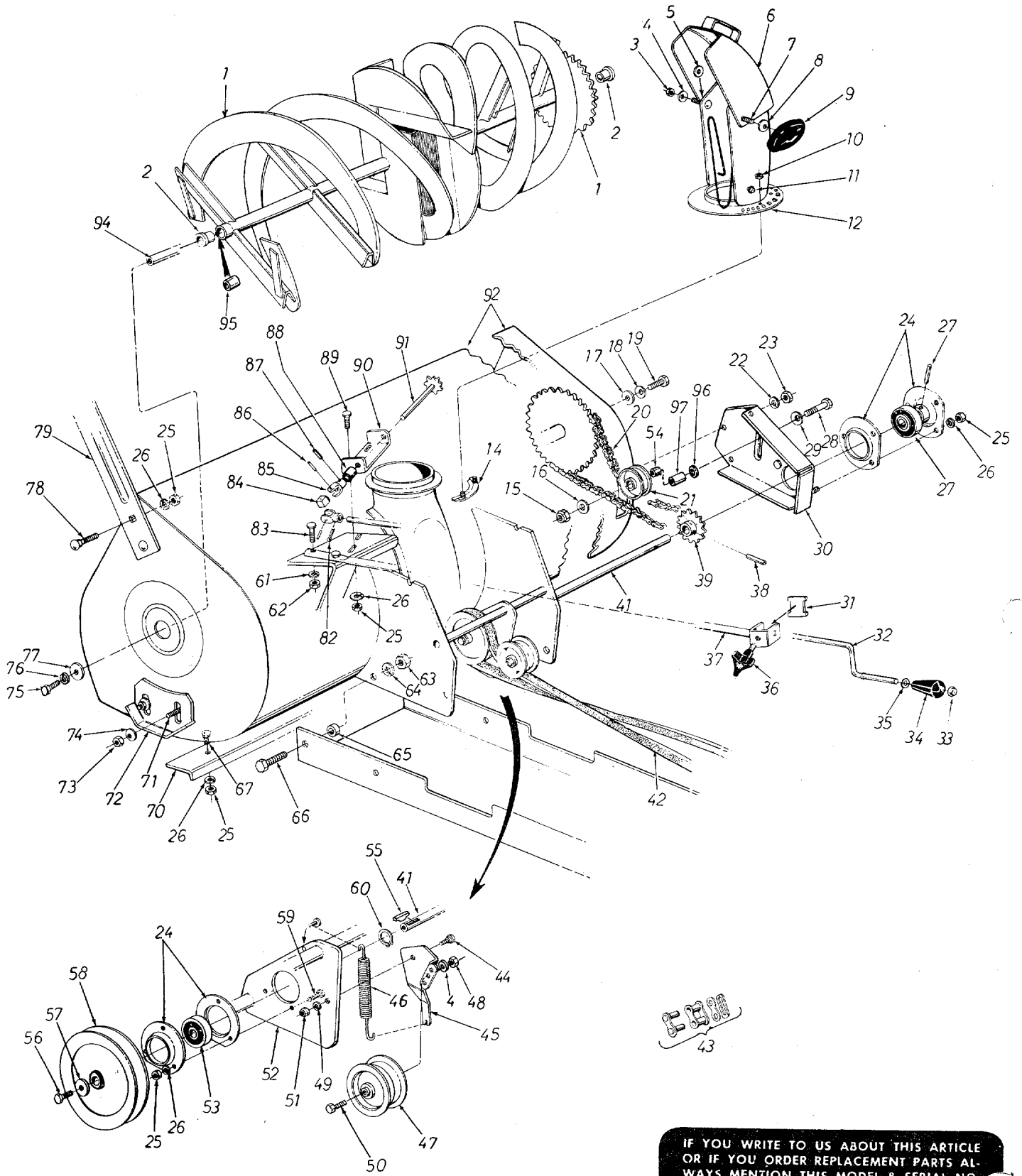
Both the shave plate and skid shoes are subject to wear and are designed to be easily replaced. Replace before wear is excessive. Failure to do so will result in damage to the spiral housing.

OFF-SEASON STORAGE

At the end of the snow season, the following steps are recommended:

1. Remove snow thrower assembly from tractor.
2. Wash off any salt deposit which may have dried on the thrower and housing. Paint or cover exposed metal with a light coat of oil.
3. Follow lubrication recommendations. Thrower drive chain must be oiled thoroughly to prevent rust from forming. The preferred method is to remove the chain and soak in oil for several hours before reinstalling.
4. Store thrower in a dry place.

191-967A 19967-1



EXPLODED VIEW

IF YOU WRITE TO US ABOUT THIS ARTICLE
OR IF YOU ORDER REPLACEMENT PARTS AL-
WAYS MENTION THIS MODEL & SERIAL NO
MODEL

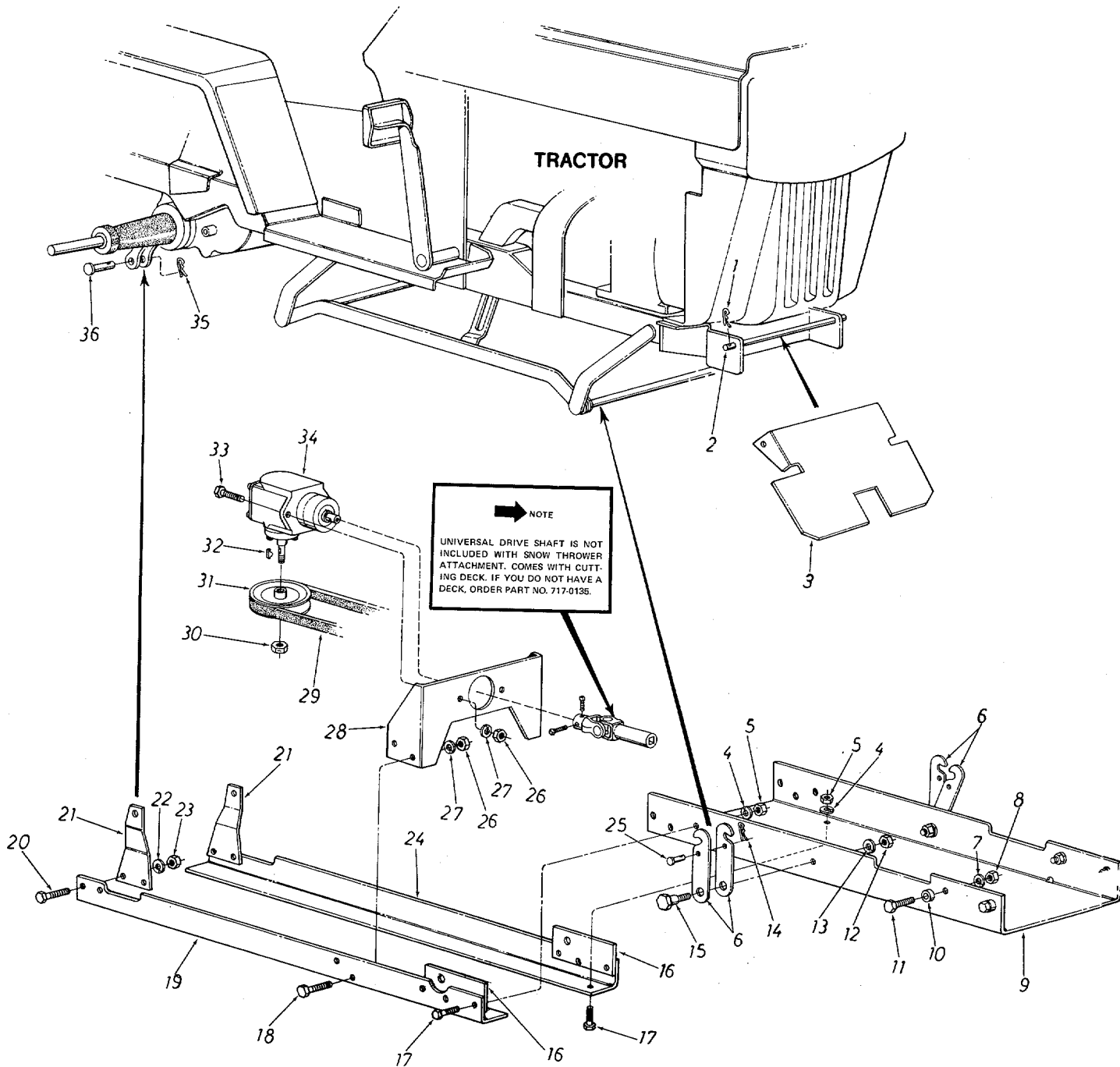
191-967A

19967-1

PARTS LIST FOR MODEL 191-967 and 19967-1

REF. No.	PART No.	COLOR CODE	DESCRIPTION	NEW PART	REF. No.	PART No.	COLOR CODE	DESCRIPTION	NEW PART
1	05730		Spiral Ass'y.		50	710-0539		Hex Bolt 3/8-24 x 1.75" Lg.*	
2	741-0227		Flange Bearing		51	712-0267		Hex Nut 5/16-18 Thd.*	
3	712-0158		Hex Cent. L.-Nut 5/16-18 Thd.		52	05725		Spiral Housing Ass'y.	
4	736-0105		Belleville Wash. 3/8" I.D.		53	741-0309		Self-Aligning Bearing	
5	736-0179		Flat Washer 3/8" I.D.		54	741-0322		Sleeve Bearing .50 I.D.	
6	05225		Top Chute Ass'y.		55	741-0388		#61 Hi-Pro Key	
7	710-0260		Carriage Bolt 5/16-18 x .62" Lg.*		56	710-0170		Hex Bolt 5/16-24 x .62" Lg.*	
8	736-0105		Belleville Wash. 3/8" I.D.		57	736-0231		Fl.-Wash. 5/16" I.D.	
9	09966		Hand Knob		58	756-0215		"V"-Pulley .750" I.D. x 5.50" O.D.	
10	712-0107		Hex Cent. L.-Nut 1/4-20 Thd.						
11	726-0111		Push Cap .188" Dia. Rod		59	710-0198		Hex Sems Bolt 5/16-18 x .75" Lg.*	
12	05404		Chute Ass'y.						
14	05031		Chute Flange Keeper Ass'y.		60	716-0119		Snap Ring	
15	712-0130		L.-Nut 3/8-16 Thd.		63	712-0206		Hex L.-Nut 1/2-13 Thd.	
16	736-0300		Fl.-Wash.		64	736-0921		L.-Wash. 1/2" I.D.*	
17	736-0179		Fl.-Wash.		65	750-0336		Spacer	
18	736-0253		Belleville Wash.		66	710-0474		Hex Bolt 1/2-13 x 1.25" Lg.*	
19	710-0493		Hex Bolt 1/2-13 x 1.00" Lg.*		67	710-0260		Carriage Bolt 5/16-18 x .62" Lg.*	
20	713-0189		#420 Chain 1/2" Pitch x 77 Links		70	05723		Shave Plate	
21	756-0385	0358	Plastic Idler		71	710-0389		Carriage Bolt 3/8-16 x .75" Lg.*	
22	736-0329		L.-Wash. 1/4" I.D.*						
23	712-0287		Hex Nut 1/4-20 Thd.*		72	05571		Skid Shoe	
24	741-0311		Bearing Housing		73	712-0798		Hex Nut 3/8-16 Thd.*	
25	712-0267		Hex Nut 5/16-18 Thd.*		74	736-0105		Belleville Wash. 3/8" I.D.	
26	736-0119		L.-Wash. 5/16" I.D.*		75	710-0493		Hex Bolt 1/2-13 x 1.00" Lg.*	
27	741-0310		Self-Aligning Bearing		76	736-0253		Belleville Wash. 1/2" I.D.	
28	710-0347		Hex Bolt 3/8-16 x 1.75" Lg.*		77	736-0179		Fl.-Wash.	
29	736-0105		Belleville Wash. 3/8" I.D.		78	710-0260		Carriage Bolt 5/16-18 x .62" Lg.*	
30	05721		Chain Guard Ass'y.						
31	05403		Chute Crank Brkt.		79	05139		Drift Cutter	
32	05120		Chute Crank		82	714-0111		Cotter Pin 3/32" Dia.	
33	726-0100		Push Nut 3/8" Rod		83	710-0442		Hex Bolt 5/16-18 x 1.50" Lg.*	
34	720-0171		Knob 3/8" Dia. Hole						
35	736-0117		Flat Washer		84	711-0584		Joint Block	
36	726-0170		Hand Knob 5/16-18 Thd.		85	05066		Joint Bracket Ass'y.	
37	05922		Crank Support Tubing Ass'y.	N	86	715-0103		Spring Pin Roll 1/8" Dia. x .75" Lg.*	
38	715-0118		Spring Pin Spiral 5/16" Dia. x 1.75" Lg.		87	715-0103		Spring Pin Roll 1/8" Dia. x .75" Lg.*	
39	713-0188		14 Teeth Sprocket Ass'y.						
41	738-0458		Drive Shaft		88	748-0193		Spacer .380" I.D. x .630" O.D. x .565	
42	754-0238		"V"-Belt 1/2" x 92" Lg. (Kevlar)	N	89	710-0118		Hex Bolt 5/16-18 x .75" Lg.*	
43	713-0154		Master Link for #420 Chain						
44	738-0140		Shld. Bolt .435" Dia. x .178" Lg.		90	05402		Chute Bracket	
45	05724		Idler Brkt. Ass'y.		91	05118		Sprocket Shaft Ass'y.	
46	732-0383		Extension Spring .75 O.D. x 4.2" Lg.		92	05725		Spiral Housing Ass'y.	
47	756-0217		Fl.-Idler with Flanges		94	05737		Spiral Axle Ass'y.	
48	712-0116		Hex Jam L.-Nut 3/8-24 Thd.		95	741-0217		Sleeve Bearing	
49	736-0119		L.-Wash. 5/16" I.D.*		96	736-0247		Flat Washer	
					97	750-0252		Idler Spacer	

191-967A 19967-1



EXPLODED VIEW

191-967A 19967-1

PARTS LIST FOR MODEL 191-967A and 19967-1 SNOW THROWER

REF. No.	PART No. COLOR CODE	DESCRIPTION	NEW PART
1	714-0101	Hair Pin Cotter	
2	747-0346	Guide Plate Rod	N
3	05993	Guide Plate	N
4	736-0169	L.-Wash. 3/8" I.D.*	
5	712-0241	Hex L.-Nut 3/8-24 THD.*	
6	05902	Front Hanger Link	N
7	736-0921	L.-Wash. 1/2" I.D.*	
8	712-0206	Hex L.-Nut 1/2-13 THD.	
9	05719	Front Support Channel	
10	750-0336	Spacer	
11	710-0474	Hex Bolt 1/2-13 x 1.25" Lg.*	
12	712-0290	Hex Nut 7/16-14 THD.*	
13	736-0171	L.-Wash. 7/16" I.D.*	
14	714-0145	Hair Pin Cotter	
15	738-0163	Shoulder Bolt 7/16-14 Thd.	
16	05714	Attaching Plate	
17	710-0152	Hex Bolt 3/8-24 x 1.00" Lg.*	
18	710-0118	Hex Bolt 5/16-18 x .75" Lg.*	
19	05718	Rear Support Angle-R.H.	
20	710-0314	Hex Bolt 7/16-20 x 1.00" Lg.*	
21	05901	Rear Hanger Bracket	N
22	736-0171	L.Wash. 7/16" I.D.*	
23	712-0240	Hex Nut 7/16-20 Thd.*	
24	05717	Rear Support Angle-L.H.	
25	1545-027	Clevis Pin	
26	712-0267	Hex Nut 5/16-18 THD.*	
27	736-0119	L.Wash. 5/16" I.D.*	
28	05900	R.H. Drive Mounting Brkt.	N
29	754-0238	"V"-Belt 1/2" x 92" Lg. (Kevlar)	
30	712-0242	Hex Jam L.-Nut 5/8-11 THD.	
31	756-0357	Pulley 1/2" x 4.75" Dia.	
32	714-0126	#9 Hi-Pro Key	
33	710-0376	Hex Bolt 5/16-18 x 1.00" Lg.*	
34	-----	Right Angle Drive (See breakdown on page 22)	
35	714-0117	Internal Cotter Pin	
36	711-0577	Clevis Pin .62" Dia. x 3.06" Lg.	

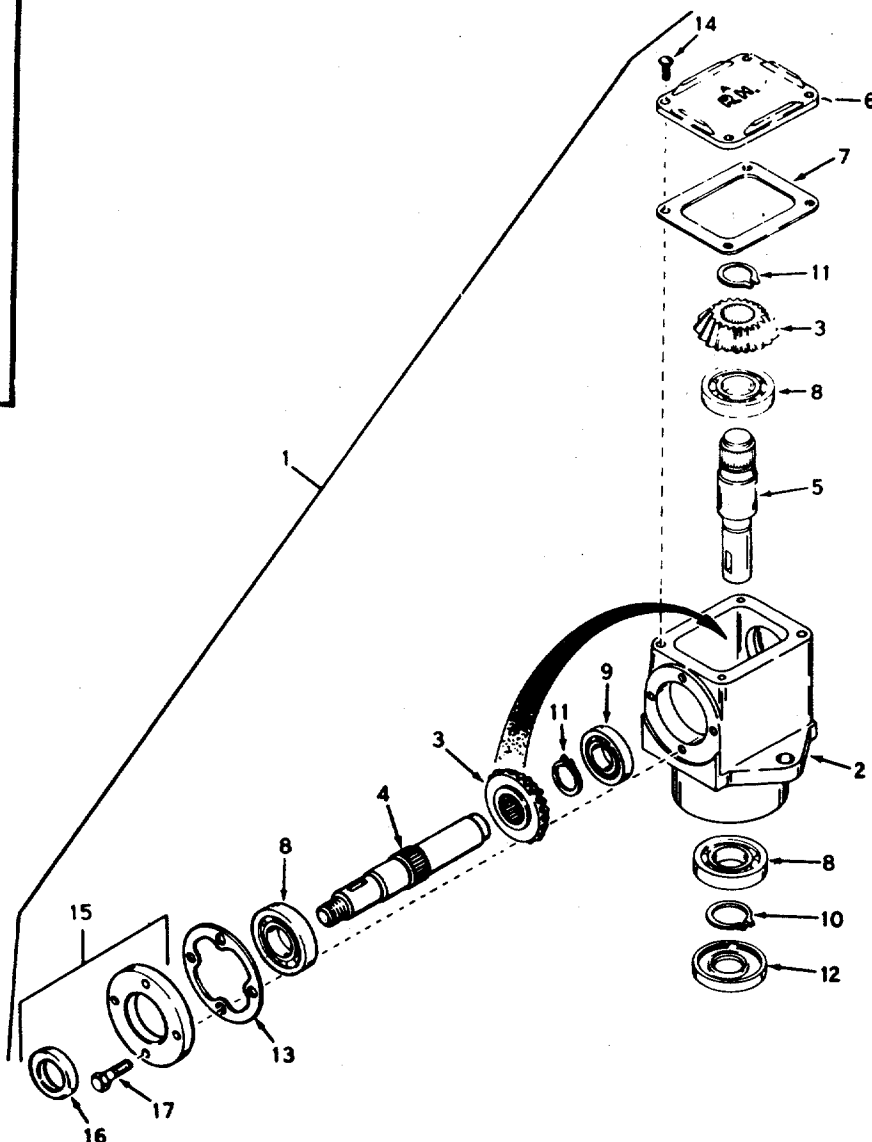
*For faster service obtain standard nuts, bolts and washers locally. If these items cannot be obtained locally, order by part number and size as shown on parts list.

NOTE: This unit is not under warranty by the mower manufacturer. All Part Orders and Service must be handled through the Local Authorized Tecumseh Service Dealer.



This unit is under warranty by Tecumseh Products Company. Parts and Service are available through all Tecumseh, Lauson Power Products Service Dealers. Check the "Yellow Pages" of your telephone directory under "Engines—Gasoline."

RIGHT ANGLE DRIVE BOX (PEERLESS2604-P91)



PARTS LIST FOR RIGHT ANGLE DRIVE BOX (PEERLESS 2604-P91)

REF. NO.	PART NO.	DESCRIPTION
1	PE-794111	Head Ass'y. R.H. (Incl. Nos. 2 thru 15)
2	PE-770026	Housing, Right Angle Drive
3	PE-778046	Gear, Miter
4	PE-776149	Shaft, Input
5	PE-776129	Shaft, Output
6	PE-772034	Cover, Right Hand
7	PE-788028	Gasket, Cover
8	PE-780034	Bearing, Ball
9	PE-780024	Bearing, Ball
10	PE-788019	Ring, Snap
11	PE-788018	Ring, Snap
12	PE-788029	Seal, Oil
13	PE-788030	Gasket, Cap
14	PE-792025	Screw, Rd. Hd. Self Tap., 10-24 x 1/2
15	PE-786029	Cap & Seal Ass'y., Retainer (Incl. Nos. 16 & 17)
16	PE-788031	Seal, Oil
17	PE-792026	Screw, Hex Hd. 1/4-20 x 7/8

MTD PRODUCTS INC **YARD-MAN COMPANY**

5965 GRAFTON ROAD • P.O. BOX 36900 • CLEVELAND OHIO 44136