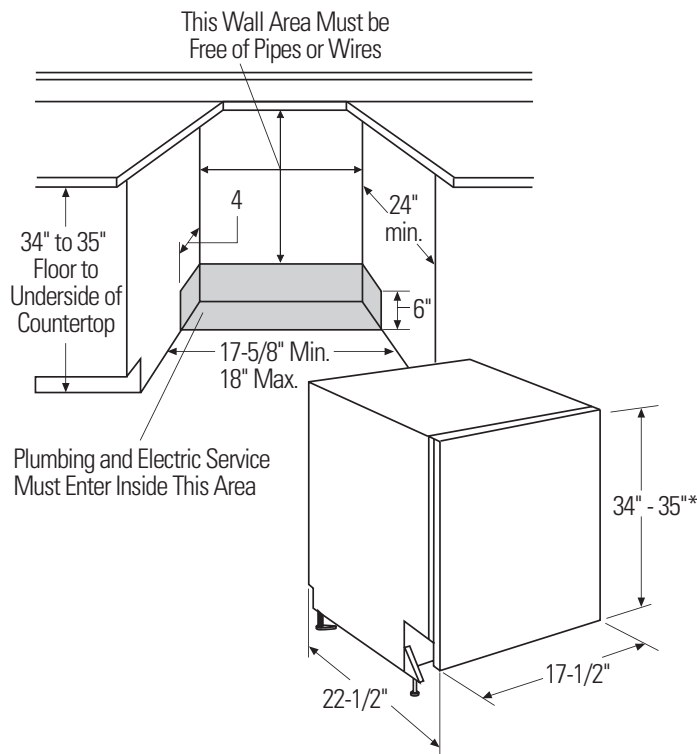




Monogram®

ZBD1800GSS – GE Monogram™ 18" Dishwasher

Dimensions and Specifications (in inches)



ADA-Compliant ZBD1800GSS: Installation below 34"-high countertops

A reduced-height installation (32-1/2" min.) beneath a 34" countertop can be accomplished by removing the front leveling legs. The rear legs should be screwed in flush with the bottom support, as shipped. The front of the dishwasher must be shimmed to level it. Water and electrical must be routed through the back wall.

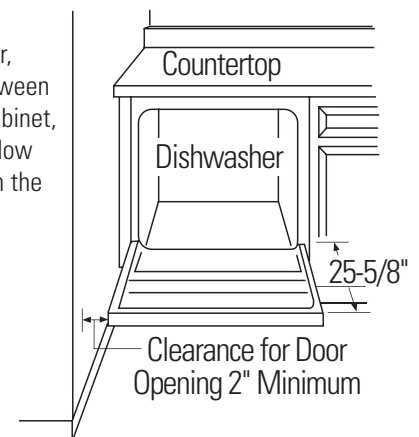
Electrical Requirements

The dishwasher must be supplied with 120V, 60Hz, and connected to an individual properly grounded branch circuit protected by a 15- or 20-amp circuit breaker or time-delay fuse.

- The dishwasher must be installed so that the drain hose is no more than 10 feet in length for proper drainage.
- The dishwasher must be fully enclosed on the top, sides and back, and must not support any part of the enclosure.

CLEARANCES:

When installed into a corner, allow 2" min. clearance between dishwasher and adjacent cabinet, wall or other appliances. Allow 25-5/8" min. clearance from the front of the dishwasher for door opening.



Installation Information:

Before installing, consult installation instructions packed with product, or available at Monogram.com, for current dimensional data.

Specification Created 3/04

150047



Listed by
Underwriters
Laboratories



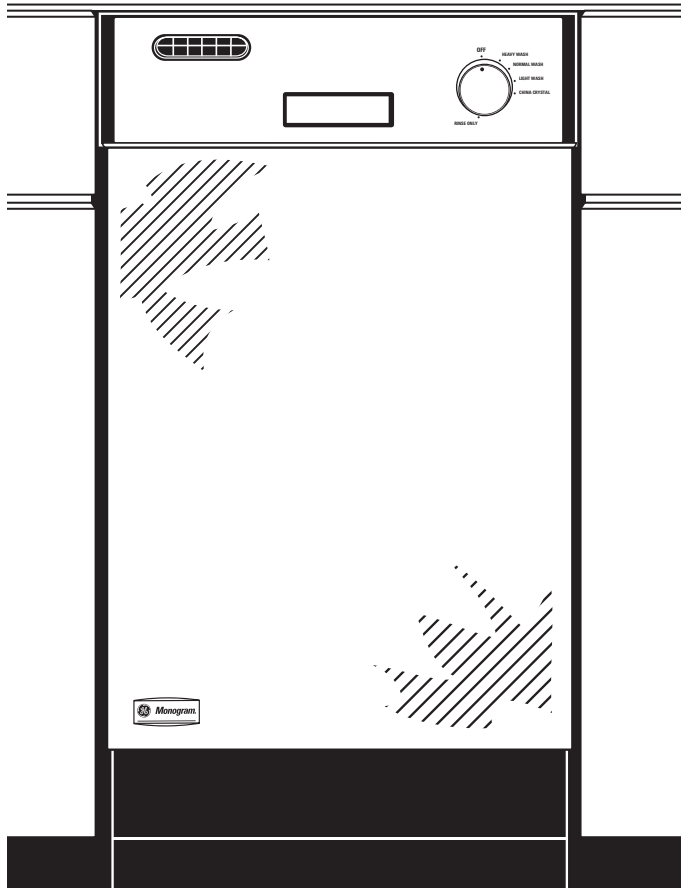
As an ENERGY STAR® partner, GE has determined that this product meets the ENERGY STAR guidelines for energy efficiency.

For answers to your Monogram®, GE Profile™ or GE® appliance questions, visit our website at GEAppliances.com or call GE Answer Center® service, 800.626.2000.



Monogram®

ZBD1800GSS – GE Monogram™ 18" Dishwasher



Features and Benefits

- ADA-compliant – The compact configuration can be installed at a height that allows easy access
- Easy to use controls – The mechanical dial turns easily to the desired wash cycle; heavy, normal, light, china/crystal and rinse
- Dual-motor, dual-arm wash system – Two motors and wash arms provide effective, yet quiet cleaning power
- Adjustable, dual-level racks – Rilsan™ nylon-coated racks enhance space and loading flexibility
- Model ZBD1800GSS – Stainless steel



As an ENERGY STAR® partner, GE has determined that this product meets the ENERGY STAR guidelines for energy efficiency.

Specification Created 3/04

150047