

# Installation Instructions

## Tube and Latch Kit

Part No. 1687262

For 38" Regent Series Twin Catchers

Kit Contents:				Ref.	Part No.	Qty.	Description	Ref.	Part No.	Qty.	Description
Ref.	Part No.	Qty.	Description	10	1919326	1	Lockwasher, 5/16	14	1960686	6	Nut, Nyloc, 5/16-18
1	1732735A	1	Seal Plate	11	1731420	1	Label, ID, 1695163	15	1733432A	1	Brace
2	1732799	1	Seal	12	1931338	5	Carriage Bolts, 5/16-18 x 1-3/4	16	1930591	1	Capscrew, 5-16 x 3/4
3	1960404	6	Screw, Phillips, #10-24 x 3/4	13	1720452	2	Saddle Clamp	17	1733416A	1	Latch
4	1933896	6	Nut, Nylock, #10-24								
5	1703769	1	Tube								
6	1704603	1	Latch, Tube								
7	1960185	1	Washer, Flat								
8	1935048	1	Nut, 5/16-18								
9	1960122	1	Capscrew, 5/16-18 x 3/4								

Figure 1. Contents

This kit is for updating a 1694916 Twin Catcher to a 1695163 Twin Catcher.

### WARNING

Before beginning any service work turn off the PTO, set the parking brake, turn off the ignition, and disconnect the spark plug wire(s).

Note: Use these Instructions to supplement portions of the Operator's Manual for Twin Catcher 1694916. Keep these Instructions for future reference.

### INSTALLATION

1. Apply new ID Label (A, Figure 2) directly over existing product ID Label on channel assembly (B).

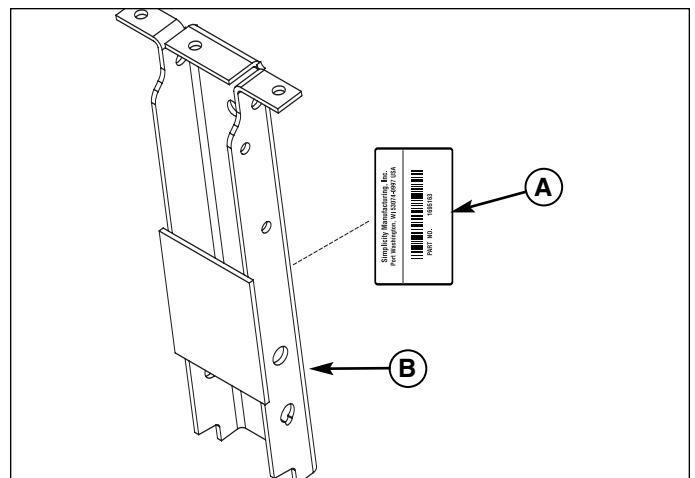
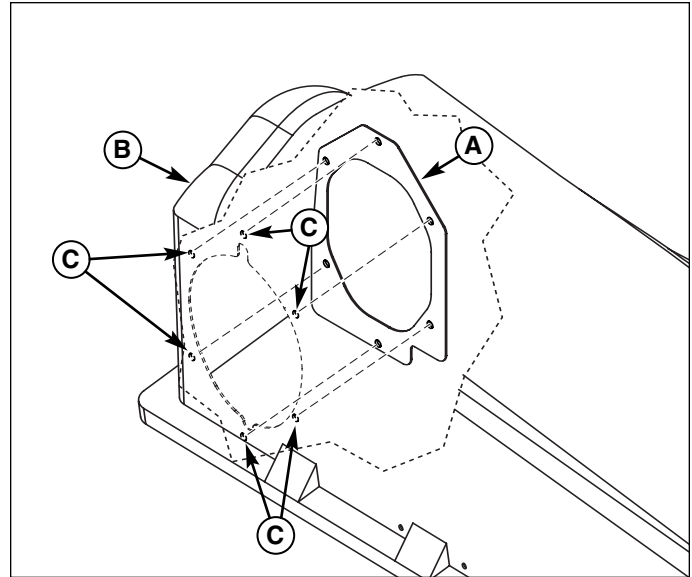


Figure 2. Apply New ID Label

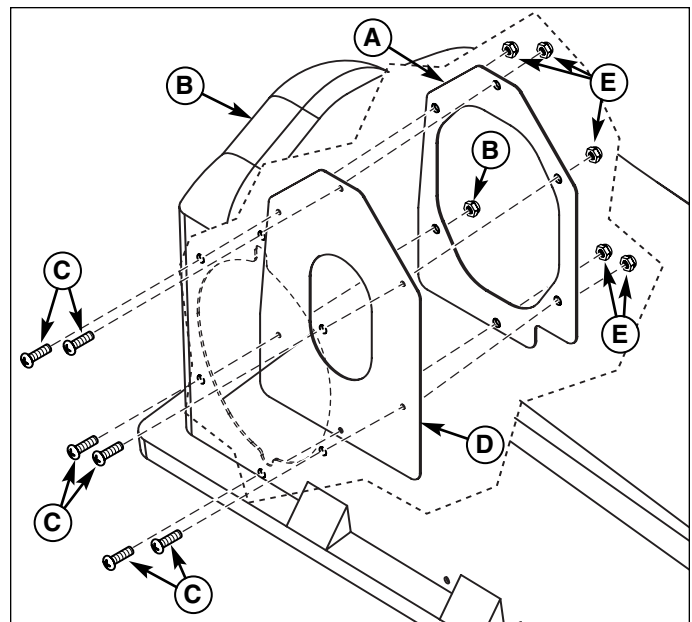
A. ID Label, 1695163, (New)

B. Channel Assembly

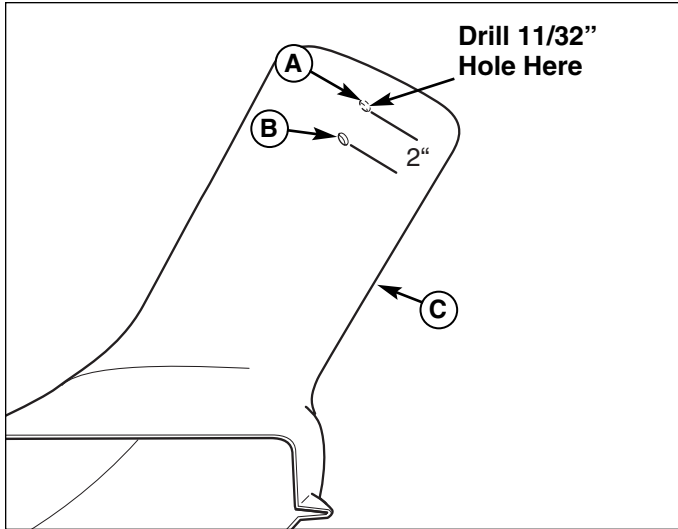
2. From the inside of grass catcher (B, Figure 3) cover use cover plate (A) as a template to drill six 13/64" holes (C) on grass catcher cover (B) as shown.
3. Inside grass catcher cover (B, Figure 4) place the seal (D), and cover plate (A). Secure using #10-24 x 3/4 screws (C), and #10-24 locknuts (D).



**Figure 3. Drill Adapter Plate Holes**  
**A. Cover Plate**  
**B. Grass Catcher Cover**  
**C. New 13/64" Hole Locations**

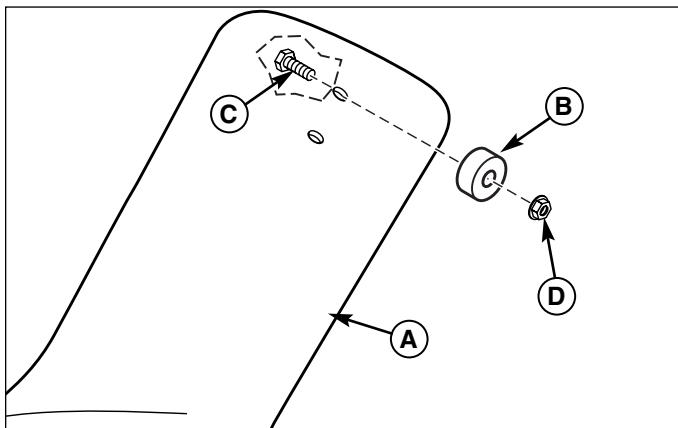


**Figure 4. Install Seal and Cover Plate**  
**A. Cover Plate**  
**B. Grass Catcher Cover**  
**C. Screw, Phillips, #10-24 x 3/4**  
**D. Seal, Rubber**  
**E. Locknuts, ESNA, #10-24**



**Figure 5. Drill Hole In Boot**

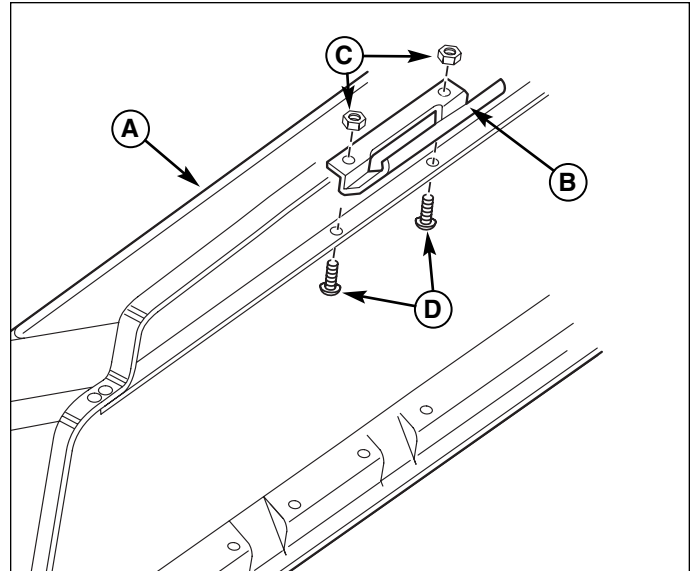
- A. New 11/32" Hole**
- B. Existing Hole**
- C. Boot**



**Figure 6. Install Puck to Boot**

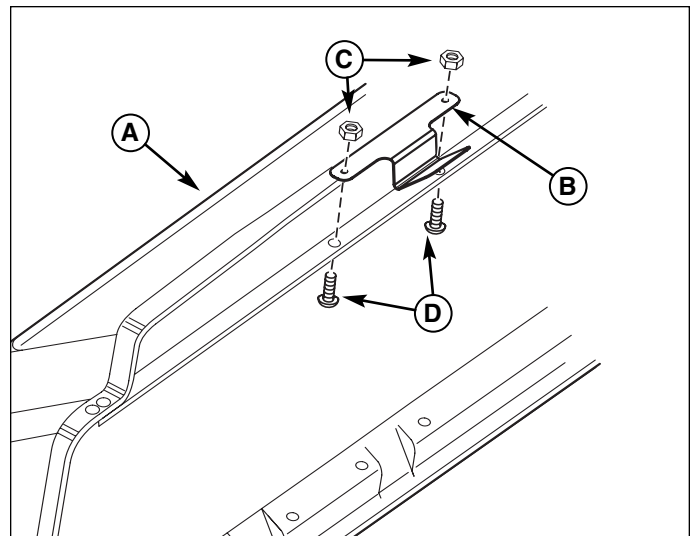
- A. Boot**
- B. Puck, Metal**
- C. Capscrew, Thin Head, 5/16-18 x 3/4**
- D. Locknuts 5/16-18**

4. Drill a new 11/32 hole (A, Figure 5) 2" from the existing hole (B) in boot (C) as shown.
5. Secure the puck (B, Figure 6) to boot (A) using 5/16-18 x 3/4 capscrew (C) and 5/16-18 locknut (D).
6. Remove and discard the latch (B, Figure 7) from the cover assembly (A). Remove and retain #10-24 x 5/8 screws (D) and #10-24 locknuts (C).
7. Install the new latch (B, Figure 8) to the cover assembly (A) securing with Existing #10-24 x 5/8 screws (D) and #10-24 locknuts (C) as shown.



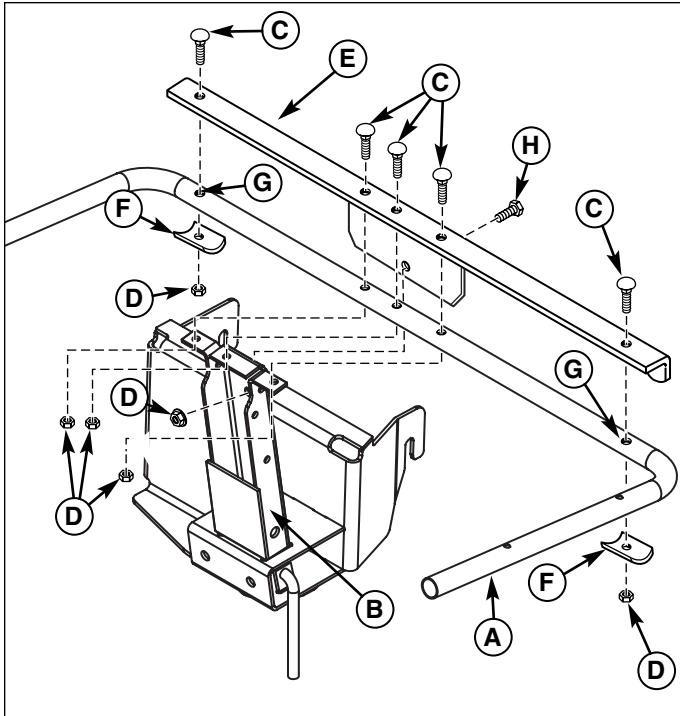
**Figure 7. Remove Latch**

- A. Cover Assembly**
- B. Latch**
- C. Locknuts, Nylock, #10-24**
- D. Screws, #10-24 x 5/8**



**Figure 8. Install Latch**

- A. Cover Assembly**
- B. Latch (New)**
- C. Locknuts, ESNA, #10-24 (Existing)**
- D. Screws, #10-24 x 5/8 (Existing)**



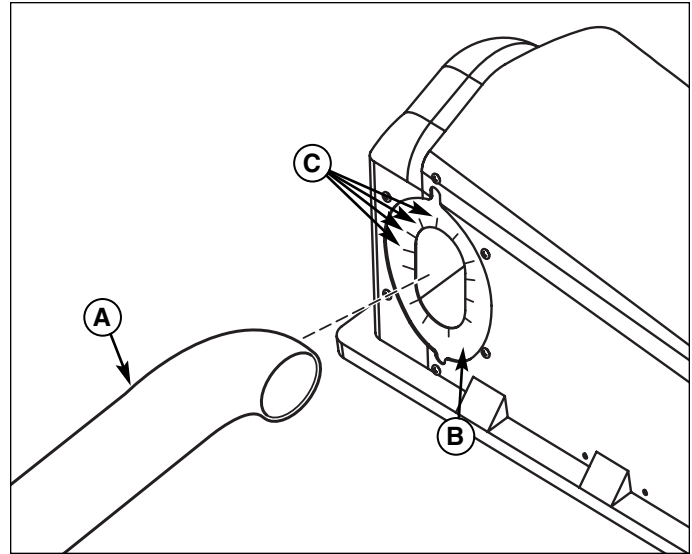
**Figure 9. Install "U" Tube**

- A. "U" Tube
- B. Channel Assembly
- C. Carriage Bolts, 5/16-18 X 1-3/4
- D. Nuts, Nyloc, 5/16-18
- E. "L" Channel
- F. Saddle Brackets
- G. New 11/32 Holes
- H. Capscrew, 5/16-18 x 3/4

8. Install the "U" tube (A, Figure 9) and "L" channel (F) to channel assembly (B) securing with 5/16-18 x 3/4 carriage bolts (C) and 5/16-24 nuts (E).
9. Using the "L" channel as a guide drill two 11/32 holes (G) in "U" tube (A) as shown. Install 5/16-18 x 1-3/4 carriage bolts (C) through new holes (G) and secure with saddle clamps (F) and 5/16-18 locknuts (D) and 5/16-18 nuts (E).
10. Install 5/16-18 x 3/4 capscrew (H) and 5/16-18 locknut (D) as shown.

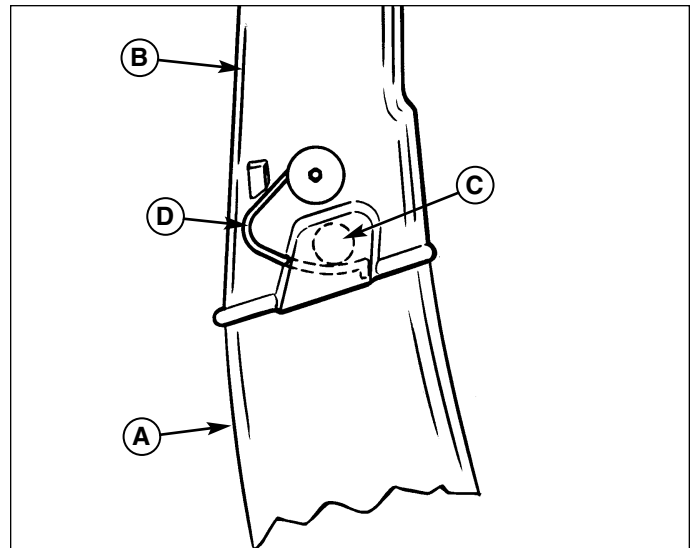
## Connect Tube to Cover and Boot

1. Slide discharge tube (A, Figure 10) into seal (B). It may be necessary to lengthen several slits (C) in order for tube (A) to fit into seal (B)
2. Install boot according to Operator's Manual.



**Figure 10. Install Tube in Cover**

- A. Tube
- B. Seal
- C. Slits



**Figure 11. Install Discharge Tube to Boot**

- A. Boot
  - B. Discharge Tube
  - C. Metal Puck
  - D. Wire Form
3. Attach the discharge tube (B, Figure 11) to boot (A) and secure the tube by moving wire form (D) down over metal puck (C).
  4. Reverse connection to remove discharge tube.

