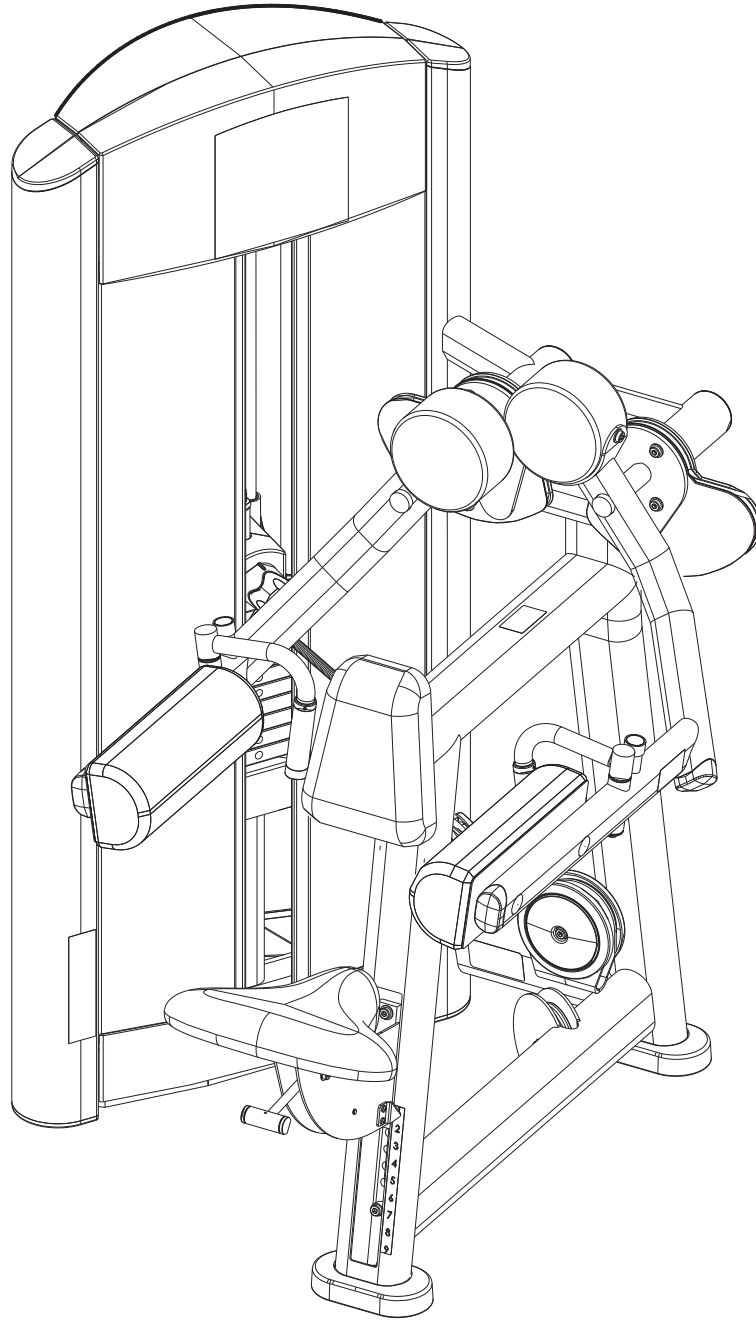




SIGNATURE SERIES
FZLR LAT RAISE

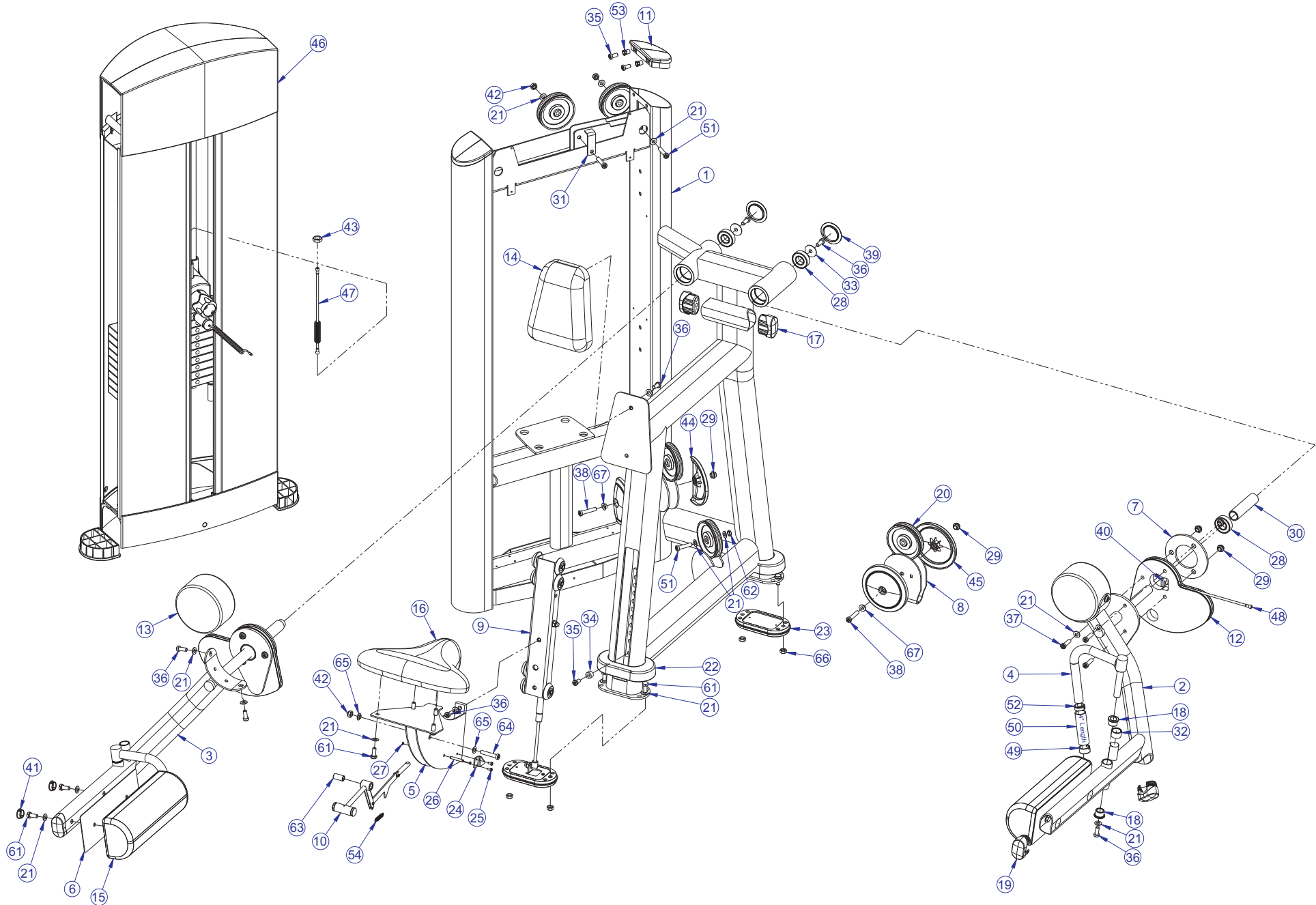


Customer Support Services
PARTS MANUAL

FZLR LAT RAISE CONTENTS

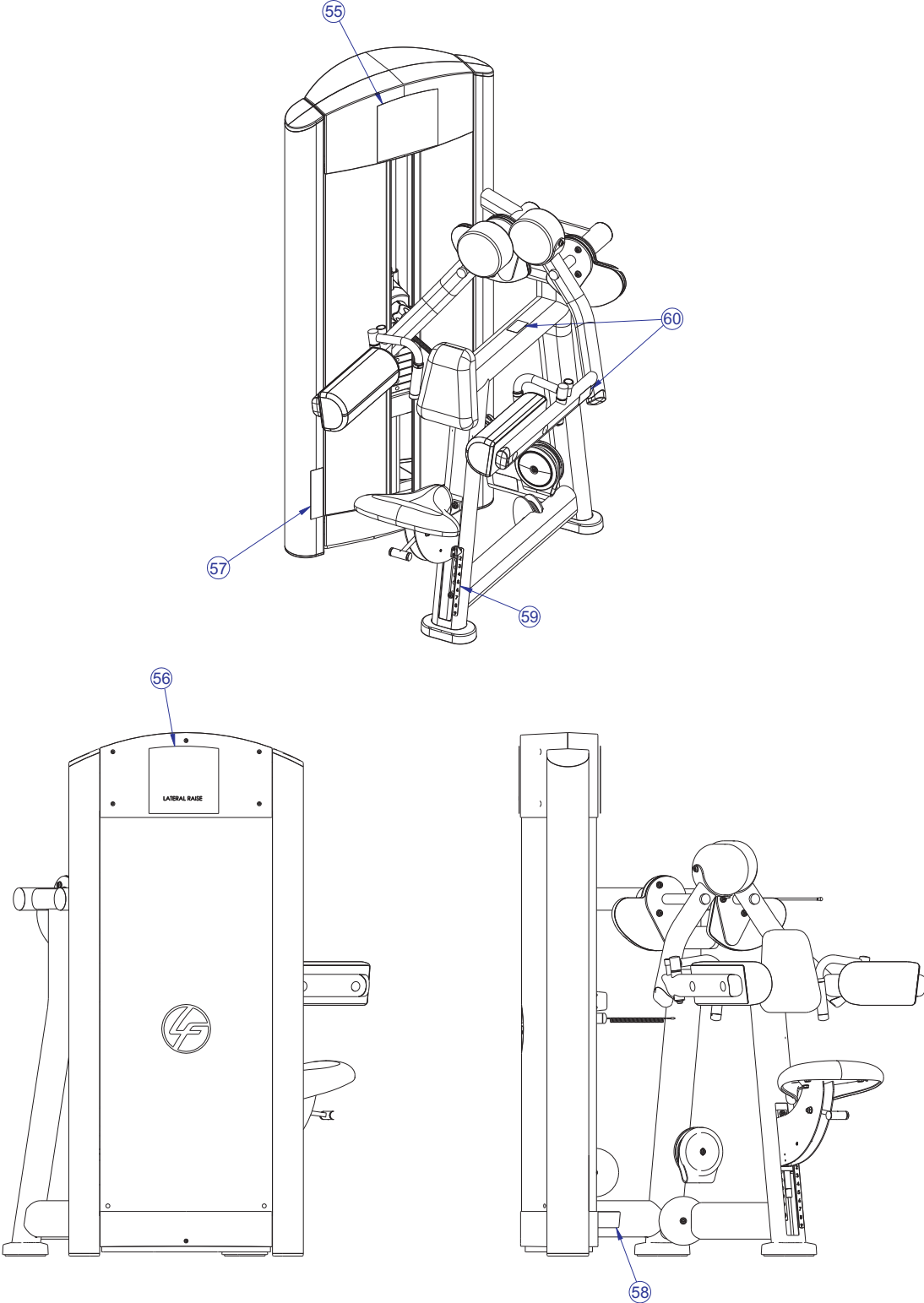
	PAGE
COMPONENT ASSEMBLY	3
COMPONENT ASSEMBLY II	4
COMPONENT ASSEMBLY LEGEND	5
FZ SEAT CARRIAGE ASSEMBLY	6
FZ SEAT CARRIAGE ASSEMBLY LEGEND	7
FZ ADJUSTER HANDLE ASSEMBLY	8
MID-9 SHORT TOWER ASSEMBLY	9
PLASTIC TOWER ASSEMBLY	10
MID-9 SHORT WEIGHT STACK ASSEMBLY	11
5 LB. INCREMENT WEIGHT ASSEMBLY	12
10 LB. INCREMENT WEIGHT ASSEMBLY	13
15 LB. INCREMENT WEIGHT ASSEMBLY	14
HEAD PLATE ASSEMBLY	15
HEAD PLATE ASSEMBLY LEGEND	16
IMAGE	17

FZLR LAT RAISE COMPONENT ASSEMBLY



SEE PAGE 5 FOR LEGEND

FZLR LAT RAISE COMPONENT ASSEMBLY II

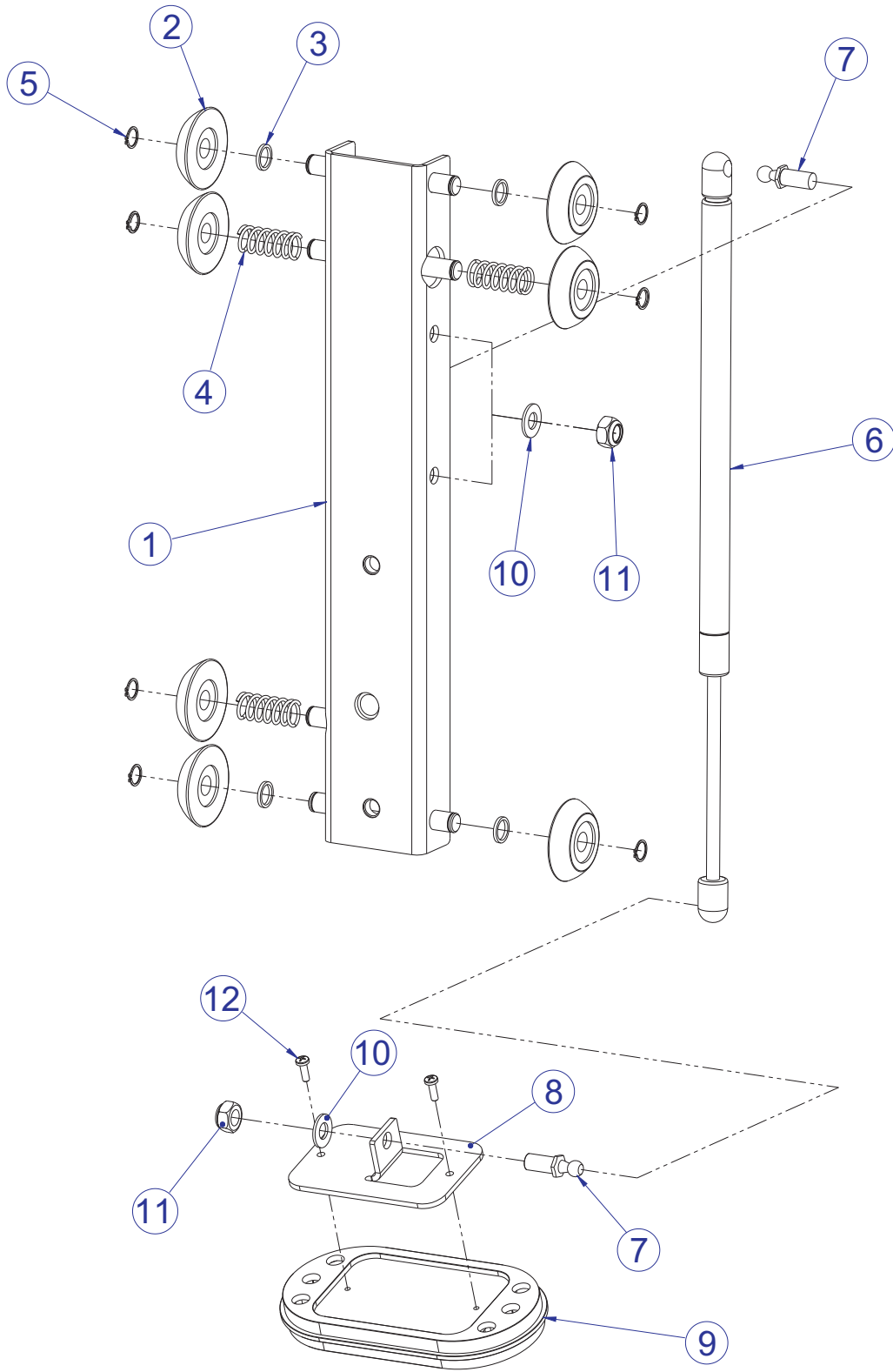


SEE PAGE 5 FOR LEGEND

FZLR LAT RAISE COMPONENT ASSEMBLY LEGEND

ITEM NO.	QTY.	PART NO.	DESCRIPTION
1	1	7606801	WLDMT, FZLR, FRAME
2	1	7607801	WLDMT, FZLR, PIVOT ARM RIGHT
3	1	7608401	WLDMT, FZLR, PIVOT ARM LEFT
4	2	7608601	WLDMT, FZLR, HANDLE
5	1	7384701	WLDMT, FZ, SEAT SUPPORT
6	2	7608901	PLATE, FZLR, ARM PAD
7	2	7609001	PLATE, FZLR, CAM COVER
8	1	7617101	BRKT, PULLEY, CABLE SLOT
9	1	7911101	ASSY, SEAT CARRIAGE
10	1	7778001	ASSY, FZ ADJUSTER HANDLE
11	2	7326201	CAP, D-TUBE - TOP
12	2	7609101	CAM, FZLR
13	2	7802001	COUNTER WEIGHT, LARGE - COATED
14	1	76245XX	PAD, CHEST 10 X 7-5/8, NO BACKER
15	2	76246XX	PAD, FOREARM, NO BACKER
16	1	72971XX	PAD, SEAT SADDLE
17	2	7317901	STOP, BUMPER
18	4	3104901	.75" ID 1.00" OD BRONZE BUSHING
19	4	7333801	CAP, SMALL FLOV- END
20	5	3237801	PULLEY, 4.5" OD
21	33	3236601	WASHER, 3/8 SAE SS
22	2	7419701	COVER, FOOT 10 DEG
23	1	7334001	FOOT, 2.50 X 4.49 FLOV
24	1	7425295	BRKT, SEAT INDICATOR
25	2	3239101	SCREW, M5X10 PHL PAN TT ST
26	1	7407502	PIN, LINK
27	2	3232401	RING, RETAINING, EXTERNAL
28	4	3235601	BEARING, 6205 BALL
29	8	7335401	NUT, M10 X 1.5 SOCKET HEAD
30	2	7330004	SPACER, INTERNAL X 4.765
31	1	6757701	CLIP, CABLE 2-7/8 X 1 X 1
32	2	7690101	BUMPER, SLEEVE - 1 INCH DIA
33	2	3236701	WASHER, FENDER 3/8" ID X 1.5" OD SS
34	1	7385203	SPACER, .406 X .750 X .500
35	5	3236201	SCREW, M10 X1.5 20MM
36	12	3236202	SCREW, M10 X1.5 25MM
37	6	3236204	SCREW, M10 X1.5 35MM
38	2	3236207	SCREW, M10 X1.5 50MM
39	2	7308701	CAP, BEARING HOUSING
40	2	7342201	PLATE, CABLE END
41	4	3237403	PLUG, 1" HOLE
42	3	3236801	NUT, M10 HEX NYLOCK SS
43	1	3236902	NUT, M16 X 2 HEX JAM SS
44	2	8094101	COVER, PULLEY-BOLTED PARTIAL
45	2	8104501	COVER, PULLEY-BOLTED NOTCHED
46	1	7625901	ASSY, MID TOWER-9, SHORT
47	1	7423717	CABLE, FZLR-1 111-1/2
48	1	7423806	CABLE, FZLR-2 82-3/8
49	2	7662900	CAP, GRIP
50	2	3235801	GRIP, 1.25" OD X 4" FZLE, FZSLC, FZCE
51	3	3236206	SCREW, M10 X1.5 45MM
52	2	7662801	RING, GRIP 1.25 OD
53	4	3238601	M10X1.5 THREADED INSERT (HEX)
54	1	3239201	SPRING, EXT, .375 X .049 X 2.00
55	1	7510101	LABEL, FZLR PLACARD
56	1	7510201	LABEL, FZAB PLACARD
57	1	7422004	LABEL, 2" ASTM WARN
58	1	7571301	LABEL, SERIAL NUMBER
59	1	7524501	LABEL, 1-9 STRAIGHT
60	2	7422003	LABEL, MOVING PARTS
61	12	3251202	SCREW, M10 X1.5 X 25MM HEX ST ZN
62	1	3236901	NUT, M10 X 1.5 JAM
63	1	7776501	SHAFT, .625 X .406 X 1.200
64	1	3236208	SCREW, M10 X1.5 55MM
65	2	7776401	SPACER, FLANGE .406 X .495 X .81
66	4	3254703	NUT, M10 X 1.5 HEX ZINC
67	2	7630101	RETAINER, CM/MJ, PULLEY

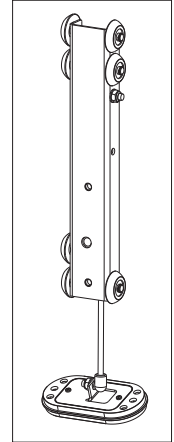
FZLR LAT RAISE FZ SEAT CARRIAGE ASSEMBLY - 7911101



SEE PAGE 7 FOR LEGEND

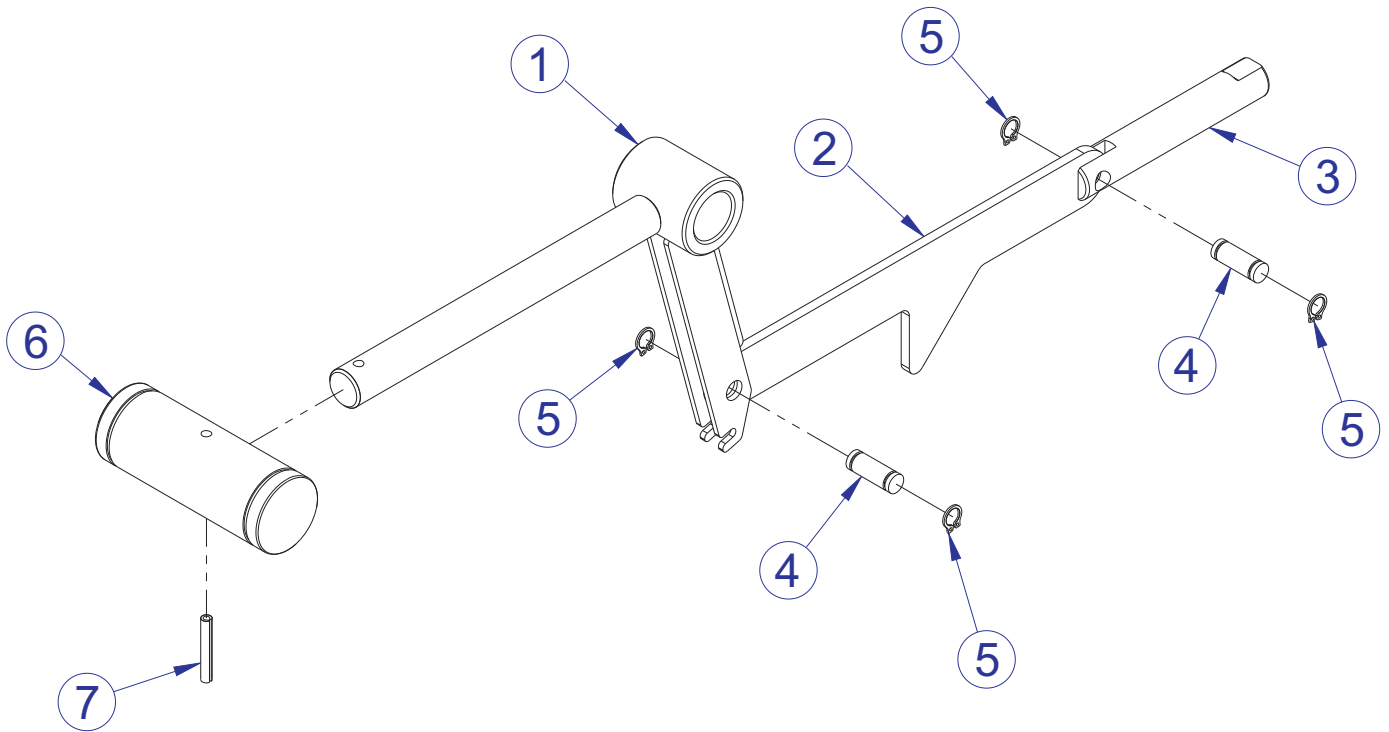
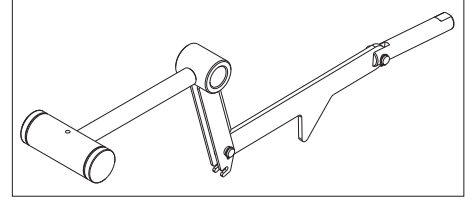
FZLR LAT RAISE

FZ SEAT CARRIAGE ASSEMBLY LEGEND



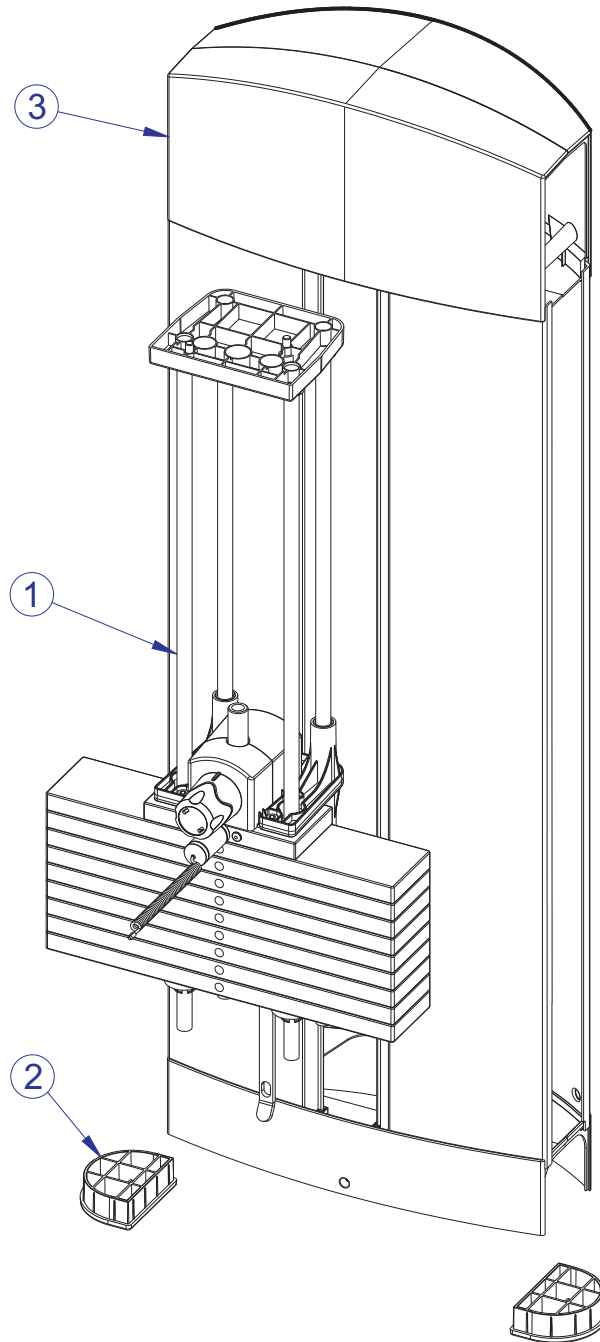
ITEM NO.	QTY.	PART NO.	DESCRIPTION
1	1	7911295	WLDMT, SEAT CARRIAGE SHDW GRAY
2	7	7889701	ROLLER, SEAT CARRIAGE
3	4	7911901	SPACER, .625 DIA X 16 GA.
4	3	7912001	SPRING, SEAT CARRIAGE
5	7	3232408	RING, BRE .443, 5100-46, ST,PP,B
6	1	3235700	SPRING, GAS 80N
7	2	7414301	STUD, M10 BALL END M10 X 1.5
8	1	7339401	BRACKET, GAS SPRING
9	1	7334001	FOOT, 2.50 X 4.49 FLOV
10	2	3236601	WASHER, 3/8 SAE SS
11	2	3236801	NUT, M10 HEX NYLOCK SS
12	2	3241201	M4 PHL PAN F ST ZN

FZLR LAT RAISE FZ ADJUSTER HANDLE ASSEMBLY - 7778001



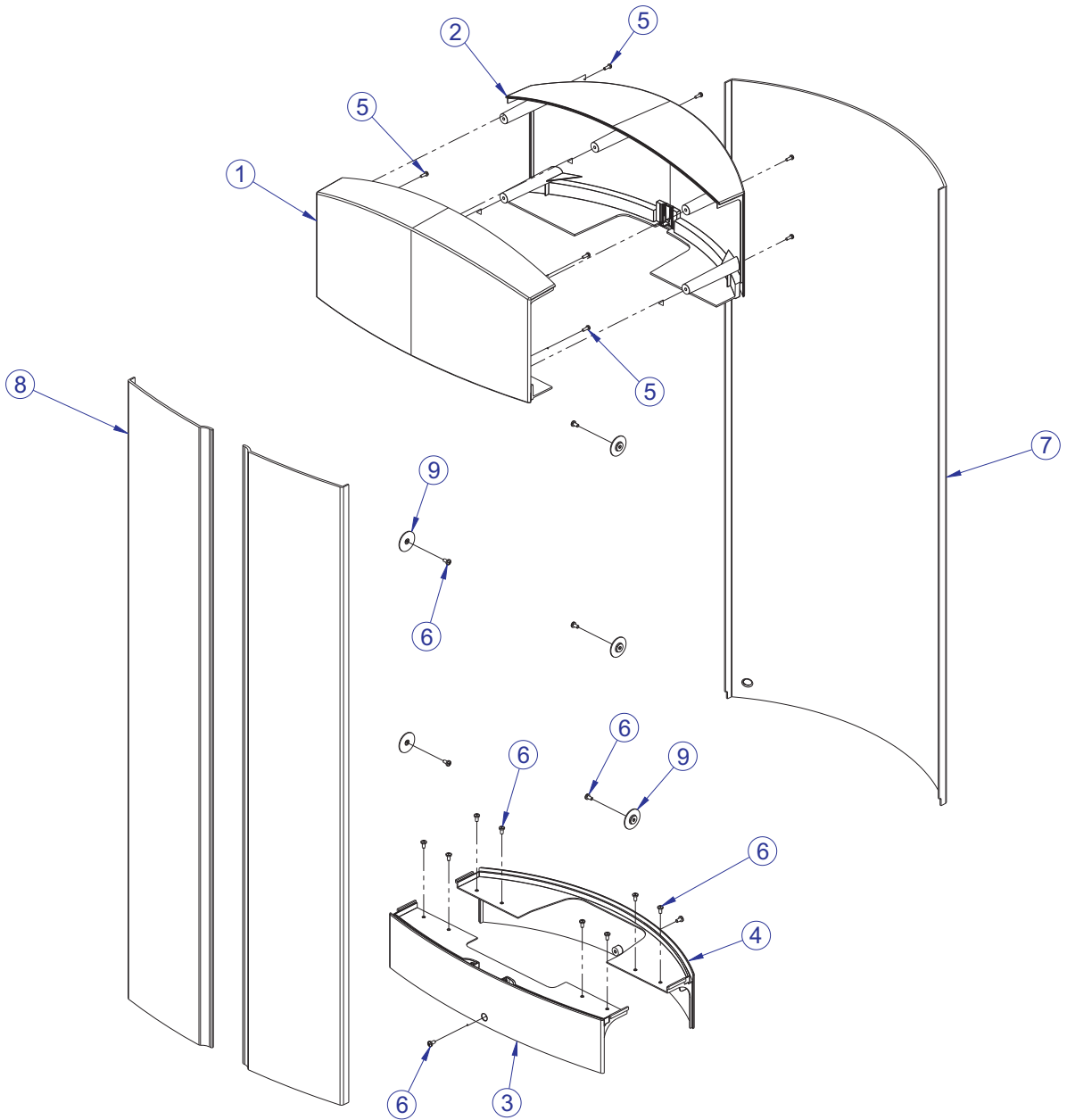
ITEM NO.	QTY.	PART NO.	DESCRIPTION
1	1	7777595	WLDMT, FZ SEAT ADJ HANDLE SHADOW GRAY
2	1	7331801	LINK, ADJUSTER
3	1	7331601	PIN, INDEX
4	2	7407501	PIN, LINK
5	4	3232401	RING, RETAINING, EXTERNAL
6	1	7287901	HANDLE, ADJUSTER
7	1	3110010	ROLL PIN, 1/8 X 7/8

FZLR LAT RAISE MID-9 SHORT TOWER ASSEMBLY - 7625901



ITEM NO.	QTY.	PART NO.	DESCRIPTION
1	1	7626001	ASSY, WEIGHT STACK MID-9, SHORT
2	2	7326301	CAP, D-TUBE - BOTTOM
3	1	7419801	ASSY, TOWER PLASTICS - MID

FZLR LAT RAISE PLASTIC TOWER ASSEMBLY - 7419801

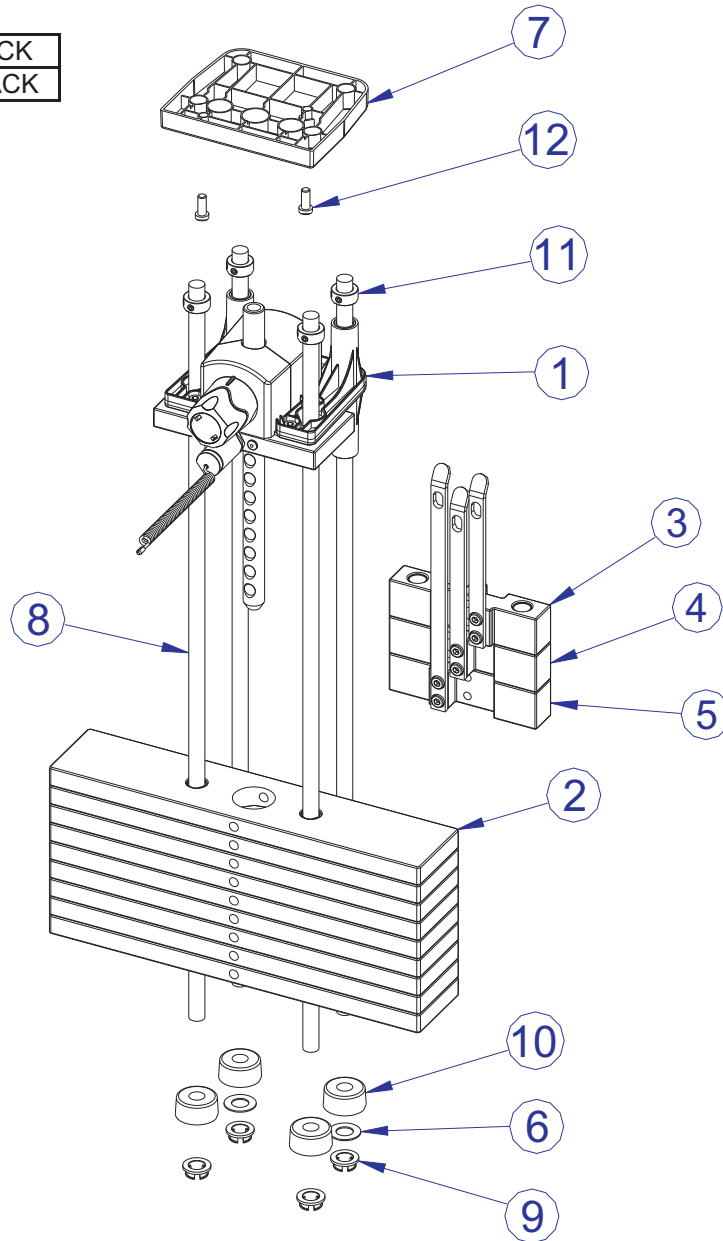


ITEM NO.	QTY.	PART NO.	DESCRIPTION
1	1	7318601	COVER, TOWER- TOP FRONT
2	1	7318701	COVER, TOWER- TOP REAR
3	1	7318801	COVER, TOWER- BOTTOM FRONT
4	1	7318901	COVER, TOWER- BOTTOM REAR
5	9	3236501	M4 X 0.7 PHL PAN MS ST ZN
6	16	3239101	SCREW, M5X10 PHL PAN TT ST
7	1	7765701	SHROUD, TOWER- REAR SHORT
8	2	7765601	SHROUD, TOWER- FRT SHORT RH
9	6	7583501	RETAINER, FZ SHROUD

FZLR LAT RAISE MID-9 SHORT WEIGHT STACK ASSEMBLY - 7626001

WEIGHT STACK LABELS

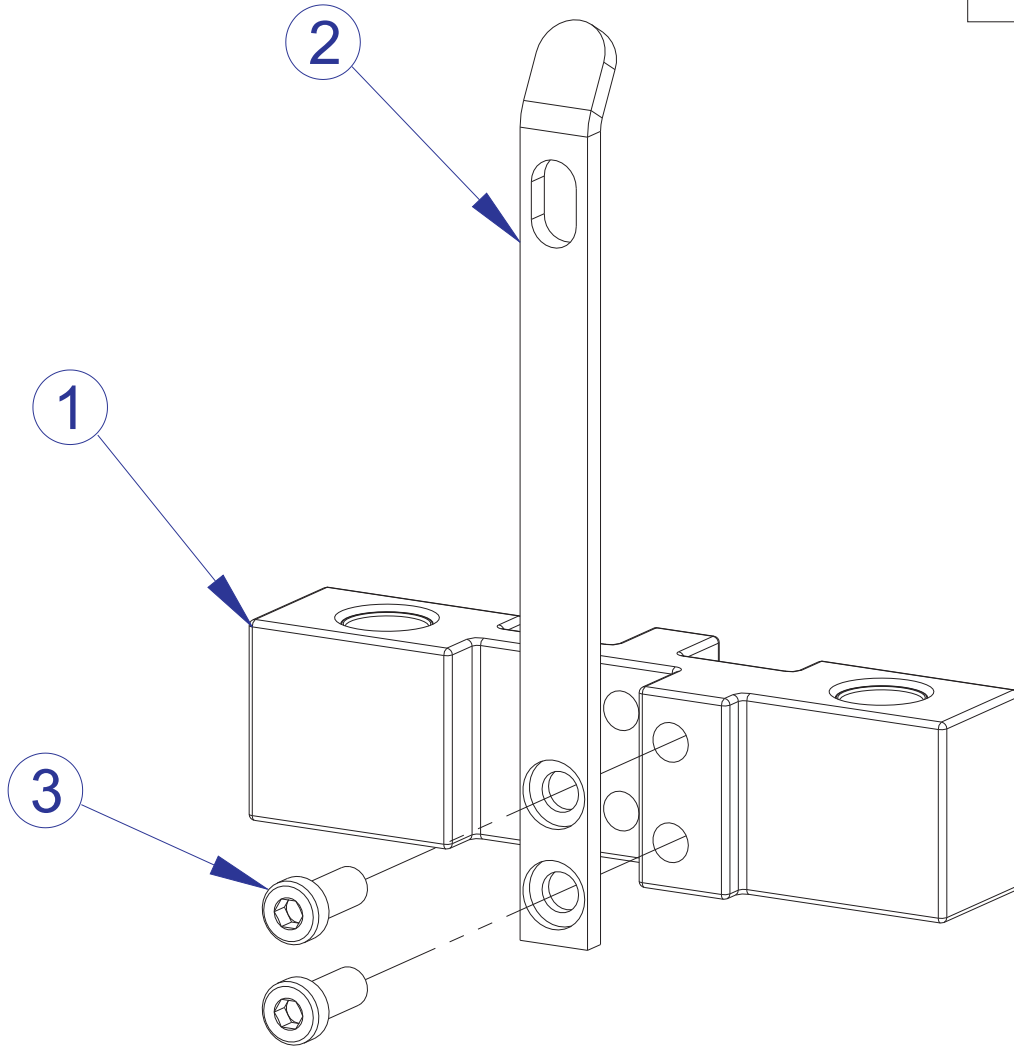
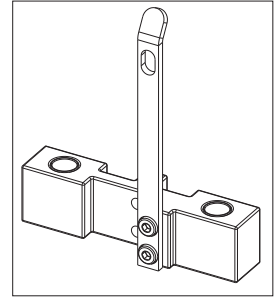
7927201	LABEL, 390 LB STACK
7927301	LABEL, 195 KG STACK



ITEM NO.	QTY.	PART NO.	DESCRIPTION
1	1	7350601	ASSY, HEAD PLATE (9)
2	9	7328401	WEIGHT PLATE, 20 LB
3	1	7327601	ASSY, INCREMENT WT - 5LB
4	1	7327701	ASSY, INCREMENT WT - 10LB
5	1	7327801	ASSY, INCREMENT WT - 15LB
6	2	7351001	SPACER, INC WT STACK
7	1	7621101	RETAINER, GUIDE ROD - TOP
8	4	7328610	GUIDE ROD, .75 OD SOLID 39.75
9	4	7337901	BUSHING, GUIDE ROD
10	4	7352101	CUSHION, WEIGHT STACK
11	4	3103301	SHAFT COLLAR, 3/4 I.D. ZINC
12	2	3236202	SCREW, M10 X1.5 25MM

FZLR LAT RAISE

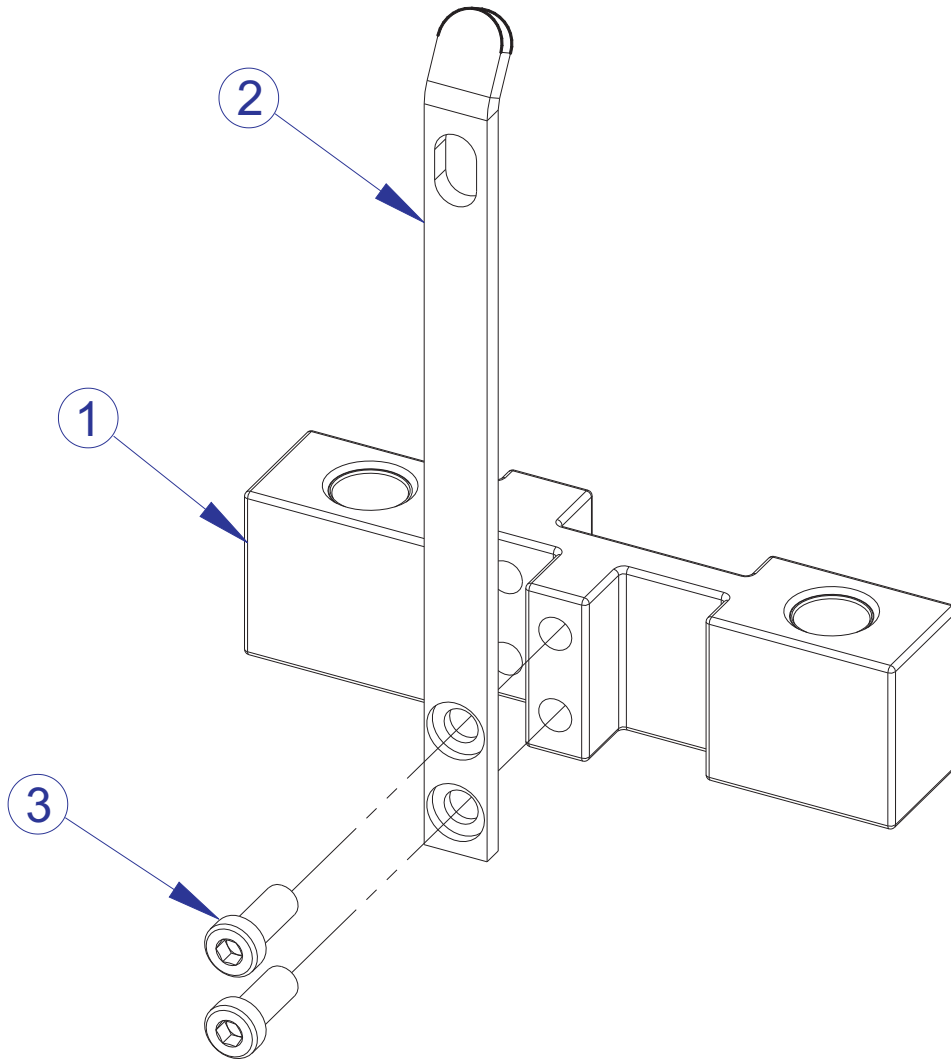
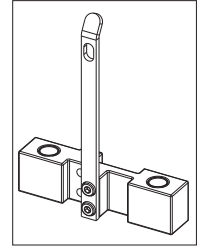
5 LB. INCREMENT WEIGHT ASSEMBLY - 7327601



ITEM NO.	QTY.	PART NO.	DESCRIPTION
1	1	7968501	ASSY, FZ INC WEIGHT 5LB
2	1	7328001	BRKT, INCREMENT WT - 5 LB
3	2	3236202	SCREW, M10 X1.5 25MM

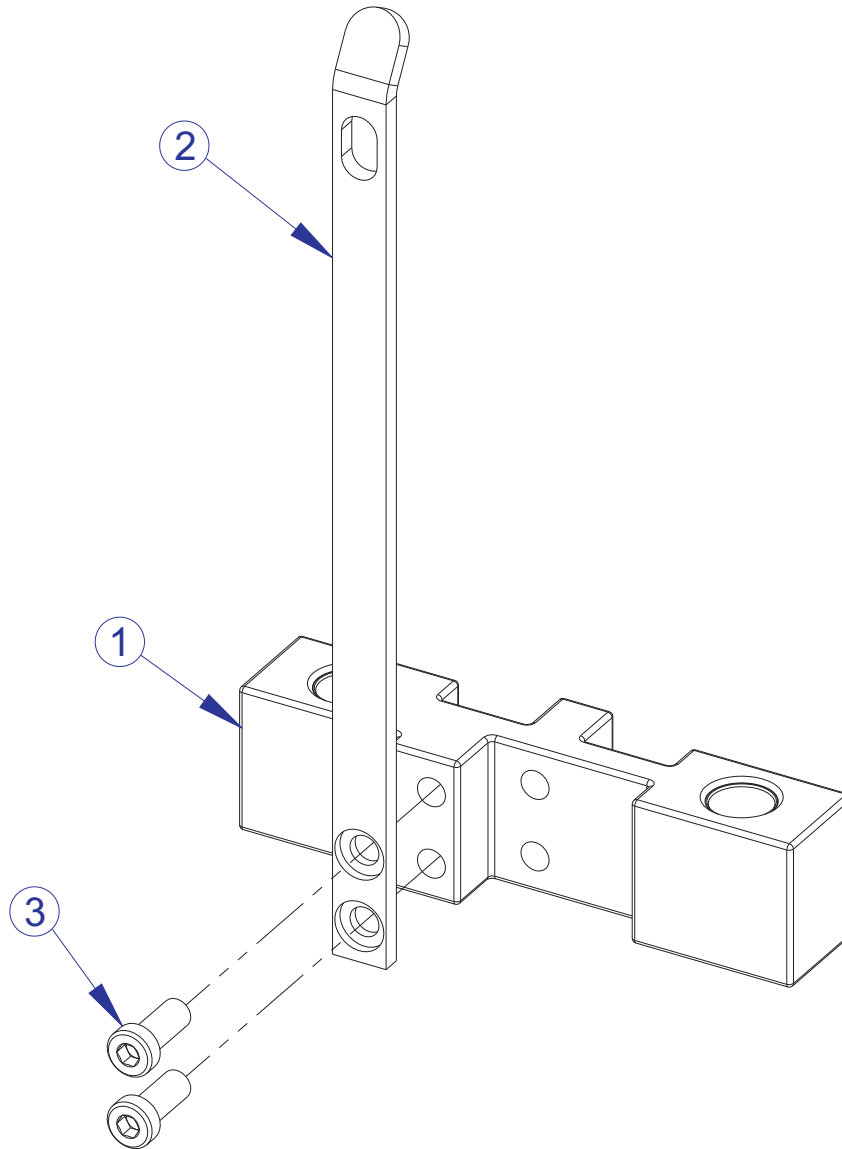
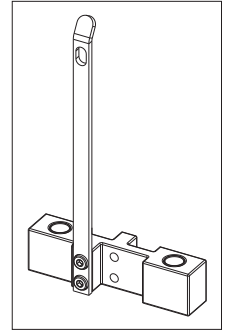
FZLR LAT RAISE

10 LB. INCREMENT WEIGHT ASSEMBLY - 7327701



ITEM NO.	QTY.	PART NO.	DESCRIPTION
1	1	7968501	ASSY, FZ INC WEIGHT 5LB
2	1	7328101	BRKT, INCREMENT WT - 10 LB
3	2	3236202	SCREW, M10 X1.5 25MM

FZLR LAT RAISE 15 LB. INCREMENT WEIGHT ASSEMBLY - 7327801

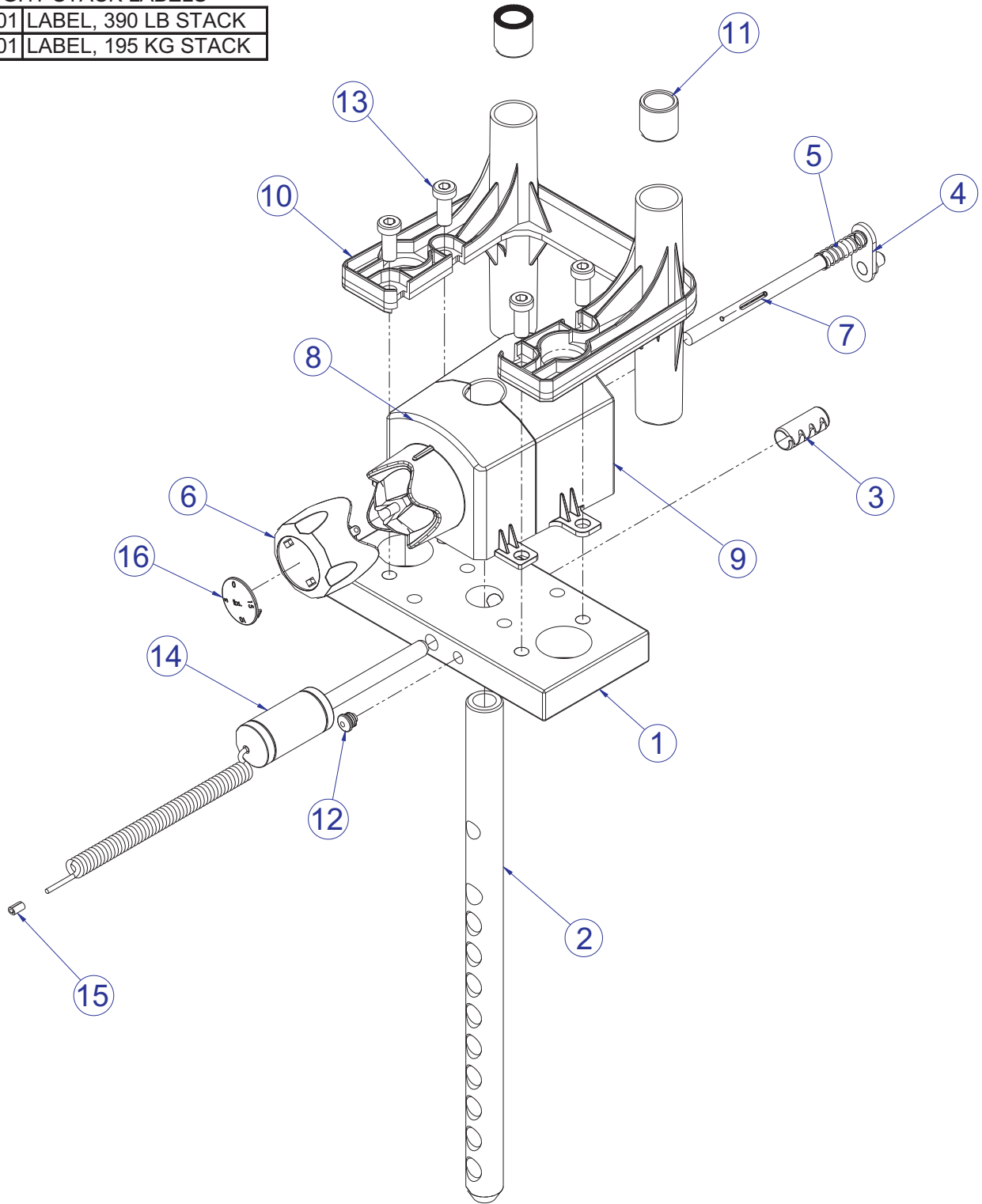


ITEM NO.	QTY.	PART NO.	DESCRIPTION
1	1	7968501	ASSY, FZ INC WEIGHT 5LB
2	1	7328201	BRKT, INCREMENT WT - 15 LB
3	2	3236202	SCREW, M10 X1.5 25MM

FZLR LAT RAISE HEAD PLATE ASSEMBLY - 7350601

WEIGHT STACK LABELS

7927201	LABEL, 390 LB STACK
7927301	LABEL, 195 KG STACK



SEE PAGE 16 FOR LEGEND

FZLR LAT RAISE HEAD PLATE ASSEMBLY LEGEND

ITEM NO.	QTY.	PART NO.	DESCRIPTION
1	1	7326701	HEAD PLATE
2	1	7347801	STEM, 9 PLATE
3	1	3236001	BUSHING, SPRING PIN
4	1	7327201	WLDMT, INCREMENT WT PIN
5	1	8024501	SPRING, 1/2 OD X 1-1/2
6	1	7326101	KNOB, INC WT SELECTOR
7	1	3110008	ROLL PIN, 1/8 X 1-1/4
8	1	7326401	HOUSING, SELECTOR - FRONT
9	1	7326501	HOUSING, SELECTOR - REAR
10	1	7362101	STABILIZER, HEAD PLATE
11	4	7459601	BUSHING, HEAD PLT STABILIZER
12	1	7356501	PLUG, LANYARD ATTACHMENT
13	4	3236202	SCREW, M10 X1.5 25MM
14	1	7338101	ASSY, WT STACK SELECTOR PIN
15	1	7523601	CRIMP, CABLE
16	1	7398601	CAP, SELECTOR KNOB, LBS
	OR		
	1	7398701	CAP, SELECTOR KNOB, KG

FZLR LAT RAISE IMAGE

