

**Questions? See us on the World Wide Web at www.dewalt.com
¿Dudas? Visítenos en Internet: www.dewalt.com
Dúvidas? Visite-nos na Internet em www.dewalt.com.br**

**INSTRUCTION MANUAL
MANUAL DE INSTRUCCIONES
MANUAL DE INSTRUÇÕES**

INSTRUCTIVO DE OPERACIÓN, CENTROS DE SERVICIO Y PÓLIZA DE GARANTÍA. **ADVERTENCIA:** LÉASE ESTE INSTRUCTIVO ANTES DE USAR EL PRODUCTO.

INSTRUÇÕES DE OPERAÇÃO, CENTRO DE SERVIÇOS E CERTIFICADO DE GARANTIA. **ADVERTÊNCIA:** LEIA ESTAS INSTRUÇÕES ANTES DE UTILIZAR O PRODUTO.

DEWALT®

**D26411
Heat Gun
Pistola de calor
Soprador Térmico**

Definitions: Safety Guidelines

The definitions below describe the level of severity for each signal word. Please read the manual and pay attention to these symbols.

▲ DANGER: Indicates an imminently hazardous situation which, if not avoided, **will** result in **death or serious injury**.

▲ WARNING: Indicates a potentially hazardous situation which, if not avoided, **could** result in **death or serious injury**.

▲ CAUTION: Indicates a potentially hazardous situation which, if not avoided, **may** result in **minor or moderate injury**.

CAUTION: Used without the safety alert symbol indicates a potentially hazardous situation which, if not avoided, **may** result in **property damage**.



WARNING: To reduce the risk of injury, read the instruction manual.

Important Safety Instructions

READ THESE INSTRUCTIONS



WARNING! Read all safety warnings and all instructions

Failure to follow the warnings and instructions may result in electric shock, fire and/or serious injury.

▲ WARNING: LEAD-BASED PAINTS. Extreme care should be taken when stripping paint. The peelings, residue and vapors of paint may contain lead, which is poisonous. Any pre-1977 paint may contain lead and paint applied to homes prior to 1950 is likely to contain lead. Once deposited on surfaces, hand to mouth contact can result in the ingestion of lead. Exposure to even low levels of lead can cause irreversible brain and nervous system damage; young and unborn children are particularly vulnerable.

Before beginning any paint removal process you should determine whether the paint you are removing contains lead. This can be

done by your local health department or by a professional who uses a paint analyzer to check the lead content of the paint to be removed. **LEAD BASED PAINT SHOULD ONLY BE REMOVED BY A PROFESSIONAL AND SHOULD NOT BE REMOVED USING A HOT AIR TOOL.**

1) WORK AREA SAFETY

- a) **Keep work area clean and well lit.** Cluttered or dark areas invite accidents.
- b) **Do not operate tool in explosive atmospheres, such as in the presence of flammable liquids, gases or dust.** Tools create sparks which may ignite the dust or fumes.
- c) **Keep children and bystanders away while operating a tool.** Distractions can cause you to lose control.

2) ELECTRICAL SAFETY

- a) **Tool plugs must match the outlet. Never modify the plug in any way. Do not use any adapter plugs with earthed (grounded) tools.** Unmodified plugs and matching outlets will reduce risk of electric shock.
- b) **Avoid body contact with earthed or grounded surfaces such as pipes, radiators, ranges and refrigerators.** There is an increased risk of electric shock if your body is earthed or grounded.
- c) **Do not expose tools to rain or wet conditions.** Water entering a tool will increase the risk of electric shock. Do not immerse tool.
- d) **Do not abuse the cord. Never use the cord for carrying, pulling or unplugging the tool. Keep cord away from heat, oil, sharp edges or moving parts.** Damaged or entangled cords increase the risk of electric shock.
- e) **When operating a tool outdoors, use an extension cord suitable for outdoor use.** Use of a cord suitable for outdoor use reduces the risk of electric shock.

3) PERSONAL SAFETY

- a) **Stay alert, watch what you are doing and use common sense when operating a tool. Do not use a tool while you are tired or under the influence of drugs, alcohol or medication.** A moment of inattention while operating tools may result in serious personal injury.
- b) **Use personal protective equipment. Always wear eye protection.** Protective equipment such as dust mask, non-skid safety shoes, hard hat, or hearing protection used for appropriate conditions will reduce personal injuries.
- c) **Prevent unintentional starting. Ensure the switch is in the off position before connecting to power source and/or battery pack, picking up or carrying the tool.** Carrying tools with your finger on the switch or energising tools that have the switch on invites accidents.
- d) **Dress properly. Do not wear loose clothing or jewellery. Keep your hair, clothing and gloves away from moving parts.** Loose clothes, jewellery or long hair can be caught in moving parts.

4) TOOL USE AND CARE

- a) **Do not use the tool if the switch does not turn it on and off.** Any tool that cannot be controlled with the switch is dangerous and must be repaired.
- b) **Disconnect the plug from the power source and/or the battery pack from the tool before making any adjustments, changing accessories, or storing tools.** Such preventive safety measures reduce the risk of starting the tool accidentally.
- c) **Store idle tools out of the reach of children and do not allow persons unfamiliar with the tool or these instructions to operate the tool.** Tools are dangerous in the hands of untrained users.

- d) **Maintain tools with care.** Keep tools clean for better and safer performance. Follow instructions for lubricating and changing accessories. Inspect tool cords periodically and if damaged, have repaired by authorized service facility. Inspect extension cords periodically and replace if damaged. Keep handles dry, clean, and free from oil and grease.
- e) **Use the tool, accessories and etc., in accordance with these instructions taking into account the working conditions and the work to be performed.** Use of the tool for operations different from those intended could result in a hazardous situation.

5) SERVICE

- a) **Have your tool serviced by a qualified repair person using only identical replacement parts.** This will ensure that the safety of the tool is maintained.

Additional Safety Instructions for Heat Guns

- Hidden areas such as behind walls, ceilings, floors, soffit boards or other panels may contain flammable materials that could be ignited by the hot air tool when working in these locations. The ignition of these materials may not be readily apparent and could result in property damage and injury to persons.
When working in these locations, keep the hot air tool moving in a back-and-forth motion, lingering or pausing in one spot could ignite the panel or the materials behind it. These heat guns are capable of producing temperatures in excess of 1000° F.
- **DO NOT USE THIS TOOL AS A HAIR DRYER.**
- Allow the tool to cool before storing. Do not lay the heat gun on flammable surfaces when operating the gun or immediately after shutting it off. Always set the gun on a flat level surface so that the nozzle tip is pointed upward.
- Always use good quality scrapers and stripping knives.

- Keep moveable items secured and steady while scraping.
- Never obstruct the air intake or nozzle outlet.
- Be sure to direct the hot air blast in a safe direction; away from other people or flammable objects.
- **KEEP FINGERS AWAY FROM METAL NOZZLE; IT BECOMES VERY HOT.** Wear gloves to protect hands.
- Don't touch the nozzle to any surface while running or shortly after running.
- Avoid poking anything down inside the nozzle.
- Know your work environment. Remember that areas behind soffit board, ceilings, and floors may contain highly flammable materials. Check these areas before applying heat.
- Splinters and small particles of stripped paint can be ignited and blown through holes and cracks in the surface being stripped.
- Clean dry paint from the nozzle after use; it could ignite.
- Clean your scraper blade frequently during use; it could ignite.
- Do not use the heat gun in combination with chemical strippers.
- Do not use accessory nozzles as scrapers.
- Keep nozzle away from cord.
- Air vents often cover moving parts and should be avoided. Loose clothes, jewelry or long hair can be caught in moving parts.
- Be constantly aware that this tool can ignite flammable materials, and soften or melt others. Regardless of the task you are performing, shield or keep away from these materials that are close to the work area.
- You may occasionally notice some slight smoking of the tool after it is turned off. This is the result of heating the residual oil that was deposited on the heating element during the manufacturing process.
- **An extension cord must have adequate wire size (AWG or American Wire Gauge) for safety.** The smaller the gauge number of the wire, the greater the capacity of the cable, that

is 16 gauge has more capacity than 18 gauge. An undersized cord will cause a drop in line voltage resulting in loss of power and overheating. When using more than one extension to make up the total length, be sure each individual extension contains at least the minimum wire size. The following table shows the correct size to use depending on cord length and nameplate ampere rating. If in doubt, use the next heavier gauge. The smaller the gauge number, the heavier the cord.

Voltage (Volts)	Total length of cord in meters (m)			
	120 - 127V	0 - 7	7 - 15	15 - 30
220 - 240V	0 - 15	15 - 30	30 - 60	60 - 100
Rated Ampere range	Minimal cross-sectional area of the cord in meters (mm ²)			
0 - 6A	1.0	1.5	1.5	2.5
6 - 10A	1.0	1.5	2.5	4.0
10 - 12A	1.5	1.5	2.5	4.0
12 - 16A	2.5	4.0	Not Recommended	

⚠ WARNING: Always use eye protection. All users and bystanders must wear eye protection that conforms to ANSI Z87.1.

⚠ WARNING: Always wear proper personal hearing protection that conforms to ANSI S12.6 (S3.19) during use. Under some conditions and duration of use, noise from this product may contribute to hearing loss.

⚠ WARNING: Some dust created by power sanding, sawing, grinding, drilling, and other construction activities contains chemicals known to cause cancer, birth defects or other reproductive harm. Some examples of these chemicals are:

- lead from lead-based paints,
- crystalline silica from bricks and cement and other masonry products, and

- arsenic and chromium from chemically-treated lumber (CCA).

Your risk from these exposures varies, depending on how often you do this type of work. To reduce your exposure to these chemicals: work in a well ventilated area, and work with approved safety equipment, such as those dust masks that are specially designed to filter out microscopic particles.

⚠ WARNING: ALWAYS USE SAFETY GLASSES. Everyday eyeglasses are NOT safety glasses. Also use face or dust mask if cutting operation is dusty. All users and bystanders MUST ALWAYS wear certified safety equipment:

- ANSI Z87.1 eye protection (CAN/CSA Z94.3),
- ANSI S12.6 (S3.19) hearing protection,
- NIOSH/OSHA/MSHA respiratory protection.
- The label on your tool may include the following symbols. The symbols and their definitions are as follows:

V..... volts	A amperes
Hz hertz	W watts
min..... minutes	~ alternating current
==== direct current	n _o no load speed
Ⓛ Class I Construction (grounded)	⊕ earthing terminal
Ⓜ Class II Construction (double insulated)	⚠ safety alert symbol
sfp _m surface feet per minute (sfp _m)	BPM..... beats per minute
	.../min.... revolutions or reciprocation per minute

IMPORTANT NOTICE

In order for this tool to be an effective paint stripper, it must produce extremely high temperatures. As a consequence, the stripper is capable of igniting paper, wood, paint and varnish residue and similar materials.

As you become more familiar with the tool and develop the proper technique, the danger of accidental ignition will be greatly reduced. In establishing the proper technique, the best thing to do is PRACTICE! Work on simple stripping projects, preferably outdoors, until you get a “feel” for how to use your stripper safely and effectively.

AS YOU PRACTICE, OBSERVE THE FOLLOWING PROCEDURES FOR SAFETY:

- Always be sure the tool is turned off and disconnected from power supply when unattended.
- Clean the scraper blade often during use. Built up residue on the blade is highly flammable.
- Experiment to find the optimum distance from the tool’s nozzle to the surface being stripped. This distance (usually 25.4 mm–50.8 mm) will vary depending on the material being removed.
- Keep the heat gun moving ahead of the scraper blade at all times.
- As you work, clean up loose pieces of paint as they accumulate around the work area.
- When working indoors, keep away from curtains, papers, upholstery and similar flammable materials.
- Above all, remember that this is a serious tool that is capable of producing excellent results when used properly. Practice on simple projects until you feel comfortable with your stripper. Only then will you have mastered the proper technique.

PERSONS REMOVING PAINT SHOULD ALWAYS FOLLOW THESE GUIDELINES:

- Move the work piece outdoors. If this is not possible, keep the work area well ventilated. Open the windows and put an exhaust fan in one of them. Be sure the fan is moving the air from inside to outside.

- Remove or cover any carpets, rugs, furniture, cooking utensils, and air ducts.
- Place drop cloths in the work area to catch any paint chips or peelings. Wear protective clothing such as extra work shirts, overalls and hats.
- Work in one room at a time. Furnishings should be removed or placed in the center of the room and covered. Work areas should be sealed off from the rest of the dwelling by sealing doorways with drop cloths.
- Children, pregnant women or potentially pregnant women and nursing mothers should not be present in the work area until the work is done and all clean up is complete.
- Wear a dust respirator mask or a dual filter (dust and fume) respirator mask which has been approved by the Occupational Safety and Health Administration (OSHA), the National Institute of Safety and Health (NIOSH), or the United States Bureau of Mines. These masks and replaceable filters are readily available at major hardware stores. Be sure the mask fits. Beards and facial hair may keep masks from sealing properly. Change filters often. **DISPOSABLE PAPER MASKS ARE NOT ADEQUATE.**
- Use caution when operating the heat gun. Keep the heat gun moving as excessive heat will generate fumes which can be inhaled by the operator.
- Keep food and drink out of the work area. Wash hands, arms and face and rinse mouth before eating or drinking. Do not smoke or chew gum or tobacco in the work area.
- Clean up all removed paint and dust by wet mopping the floors. Use a wet cloth to clean all walls, sills and any other surface where paint or dust is clinging. **DO NOT SWEEP, DRY DUST OR VACUUM.** Use a high phosphate detergent or trisodium phosphate (TSP) to wash and mop areas.
- At the end of each work session put the paint chips and debris in a double plastic bag, close it with tape or twist ties, and dispose of properly.
- Remove protective clothing and work shoes in the work area to avoid carrying dust into the rest of the dwelling. Wash work clothes separately. Wipe shoes off with a wet rag that is then washed with the work clothes. Wash hair and body thoroughly with soap and water.

SAVE THESE INSTRUCTIONS FOR FUTURE USE

Specifications

Voltage	120 V / 127 V	220 V
Power Input	1550 W	2000 W
Air temperature range (at nozzle)	122–752°F and 122–1112°F (50-400°C and 50-600°C)	
Weight	1.4 lbs (.06 kg)	

DESCRIPTION (Fig. 1)

⚠ WARNING: Never modify the tool or any part of it. Damage or personal injury could result.

INTENDED USE

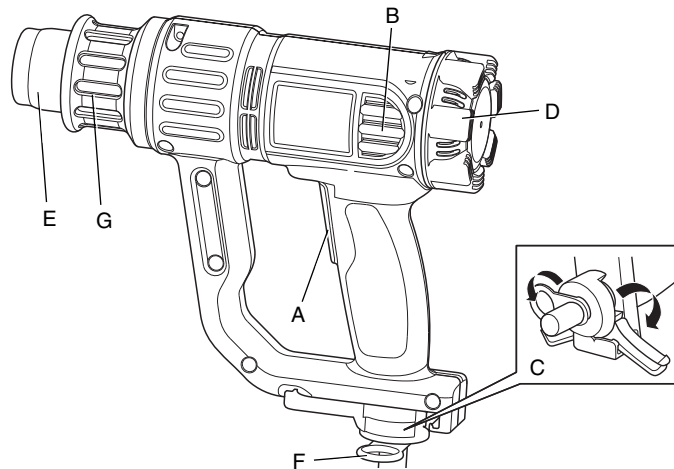
Your DEWALT heat gun D26411 has been designed for stripping paint, soldering pipes, shrinking PVC, welding and bending plastics as well as general drying and thawing purposes.

DO NOT use under wet conditions or in presence of flammable liquids or gases.

This heat gun is a professional power tool. **DO NOT** let children come into contact with the tool. Supervision is required when inexperienced operators use this tool.

- A. On/off switch
 B. Air vents
 C. Kick-off stand
 D. Air temperature adjustment knob
 E. Nozzle
 F. Tool hanging ring
 G. Heat barrel cover

FIG.1



ASSEMBLY AND ADJUSTMENTS

⚠ WARNING: To reduce the risk of injury, turn unit off and disconnect tool from power source before installing and removing accessories, before making any adjustments or removing/installing attachments or accessories.



Setting the Air Temperature (Fig. 1)

The air temperature can be adjusted to suit a wide range of applications. Turn the air temperature adjustment knob (D) clockwise or counterclockwise for higher or lower heat. The table below suggests settings for different applications.

Setting	Applications
Low	<ul style="list-style-type: none"> • Drying paint and varnish • Removing stickers • Waxing and dewaxing • Drying wet timber prior to filling • Shrinking PVC wrapping and insulation tubes
Medium	<ul style="list-style-type: none"> • Thawing frozen pipes • Welding plastics • Bending plastic pipes and sheets • Loosening rusted or tightly fastened nuts and bolts
High	<ul style="list-style-type: none"> • Removing paint and lacquer • Soldering plumbing joints

ATTACH THE CORRECT ACCESSORY

This tool is supplied with a set of accessories for different applications.

Icon	Description	Purpose
	20 \varnothing Cone nozzle	Welding, shrink sleeving (heat concentrated over small area)
	50 mm Fish tail surface nozzle	Drying, thawing (heat spread over wide area)

1. Make sure the on/off switch (A) is in position "O" and the tool is disconnected from the power source. Ensure the nozzle has cooled down.
2. Place the desired accessory onto the nozzle.

OPERATION

⚠ WARNING: Make sure the nozzle ALWAYS points away from you and any bystanders.

⚠ WARNING: DO NOT drop anything into the nozzle.

⚠ WARNING: Use only one hand to hold the tool as shown in Figure 2. Do not place your other hand over the air vents (Fig. 3).

FIG. 2

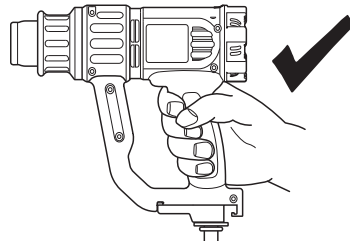
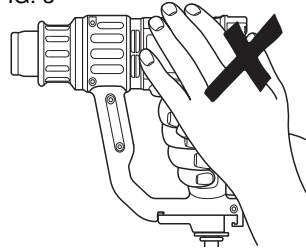


FIG. 3



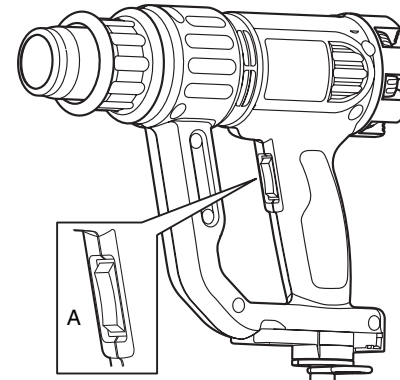
PRIOR TO OPERATION

1. Attach the correct accessory recommended for the application.
2. Turn the air temperature adjustment knob (D) to desired air temperature.

Switching On and Off (Fig. 4)

1. Push the on/off switch (A) to the desired air flow settings:
 - I: 240 liter/min [122–752°F (50°C-400°C)]
A low air flow to heat up the workpiece slowly.
 - II: 450 liter/min [122–1112°F (50°C-600°C)]
A high air flow to heat up the workpiece quickly.
2. To turn the tool off, push the on/off switch (A) to position O. Disconnect the tool from the power source and let the tool cool down before moving or storing it.

FIG. 4



Stripping paint

⚠ WARNING: Refer to **Important Notice** under **Additional Safety Instructions for Heat Guns** before using the tool remove paint.

⚠ WARNING: Do not strip metal window frames as the heat may crack the glass.

- When stripping other window frames, use the glass protection nozzle.
- To prevent igniting the surface, do not keep the tool directed at one spot too long.
- Avoid collecting paint on the scraper accessory, as it may ignite. If necessary, carefully remove paint debris from the scraper accessory using a knife.

1. Attach the appropriate accessory.
2. Turn the air temperature adjustment knob (D) to high.
3. Turn the tool on by selecting the desired air flow.
4. Direct the hot air onto the paint to be removed. Best results will be achieved if the heat gun is moved slowly, but CONSTANTLY, from side to side to evenly distribute heat. DO NOT LINGER OR PAUSE IN ONE SPOT.

- When the paint softens, scrape the paint away using a hand scraper.

REMEMBER: Splinters and small particles of stripped paint can be ignited and blown through holes and cracks in the surface being stripped.

Stationary Use (Fig. 1)

This tool can also be used in stationary mode.

- Fold down the kickstand (C) as shown in Figure 1.
- Set the tool onto a level, stable workbench. Ensure the tool will not tip over.
- Secure the power cord to prevent entanglement or pulling the tool off the workbench.
- Turn the tool on by selecting the desired air flow.

Constant Heat Control (overload protection)

When the tool is overloaded, this feature protects the heating element from damage without stopping the tool and/or without a cool down period

- When the temperature gets too hot, the heating element switches itself off. The motor will continue to run and produce cold air.
- When the temperature has cooled sufficiently (taking only a few seconds) the heating element will switch on automatically.

Tool Ring (Fig. 1)

⚠ WARNING: ALWAYS turn heat gun off, disconnect from the power source and let the tool cool down for at least 30 minutes before moving or storing it.

For easy storage, the tool can hang from the tool ring (F). The heat gun should be stored indoors.

Cool Down Period

The nozzle and accessory becomes very hot during use. Turn heat gun off, disconnect from the power source and let the tool cool down for at least 30 minutes before moving or storing it.

NOTE: To reduce the cooling time, switch the tool on at the lowest air temperature setting and let it run for a few minutes before turning the heat gun off.

MAINTENANCE

⚠ WARNING: To reduce the risk of injury, turn unit off and disconnect tool from power source before installing and removing accessories, before making any adjustments or removing/installing attachments or accessories.

Your DEWALT power tool has been designed to operate over a long period of time with a minimum of maintenance. Continuous satisfactory operation depends upon proper tool care and regular cleaning.

Lubrication

Your power tool requires no additional lubrication.

Cleaning

⚠ WARNING: Blow dirt and dust out of the main housing with dry air as often as dirt is seen collecting in and around the air vents. Wear approved eye protection and approved dust mask when performing this procedure.

⚠ WARNING: Never use solvents or other harsh chemicals for cleaning the non-metallic parts of the tool. These chemicals may weaken the materials used in these parts. Use a cloth dampened only with water and mild soap. Never let any liquid get inside the tool; never immerse any part of the tool into a liquid.

Accessories

⚠WARNING: *Since accessories, other than those offered by DEWALT, have not been tested with this product, use of such accessories with this tool could be hazardous. To reduce the risk of injury, only DEWALT, recommended accessories should be used with this product.*

Recommended accessories for use with your tool are available at extra cost from your local dealer or authorized service center.

Definiciones: Normas de seguridad

Las siguientes definiciones describen el nivel de gravedad de cada advertencia. Lea el manual y preste atención a estos símbolos.

▲ **PELIGRO:** indica una situación de peligro inminente que, si no se evita, **provocará la muerte o lesiones graves.**

▲ **ADVERTENCIA:** Indica una situación de peligro potencial que, si no se evita, **podría provocar la muerte o lesiones graves**

▲ **ATENCIÓN:** Indica una situación de peligro potencial que, si no se evita, **puede provocar lesiones leves o moderadas.**

ATENCIÓN: Utilizado sin el símbolo de alerta de seguridad indica una situación de peligro potencial que, si no se evita, **puede provocar daños en la propiedad.**



ADVERTENCIA: Para reducir el riesgo de lesiones, consulte el manual de instrucciones.

Instrucciones de seguridad importantes

LEA ESTAS INSTRUCCIONES



¡ADVERTENCIA! Lea todas las advertencias de seguridad y todas las instrucciones. De lo contrario, podría sufrir descargas eléctricas, causar incendios y/o lesiones graves.

▲ **ADVERTENCIA:** PINTURAS EN BASE A PLOMO. Es importante tener mucho cuidado al remover pintura. Los pedazos, residuos y gases de pintura pueden contener plomo, que es venenoso. Cualquier pintura aplicada antes de 1977 puede contener plomo, y es probable que la pintura aplicada a casas construidas antes de 1950 contenga plomo. Una vez depositada sobre una superficie, el

contacto de las manos con ella puede resultar en una ingestión de plomo si se lleva las manos a la boca. La exposición a incluso niveles bajos de plomo puede causar daños irreversibles al cerebro y al sistema nervioso; los niños y bebés no natos son particularmente vulnerables.

Antes de comenzar el proceso de remover pintura, debería determinar si la pintura a remover contiene plomo o no. Esto puede hacerlo su oficina local de la salud o un profesional que use un analizador de pintura para verificar el contenido de plomo de la pintura a remover. **LA PINTURA EN BASE A PLOMO SÓLO DEBE SER REMOVIDA POR UN PROFESIONAL Y NO DEBERÍA SER REMOVIDA CON UNA HERRAMIENTA QUE EMITA AIRE CALIENTE.**

1) SEGURIDAD DEL ÁREA DE TRABAJO

- a) **Mantenga el área de trabajo limpia y bien iluminada.** Las áreas abarrotadas u oscuras propician accidentes.
- b) **No haga funcionar las herramientas eléctricas en atmósferas explosivas, como ambientes donde haya polvo, gases o líquidos inflamables.** Las herramientas eléctricas originan chispas que pueden encender el polvo o producir humo.
- c) **Mantenga alejados a los niños y a los espectadores de la herramienta eléctrica en funcionamiento.** Las distracciones pueden provocar la pérdida de control.

2) SEGURIDAD ELÉCTRICA

- a) **Los enchufes de la herramienta eléctrica deben adaptarse a la toma de corriente. Nunca modifique el enchufe de ninguna manera. No utilice ningún enchufe adaptador con herramientas eléctricas con conexión a tierra.** Los enchufes no modificados y que se adaptan a las tomas de corrientes reducirán el riesgo de descarga eléctrica.
- b) **Evite el contacto corporal con superficies con toma de tierra como, por ejemplo, tuberías, radiadores, cocinas y**

refrigeradores. Existe mayor riesgo de descarga eléctrica si su cuerpo está puesto a tierra.

- c) **No exponga las herramientas eléctricas a la lluvia ni a condiciones de humedad.** Si entra agua en una herramienta eléctrica, aumentará el riesgo de descarga eléctrica.
- d) **No use el cable indebidamente. Nunca utilice el cable para transportar, tirar o desenchufar la herramienta eléctrica. Mantenga el cable alejado del calor, el aceite, los bordes afilados o las piezas móviles.** Los cables dañados o enredados aumentan el riesgo de descarga eléctrica.
- e) **Al operar una herramienta eléctrica en el exterior, utilice un cable prolongador adecuado para tal uso.** Utilice un cable adecuado para uso en exteriores a fin de reducir el riesgo de descarga eléctrica.
- f) **Si no se puede evitar el uso de una herramienta eléctrica en una zona húmeda, utilice un dispositivo de corriente residual (residual current device, RCD) de seguridad.** El uso de un RCD reduce el riesgo de sufrir una descarga eléctrica.

3) SEGURIDAD PERSONAL

- a) **Permanezca alerta, controle lo que está haciendo y utilice el sentido común cuando emplee una herramienta eléctrica. No utilice una herramienta eléctrica si está cansado o bajo el efecto de drogas, alcohol o medicamentos.** Un momento de descuido mientras se opera una herramienta eléctrica puede provocar lesiones personales graves.
- b) **Utilice equipo de seguridad personal. Utilice siempre protección ocular.** El uso de equipo de seguridad, como mascarillas para polvo, calzado de seguridad antideslizante, cascos o protección auditiva en las condiciones adecuadas reducirá las lesiones personales.
- c) **Evite poner en marcha la herramienta involuntariamente. Asegúrese de que el interruptor está apagado antes de conectar la fuente de alimentación y/o la batería, coger**

o transportar la herramienta. Transportar herramientas eléctricas con su dedo apoyado sobre el interruptor o enchufar herramientas eléctricas con el interruptor en la posición de encendido puede propiciar accidentes.

- d) **Retire la clavija de ajuste o la llave de tuercas antes de encender la herramienta eléctrica.** Una llave de tuercas o una clavija de ajuste que quede conectada a una pieza giratoria de la herramienta eléctrica puede provocar lesiones personales.
- e) **No se estire demasiado. Conserve el equilibrio y posicione adecuadamente en todo momento.** Esto permite un mejor control de la herramienta eléctrica en situaciones inesperadas.
- f) **Use la vestimenta adecuada. No use ropas holgadas ni joyas. Mantenga el cabello, la ropa y los guantes alejados de las piezas en movimiento.** Las ropas holgadas, las joyas o el cabello largo pueden quedar atrapados en las piezas en movimiento.
- g) **Si se suministran dispositivos para la conexión de accesorios con fines de recolección y extracción de polvo, asegúrese de que estén conectados y que se utilicen correctamente.** El uso del extractor de polvo puede reducir los riesgos relacionados con el polvo.

4) USO Y MANTENIMIENTO DE LA HERRAMIENTA ELÉCTRICA

- a) **No fuerce la herramienta eléctrica. Utilice la herramienta eléctrica correcta para el trabajo que realizará.** La herramienta eléctrica correcta hará el trabajo mejor, y de un modo más seguro, a la velocidad para la que fue diseñada.
- b) **No utilice la herramienta eléctrica si no puede encenderla o apagarla con el interruptor.** Las herramientas que no puedan ser controladas con el interruptor constituyen un peligro y deben repararse.

- c) **Desconecte el enchufe de la fuente de alimentación o la batería de la herramienta eléctrica antes de realizar cualquier ajuste, cambio de accesorios o almacenar las herramientas eléctricas.** Estas medidas de seguridad preventivas reducen el riesgo de encender la herramienta eléctrica de forma accidental.
- d) **Guarde la herramienta eléctrica que no esté en uso fuera del alcance de los niños y no permita que otras personas no familiarizadas con ella o con estas instrucciones operen la herramienta.** Las herramientas eléctricas son peligrosas si son operadas por usuarios que no tienen formación.
- e) **Mantenimiento de las herramientas eléctricas. Revise que no haya piezas en movimiento mal alineadas o trabadas, piezas rotas o cualquier otra situación que pueda afectar el funcionamiento de las herramientas eléctricas. Si encuentra daños, haga reparar la herramienta eléctrica antes de utilizarla.** Se producen muchos accidentes a causa de las herramientas eléctricas que carecen de un mantenimiento adecuado.
- f) **Mantenga las herramientas de corte afiladas y limpias.** Las herramientas de corte con mantenimiento adecuado y con los bordes de corte afilados son menos propensas a trabarse y son más fáciles de controlar.
- g) **Utilice las herramientas eléctricas, sus accesorios y piezas, etc. de acuerdo con las presentes instrucciones, teniendo siempre en cuenta las condiciones de trabajo y el trabajo que deba llevar a cabo.** El uso de la herramienta eléctrica para operaciones diferentes de aquellas para las que fue diseñada podría originar una situación peligrosa.
- 5) MANTENIMIENTO**
- a) **Solicite a una persona cualificada en reparaciones que realice el mantenimiento de su herramienta eléctrica**

y que solo utilice piezas de repuesto idénticas. Esto garantizará la seguridad de la herramienta eléctrica.

Instrucciones de seguridad adicionales para el uso de pistolas de aire caliente

- Las áreas ocultas, como detrás de paredes o cielo rasos, debajo de pisos, tablas de plafón u otros paneles, pueden contener materiales inflamables que podrían encenderse al usar una herramienta que emite aire caliente cuando trabaje en estos lugares. Estos materiales podrían encenderse en forma imperceptible al comienzo lo que podría resultar en daños de propiedad y lesiones a personas.
Cuando trabaje en este tipo de lugar, mantenga la herramienta de aire caliente en movimiento, hacia adelante y hacia atrás. El detenerse o pausar en un lugar podría prender el panel o los materiales que se encuentran detrás del mismo. Estas pistolas de aire caliente son capaces de emitir temperaturas superiores a los 1000 grados Fahrenheit.
- **NO USE ESTA HERRAMIENTA COMO SECADORA DE PELO.**
- Deje que la herramienta se enfríe bien antes de guardarla. No deje la pistola de calor sobre superficies inflamables mientras esté en operación o inmediatamente después de apagarla. Siempre ponga la pistola de calor sobre una superficie plana y nivelada de modo que la punta quede hacia arriba.
- Siempre use espátulas y cuchillos de buena calidad cuando remueva pintura.
- Afirme y fije cualquier artículo movable mientras raspe con la espátula.
- Nunca obstruya la entrada de aire o la salida de aire de la pistola.
- Asegúrese de dirigir la salida de aire caliente en una dirección segura; aléjela de otras personas o de objetos inflamables.

- **MANTENGA LOS DEDOS ALEJADOS DE LA PUNTA DE METAL; SE CALIENTA MUCHO.** Use guantes para protegerse las manos.
 - No toque la punta contra ninguna superficie mientras esté en operación o al poco tiempo de haber dejado de operarla.
 - Evite que se introduzca nada por la punta.
 - Conozca su entorno de trabajo. Recuerde que hay áreas detrás de plafones, cielo rasos y pisos que pueden contener materiales altamente inflamables. Revise estas áreas antes de aplicar calor a ellas.
 - Las astillas y partículas pequeñas de pintura pueden encenderse y luego introducirse con el aire de la pistola dentro de orificios y ranuras en la superficie a remover.
 - Limpie la pintura seca residual de la punta después de cada uso; podría encenderse.
 - Limpie la hoja de su espátula frecuentemente durante su uso; podría encenderse.
 - No use la pistola de calor con removedores de pintura químicos.
 - No use las puntas de accesorio como espátulas.
 - Mantenga la punta alejada del cable.
 - Las rejillas de ventilación suelen cubrir piezas en movimiento, por lo que se debe evitar el contacto con ellas. La ropa suelta, las joyas y el pelo largo pueden quedar atrapados en las piezas móviles.
 - Esté siempre atento a que esta herramienta puede encender materiales inflamables y ablandar o derretir otros. No importa qué tarea esté desempeñando, siempre proteja y mantenga alejados de la pistola aquellos materiales próximos al área de trabajo.
 - Es posible que en ocasión note algo de humo salir de la herramienta una vez apagada. Este es el resultado del calentamiento de residuos de aceite depositados en el elemento de calor durante el proceso de fabricación.
- **Los cables de extensión deben ser de un calibre apropiado (AWG o American Wire Gauge) para su seguridad.** Mientras menor sea el calibre del cable, mayor la capacidad del cable. Es decir, un cable calibre 16 tiene mayor capacidad que uno de 18. Un cable de un calibre insuficiente causará una caída en la tensión de la línea dando por resultado una pérdida de energía y sobrecalentamiento. Cuando se utilice más de un alargador para completar el largo total, asegúrese que los cables de cada alargador tengan el calibre mínimo. La tabla siguiente muestra el tamaño correcto a utilizar, dependiendo de la longitud del cable y del amperaje nominal de la placa de identificación. Si tiene dudas sobre cuál calibre usar, use un calibre mayor. Cuanto más pequeño sea el número del calibre, más resistente será el cable.

Tensión (Volts)	Longitud del cable en metros (m)			
	0 - 7	7 - 15	15 - 30	30 - 50
120 - 127V	0 - 7	7 - 15	15 - 30	30 - 50
220 - 240V	0 - 15	15 - 30	30 - 60	60 - 100
Corriente nominal (Ampéres)	Sección nominal mínima del cable en milímetros cuadrados (mm ²)			
0 - 6A	1.0	1.5	1.5	2.5
6 - 10A	1.0	1.5	2.5	4.0
10 - 12A	1.5	1.5	2.5	4.0
12 - 16A	2.5	4.0	No recomendado	

⚠ **ADVERTENCIA:** Siempre use protección ocular. Todos los usuarios y las personas circunstantes deben llevar protección ocular en conformidad con ANSI Z87.1.

⚠ **ADVERTENCIA:** Siempre lleve la debida protección auditiva personal en conformidad con ANSI S12.6 (S3.19) durante el

uso de esta herramienta. Bajo algunas condiciones y duraciones de uso, el ruido producido por este producto puede contribuir a la pérdida auditiva.

⚠ ADVERTENCIA: Parte del polvo generado al lijar, serrar, esmerilar o taladrar, así como al realizar otras actividades del sector de la construcción, contienen productos químicos que pueden producir cáncer, defectos congénitos u otras afecciones reproductivas. Ejemplos de estos químicos son:

- plomo de algunas pinturas,
- polvo de sílice proveniente de ladrillos y cemento y otros productos de albañilería, y
- arsénico y cromo provenientes de maderas tratadas con químicos (arseniato de cobre cromado).

Su riesgo de exposición a estos químicos varía, dependiendo de la frecuencia con la cual realiza usted este tipo de trabajo. Para reducir la exposición a esas sustancias químicas: trabaje en una zona bien ventilada y llevando equipos de seguridad aprobados, como mascarillas antipolvo especialmente diseñadas para filtrar partículas microscópicas.

⚠ ADVERTENCIA: USE SIEMPRE LENTES DE SEGURIDAD. Los anteojos de diario NO SON lentes de seguridad. Utilice además una máscara para la cara o guardapolvo si la operación de corte genera demasiado polvo. Todo usuario y persona circunstante DEBE SIEMPRE llevar equipo de seguridad certificado:

- Protección ocular ANSI Z87.1 (CAN/CSA Z94.3),
 - Protección auditiva ANSI S12.6 (S3.19),
 - Protección respiratoria NIOSH/OSHA/MSHA.
- La etiqueta de su herramienta puede incluir los siguientes símbolos. A continuación se indican los símbolos y sus definiciones:
- | | |
|------------------|---------------------------|
| V..... voltios | A amperes |
| Hz hertz | Wvatios |
| min minutos | ~ corriente alterna |

==== ... corriente directa	n ₀velocidad sin carga
Ⓜ Construcción de clase I (tierra)	Ⓜterminal de conexión a tierra
Ⓜ Construcción de clase II (doble aislamiento)	⚠símbolo de advertencia de seguridad
BPM... golpes por minuto	.../min ..revoluciones o
sfpm... pies de superficie por minuto (sfpm)	reciprocidad por minuto

NOTA IMPORTANTE

Para ser un removedor de pintura eficaz, esta herramienta debe producir temperaturas extremadamente altas. Consecuentemente, el removedor es capaz de encender papel, madera y residuos de pintura y barniz, como también otros materiales similares.

En la medida en que se familiarice más con la herramienta y domine la técnica apropiada de operación, el peligro de incendio accidental disminuirá considerablemente. Para dominar la técnica apropiada, lo mejor que puede hacer es ¡PRACTICAR! Realice proyectos de remoción de pintura simples, preferiblemente a la intemperie, hasta que se sienta cómodo utilizando su removedor de pintura en forma segura y eficaz.

DURANTE SU PRÁCTICA, OBSERVE LOS SIGUIENTES PROCEDIMIENTOS DE SEGURIDAD:

- Siempre verifique que la herramienta esté apagada y desconectada de su abastecimiento eléctrico mientras no sea supervisada.
- Limpie la hoja de la espátula frecuentemente durante su uso. Los residuos acumulados en la hoja son altamente inflamables.
- Practique hasta encontrar la distancia óptima entre la punta de la herramienta y la superficie a remover. La distancia (usualmente 25,4 mm – 50,8 mm) variará dependiendo del material a remover.

- Mantenga la pistola de calor en movimiento delante de la hoja de la espátula en todo momento.
- Mientras trabaja, limpie pedazos sueltos de pintura mientras se acumulan entorno al área de trabajo.
- Cuando trabaje en interiores, manténgase alejado de cortinas, papeles, muebles tapizados y materiales similares inflamables.
- Por sobre todo, recuerde que esta es una herramienta potente, capaz de producir excelentes resultados cuando es utilizada debidamente. Practique con proyectos simples hasta sentirse cómodo con su removedor de pintura. Sólo entonces habrá dominado la técnica apropiada.

SI ESTÁ REMOVIENDO PINTURA, SIEMPRE SIGA ESTAS PAUTAS:

- Lleve la pieza de trabajo a la intemperie. Si esto no es posible, mantenga el área de trabajo bien ventilada. Abra las ventanas y coloque un ventilador de escape en una de ellas. Verifique que el ventilador mueva el aire desde adentro para afuera.
- Quite o tape toda alfombra, todo mueble, utensilio de cocina y ducto de aire.
- Tape con toldos el área de trabajo para atrapar cualquier pedazo de pintura que caiga. Vista ropa protectora como camisas de trabajo adicionales, sobretodos y gorros.
- Trabaje en una habitación por vez. Deberá sacar sus muebles o ponerlos al centro de la habitación y tapparlos. Las áreas de trabajo deberán ser selladas para proteger el resto de las habitaciones. Selle umbrales con toldos.
- Los niños, las mujeres embarazadas o potencialmente embarazadas y lactantes no deberían estar presentes en el área de trabajo hasta que el trabajo sea completado y el área limpiada.
- Vista una máscara antipolvo con respirador o filtro doble (polvo y gases) aprobada por la Oficina Administrativa de

Salud y Seguridad Laboral (OSHA), el Instituto Nacional de la Seguridad y Salud (NIOSH), o la Oficina de Minas de los Estados Unidos. Estas máscaras y estos filtros reemplazables están disponibles en las tiendas de ferretería más importantes. Verifique que la máscara le quede bien. Las barbas y el vello facial pueden prevenir que las máscaras sellen debidamente. Cambie los filtros con frecuencia. **LAS MÁSCARAS DE PAPEL DESECHABLES NO SON ADECUADAS.**

- Tenga cuidado al operar la pistola de calor. Mantenga la pistola de calor en movimiento ya que el calor excesivo genera gases que pueden ser inhalados por el operador.
- Mantenga su comida y bebida fuera del área de trabajo. Lávese las manos, los brazos y la cara y enjuáguese la boca antes de comer o beber. No fume ni mastique chicle o tabaco en el área de trabajo.
- Limpie toda la pintura y el polvo removido que haya caído al piso con un trapero mojado. Use un paño húmedo para limpiar todas las paredes los bordes de las ventanas y otras superficies de donde pueda haber pintura o polvo prendido. **NO BARRA, DESENPOLVE EN SECO O ASPIRE.** Use un detergente de alto contenido de fosfato o de fosfato trisódico (TSP) para lavar y trapear las áreas de trabajo.
- Al final de cada sesión de trabajo, ponga los residuos de pintura y demás en una bolsa de plástico doble, ciérrela con cinta adhesiva o amarras, y disponga de ella debidamente.
- Quítese la ropa y los zapatos de trabajo en el área de trabajo para evitar llevar polvo y residuos al resto del lugar. Lave la ropa de trabajo aparte de otra ropa. Pásele un paño húmedo a sus zapatos para limpiarlos y lave el paño luego con su ropa de trabajo. Lávese el pelo y el cuerpo bien con jabón y agua.

GUARDE ESTAS INSTRUCCIONES PARA SU FUTURA REFERENCIA

Especificaciones

Voltaje	120 V / 127 V	220 V
Entrada de corriente	1550 W	2000 W
Temperatura del aire rango (en la punta)	122–752 °F y 122–1112 °F (50-400 °C y 50-600 °C)	
Peso	1,4 lbs (0.06 kg)	

DESCRIPCIÓN (FIG. 1)

⚠ **ADVERTENCIA:** Nunca modifique la herramienta, ni tampoco ninguna de sus piezas. Podría producir lesiones corporales.

USO DEBIDO

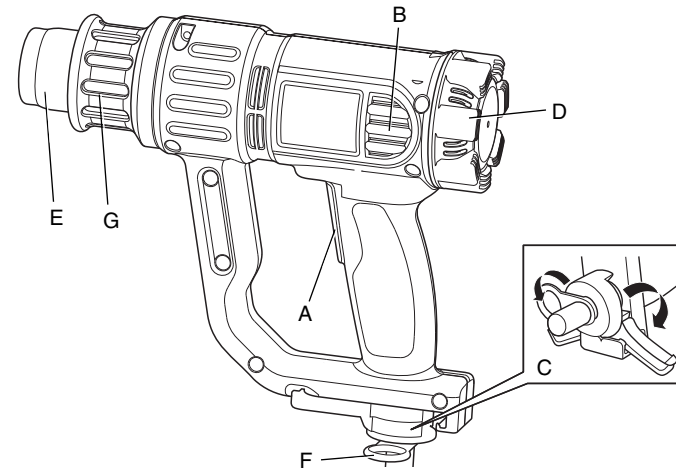
Su pistola de calor D26411DEWALT fue diseñada para remover pintura, soldar cañerías, encoger PVC, soldar y doblar plásticos y para tareas de secado y derretido.

NO utilice la herramienta en condiciones húmedas o en la presencia de líquidos o gases inflamables.

Esta pistola de calor es una herramienta eléctrica profesional. **NO** permita que un niño juegue con ella. Si el operador no tiene experiencia operando esta herramienta, su uso deberá ser supervisado.

- A. Conmutador de encendido y apagado
- B. Ductos de ventilación
- C. Pedestal
- D. Botón de ajuste de la temperatura del aire
- E. Punta
- F. Anillo para colgar la herramienta
- G. Cubierta del barril emisor de calor

FIG.1



MONTAJE Y AJUSTES

⚠ **ADVERTENCIA:** Para reducir el riesgo de lesiones, apague la unidad y desconecte de la fuente de alimentación antes de instalar o quitar accesorios o de hacer ajustes.



Para fijar la temperatura del aire (Fig. 1)

La temperatura del aire puede ser ajustada para realizar una gran variedad de aplicaciones. Gire el botón de ajuste de la temperatura del aire (D) en la dirección de las manillas del reloj o contraria a las manillas del reloj para aumentar o reducir la temperatura. La tabla siguiente sugiere diferentes configuraciones para una variedad de aplicaciones.

Configuración	Aplicaciones
Baja	<ul style="list-style-type: none"> • Secado de pintura y barniz • Remover calcomanías • Encerar y quitar cera • Secar madera húmeda antes de llenar • Encoger envoltorios de PVC y tubos de aislamiento
Mediana	<ul style="list-style-type: none"> • Descongelar cañerías congeladas • Soldado de plásticos • Doblar cañerías y láminas de plásticos • Aflojar tuercas y pernos oxidados o demasiado apretados
Alta	<ul style="list-style-type: none"> • Remover pintura y laca • Soldar conexiones de plomería

USE EL ACCESORIO CORRECTO

Esta herramienta viene con una serie de accesorios para usar con diferentes aplicaciones.

Ícono	Descripción	Propósito
	Punta de cono de 20°	Soldar, encoger plásticos (concentrar el calor en un área pequeña)
	Cola de pez de 50 mm punta de superficie	Secado, descongelado (distribuir el calor en un área ancha)

1. Verifique que el conmutador de encendido y apagado (A) esté en posición "O" y que la herramienta esté desenchufada. Verifique que la punta se haya enfriado.
2. Coloque el accesorio deseado en la punta.

FUNCIONAMIENTO

⚠ **ADVERTENCIA:** Verifique que la punta SIEMPRE apunte en dirección opuesta a usted y a personas circundantes.

⚠ **ADVERTENCIA:** NO deje caer nada dentro de la punta.

⚠ **ADVERTENCIA:** Use sólo una mano para operar la herramienta, como lo muestra la Figura 2. No ponga la otra mano sobre los ductos de ventilación (Fig. 3).

FIG. 2

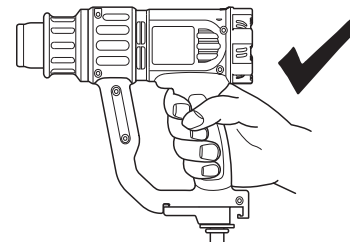
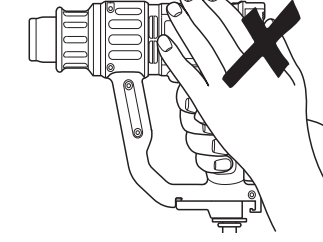


FIG. 3



ANTES DE OPERAR LA HERRAMIENTA

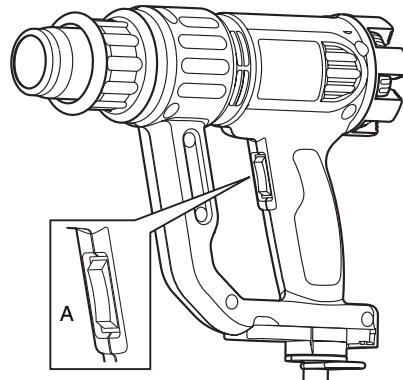
1. Instale el accesorio correcto recomendado para la aplicación.
2. Gire el botón de ajuste de la temperatura del aire (D) a la temperatura deseada.

Encendido y apagado (Fig. 4)

1. Ponga el conmutador de encendido y apagado (A) a la configuración deseada para el flujo de aire:
 - I: 240 litros/min [122–752 °F (50 °C–400 °C)]
Un flujo menor de aire para calentar la pieza de trabajo lentamente.
 - II: 450 litros/min [122–1112 °F (50 °C–600 °C)]
Un flujo alto de aire para calentar la pieza de trabajo rápidamente.

- Para apagar la herramienta, ponga el conmutador de encendido y apagado (A) en la posición O. Desenchufe la herramienta de la fuente de corriente y deje que la herramienta se enfría antes de moverla o guardarla.

FIG. 4



Remoción de pintura

⚠ **ADVERTENCIA:** Remítase a **Nota importante** bajo **Instrucciones de seguridad adicionales para el uso de pistolas de aire caliente** antes de usar la herramienta para remover pintura.

⚠ **ADVERTENCIA:** No remueva pintura de marcos de metal, pues podría trizar el vidrio con el calor.

- Cuando remueva pintura de otros marcos, use la punta de protección de vidrio.
- Para evitar encender la superficie, no dirija la herramienta a un lugar particular por demasiado tiempo.
- Evite acumular pintura en el accesorio espátula pues podría encenderse. Si fuera necesario, remueva los residuos de pintura del accesorio espátula con un cuchillo y mucho cuidado.

1. Instale el accesorio apropiado.
2. Gire el botón de ajuste de la temperatura del aire (D) a alto.
3. Seleccione el flujo de aire deseado para encender la herramienta.
4. Dirija el aire caliente a la pintura que desea remover.
Para obtener mejores resultados, mueva la pistola de aire lenta pero **CONSTANTEMENTE**, de lado a lado en forma pareja para distribuir el calor. **NO SE DETENGA O PAUSE EN UN SÓLO SITIO.**
5. Cuando la pintura se ablande, ráspela con la espátula de mano.

RECUERDE: Las astillas y partículas pequeñas de pintura pueden encenderse y luego introducirse con el aire de la pistola dentro de orificios y ranuras en la superficie a remover.

Uso estacionario (Fig. 1)

Esta herramienta puede también usarse en forma estacionaria.

1. Doble el pedestal (C) como se muestra en la Figura 1.
2. Ponga la herramienta sobre una mesa de trabajo nivelada y estable. Verifique que la herramienta no se vaya a voltear.
3. Amarre el cable de alimentación para evitar que se enrede o que tire de la herramienta y la bote de la mesa de trabajo.
4. Seleccione el flujo de aire deseado para encender la herramienta.

Control constante de calor (protección de sobrecarga)

Cuando la herramienta se sobrecarga, esta característica de seguridad protege el elemento emisor de calor de daños sin detener la herramienta y/o sin necesidad de dejar que enfríe.

1. Cuando la temperatura es demasiado alta, el elemento emisor de calor se apaga solo. El motor seguirá funcionando y produciendo aire frío.

2. Cuando la temperatura haya bajado lo suficiente (demorando sólo unos segundos), el elemento emisor de calor se encenderá automáticamente.

Anillo para colgar (Fig. 1)

⚠ ADVERTENCIA: SIEMPRE apague la pistola de calor, desenchúfela de la fuente de alimentación de corriente y deje que se enfríe por al menos 30 minutos antes de moverla o guardarla.

Para facilitar el almacenado, la herramienta puede colgar del anillo (F). La pistola de calor debería ser almacenada en el interior.

Período de enfriamiento

La punta y el accesorio se calentarán mucho durante el uso. Apague la pistola de calor, desenchúfela de la fuente de alimentación de corriente y deje que se enfríe por al menos 30 minutos antes de moverla o guardarla.

NOTA: Para reducir el tiempo de enfriado, encienda la herramienta con la configuración más baja de temperatura de aire y deje que opere por unos minutos antes de apagar la pistola.

MANTENIMIENTO

Su herramienta DEWALT ha sido diseñada para funcionar durante un largo período con un mínimo de mantenimiento. Un funcionamiento continuo satisfactorio depende del cuidado adecuado de la herramienta y de una limpieza periódica.

⚠ ADVERTENCIA: Para minimizar el riesgo de graves lesiones personales, apague la herramienta y desconecte la batería antes de realizar ajustes o quitar/installar los acoples o accesorios. Un encendido accidental puede causar lesiones.

Lubricación

La herramienta eléctrica no requiere lubricación adicional.

Limpieza

⚠ ADVERTENCIA: Sople la suciedad y el polvo de la carcasa principal con aire seco siempre que vea acumularse el polvo alrededor de los respiraderos. Utilice protección ocular y mascarillas antipolvo aprobadas cuando realice este procedimiento.

⚠ ADVERTENCIA: no use nunca disolventes ni otros agentes químicos agresivos para limpiar las piezas no metálicas de la herramienta. Estos agentes químicos pueden debilitar los materiales de dichas piezas. Use un trapo humedecido sólo con agua y jabón suave. No deje que penetre ningún líquido dentro de la herramienta y no sumerja ninguna pieza de la herramienta en líquidos.

Accesorios

⚠ ADVERTENCIA: Dado que algunos accesorios, diferentes de los ofrecidos por DEWALT, no se han probado con este producto, el empleo de tales accesorios podría constituir un riesgo. Para reducir el riesgo de lesiones, sólo deben usarse con el producto los accesorios recomendados DEWALT.

Si desea más información sobre los accesorios adecuados, consulte a su distribuidor.

Especificaciones

D26411

Frecuencia de operación:	50-60 Hz
Potencia nominal:	
120V	1 550 W
220V	2 000 W
Temperatura :	50-600° C
Peso	0,06 kg (1,4 lbs)

Definições: Diretrizes de Segurança

As definições abaixo apresentadas descrevem o grau de gravidade correspondente a cada palavra de advertência. Leia cuidadosamente o manual e preste atenção a estes símbolos.

▲ **PERIGO:** Indica uma situação de risco iminente que, se não for evitada, resultará em morte ou ferimentos graves.

▲ **AVISO:** Indica uma situação de risco potencial que, se não evitada, poderá resultar em morte ou ferimentos graves.

▲ **CUIDADO:** Indica uma situação de risco potencial que, se não evitada, poderá resultar em ferimentos leves ou moderados.

CUIDADO: Usado sem o símbolo de alerta de segurança indica uma situação de risco potencial que, se não evitada, poderá resultar em danos à propriedade.



ATENÇÃO: Para reduzir o risco de lesões, leia o Manual de Instruções.

Instruções de Segurança Importantes LEIA ESTAS INSTRUÇÕES



ATENÇÃO! Leia todas as advertências de segurança e todas as instruções. Caso as advertências e instruções não sejam seguidas, podem ocorrer choques elétricos, incêndios, e/ou lesões sérias.

▲ **ATENÇÃO:** TINTAS À BASE DE CHUMBO. Você deve ter muito cuidado ao raspar uma parede para remover a tinta velha. As lascas, os resíduos e os vapores de tinta podem conter chumbo, uma substância venenosa. As tintas fabricadas antes de 1977 podem conter chumbo e as tintas usadas em aplicações domésticas

antes de 1950 provavelmente contêm chumbo. Uma vez que o chumbo se deposita numa superfície, é possível que aconteça ingestão através de contato da mão com a boca. A exposição até mesmo a níveis baixos de chumbo pode causar lesões cerebrais e danos ao sistema nervoso irreversíveis; as crianças e os fetos são ainda mais vulneráveis.

Antes de começar qualquer trabalho de remoção de tinta, você deve descobrir se a tinta que você vai remover contém chumbo. Isto pode ser feito pelo seu departamento de saúde local ou por um profissional usando um analisador de tinta para verificar o conteúdo de chumbo da tinta a ser removida. **A TINTA À BASE DE CHUMBO DEVE SER REMOVIDA SOMENTE POR UM PROFISSIONAL E NÃO DEVE SER REMOVIDA USANDO UMA FERRAMENTA DE AR QUENTE.**

GUARDE ESTAS INSTRUÇÕES

1) ÁREA DE TRABALHO

- a) **Mantenha a área de trabalho limpa e iluminada.** As áreas desorganizadas e escuras são um convite aos acidentes.
- b) **Não opere ferramentas em atmosferas explosivas, como na presença de líquidos inflamáveis, gases ou poeira.** As ferramentas criam faíscas que podem inflamar a poeira ou os vapores.
- c) **Mantenha crianças e visitantes afastados ao operar uma ferramenta.** As distrações podem fazer você perder o controle.

2) SEGURANÇA ELÉTRICA

- a) **Os plugues da ferramenta devem ser compatíveis com as tomadas. Nunca modifique o plugue. Não use nenhum plugue adaptador com as ferramentas aterradas.** Os plugues sem modificações aliados a utilização de tomadas compatíveis reduzirão o risco de choque elétrico

- b) **Evite o contato do corpo com superfícies ligadas ao terra ou aterradas tais como as tubulações, radiadores, escalas e refrigeradores.** Há um aumento no risco de choque elétrico se seu corpo for ligado ao terra ou aterramento.
- c) **Não exponha a ferramentas à chuva ou às condições úmidas.** A água entrando na ferramenta aumentará o risco de choque elétrico.
- d) **Não force o cabo elétrico. Nunca use o cabo elétrico para carregar, puxar ou o para desconectar a ferramenta da tomada. Mantenha o cabo elétrico longe do calor, óleo, bordas afiadas ou das partes em movimentos.** Os cabos danificados ou emaranhados aumentam o risco de choque elétrico.
- e) **Ao operar uma ferramenta ao ar livre, use um cabo de extensão apropriado para o uso ao ar livre.** O uso de um cabo apropriado ao ar livre reduz o risco de choque elétrico.

3) SEGURANÇA PESSOAL

- a) **Fique atento, olhe o que você está fazendo e use o bom senso ao operar uma ferramenta. Não use a ferramenta quando você estiver cansado ou sob a influência de drogas, álcool ou de medicamentos.** Um momento de desatenção enquanto opera uma ferramenta pode resultar em grave ferimento pessoal.
- b) **Use equipamento de segurança. Sempre use óculos de segurança.** O equipamento de segurança tais como a máscara contra a poeira, sapatos de segurança antiderrapantes, capacete de segurança, ou protetor auricular usados em condições apropriadas reduzirão os ferimentos pessoais.
- c) **Evite acidente inicial. Assegure que o interruptor está na posição desligada antes de conectar o plugue na tomada.** Carregar a ferramentas com seu dedo no interruptor ou conectar a ferramenta que apresenta o interruptor na posição “ligado” são um convite à acidentes.

- d) **Remova qualquer chave de ajuste antes de ligar a ferramenta.** Uma chave de boca ou de ajuste unida a uma parte rotativa da ferramenta pode resultar em ferimento pessoal.
- e) **Não force além do limite. Mantenha o apoio e o equilíbrio adequado todas as vezes que utilizar a ferramenta.** Isto permite melhor controle da ferramenta em situações inesperadas.
- f) **Vista-se apropriadamente. Não use roupas demasiadamente largas ou jóias.** Mantenha seus cabelos, roupas e luvas longe das peças móveis. A roupa folgada, jóias ou cabelos longos podem ser presos pelas partes em movimento.
- g) **Se os dispositivos são fornecidos com conexão para extração e coleta de pó, assegure que estes estão conectados e usados corretamente.** O uso destes dispositivos pode reduzir riscos relacionados a poeira.

4) USO E CUIDADOS DA FERRAMENTA

- a) **Não force a ferramenta. Use a ferramenta correta para sua aplicação.** A ferramenta correta fará o trabalho melhor e mais seguro se utilizada dentro daquilo para a qual foi projetada.
- b) **Não use a ferramenta se o interruptor não ligar e desligar.** Qualquer ferramenta que não pode ser controlada com o interruptor é perigosa e deve ser reparada.
- c) **Desconecte o plugue da tomada antes de fazer qualquer tipo de ajuste, mudança de acessórios ou armazenamento de ferramentas.** Tais medidas de segurança preventivas reduzem o risco de se ligar a ferramenta acidentalmente.
- d) **Guarde as ferramentas fora do alcance das crianças e não permitam que pessoas não familiarizadas com a ferramenta ou com estas instruções operem a ferramenta.**

As ferramentas são perigosas nas mãos de usuários não treinados.

- e) **Manutenção das ferramentas. Cheque o desalinhamento ou coesão das partes móveis, rachaduras e qualquer outra condição que possa afetar a operação da ferramenta. Se danificada, a ferramenta deve ser reparada antes do uso.** Muitos acidentes são causados pela pobre manutenção das ferramentas.
- f) **Mantenha ferramentas de corte afiadas e limpas.** A manutenção apropriada das ferramentas de corte com lâminas afiadas, tornam estas menos prováveis ao emperramento e são mais fáceis de controlar.
- g) **Use a ferramenta, acessórios, suas partes etc., de acordo com as instruções e na maneira designada para o tipo particular da ferramenta, levando em consideração as condições e o trabalho a ser desempenhado.** O uso da ferramenta em operações diferentes das designadas podem resultar em situações de risco.

5) REPAROS

- a) **Tenha sua ferramenta reparada por um agente de reparos qualificado e que somente use peças originais.** Isto irá assegurar que a segurança da ferramenta seja mantida.

Instruções de segurança adicionais para pistolas de ar quente

- As áreas ocultas como, por exemplo, atrás de paredes, tetos, chãos, e painéis de estuque e de outros materiais podem conter materiais inflamáveis que podem pegar fogo com o ar quente da ferramenta. A ignição destes materiais pode não ser imediata e evidente e pode resultar em danos materiais e lesões corporais.
- Ao trabalhar nestes locais, use a ferramenta de ar quente num movimento de vai-e-vem para frente e para trás. Não pare nem demore num mesmo ponto, pois isso pode fazer com que os

painéis ou os materiais peguem fogo. O calor gerado por um soprador térmico pode chegar a uma temperatura de mais de 1000 o F (cerca de 540o C).

- **NUNCA USE ESTA FERRAMENTA COMO SECADOR DE CABELO.**
- Deixe a ferramenta esfriar antes de guardá-la. Não ponha o soprador térmico sobre uma superfície inflamável quando ela estiver funcionando nem imediatamente depois de desligá-la. Coloque sempre a pistola numa superfície nivelada plana de modo que o bocal fique voltado para cima.
- Sempre use raspadores e outras ferramentas de qualidade para remover a tinta velha.
- Mantenha presos e estáveis os artigos móveis ao remover tinta.
- Nunca obstrua a entrada de ar ou o bocal do aparelho.
- Posicione sempre o jato de ar quente numa direção segura longe de pessoas e de objetos inflamáveis.
- **MANTENHA OS DEDOS LONGE DO BOCAL DE METAL, POIS ELE ESQUENTA MUITO.** Use sempre luvas para proteger suas mãos.
- Não deixe que o bocal toque em nenhuma superfície enquanto o aparelho estiver funcionando nem imediatamente depois que parar de funcionar.
- Evite mexer dentro do bocal.
- Conheça seu local de trabalho. Não esqueça que as áreas atrás de painéis de estuque, tetos e chãos podem conter materiais altamente inflamáveis. Verifique estas áreas antes de aplicar calor sobre elas.
- Tome cuidado, pois as lascas e pequenas partículas de tinta removida podem ser sopradas para dentro dos orifícios e rachaduras na superfície e pegar fogo.
- Limpe a tinta seca do bocal depois de usar o aparelho, pois estas partículas de tinta podem pegar fogo.

- *Limpe freqüentemente a lâmina do raspador durante o uso, para evitar que ela pegue fogo.*
- *Não use seu soprador térmico em combinação com produtos químicos para remover tinta.*
- *Nunca use os bocais adicionais como raspadores.*
- *Mantenha sempre o bocal longe do cabo elétrico do aparelho.*
- *As aberturas de ar muitas vezes cobrem partes móveis do aparelho e devem ser evitadas, pois qualquer roupa frouxa, jóias ou cabelos longos podem ficar presos nas partes móveis.*
- *Fique sempre atento para evitar que a ferramenta incendeie materiais inflamáveis, e amoleça ou derreta outros materiais. Qualquer que seja o trabalho que você está fazendo, proteja estes materiais ou mantenha-os longe da área de trabalho.*
- *Às vezes, é possível notar um pouco de fumaça na ferramenta depois que ela é desligada. Isto acontece como resultado do aquecimento do óleo residual depositado no aquecedor do aparelho durante o processo de fabricação.*
- **Para sua segurança, os cabos de extensão devem ter um calibre adequado (AWG ou American Wire Gauge).** Quanto menor for o calibre do fio, maior será a capacidade do cabo. Isto é, um fio de calibre 16 tem uma capacidade maior do que um fio de calibre 18. Uma extensão de menor calibre causará uma queda de voltagem o que resultará em perda de potência e superaquecimento da ferramenta. Ao usar mais de uma extensão para completar o comprimento total, tenha certeza de que os fios de cada extensão têm pelo menos o calibre mínimo. A tabela a seguir indica o tamanho que deve ser usado em função do comprimento do cabo e da amperagem nominal. Em caso de dúvida, use um fio de maior calibre. Quanto menor o calibre, maior será a capacidade do cabo.

Tensão (Volts)	Comprimento do cabo de extensão em metros (m)			
	120 - 127V	0 - 7	7 - 15	15 - 30
220 - 240V	0 - 15	15 - 30	30 - 60	60 - 100
Faixa de Corrente nominal (Ampères)	Secção mínima do cabo de extensão em milímetros quadrados (mm²)			
0 - 6A	1.0	1.5	1.5	2.5
6 - 10A	1.0	1.5	2.5	4.0
10 - 12A	1.5	1.5	2.5	4.0
12 - 16A	2.5	4.0	Não Recomendado	

⚠ ATENÇÃO: Use sempre uma proteção para os olhos. Todos os usuários e outras pessoas presentes devem usar uma proteção para os olhos em conformidade com a norma ANSI Z87.1.

⚠ ATENÇÃO: Ao trabalhar com esta ferramenta, use sempre uma proteção adequada para seus ouvidos em conformidade com a norma ANSI S12.6 (S3.19). Sob algumas condições e dependendo do tempo de uso contínuo, o ruído produzido pela ferramenta pode contribuir para a perda da audição.

⚠ ATENÇÃO: É possível que uma parte da poeira criada por algumas ferramentas elétricas de lixamento, serragem, esmerilhagem, perfuração e outras atividades de construção contenha substâncias químicas que comprovadamente causam câncer, defeitos congênitos ou problemas reprodutivos. Alguns exemplos desses produtos químicos são:

- chumbo nas tintas à base de chumbo,
- sílica cristalina em tijolos, cimento e outros produtos de alvenaria, e
- arsênio e cromo em madeiras tratadas quimicamente com CCA (arseniato de cobre cromatado).

O risco de exposição a esses produtos varia dependendo da frequência de execução desse tipo de trabalho. A fim de reduzir sua exposição a essas substâncias químicas: trabalhe em áreas bem ventiladas e usando equipamentos de segurança aprovados como, por exemplo, máscaras contra pó fabricadas especialmente para impedir a passagem de partículas microscópicas.

⚠ ATENÇÃO: USE SEMPRE ÓCULOS DE SEGURANÇA. Seus óculos de uso diário NÃO são óculos de segurança. Além disso, caso o trabalho de corte possa criar muito pó, use sempre uma máscara facial ou máscara contra pó. Todos os usuários e outras pessoas presentes DEVEM SEMPRE usar equipamentos de segurança certificados:

- Proteção para os olhos ANSI Z87.1 (CAN/CSA Z94.3),
 - Proteção para os ouvidos ANSI S12.6 (S3.19),
 - Proteção respiratória NIOSH/OSHA/MSHA.
- A etiqueta de sua ferramenta pode incluir os seguintes símbolos. As definições de cada um deles são as seguintes:
- | | |
|--------------------------------|--|
| V..... volts | A ampères |
| Hz hertz | W watts |
| min.....minutos | ~ corrente alternada |
| ====corrente contínua | n _onenhuma velocidade |
| ⚠..... Construção de Classe I | ⊕.....de carga terminal |
| (aterrado) | de aterramento |
| ▣..... Construção de Classe II | ⚠símbolo de alerta de |
| (isolamento duplo) | segurança |
| BPM.....batidas por minuto | .../min...revoluções ou |
| sfpm....pés de área | reciprocção |
| por minuto (sfpm) | por minuto |

AVISO IMPORTANTE

Para que esta ferramenta seja um removedor de tinta eficaz, ela deve produzir temperaturas extremamente altas. Por isso, ela é capaz de incendiar papel, madeira, tinta, resíduos de verniz e outros materiais semelhantes.

À medida que você conhecer melhor sua ferramenta e adquirir a técnica correta, o perigo de incêndio acidental será reduzido consideravelmente. A melhor maneira de aprender a técnica correta é PRATICAR! Trabalhe em projetos simples de remoção de tinta, de preferência ao ar livre, até descobrir o melhor jeito de usar seu removedor de tintas da maneira mais segura e eficaz.

AO PRATICAR, SIGA OS SEGUINTE PROCEDIMENTOS DE SEGURANÇA:

- Verifique sempre se a ferramenta está desligada e desconectada da alimentação elétrica quando não está em uso.
- Limpe frequentemente a lâmina de raspador durante o uso. Os resíduos que se acumulam na lâmina são altamente inflamáveis.
- Experimente até encontrar a melhor distância entre o bocal da ferramenta e a superfície onde a tinta está sendo removida. Esta distância é geralmente entre 50,8 mm e 25,4 mm, mas pode variar, dependendo do produto sendo removido.
- Mantenha sempre o soprador térmico à frente da lâmina do raspador ao trabalhar.
- Ao trabalhar, limpe as lascas de tinta caídas à medida que elas forem se acumulando na área de trabalho.
- Ao trabalhar num recinto fechado, fique longe de cortinas, papéis, tapetes, móveis estofados, carpetes e outros materiais inflamáveis semelhantes.
- Acima de tudo, não esqueça que este aparelho é uma ferramenta de uso profissional capaz de produzir resultados excelentes quando usada corretamente. Pratique em projetos

simples até que você conheça bem seu removedor de tinta. Só assim você poderá aprender a técnica correta.

OS INDIVÍDUOS QUE REMOVEM TINTA DEVEM SEMPRE SEGUIR ESTAS RECOMENDAÇÕES:

- *Leve a peça a ser trabalhada para o ar livre. Caso isto não seja possível, mantenha a área de trabalho bem ventilada. Abra as janelas e coloque um exaustor de ar numa janela. Assegure-se de que se o exaustor está retirando o ar de dentro para fora do aposento.*
- *Retire do aposento ou cubra todos os tapetes, carpetes, móveis, utensílios de cozinha, e tubos de ventilação.*
- *Coloque panos na área de trabalho para acumular as lascas de tinta que caem. Use roupas protetoras como, por exemplo, camisas de trabalho extras, macacão e chapéus.*
- *Trabalhe em um aposento de cada vez. Remova todos os móveis ou coloque-os no centro do aposento e cubra-os. Isole as áreas trabalhadas do resto da casa colocando panos nas portas e passagens.*
- *As crianças, mulheres grávidas ou mulheres que talvez estejam grávidas e as mães em período de amamentação não devem estar presentes na área de trabalho até que o trabalho seja terminado e a área tenha sido completamente limpa.*
- *Use uma máscara contra pó ou um filtro de respiração duplo (para pó e fumaça) aprovado pelos órgãos de segurança de seu país.. Estas máscaras e filtros substituíveis estão facilmente disponíveis nas grandes lojas de ferragem. Assegure-se de que sua máscara esteja bem ajustada. As barbas e pelos do rosto podem impedir que a máscara seja ajustada corretamente. Mude o filtro freqüentemente. **AS MÁSCARAS DE PAPEL DESCARTÁVEIS NÃO SÃO ADEQUADAS.***
- *Use precaução ao operar o soprador térmico. Mantenha a pistola em movimento, pois o calor excessivo criará vapores que podem ser inalados pelo operador do aparelho.*

- *Mantenha alimentos e bebidas longe da área de trabalho. Lave sempre as mãos, os braços e o rosto e enxágüe a boca antes de comer ou beber. Não fume nem masque goma de mascar nem tabaco na área de trabalho.*
- *Limpe toda a tinta removida e o pó criado pelo trabalho usando um esfregão molhado para limpar o chão. Use um pano molhado para limpar todas as paredes, soleiras e qualquer outra superfície onde a tinta ou o pó de tinta tenham ficado agarrados. **NÃO USE VASSOURA, ESPANADOR NEM ASPIRADOR DE PÓ.** Use um detergente com alto teor de fosfato ou fosfato trissódico (TSP) para lavar e esfregar as áreas de trabalho.*
- *Ao terminar cada período de trabalho, coloque as lascas e resíduos de tinta num saco plástico duplo, feche-o bem e jogue-o fora de maneira segura.*
- *Remova as roupas protetoras e sapatos de trabalho na área de trabalho para evitar levar pó para o resto da casa. Lave as roupas de trabalho separadamente. Esfregue os sapatos com um pano úmido para limpá-los e lave em seguida o pano usado com as roupas de trabalho. Lave os cabelos e o corpo completamente com sabão e água.*

GUARDE ESTAS INSTRUÇÕES PARA USO FUTURO

Especificações

Voltagem	120 V / 127 V	220 V
Alimentação elétrica	1550 W	2000 W
Faixa de temperatura do ar (no bocal)	122–752°F e 122–1112°F (50–400°C e 50–600°C)	
Peso	60 g (0,4 lbs)	

DESCRIÇÃO (Fig. 1)

⚠ ATENÇÃO: Nunca altere a ferramenta elétrica nem nenhuma de suas peças, pois isto poderia provocar danos materiais e lesões corporais.

USO DEVIDO DA FERRAMENTA

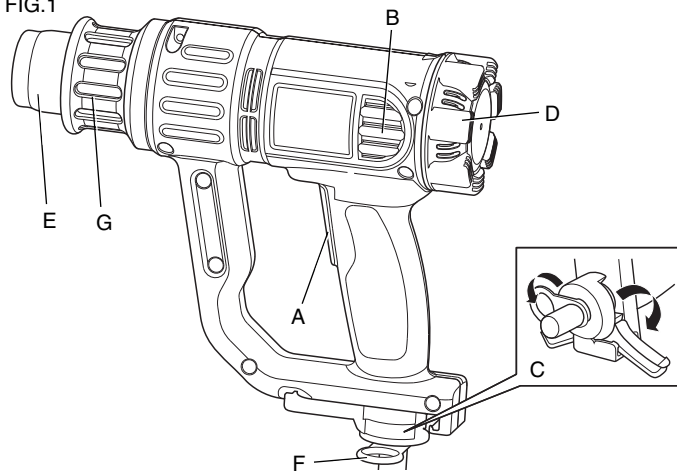
Seu soprador térmico DEWALT D26411 foi fabricada para remover tinta, soldar tubulações, encolher PVC, soldar e dobrar plásticos como também para trabalhos gerais de secagem e descongelamento.

NUNCA use a ferramenta em condições úmidas ou na presença de líquidos ou gases inflamáveis.

O soprador térmico é uma ferramenta elétrica de uso profissional.

NUNCA deixe que nenhuma criança se aproxime da ferramenta nem brinque com ela. Os usuários que não tenham experiência com esta ferramenta devem sempre ser supervisionados.

FIG.1



- | | |
|--|-------------------------------------|
| A. Interruptor Liga/Desliga | E. Bocal |
| B. Aberturas para ventilação | F. Anel para suspender a ferramenta |
| C. Base | G. Cobertura do cilindro |
| D. Controle giratório da temperatura do ar | |

MONTAGEM E AJUSTES

⚠ ATENÇÃO: A fim de reduzir o risco de lesões corporais, sempre desligue o aparelho e retire-o da alimentação elétrica antes de instalar ou remover acessórios e antes de fazer um ajuste.



Como ajustar a temperatura do ar (Fig. 1)

A temperatura do ar pode ser ajustada para muitos usos diferentes. Gire o botão de controle de temperatura do ar (D) para a direita ou esquerda para aumentar ou diminuir o calor. A tabela a seguir apresenta as temperaturas sugeridas para diferentes usos.

Temperatura	Uso
Baixa	<ul style="list-style-type: none"> • Secar tintas e vernizes • Remover etiquetas • Encerar e remover cera • Secar madeira molhada antes de trabalhos de enchimento • Encolher peças de PVC e tubos de isolamento • Descongelar tubos
Média	<ul style="list-style-type: none"> • Soldar plásticos • Dobrar tubos e folhas de plástico • Folgar parafusos e porcas enferrujados ou muito apertados
Alta	<ul style="list-style-type: none"> • Remover tintas e esmaltes • Soldar juntas de encanamento

COMO PRENDER O ACESSÓRIO CORRETO

Esta ferramenta é fornecida com um jogo de acessórios para usos diferentes.

Ícone	Descrição	Uso
	Bocal cônico de 20°	Soldar, encolher (calor concentrado numa pequena área)
	Bocal de rabo de peixe de 50 mm	Secar, descongelar (calor espalhado numa grande área)

1. Assegure-se de que o interruptor Liga/Desliga (A) esteja na posição "O" e que a ferramenta esteja desligada da fonte de alimentação. Assegure-se de que o bocal já esfriou.
2. Coloque o acessório desejado no bocal.

COMO USAR O APARELHO

⚠ ATENÇÃO: ASSEGURE-SE de que o bocal esteja sempre voltado para longe de você e para longe de qualquer outra pessoa presente.

⚠ ATENÇÃO: NÃO DEIXE nenhum objeto cair dentro do bocal.

FIG. 2

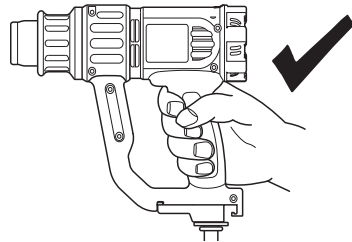
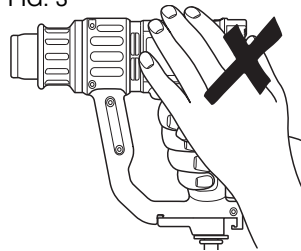


FIG. 3



⚠ ATENÇÃO: Use somente uma mão para segurar a ferramenta tal como mostrado na Figura 2. Nunca coloque sua outra mão em cima das aberturas de ventilação (Fig. 3).

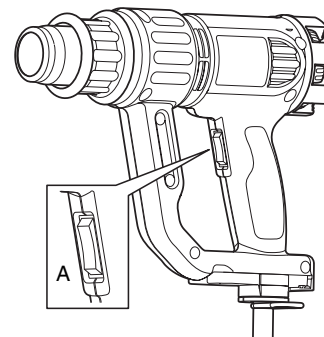
ANTES DE COMEÇAR A USAR A FERRAMENTA

1. Prenda o acessório correto recomendado para o uso.
2. Gire o controle de temperatura do ar (D) para a temperatura desejada.

Como ligar e desligar o aparelho (Fig. 4)

1. Empurre o interruptor Liga/Desliga (A) para a posição de fluxo de ar desejada:
I: 240 litros/min [122–752°F (50°C–400°C)]
Fluxo de ar baixo para aquecer lentamente a peça a ser trabalhada.
II: 450 litros/min [122–1112°F (50°C–600°C)]
Fluxo de ar alto para aquecer rapidamente a peça a ser trabalhada.
2. Para desligar a ferramenta, empurre o interruptor Liga/Desliga (A) para a posição "O". Desconecte a ferramenta da fonte de alimentação elétrica e deixe a ferramenta esfriar antes de transportá-la ou guardá-la.

FIG. 4



Como remover tinta

⚠ ATENÇÃO: Leia o Aviso Importante na seção Instruções de Segurança Adicionais para Pistolas de Ar Quente antes de usar a ferramenta para remover tinta.

⚠ ATENÇÃO: Não use esta ferramenta para remover tinta de quadros de janela de metal, pois o calor pode rachar o vidro.

- Ao remover a tinta de outros tipos de janela, use o bocal de proteção para vidro.
- A fim de evitar que a superfície pegue fogo, não mantenha a ferramenta voltada para um mesmo ponto durante muito tempo.
- Não deixe que a tinta se acumule no acessório de raspagem, pois ela pode pegar fogo. Caso necessário, remova cuidadosamente os resíduos de tinta do acessório de raspagem usando uma faca.

1. Prenda o acessório correto para o trabalho.
2. Gire o controle de temperatura do ar (D) para a posição de temperatura alta.
3. Ligue a ferramenta selecionando o fluxo de ar desejado.
4. Posicione o jato de ar quente sobre a tinta a ser removida.

Para obter os melhores resultados, recomendamos que o soprador térmico seja movido lentamente, mas CONTINUAMENTE, de um lado para o outro a fim distribuir uniformemente o calor. NÃO DEMORE NEM PAUSE SOBRE UM MESMO PONTO.

5. Quando a tinta amolecer, raspe a tinta usando um raspador manual.

NÃO ESQUEÇA: As lascas e pequenas partículas de tinta removida podem pegar fogo e serem sopradas para dentro de orifícios e rachaduras na superfície sendo trabalhada.

Como usar seu aparelho como ferramenta fixa (Fig. 1)

Este aparelho também pode ser usado como ferramenta fixa.

1. Dobre a base (C) tal como mostrado na Figura 1.
2. Prenda a ferramenta numa bancada de trabalho nivelada e estável. Assegure-se de que a ferramenta não cairá.
3. Prenda o cabo elétrico para evitar que alguém ou você mesmo se embarace nele ou puxe acidentalmente a ferramenta para fora da bancada de trabalho.
4. Ligue a ferramenta selecionando o fluxo de ar desejado.

Controle de calor constante (proteção contra sobrecarga)

Quando a ferramenta fica sobrecarregada, esta função protege o elemento de aquecimento contra danos sem fazer com que a ferramenta pare e/ou sem exigir um período de resfriamento.

1. Quando a ferramenta se esquentar demasiadamente, o elemento de aquecimento se desliga automaticamente. O motor continuará funcionando e a produzir ar frio.
2. Quando a ferramenta tiver esfriado suficientemente (isto leva somente alguns segundos) o elemento de aquecimento se ligará automaticamente.

Anel para suspender a ferramenta (Fig. 1)

⚠ ATENÇÃO: SEMPRE desligue o soprador térmico, desconecte-o da fonte de alimentação elétrica e deixe-a esfriar durante pelo menos 30 minutos antes de transportá-lo ou guardá-lo.

Para facilitar o armazenamento do aparelho, é possível pendurá-lo pelo anel (F). O soprador térmico deve ser armazenado num recinto fechado.

Período de resfriamento

O bocal e os acessórios se aquecem muito durante o uso. Desligue o soprador térmico, desconecte-o da fonte de alimentação elétrica e deixe-a esfriar durante pelo menos 30 minutos antes de transportá-lo ou guardá-lo.

NOTA: Para diminuir o tempo de resfriamento, ligue a pistola na temperatura de ar mais baixa e deixe-a funcionar durante alguns minutos antes de desligá-la.

MANUTENÇÃO

⚠ATENÇÃO: *Para reduzir o risco de lesões graves, desligue a ferramenta e desligue o plugue da rede de alimentação antes de proceder a quaisquer ajustes ou de remover/installar instrumentos ou acessórios. Um arranque acidental pode causar lesões.*

Esta ferramenta elétrica DEWALT foi concebida para o servir durante muito tempo com um mínimo de manutenção. Um funcionamento satisfatório e longo depende de cuidados adequados e de uma limpeza regular.

Lubrificação

Esta ferramenta elétrica não requer lubrificação adicional.

Limpeza

⚠ATENÇÃO: *Injete ar seco para retirar a sujeira e o pó do alojamento principal, sempre que notar uma acumulação de sujeira nos respiradores ou em torno dos mesmos. Utilize uma proteção adequada para os olhos e uma máscara para o pó quando realizar esta operação.*

⚠ATENÇÃO: *Nunca utilize solventes ou outros químicos agressivos para limpar as partes não metálicas da ferramenta. Estes químicos podem enfraquecer os materiais utilizados nestas partes. Utilize um pano humedecido apenas com água e detergente suave. Nunca permita que entre nenhum líquido na ferramenta; nunca mergulhe qualquer parte da ferramenta em líquido.*

Acessórios

⚠ATENÇÃO: *Uma vez que os acessórios que não sejam os disponibilizados pela DEWALT não foram testados com este produto, a utilização de tais acessórios nesta ferramenta poderá ser perigosa. Para reduzir o risco de lesão, deverão utilizar-se apenas os acessórios recomendados pela DEWALT com este produto.*

Consulte o seu revendedor para mais informações acerca dos acessórios adequados.

SOLAMENTE PARA PROPÓSITO DE ARGENTINA:
IMPORTADO POR: BLACK & DECKER ARGENTINA S.A.
PACHECO TRADE CENTER
COLECTORA ESTE DE RUTA PANAMERICANA
KM. 32.0 EL TALAR DE PACHECO
PARTIDO DE TIGRE
BUENOS AIRES (B1618FBQ)
REPÚBLICA DE ARGENTINA
NO. DE IMPORTADOR: 1146/66
TEL. (011) 4726-4400

SOLAMENTE PARA PROPÓSITO DE MÉXICO:
IMPORTADO POR: BLACK & DECKER S.A. DE C.V.
BOSQUES DE CIDROS, ACCESO RADIATAS NO. 42
3A. SECCIÓN DE BOSQUES DE LAS LOMAS
DELEGACIÓN CUAJIMALPA,
05120, MÉXICO, D.F.
TEL. (52) 555-326-7100
R.F.C.: BDE810626-1W7

IMPORTED BY/IMPORTADO POR:
BLACK & DECKER DO BRASIL LTDA.
ROD. BR 050, S/Nº - KM 167
DIST. INDUSTRIAL II
UBERABA – MG – CEP: 38064-750
CNPJ: 53.296.273/0001-91
INSC. EST.: 701.948.711.00-98
S.A.C.: 0800-703-4644

MAQUINAS Y HERRAMIENTAS BLACK & DECKER CHILE S.A.
AVDA. EDUARDO FREI M. #6001 EDIFICIO 67
CONCHALI-SANTIAGO
CHILE

HECHO EN CHINA
FABRICADO NA CHINA
MADE IN CHINA

DEWALT Industrial Tool Co., 701 East Joppa Road, Baltimore, MD 21286
(OCT08) Part No. N017533 D26411 Copyright © 2008 DEWALT

The following are trademarks for one or more DEWALT power tools: the yellow and black color scheme; the “D” shaped air intake grill; the array of pyramids on the handgrip; the kit box configuration; and the array of lozenge-shaped humps on the surface of the tool.