

GSM-EAA External Antenna Accessory – Quick Installation Guide

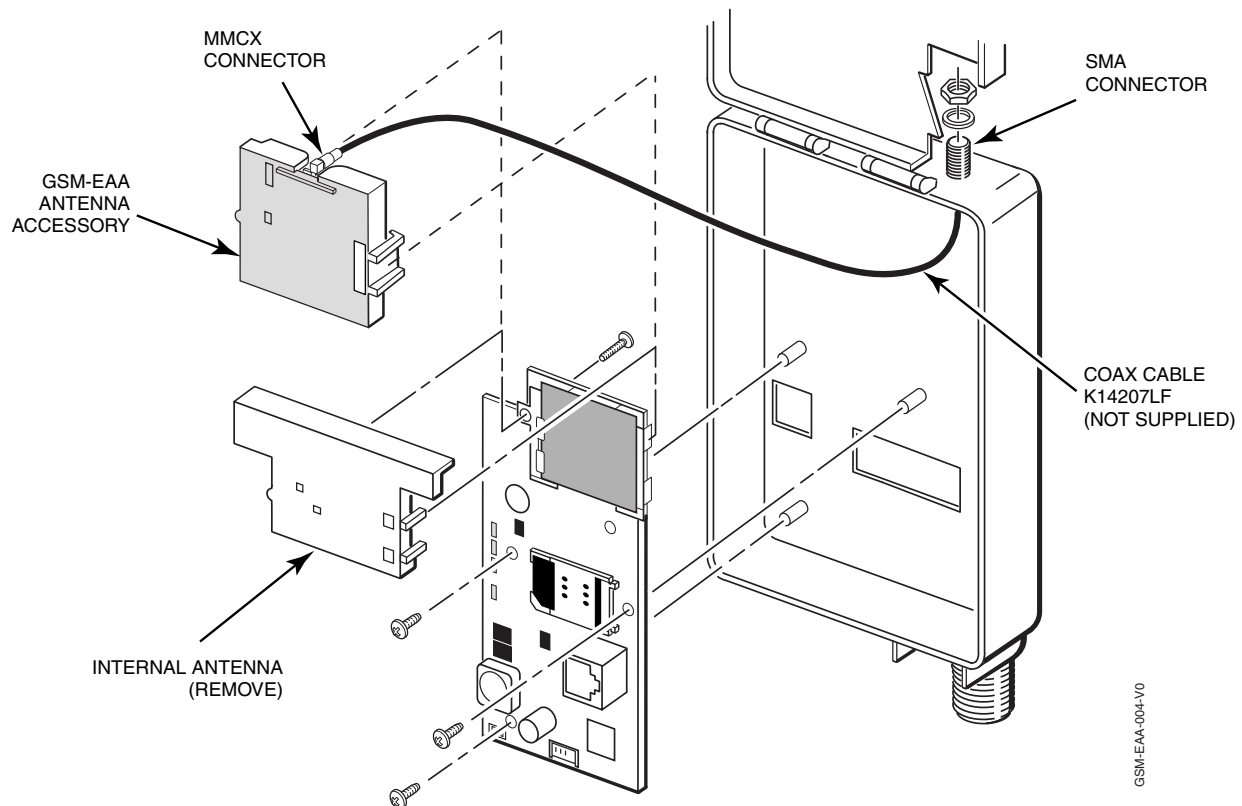
For Online Support visit: <http://www.security.honeywell.com/hsc/resources/MyWebTech/>

INTRODUCTION:

The Honeywell GSM-EAA External Antenna Accessory (referred to as the Antenna Accessory) enables the GSMX and GSMVLP products to use an external antenna. Coax Cable K14207LF is required for any external antenna. This cable is not included with the Antenna Accessory.

Installation Instructions for the GSMX

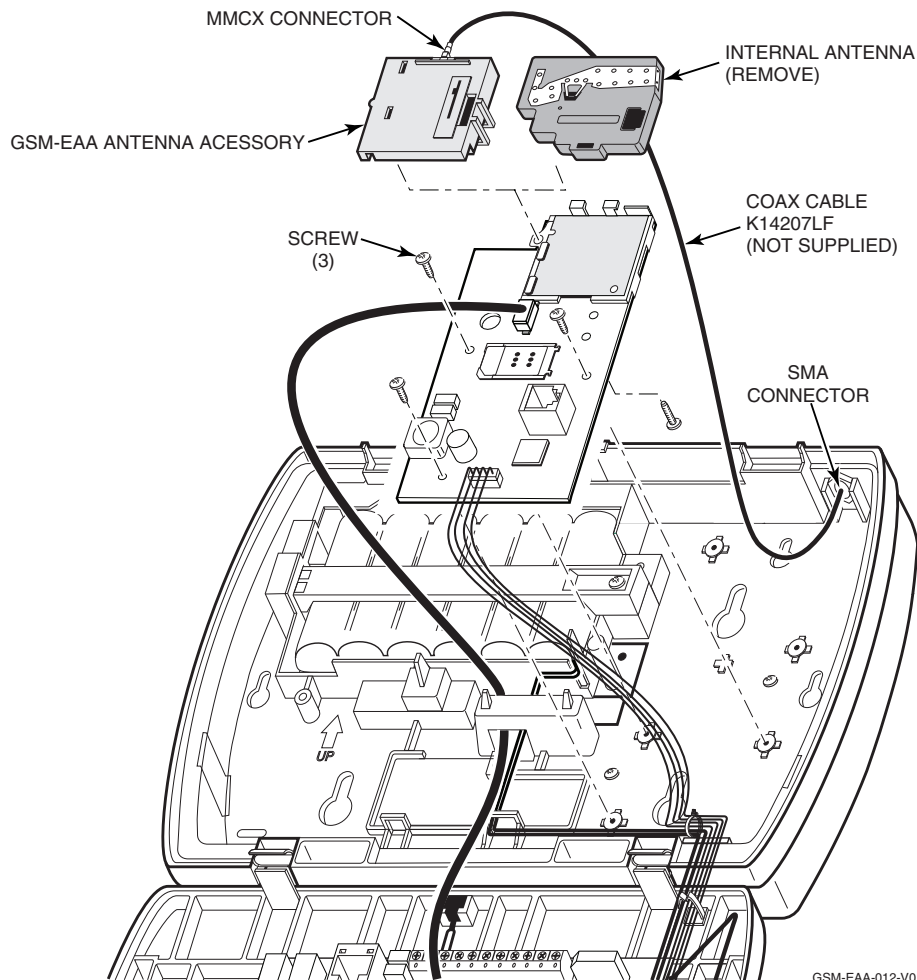
1. Open the cover. Ensure power is removed by disconnecting the ECP cable. Refer to diagram below.
Note: If the MAC/SIM label was placed on the internal antenna, carefully peel this off, and place on the enclosure where it would be visible.
2. Remove three [3] screws that secure the PC board, and lift out.
3. From the back of the PC board, remove one [1] screw that secures the antenna, then remove the internal antenna.
4. From the front of the PC board, orient the hook on the Antenna Accessory over the right side of the PC board and swing it into position.
5. From the back of the PC board, fasten the Antenna Accessory with the screw provided (long).
6. Remove the plug at the top of the enclosure.
7. Attach the MMCX end of the coax cable to the Antenna Accessory ensuring the connector snaps into position.
8. Route the SMA end of the coax cable to the hole at the top of the enclosure, and secure with the lock washer and nut.
9. Replace the PC board into the enclosure, and fasten with three [3] short screws.
10. Connect the ECP cable.
11. Close the GSMX cover and secure with screw. Attach an external antenna.



GSM-EAA-004-V0

Installation Instructions for the GSMVLP

1. Using a medium blade screwdriver, release the control's front case assembly from the rear case by depressing the two locking tabs at the top of the unit.
2. Ensure power is removed by disconnecting the ECP cable and Audio cable (if equipped).
Note: If the MAC/SIM label was placed on the internal antenna, carefully peel this off, and place on the enclosure where it would be visible.
3. Remove three [3] screws that secure the PC board, and lift out.
4. From the back of the PC board, remove one [1] screw that secures the antenna, then remove the internal antenna.
5. From the front of the PC board, orient the hook on the Antenna Accessory over the right side of the PC board and swing it into position.
6. From the back of the PC board, fasten the Antenna Accessory with the screw provided (long).
7. Remove the plug at the top of the enclosure.
8. Attach the MMCX end of the coax cable to the Antenna Accessory ensuring the connector snaps into position.
9. Route the SMA end of the coax cable to the hole at the top of the enclosure, and secure with the lock washer and nut.
10. Replace the PC board into the enclosure, and fasten with three [3] short screws.
11. Connect the ECP and Audio cable (if equipped).
12. Ensure the coax cable is neatly routed. Ensure all cables are positioned so they do not get crushed when the enclosure is closed.
13. Close the control's enclosure ensuring the two halves snap into place. Attach an external antenna.



WARRANTY For the latest warranty information go to: <http://www.security.honeywell.com/hsc/resources/wa/>



800-06087 3/10 Rev. A

Honeywell

2 Corporate Center Drive, Suite 100
P.O. Box 9040, Melville, NY 11747

Copyright © 2010 Honeywell International Inc.
www.honeywell.com/security