



# SERVICE PARTS LIST

BUL. 54-08-1076

1/2" ELECTRIC DRILL

REVISED BUL 54-08-1075 DATE June '71

Catalog No. 1000-1

Starting Serial No. 126-32055

WIRING INSTR. 58-01-0211

Both Model and Serial No. must be furnished to obtain correct parts.

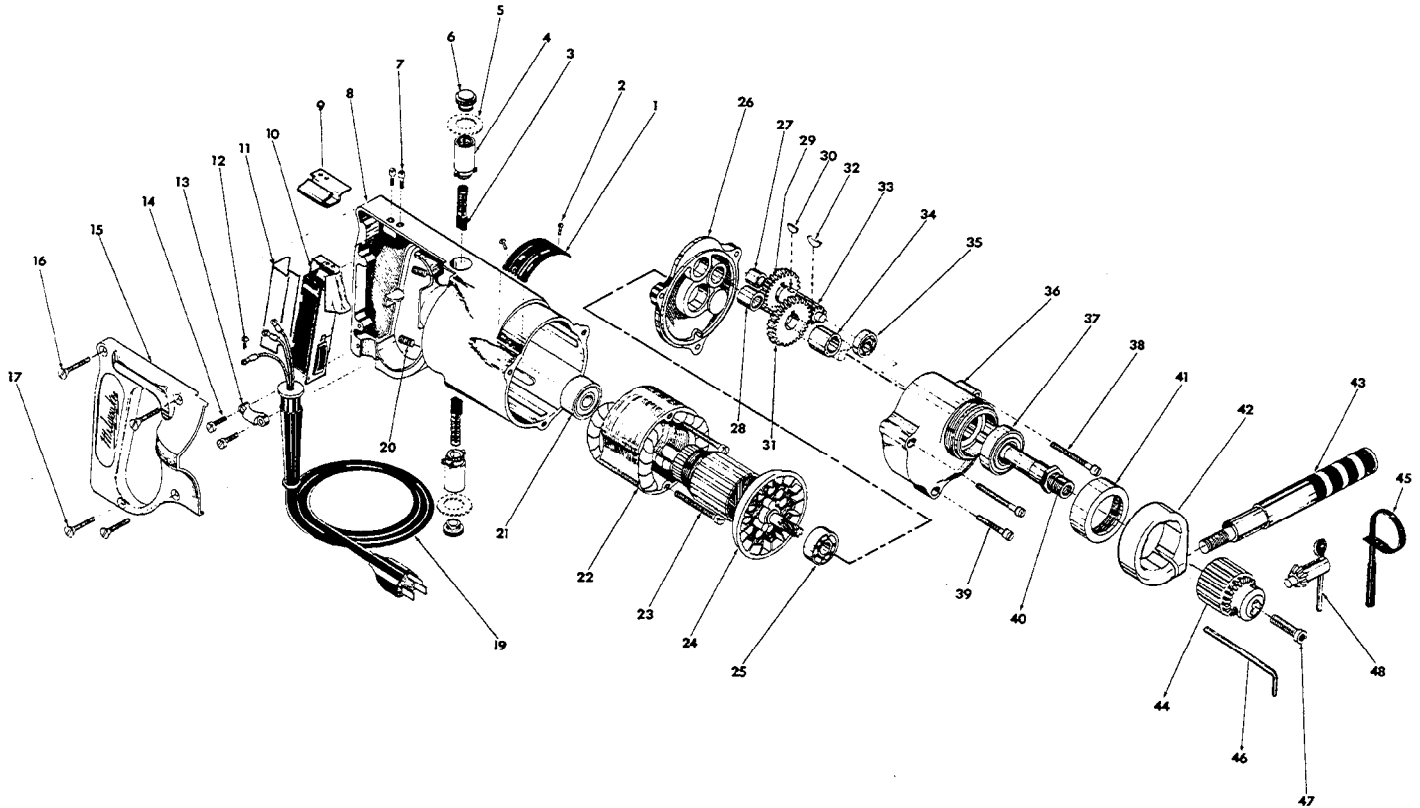


FIG.	PART NO.	DESCRIPTION OF PART	NO.REQ.
	1	Name Plate	
★	2	6x1/4 Rd. Hd. Type Z Screws	(2)
	3	Carbon Brush Assy.	(2)
	4	Brush Holder Assy.	(2)
	5	Brush Holder Insul. Washer	(2)
	6	Brush Retaining Screw	(2)
	7	6-32x5/16 Fil.Hd. Sem Sw. Mtg. Scrs.	(2)
	8	Motor Housing Assy. (Incl. Items 15,16&17)	
	9	Wire Clamp	
★	10	Switch	
★	11	Switch Insulator	
	12	6-32x1/4 Ground Screw	
	13	Cord Clamp	
	14	8-32x1/2 Fil.Hd.Sem Cord Clamp Scr.	(2)
	15	Handle Cover	
	16	8-32x1 Oval Hd. Handle Cover Scrs.	(2)
	17	8-32x7/8 Oval Hd. Handle Cover Scrs.	(2)
	19	Cord Set	
	20	1/4-20x3/8 Hd'less Brush Holder Set Scrs.(2)	
	21	Ball Bearing (Comm. End)	
	22	Field Assy.	
	23	8-32x1-3/4 Fil. Hd. Sem Field Scrs.	(2)
	24	Armature Assy.	

FIG.	PART NO.	DESCRIPTION OF PART	NO.REQ.
	25	Ball Bearing (Pinion End)	
	26	Diaphragm	
	27	Needle Bearing	
	28	Needle Bearing	
	29	Intermediate Gear	
	30	Woodruff Key	
	31	Spindle Gear	
	32	Woodruff Key	
	33	Intermediate Pinion Shaft	
	34	Spindle Gear Spacer	
	35	Ball Bearing	
	36	Gear Case	
	37	Ball Bearing	
	38	8-32x1-3/4 Fil.Hd.Sem Gear Case Scrs. (2)	
	39	8-32x1 Fil. Hd. Sem Gear Case Scr.	
	40	Spindle	
	41	Bearing Cap	
	42	Handle Ring	
	43	Handle	
	44	Chuck	
	45	Key Holder	
	46	3/16 Socket Wrench	
	47	1/4-20x1 L.H. Allen Hd. Chuck Scr.	
	48	Chuck Key	

NOTE

To Order Replacement Jaw and Nut Unit For Chuck, Order Part No. 43-90-0160