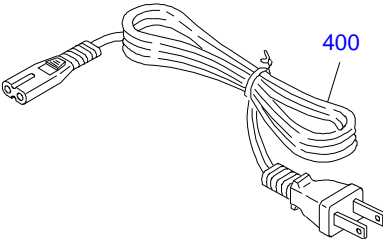
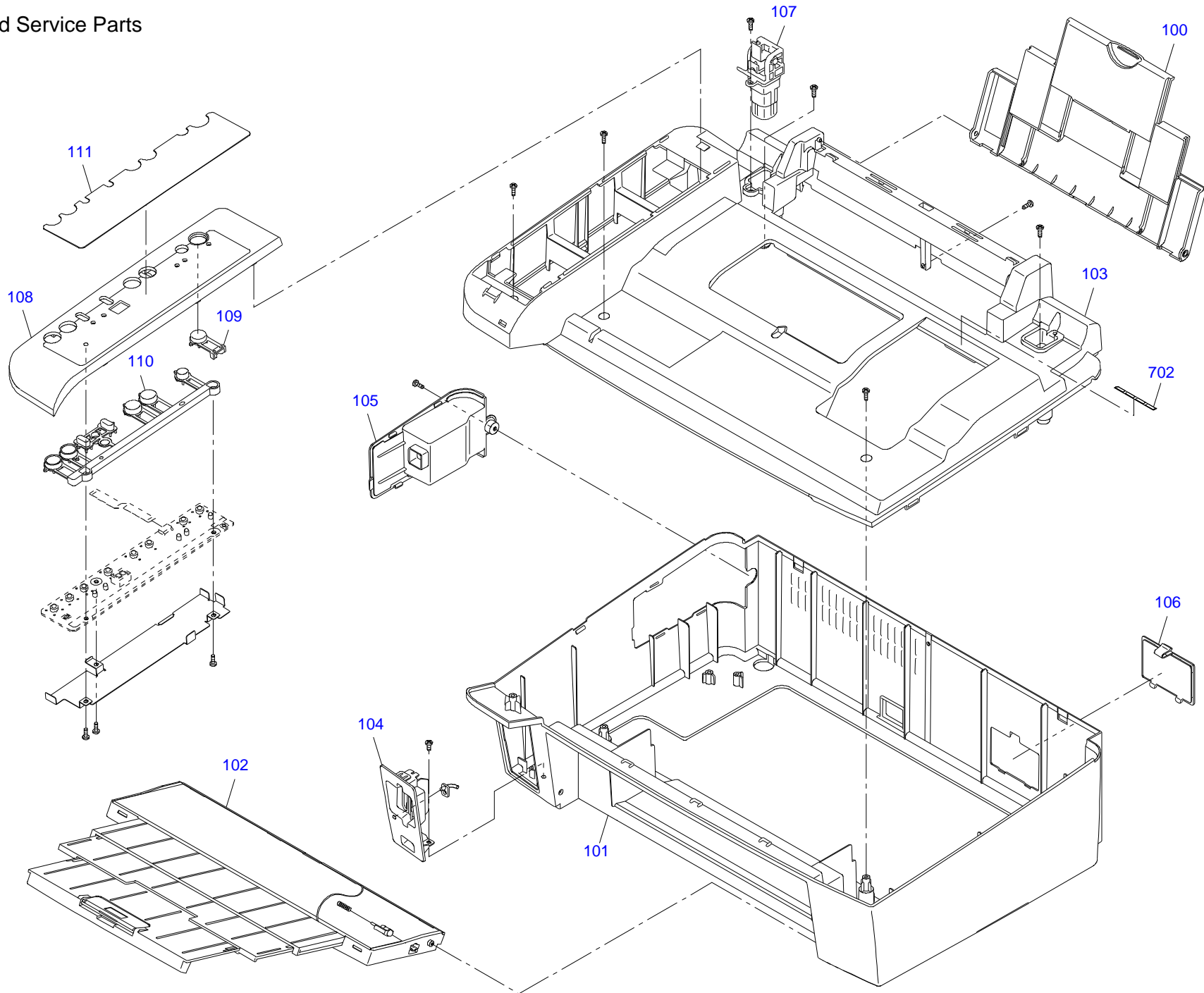


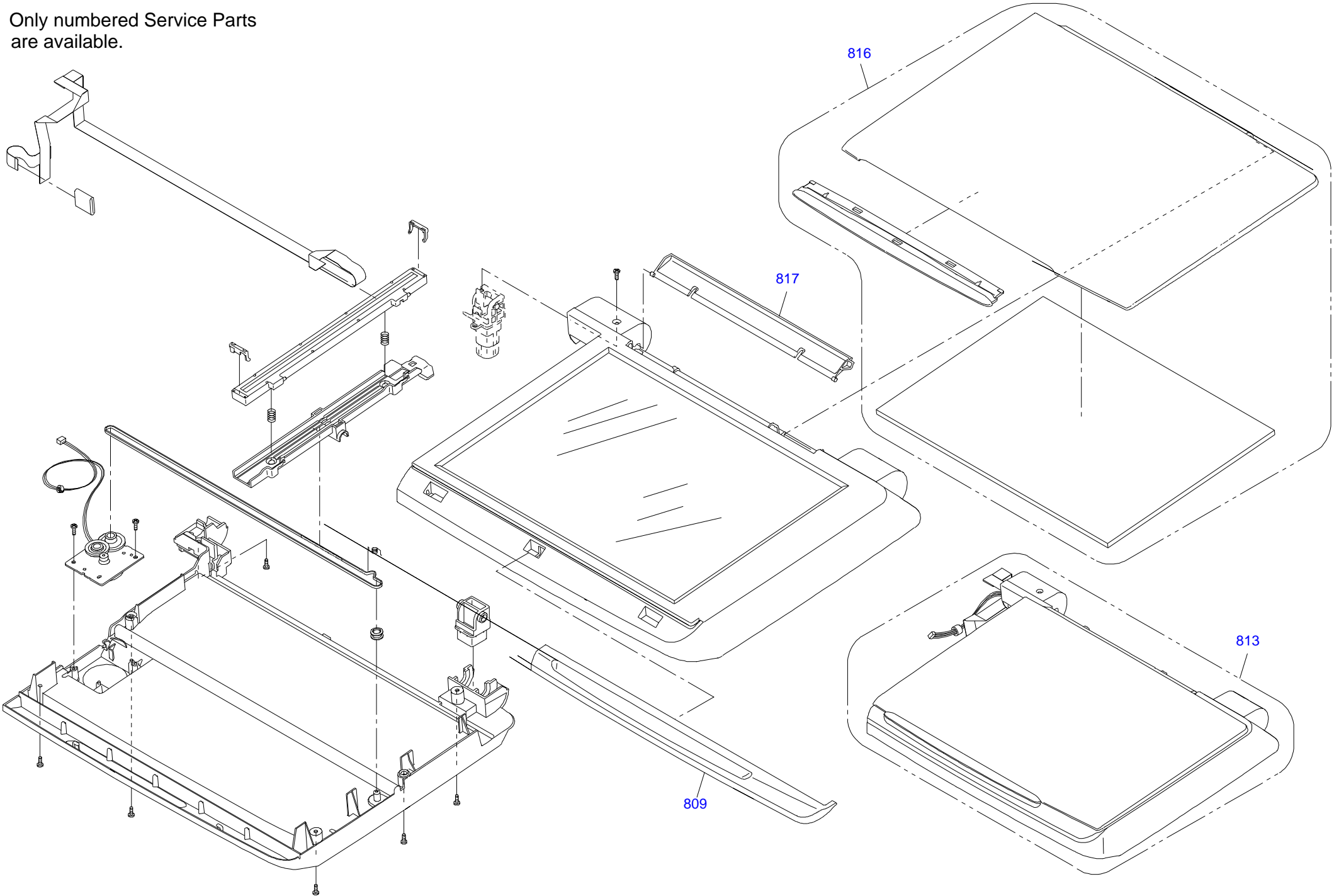
Only numbered Service Parts  
are available.



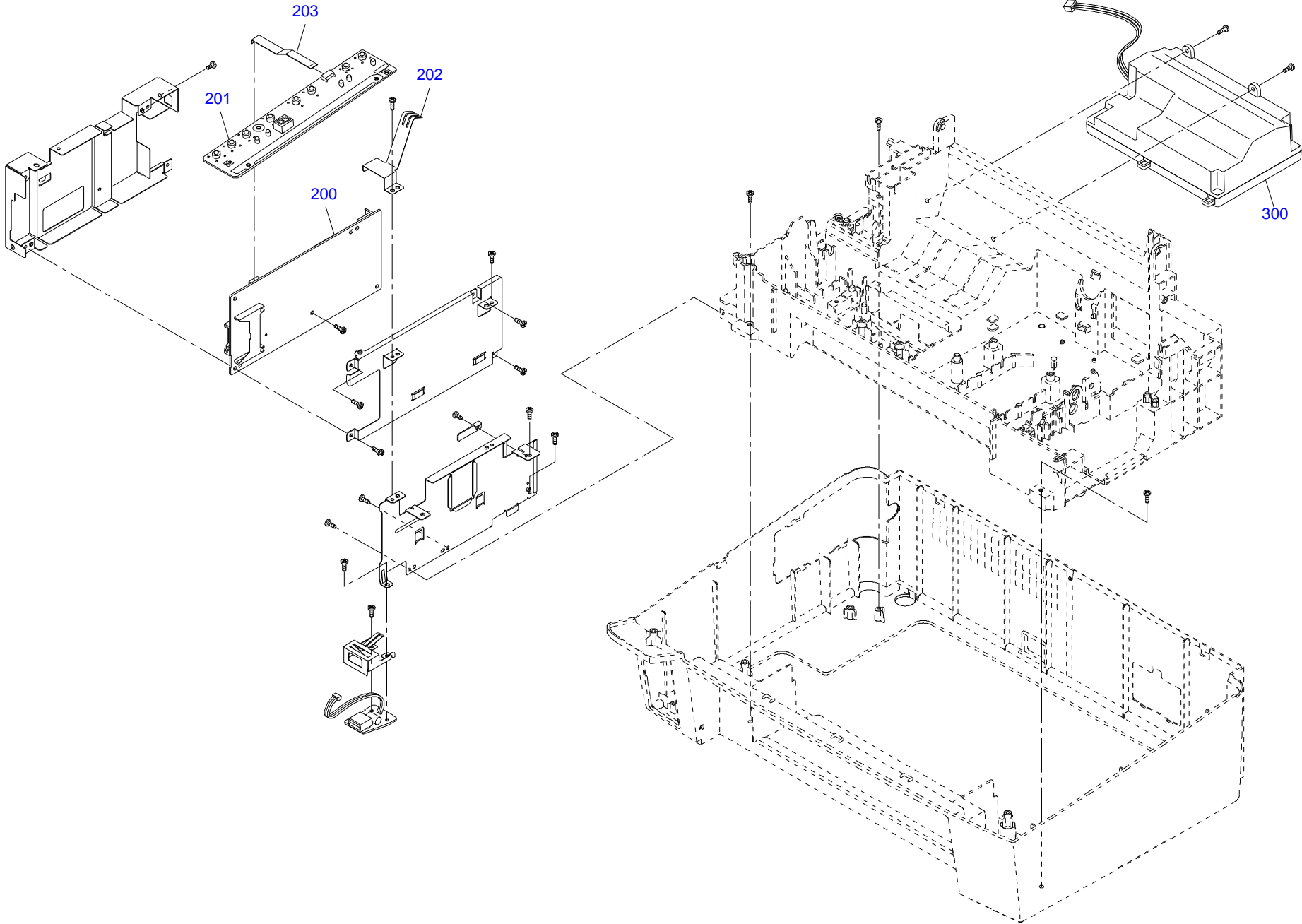
Only numbered Service Parts  
are available.



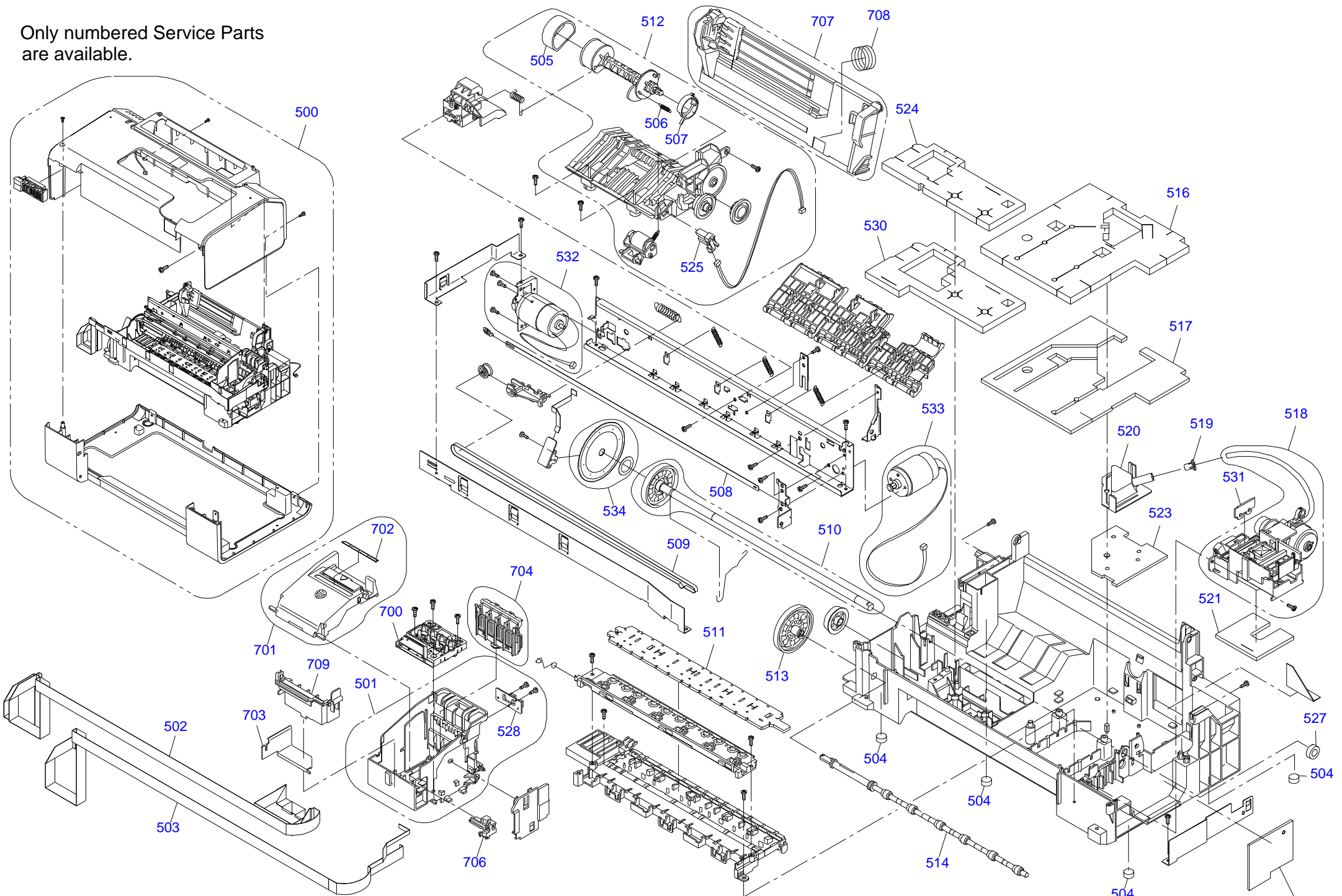
Only numbered Service Parts  
are available.



Only numbered Service Parts  
are available.



Only numbered Service Parts are available.



EPSON STYLUS NX200/SX200/SX205/TX200/TX203/TX209

No.5

Rev.01

CA21-MECH-011

535

Part Code	Part Name	Ref No.	Category	Qty	Remark
<a href="#">2107706</a>	POWER CABLE	<a href="#">400</a>	Accessories	1	
<a href="#">1495050</a>	INK CART.UNBOXED,BK-S2,PIG'T;H28FA/AN, AS	<a href="#">NON FIG</a>	Accessories	1	
<a href="#">1495051</a>	INK CART.UNBOXED,C-S3,PIG'T;H28FA/AN,AS	<a href="#">NON FIG</a>	Accessories	1	
<a href="#">1495052</a>	INK CART.UNBOXED,M-S3,PIG'T;H28FA/AN,AS	<a href="#">NON FIG</a>	Accessories	1	
<a href="#">1495053</a>	INK CART.UNBOXED,Y-S3,PIG'T;H28FA/AN,AS	<a href="#">NON FIG</a>	Accessories	1	
<a href="#">3103270</a>	SOFTWARE CD,CISMEA	<a href="#">NON FIG</a>	Accessories	1	
<a href="#">4113870</a>	SETTING UP MANUAL	<a href="#">NON FIG</a>	Accessories	1	
<a href="#">4113890</a>	USER'S GUIDE	<a href="#">NON FIG</a>	Accessories	1	
<a href="#">4113891</a>	USER'S GUIDE	<a href="#">NON FIG</a>	Accessories	1	
<a href="#">1487941</a>	PAPER SUPPORT ASSY;CA21;EPPI	<a href="#">100</a>	Case	1	
<a href="#">1460734</a>	HOUSING,LOWER	<a href="#">101</a>	Case	1	
<a href="#">1487946</a>	STACKER ASSY;CA21;EPPI	<a href="#">102</a>	Case	1	
<a href="#">1460786</a>	HOUSING,UPPER	<a href="#">103</a>	Case	1	
<a href="#">1487956</a>	COVER CARD SLOT ASSY;CA21;ASP;EPPI	<a href="#">104</a>	Case	1	
<a href="#">1460738</a>	COVER,USB	<a href="#">105</a>	Case	1	
<a href="#">1460736</a>	COVER,INKTUBE	<a href="#">106</a>	Case	1	
<a href="#">1467706</a>	HINGE,ASSEMBLY	<a href="#">107</a>	Case	1	
<a href="#">1460787</a>	HOUSING,PANEL	<a href="#">108</a>	Case	1	
<a href="#">1460756</a>	BUTTON,SW,POWER	<a href="#">109</a>	Case	1	
<a href="#">1460788</a>	BUTTON,SW	<a href="#">110</a>	Case	1	
<a href="#">1491824</a>	SHEET,PANEL;F	<a href="#">111</a>	Case	1	
<a href="#">2116337</a>	HARNESS	<a href="#">203</a>	Case	1	
<a href="#">1464551</a>	LABEL,POSITION,CARTRIDGE	<a href="#">702</a>	Case	2	
<a href="#">1461678</a>	HOUSING,FRONT,SC	<a href="#">809</a>	Case	1	
<a href="#">2121940</a>	SCANNER UNIT;CA21;A;EPPI	<a href="#">813</a>	Case	1	
<a href="#">1488753</a>	COVER DOCUMENT ASSY.,SC;EPPI	<a href="#">816</a>	Case	1	
<a href="#">1490509</a>	COVER,ASF;B	<a href="#">817</a>	Case	1	
<a href="#">2120935</a>	BOARD ASSY.,MAIN	<a href="#">200</a>	Electronic Parts	1	
<a href="#">2116181</a>	BOARD ASSY.,PANEL	<a href="#">201</a>	Electronic Parts	1	
<a href="#">1460774</a>	GROUNDING PLATE,PANEL	<a href="#">202</a>	Electronic Parts	1	
<a href="#">2122615</a>	PRINTER MECHANISM,ASP	<a href="#">500</a>	Mechanism Parts	1	
<a href="#">1475097</a>	SUB CR ASSY.,IEI	<a href="#">501</a>	Mechanism Parts	1	
<a href="#">2115990</a>	CABLE,HEAD	<a href="#">502</a>	Mechanism Parts	1	
<a href="#">2115992</a>	CABLE,HEAD;B	<a href="#">503</a>	Mechanism Parts	1	
<a href="#">1217084</a>	FOOT	<a href="#">504</a>	Mechanism Parts	4	
<a href="#">1075955</a>	ROLLER,LD;B	<a href="#">505</a>	Mechanism Parts	1	
<a href="#">1052673</a>	EXTENSION SPRING,0.143	<a href="#">506</a>	Mechanism Parts	1	
<a href="#">1459833</a>	CLUTCH	<a href="#">507</a>	Mechanism Parts	1	
<a href="#">1486872</a>	SCALE,CR	<a href="#">508</a>	Mechanism Parts	1	
<a href="#">1459802</a>	TIMING BELT,CR	<a href="#">509</a>	Mechanism Parts	1	
<a href="#">1482658</a>	ROLLER,PF ASSY.,C687;EPPI	<a href="#">510</a>	Mechanism Parts	1	
<a href="#">1476501</a>	POROUS PAD,PAPER GUIDE,FRONT;ASP	<a href="#">511</a>	Mechanism Parts	1	
<a href="#">1488292</a>	ASF ASSY;CA21;EPPI	<a href="#">512</a>	Mechanism Parts	1	
<a href="#">1459817</a>	SPUR GEAR,51.5	<a href="#">513</a>	Mechanism Parts	1	
<a href="#">1486767</a>	ROLLER,EJECT;B	<a href="#">514</a>	Mechanism Parts	1	
<a href="#">1491008</a>	POROUS PAD,INK EJ,MIDDLE;E	<a href="#">516</a>	Mechanism Parts	1	
<a href="#">1491009</a>	POROUS PAD,INK EJ,LOWER;E	<a href="#">517</a>	Mechanism Parts	1	
<a href="#">1487935</a>	INK SYSTEM ASSY;CA21;EPPI	<a href="#">518</a>	Mechanism Parts	1	

<a href="#">1459875</a>	STOPPER,TUBE	<a href="#">519</a>	Mechanism Parts	1
<a href="#">1459873</a>	COVER,INK EJ	<a href="#">520</a>	Mechanism Parts	1
<a href="#">1470961</a>	POROUS PAD,CAP,LOWER;B	<a href="#">521</a>	Mechanism Parts	1
<a href="#">1473327</a>	DIFFUSION SHEET,INK EJECT;ASP	<a href="#">523</a>	Mechanism Parts	1
<a href="#">1484639</a>	POROUS PAD,INK EJ,FB,UPPER;C	<a href="#">524</a>	Mechanism Parts	1
<a href="#">2116016</a>	DETECTOR,PE	<a href="#">525</a>	Mechanism Parts	1
<a href="#">1436876</a>	SPUR GEAR,13.5	<a href="#">527</a>	Mechanism Parts	1
<a href="#">2116014</a>	BOARD ASSY.,ENCODER	<a href="#">528</a>	Mechanism Parts	1
<a href="#">1484641</a>	POROUS PAD,INK EJ,FB,LOWER;C	<a href="#">530</a>	Mechanism Parts	1
<a href="#">1477298</a>	CLEANER,HEAD;ASP	<a href="#">531</a>	Mechanism Parts	1
<a href="#">2122095</a>	MOTOR,ASSY,PF	<a href="#">532</a>	Mechanism Parts	1
<a href="#">2116012</a>	MOTOR ASSY,CR	<a href="#">533</a>	Mechanism Parts	1
<a href="#">1482702</a>	SCALE, PF ASSY.,C687;EPPI	<a href="#">534</a>	Mechanism Parts	1
<a href="#">1476056</a>	POROUS PAD,FRAME,RIGHT	<a href="#">535</a>	Mechanism Parts	1
<a href="#">F182000</a>	PRINT HEAD	<a href="#">700</a>	Mechanism Parts	1
<a href="#">1487940</a>	COVER CARTRIDGE ASSY;CA21;ASP;EPPI	<a href="#">701</a>	Mechanism Parts	1
<a href="#">1459776</a>	COVER,CABLE,HEAD,INNER	<a href="#">703</a>	Mechanism Parts	1
<a href="#">1487938</a>	HOLDER BOARD ASSY;CA21;EPPI	<a href="#">704</a>	Mechanism Parts	1
<a href="#">1430589</a>	HINGE,COVER,CARTRIDGE	<a href="#">706</a>	Mechanism Parts	1
<a href="#">1487937</a>	HOPPER ASSY;CA21;EPPI	<a href="#">707</a>	Mechanism Parts	1
<a href="#">1495647</a>	COMPRESSION SPRING,3.43	<a href="#">708</a>	Mechanism Parts	1
<a href="#">1459778</a>	GUIDE,I/C;F	<a href="#">709</a>	Mechanism Parts	1
<a href="#">1487943</a>	POWER SUPPLY ASSY;PSE;CA21;EPPI	<a href="#">300</a>	Power Supply	1

Part Code	Part Name	Ref No.	Category	Qty	Remark
-----------	-----------	---------	----------	-----	--------