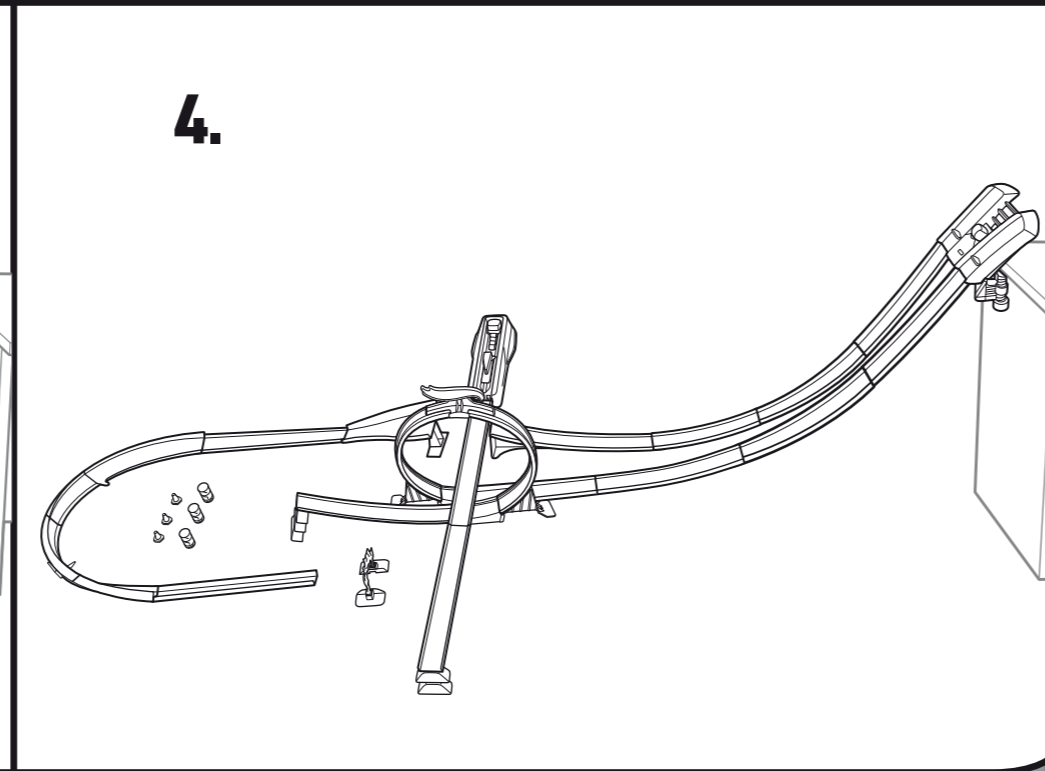
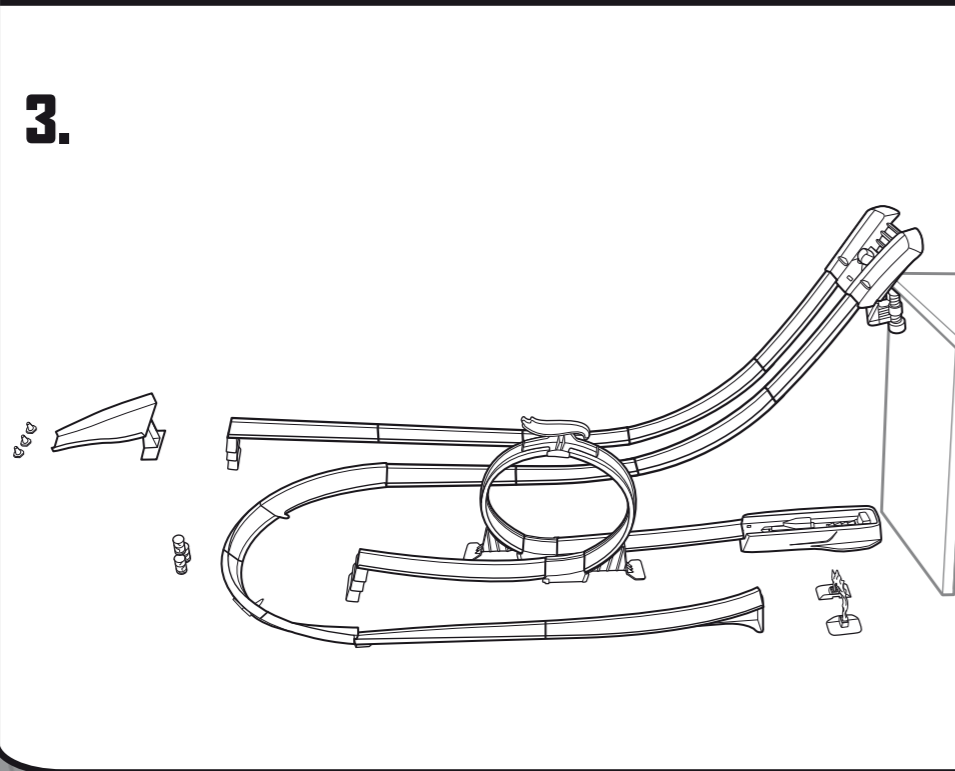
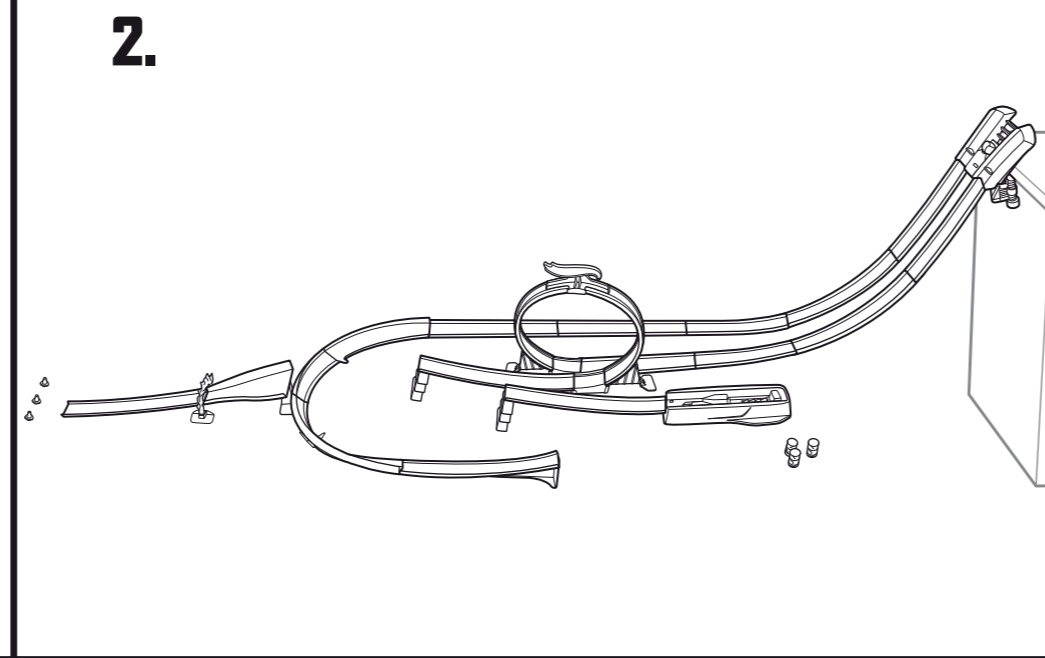
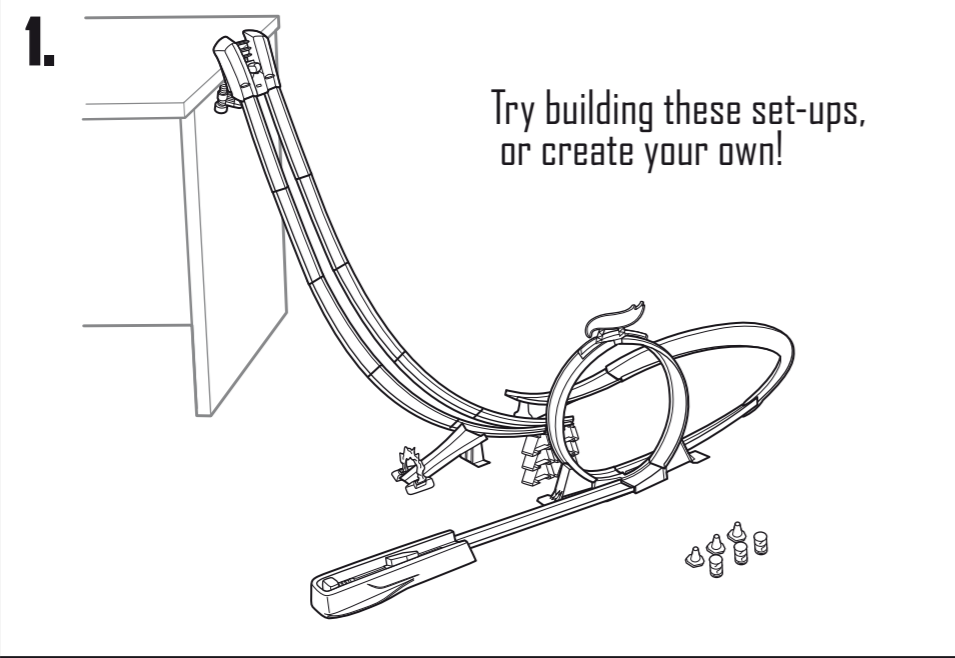


**MORE WAYS TO PLAY**

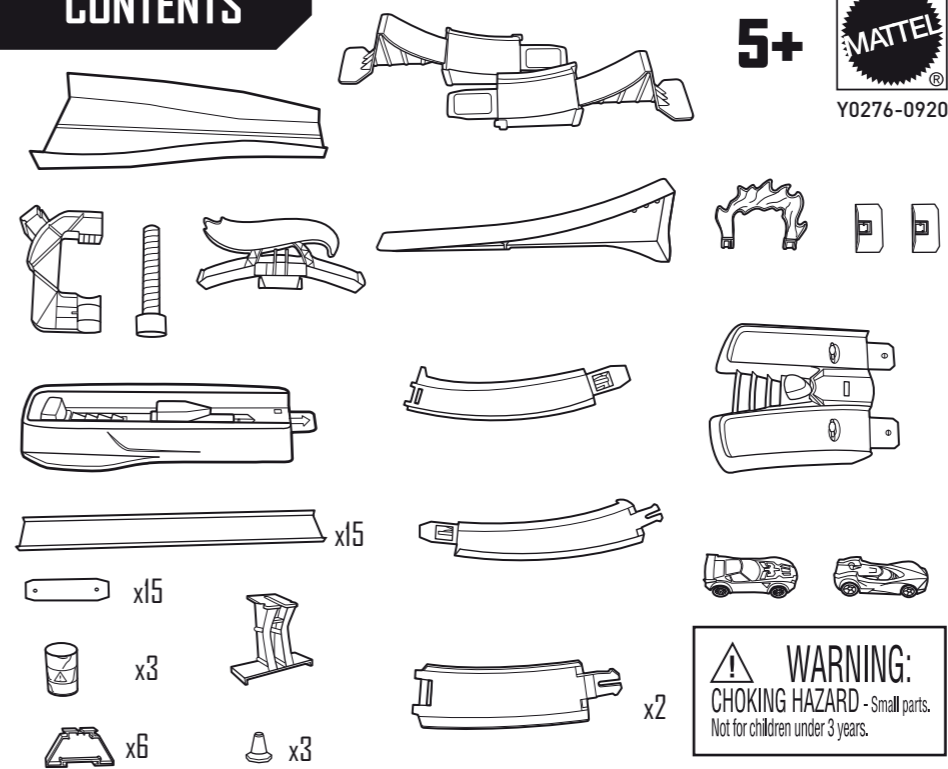


**SUPER TRACK PACK**

**INSTRUCTIONS**

Please keep these instructions for future reference as they contain important information.

**CONTENTS**

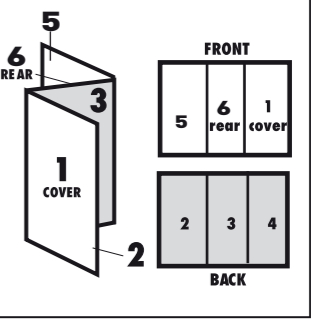


©2012 Mattel. All Rights Reserved. Mattel, Inc., 636 Girard Avenue, East Aurora, NY 14052, U.S.A. Consumer Relations 1-800-524-8697. Mattel U.K. Ltd., Vanwall Business Park, Maidenhead SL6 4UB. Helpline 01628 500303. Mattel Australia Pty., Ltd., Richmond, Victoria. 3121. Consumer Advisory Service - 1300 135 312. Mattel East Asia Ltd., Room 1106, South Tower, World Finance Centre, Harbour City, Tsimshatsui, HK, China. Dumpport & Diedarkan Oleh: Mattel SEA Ptd Ltd. (993532-P) Lot 13.5, 13th Floor, Menara Lien Hoe, Perstarian Tropicana Golf Country Resort, 47410 PJ. Tel: 03-78803617, Fax: 03-78803867. service.mattel.com

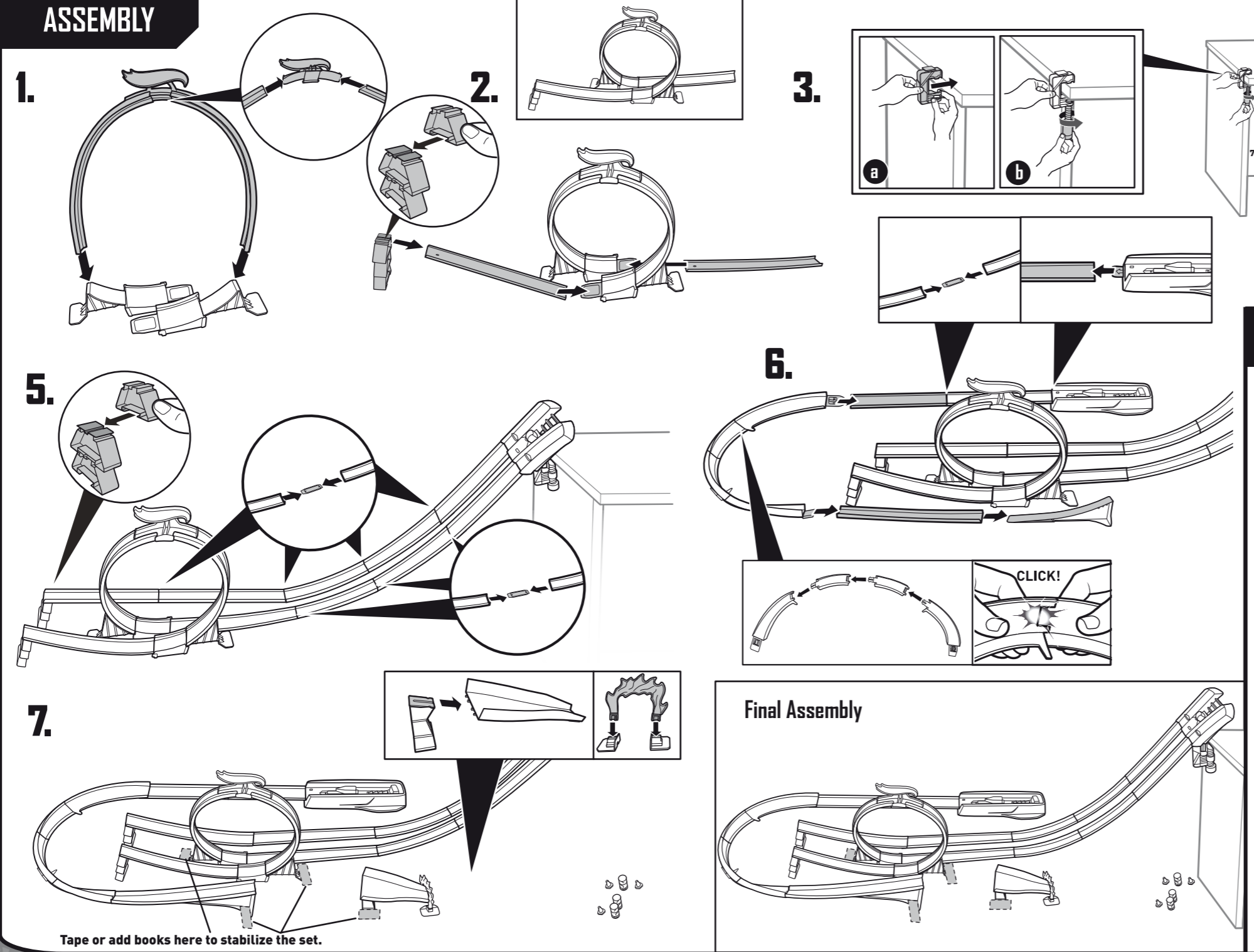
**INSTRUCTION SHEET SPECIFICATIONS**

Toy No.:	HW Ready To Play Set
Part No.:	Y0276
Trim Size:	16.5" W x 8.5" H
Folded Size:	5.5" W x 8.5" H
Type of Fold:	Single
# colors:	One
Colors:	Black
Paper Stock:	White Offset
Paper Weight:	70 lb.
EDM No.:	

**2 PANEL Folding Dummy**



**ASSEMBLY**



**TO PLAY**

