



# Illustrated Parts Book



Model 410 Shown

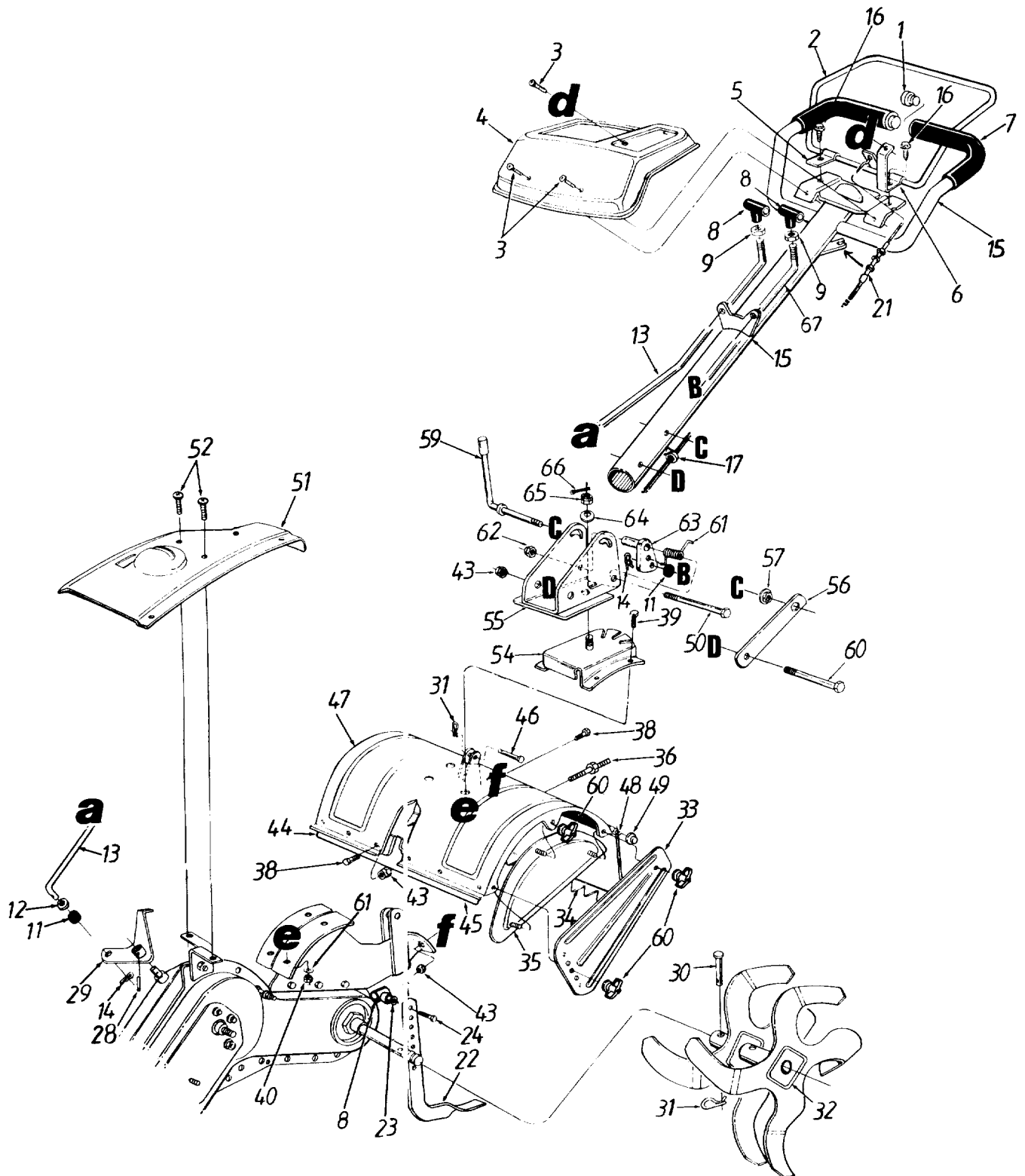
## REAR TINE TILLERS

Model Number	Pages
21A-410-000 .....	2 - 5
21A-420-000 .....	4 - 7
21A-430-000 .....	8 - 12
21A-448-401 .....	12 - 16

# 1997

MTD PRODUCTS INC • P.O. BOX 368022 • CLEVELAND, OHIO 44136-9722

# Model 410

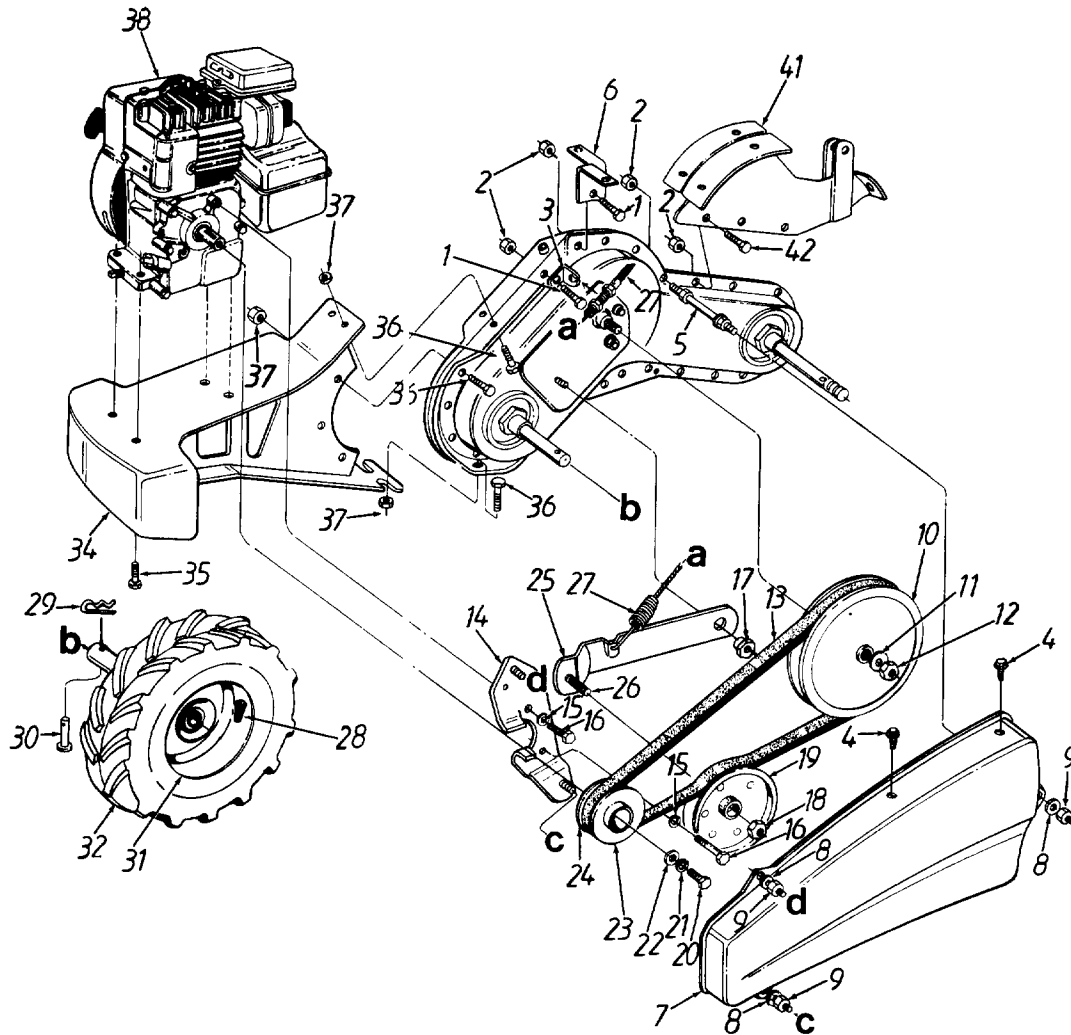


# Model 410

## PARTS LIST FOR MODEL 410 REAR TINE TILLER

QTY.	PART NO.	CODE	DESCRIPTION	REF. NO.	PART NO.	CODE	DESCRIPTION
1	735-0246		Vinyl End Plug	33	786-0090		Side Shield
2	647-0014		Clutch Control Ass'y.	34	786-0113		Rear Tine Shield
3	710-1017		Torx Mach. AB-Tap Scr. 1/4 x .62" Lg.	35	686-0044A	N	End Cover Ass'y.
4	786-0131		Handle Cover	36	710-0849		Hex Cap Bolt 5/16-18 x 1.25" Lg.
5	786-0098		Retaining Brkt.—R.H.	38	710-3002		Hex Bolt 5/16-18 x .75" Lg.
3	786-0118		Retaining Brkt.—L.H.	39	710-3097		Carriage Bolt 3/8-16 x 1" Lg.
7	720-0278		Grip (2 Req'd.)	40	712-0798		Hex Ins. L-Nut 3/8-16 Thd.
3	720-0210A		Knob	43	712-3004A		Hex Flange Top L-Nut 5/16-18 Thd.
3	712-3008		Hex Jam Nut 3/8-16 Thd.	44	786-0076		Tine Shield Brkt.—R.H.
1	735-0127		Rubber Washer	45	786-0077		Tine Shield Brkt.—L.H.
2	736-0204		Fl-Wash. .344" I.D. x .6" O.D.	46	711-0415		Clevis Pin .375" Dia.
3	747-0902		Gear Shift Rod	47	786-0085		Tine Shield
4	714-0104		Hairpin Clip	48	747-0432		Tiller Flap Rod
5	649-0023		Handle Ass'y.	49	726-0106		Cap Speed Nut
3	710-0896		Tap Scr. 1/4-14 x 5/8" Lg.	50	710-0189		Hex Bolt 5/16-18 x 3" Lg.
7	726-0330		Cable Clip	51	786-0101A	N	Shift Cover
1	746-0916		Clutch Cable	52	710-1017		Torx Mach. AB-Tap Scr. 1/4 x .6"
2	786-0120		Depth Bar	54	786-0109		Handle Brkt.—L.H.
3	736-0117		Fl-Wash. 3/8" I.D. x 5/8" O.D.	55	786-0108		Handle Brkt.—R.H.
4	710-0253		Hex Bolt 3/8-16 x 1" Lg.*	56	784-0191		Hex Nut Retainer Brkt.
3	715-0120		Spiral Pin 3/16" x 1"	57	712-0379		Hex Flange Nut 3/8-24 Thd.
3	686-0095		Shift Crank Ass'y.	58	750-0885		Spacer .322 Dia.
3	711-0415		Clevis Pin	59	784-0190		Handle Adjustment Crank
1	714-0149B		Hairpin Clip	60	712-0421		Knob 5/16-18 Thd.
2	642-0015		Tine Ass'y.—L.H.	61	736-0169		L-Washer 3/8" I.D.
	642-0016		Tine Ass'y.—R.H. (Not Shown)				

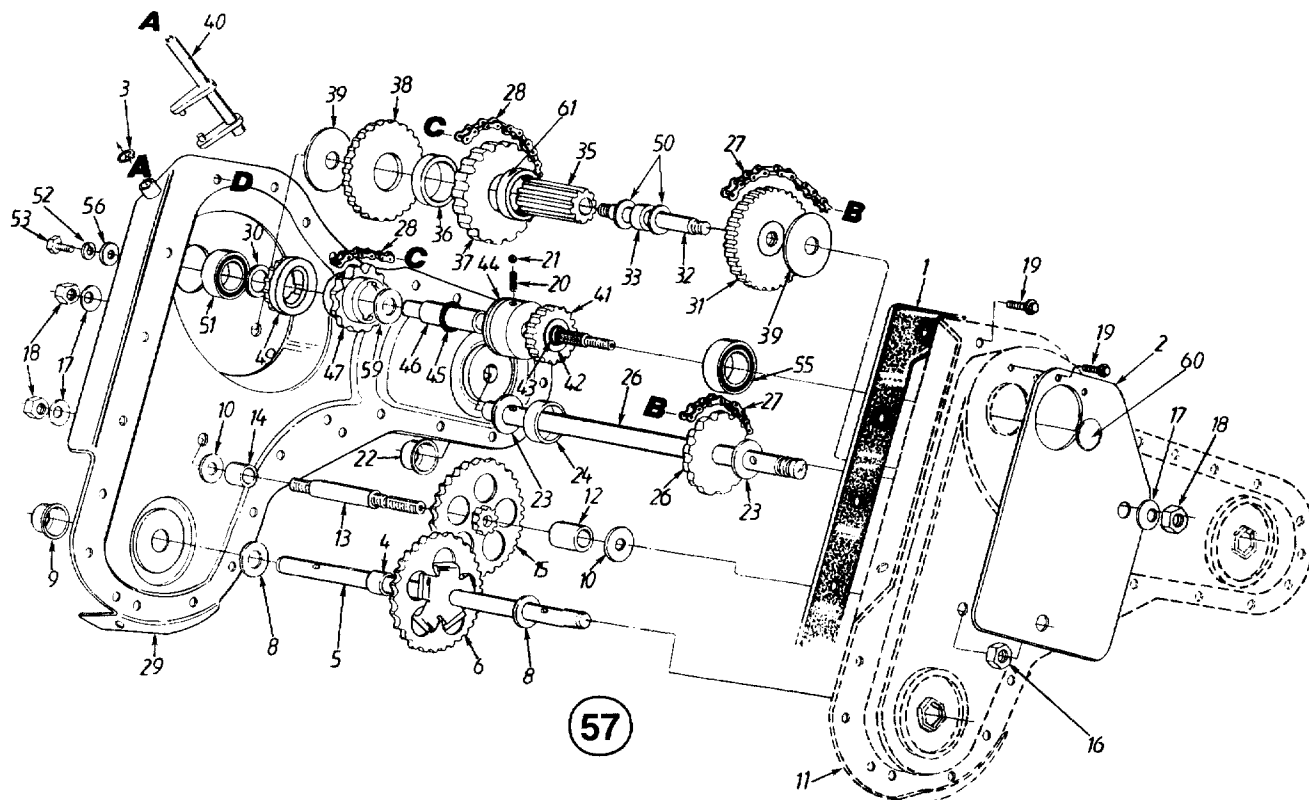
# Models 410 and 420



## PARTS LIST FOR MODELS 410 AND 420 REAR TINE TILLERS

REF. NO.	PART NO.	CODE	DESCRIPTION	REF. NO.	PART NO.	CODE	DESCRIPTION
1	710-0118		Hex Bolt 5/16-18 x .75" Lg.	23	756-0972		Outer Engine Pulley Half
2	712-3004A		Hex Top L-Nut 5/16-8 Thd.	24	756-0971		Inner Engine Pulley Half
3	786-0107		Cable Mtg. Bracket	25	786-0080		Idler Bracket
4	710-1017		Torx Mach. AB-Tap & cr. 1/4 x .6" Lg.	26	710-0723		Hex Bolt 3/8-16 x 1.25" Lg.
5	738-0899		Belt Cover Bolt	27	746-0916		Clutch Cable
6	786-0117		Shift Cover Bracket	28	734-0255		Air Valve
7	786-0100		Belt Cover	29	714-0104		Hairpin Clip
8	736-0142		Fl-Wash. .281" I.D. x .5" O.D.	30	711-1017		Clevis Pin
9	712-0392		Hex Cap Nut 1/4-28 Thd.	31	634-0112		Rim Only (410)
10	756-0634		Flat Pulley 8" O.D.		634-0108		Rim Only (420)
11	736-0105		Bell-Wash. .38" I.D. x .88" O.D.	32	634-0110		Wheel Ass'y. Comp.—R.H. (410)
12	712-0130		Hex Ins. L-Nut 3/8-16 Thd.		634-0111		Wheel Ass'y. Comp.—L.H. (410)
13	754-0438		"V"-Belt		634-0106		Wheel Ass'y. Comp.—R.H. (420)
14	686-0031		Belt Keeper Brkt.		634-0107		Wheel Ass'y. Comp.—L.H. (420)
15	736-0119		L-Wash. 5/16" I.D.		734-1796		Tire Only (410)
16	710-0237		Hex Bolt 5/16-24 x .62" Lg.		734-0808		Tire Only (420)
17	738-0876		Shld. Nut	34	619-0009		Frame Counterweight
18	712-0266		Hex Jam L-Nut 3/8-16 Thd.	35	710-1007		Hex TT-Tap Scr. 3/8-16 Thd.
19	756-0405		Fl-Idler w/Flanges	36	710-3002		Hex Bolt 5/16-18 x 1" Lg. (Gr. 5)
20	710-0152		Hex Bolt 3/8-24 x 1" Lg.	37	712-3004A		Hex Flange L-Nut 5/16-18 Thd.
21	736-0217		L-Wash. 3/8" I.D.	38	—		Engine
22	736-0258		Fl-Wash. 3/8" I.D. x 1" O.D.	41	686-0043A		Tine Shield Brkt. Ass'y.
				42	710-3038		Hex Bolt 5/16-18 x 7/8" Lg.

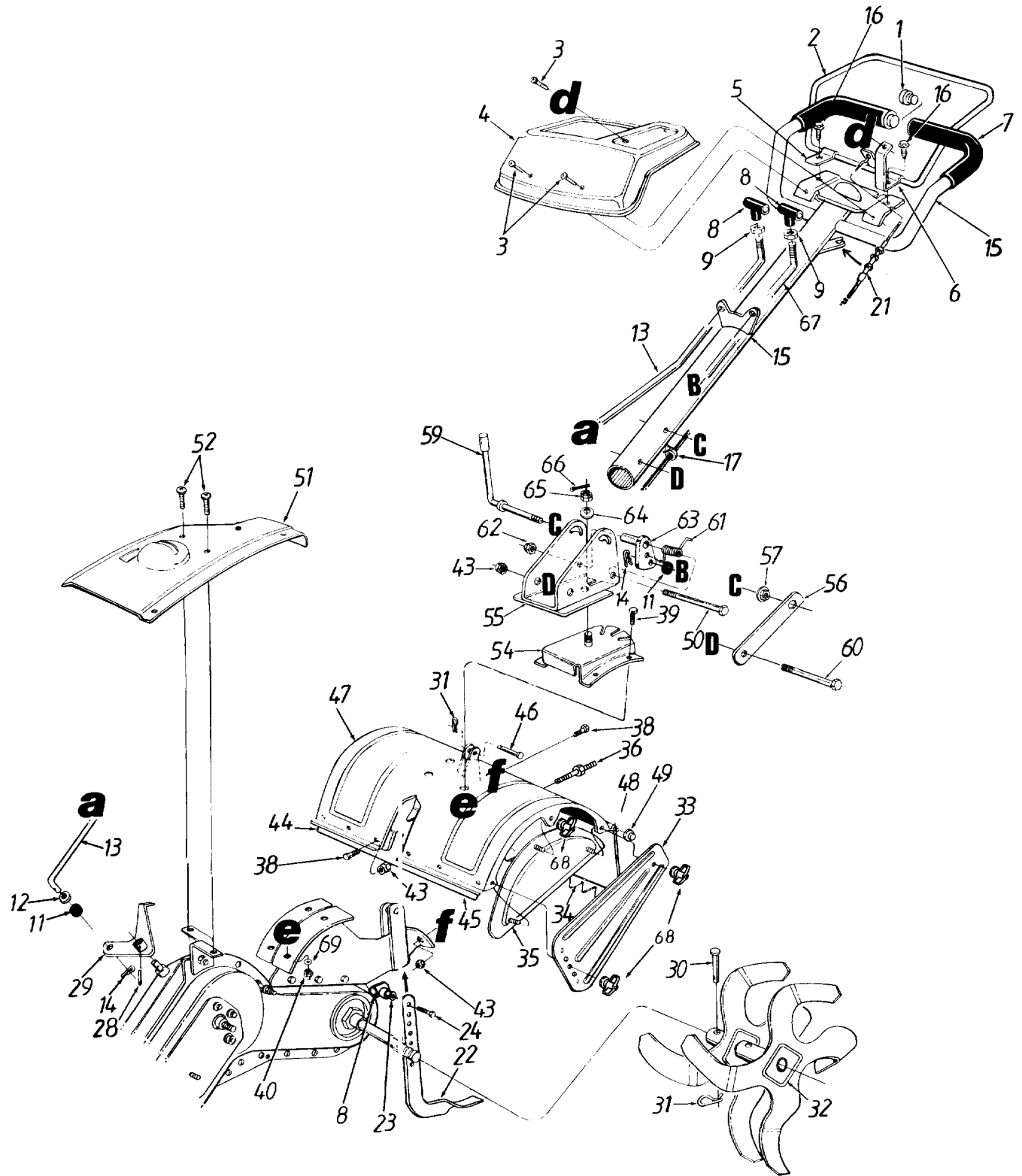
# Models 410 and 420



## PARTS LIST FOR MODELS 410 AND 420 REAR TINE TILLERS

F. O.	PART NO.	CODE	DESCRIPTION	REF. NO.	PART NO.	CODE	DESCRIPTION
1	721-0295		Chain Case Gasket	30	736-0541		Fl-Wash. 7/16" I.D. x 1-3/8" O.D.
2	786-0086		Reinforcement Plate	31	617-0002		Gear and Sprocket Ass'y.
3	716-0865		Snap Ring	32	738-0884		Jack Shaft 5" Lg.
4	750-0938		Spacer .735" I.D. x .886" O.D.	33	750-0931		Spacer .636" I.D. x .86" O.D.
5	611-0058	N	Wheel Shaft	35	717-1411		Spur Gear 10T
6	717-1458	N	Spur Gear 46T	36	750-0930		Spacer 1.5" I.D. x 1.76" O.D.
8	736-0351		Fl-Wash. .76" I.D. x 1.5" O.D.	37	713-0436		Sprocket—#41 Chain
9	721-0379	N	Shaft Seal	38	717-1405		Reverse Gear 46T
0	736-0406		Fl-Wash. 7/16" I.D. x 1-3/8" O.D.	39	736-0518		Thrust Wash. .445" I.D. x 1.92"
1	686-0039		Gear Case Ass'y. Half—L.H.	40	618-0245	N	Shifter Ass'y.
2	750-0935		Spacer .635" I.D. x 1" O.D. x .78	41	717-1409		Spur Gear 17T
3	738-0885		Jack Shaft 2.06" Lg.	42	736-0442		Fl-Wash. .69" I.D. x 1.06" O.D.
4	750-0936		Spacer .635" I.D. x 1" O.D. x .37" Thk.	43	732-0614		Wire Ring
5	617-0004		Gear Idler Ass'y.	44	718-0234		Clutch Collar
6	712-3067		Hex Patch L-Nut 7/16-20 Thd.	45	716-0235		Retaining Ring .875" Shaft
7	736-0407		Bell-Wash. .45" I.D. x 1" O.D.	46	711-1087	N	Drive Shaft
8	712-0378		Hex Nut 7/16-20 Thd.	47	713-0435		Sprocket 11T
9	710-0896		Hex Wash. Hd. TT-Tap Scr. 1/4-20 x .5" Lg.	49	717-1451		Spur Gear 16T
0	732-0863		Spring Detent	50	736-0336		Fl-Wash. 5/8" I.D. x 1" O.D.
1	741-0862		Ball Detent	51	741-0124		Ball Bearing .669" I.D.
2	721-0378	N	Shaft Seal	52	736-0329		L-Wash. 1/4" I.D.
3	736-0163		Thrust Wash. 1.03" I.D. x 1.62"	53	710-0258		Hex Bolt 1/4-20 x .62" Lg.
4	750-0570		Spacer 1" I.D. x 2" O.D. x .5" Thk.	55	741-0563		Ball Bearing
6	611-0021		Tine Shaft Ass'y.	56	736-0512		Fl-Wash. .281" I.D. x .875" O.D.
7	713-0226		Chain #50 5/8" Pitch x 52 Links—Endless	57	686-0094	N	Gear Case Ass'y. Comp.
8	713-0223		Chain—#41 1/2" Pitch x 30 Links—Endless	58	718-0237		Key—Drive Shaft (Not Shown)
9	686-0038		Gear Case Ass'y. Half—R.H.	59	736-0265		Fl-Wash. .88" I.D. x 1.5" O.D.
				60	726-0331		Button Plug
				61	750-0987		Spacer 1.52" I.D.
				—	737-0148		Grease (40 oz. Req'd.)

# Model 420

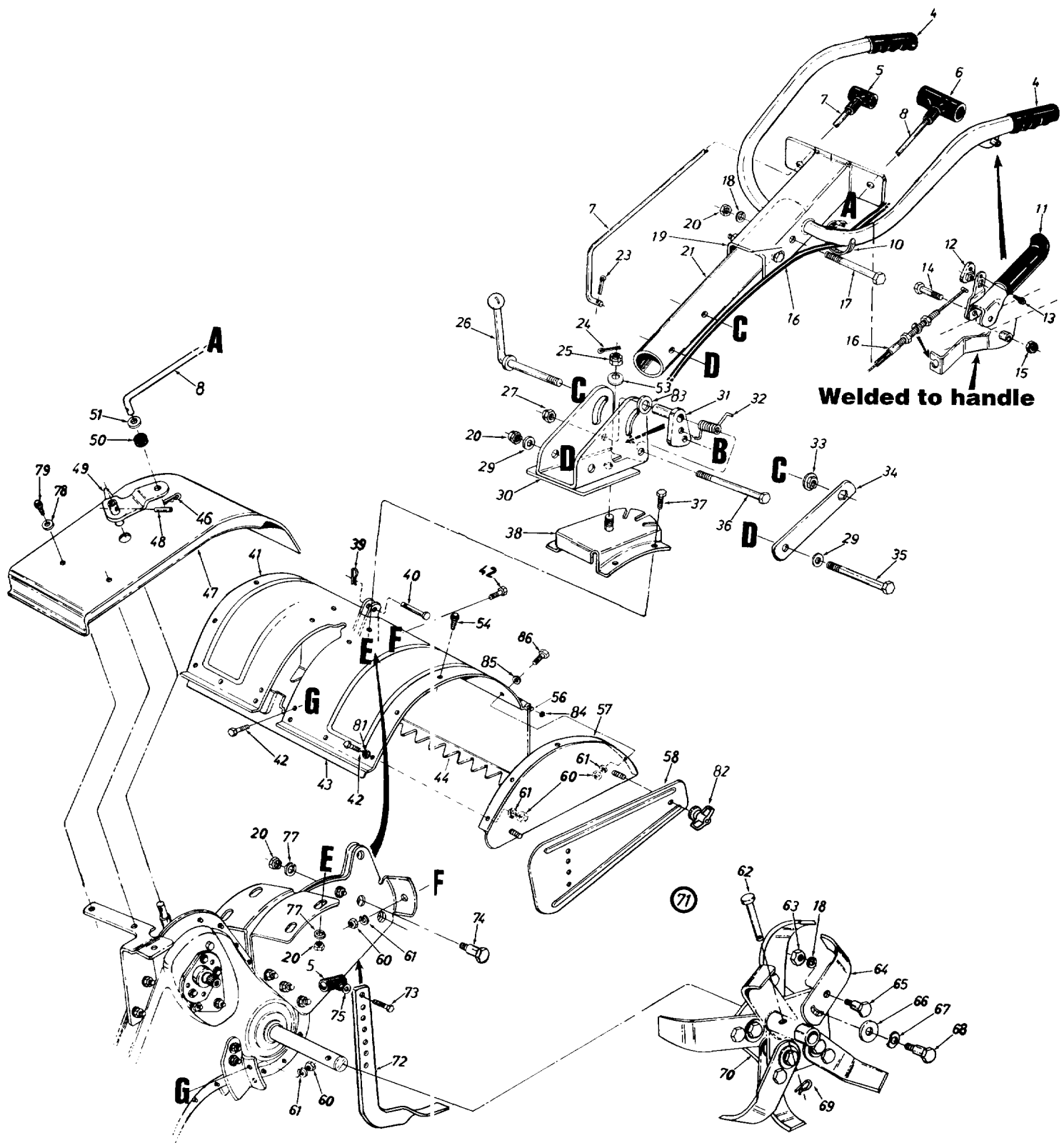


# Model 420

## PARTS LIST FOR MODEL 420 REAR TINE TILLER

QTY.	PART NO.	CODE	DESCRIPTION	REF. NO.	PART NO.	CODE	DESCRIPTION
1	735-0246		Vinyl End Plug	36	738-0849		Hex Screw 5/16-18 x .75" Lg.
2	647-0014		Clutch Control Ass'y.	38	710-0118		Hex Bolt 5/16-18 x .75" Lg.
3	710-1017		Torx Mach. AB-Tap Scr. 1/4 x .62" Lg.	39	710-3097		Carriage Bolt 3/8-16 x 1" Lg.
4	786-0131		Handle Cover	40	712-0798		Hex Nut 3/8-16 Thd.
5	786-0098		Retaining Brkt.—R.H.	43	712-3004A		Hex Flange Top L-Nut 5/16-18 Thd.
3	786-0118		Retaining Brkt.—L.H.	44	786-0076		Tine Shield Brkt.—R.H.
7	720-0278		Grip (2 Req'd.)	45	786-0077		Tine Shield Brkt.—L.H.
3	720-0210A		Knob	46	711-0415		Clevis Pin .375" Dia.
3	712-3008		Hex Jam Nut 3/8-16 Thd.	47	786-0085		Tine Shield
1	735-0127		Rubber Washer	48	747-0432		Tiller Flap Rod
2	736-0204		Fl-Wash. .344" I.D. x .6" O.D.	49	726-0106		Cap Speed Nut
3	747-0902		Gear Shift Rod	50	710-0521		Hex Bolt 3/8-16 x 3" Lg.
4	714-0104		Hairpin Clip	51	786-0101A	N	Shift Cover
5	649-0024		Handle Ass'y.	52	710-1017		Torx Mach. AB-Tap Scr. 1/4 x .6"
3	710-0896		Tap Scr. 1/4-14 x 5/8" Lg.	54	686-0071		Handle Positioner Brkt. Ass'y.
7	726-0330		Cable Clip	55	686-0048		Handle Pivot Brkt. Ass'y.
1	746-0916		Clutch Cable	56	784-0191		Hex Nut Retainer Brkt.
2	786-0120		Depth Bar	57	712-0379		Hex Flange Nut 3/8-24 Thd.
3	736-0117		Fl-Wash. 3/8" I.D. x 5/8" O.D.	59	784-0190		Handle Adjustment Crank
4	710-0253		Hex Bolt 3/8-16 x 1" Lg.*	60	710-0189		Hex Bolt 5/16-18 x 3" Lg.
8	715-0120		Spiral Pin 3/16" x 1"	61	732-0493		Torsion Spring
9	686-0095	N	Shift Crank Ass'y.	62	712-0375		Hex L-Nut 3/8-16 Thd.
0	711-0415		Clevis Pin	63	748-0375		Handle Swing Link
1	714-0149B		Hairpin Clip	64	736-0317		Bell-Wash. 5/8" I.D.
2	642-0015		Tine Ass'y.—L.H.	65	712-0386A		Hex Slotted Nut 5/8-18 Thd.
	642-0016		Tine Ass'y.—R.H. (Not Shown)	66	714-3021		Cotter Pin 1/8" x 1-5/8"
3	786-0090		Side Shield	67	747-0901		Handle Adjustment Rod
4	786-0113		Rear Tine Shield	68	712-0421		Knob 5/16-18 Thd.
5	686-0044A	N	End Cover Ass'y.	69	736-0169		L-Washer 3/8" I.D.

# Model 430





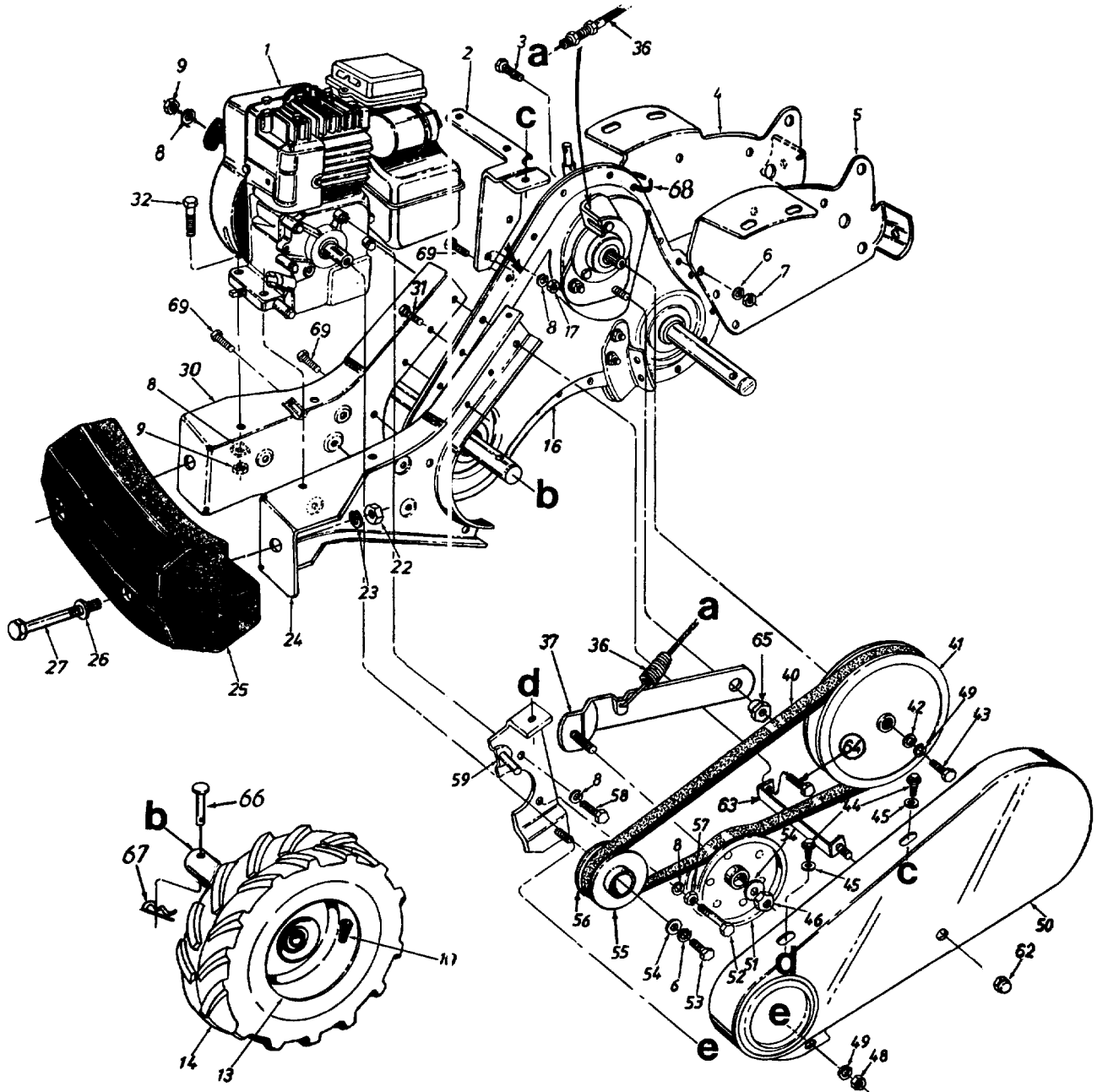
# Model 430

## PARTS LIST FOR MODEL 430 REAR TINE TILLER

EF. O.	PART NO.	CODE	DESCRIPTION	REF. NO.	PART NO.	CODE	DESCRIPTION
4	720-0180		Handle Grip	43	784-0210		Bracket Reinforcement—18"
5	720-0210A		Small "T" Knob	44	786-0113		Tine Shield Hinge Flap
6	720-0209		Large "T" Knob	46	714-0104		Intern. Cotter Pin 5/16" Dia.
7	747-0666		Clutch Rod	47	784-0208B	N	Shift Cover
8	747-0664		Control Rod 37" Lg.	48	715-0120		Spring Roll Pin 3/16" Dia.
10	725-0157		Cable Tie-Self Clinching	49	784-0173		Shifting Crank Ass'y.
11	784-0202B		Clutch Grip Ass'y.—L.H.	50	735-0127		Rubber Washer .33" I.D.
12	746-0605		Barrel Cable Hold Down	51	736-0133		Fl-Wash. .4" I.D. x 1.25" O.D.
13	710-0919		Hex B-Tap Scr. #10 x .44" Lg.	53	736-0317		Bell-Wash. .63" I.D. x 1.25"
				54	710-0607		Hex Wash. Tap Scr.
14	710-0331		Hex Bolt 3/8-24 x 2.25" Lg.*	56	747-0432		Tiller Flap Rod
15	712-0262		Hex Jam L-Nut 3/8-24 Thd.	57	784-0179A	N	End Cover Ass'y.
16	746-0908		Clutch Control Cable 46" Lg.	58	15390		Side Shield
17	710-0194		Hex Bolt 3/8-16 x 3.00" Lg.*	60	712-0267		Hex Nut 5/16-18 Thd.*
18	736-0217		L-Wash. 3/8" I.D.—H.D.	61	736-0119		L-Wash. 5/16" I.D.*
19	684-0109	N	Handle Ass'y.	62	711-0415		Clevis Pin .375" Dia.
20	712-0798		Hex Nut 3/8-16 Thd.*	63	712-0355		Hex Nut 3/8-24 Thd.*
21	784-0189		Handle Tubing Ass'y.	64	742-0305		13" Dia. Articulating Tine
24	714-3021		Cotter Pin 3/32" Dia. x 1.25" Lg.*	65	738-0689		Shld. Bolt 1/2" Dia. x .175
				66	736-0208		Fl-Wash. .51" I.D. x 1.50"
25	712-0386A		Hex Slotted Nut 5/8-18 Thd.	67	736-0253		Bell-Wash. .515" I.D. x 1.14"
26	784-0190		Handle Adj. Crank	68	738-0688		Shld. Bolt 1/2" Dia. x .320
27	712-0375		Hex Cent. L-Nut 3/8-16 Thd.	69	714-0149B		Intern. Cotter Pin
29	736-0105		Bell-Wash. .4" I.D. x .87" O.D.	70	784-0160		Tine Adapter Ass'y. 18"
30	784-0263A	N	Handle Pivot Bracket	71	784-0205		Tine Ass'y. Comp. 18"
31	784-0375		Handle Link	72	786-0120		Depth Bar Ass'y.
32	732-0493		Spring Handle Adj. (Torsion)	73	710-0253		Hex Bolt 3/8-16 x 1" Lg.*
33	712-0379		Hex Flange Nut 3/8-24 Thd.	74	738-0148		Shld. Bolt 1/2" I.D. x .62" Lg.
34	784-0191		Bracket Hex Nut Retainer	75	736-0117		Fl-Wash. 3/8" I.D. x 5/8" O.D.
35	710-0644		Hex Bolt 3/8-16 x 3.25" Lg.*	77	736-0169		L-Wash. 3/8" I.D.*
36	710-0521		Hex Bolt 3/8-16 x 3.00" Lg.—Gr. 8	78	736-0463		Fl-Wash. .281" I.D. x .62"
				79	710-0599		Hex Wash. Self-Tap Scr. 1/4-20 x .50" Lg.
37	710-3097		Hex Bolt 3/8-16 x 1" Lg.*				Plastic Knob 5/16-18 Thd.
38	686-0071	N	Handle Positioner Brkt. Ass'y.	82	712-0421		Fl-Wash. .406" I.D. x .875" O.D.
39	714-0149B		Intern. Cotter Pin	83	736-3004		End Cap
40	711-0415		Clevis Pin .375" Dia.	84	726-0106		Flat Washer .33 x .630 x .06
41	784-0156		Tine Shield 18"	85	736-0264		Shoulder Screw
42	710-0376		Hex Bolt 5/16-18 x .1" Lg.*	86	738-0849	N	

\*For faster service obtain standard nuts, bolts and washers locally. If these items cannot be obtained locally, order by part number and size as shown on parts list.

# Model 430



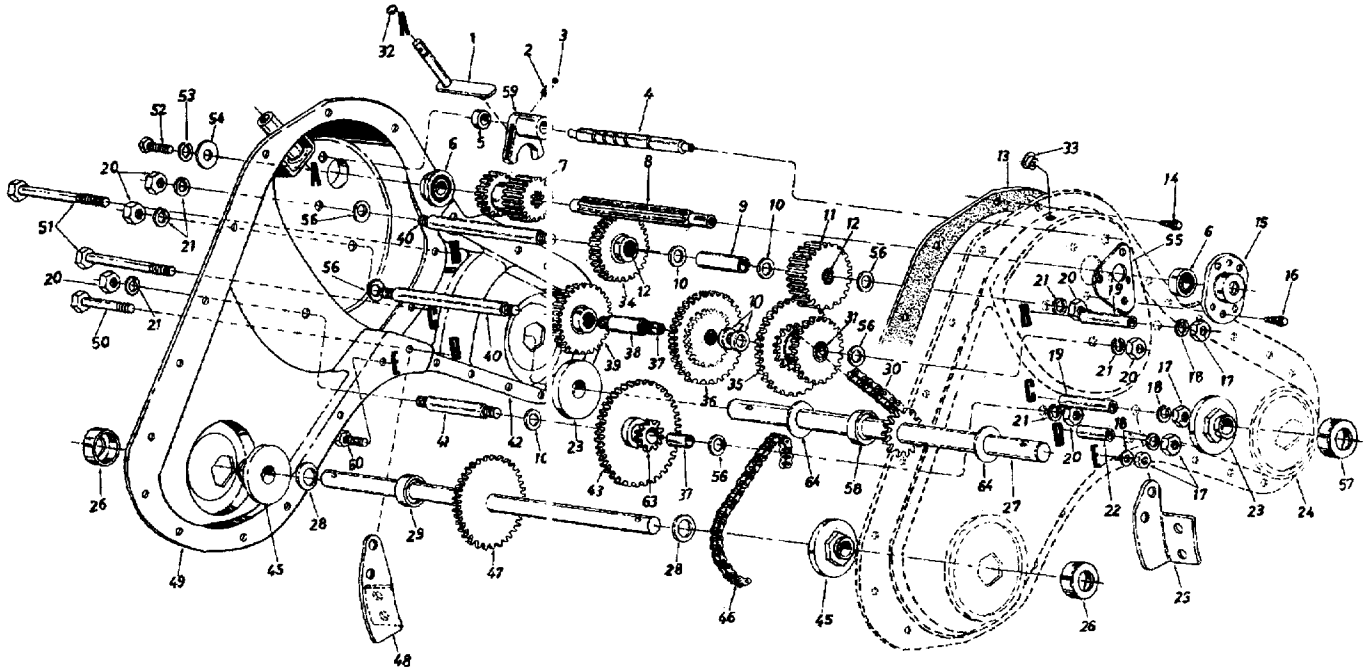
# Model 430

## PARTS LIST FOR MODEL 430 REAR TINE TILLER

EF. O.	PART NO.	CODE	DESCRIPTION	REF. NO.	PART NO.	CODE	DESCRIPTION
1	—		Engine	40	754-0434		"V"-Belt
2	784-0199A		Belt Cover Mounting Brkt.	41	756-0634		FI-Pulley 8" O.D.
3	710-0253		Hex Bolt 3/8-16 x 1.00" Lg.*	42	736-0176		FI-Wash. 1/4" I.D. x .93" O.D.
4	784-0178		Tine Shield Mtg. Brkt.—R.H.	43	710-0412		Hex Bolt 1/4-28 x .75" Lg.
5	784-0177		Tine Shield Mtg. Brkt.—L.H.	44	710-0599		Hex Wash. Hd. S-Tap Scr. 1/4-20 x .50" Lg.
6	736-0169		L-Wash. 3/8" I.D.*				FI-Wash. .281" I.D. x .625"
7	712-0798		Hex Nut 3/8-16 Thd.*	45	736-0463		Hex Cent. L-Nut 3/8-24 Thd.
8	736-0119		L-Wash. 5/16" I.D.*	46	712-0262		Hex Nut 1/4-20 Thd.*
9	712-0267		Hex Nut 5/16-18" Thd.*	48	712-0287		L-Wash. 1/4" I.D.*
0	734-0255		Air Valve	49	736-0329		Belt Cover
13	634-0112		Wheel Rim Ass'y. Only	50	784-0158		FI-Idler w/Flanges 3.75" O.D.
14	634-0111		L.H. Wheel Ass'y. Comp.	51	756-0405		Hex Bolt 5/16-24 x 1.75"
	634-0110		R.H. Wheel Ass'y. Comp.	52	710-0409		Hex Bolt 3/8-24 x 1.00" Lg.*
	734-1796		Tire Only	53	710-0152		FI-Wash. 3/8" I.D. x 1.00"
16	686-0098	N	Gear Case Ass'y. Comp.	54	736-0258		Outer Engine Pulley Half
17	712-0267		Hex Nut 5/16-18 Thd.*	55	756-0972		Inner Engine Pulley Half
19	710-0376		Hex Screw 5/16-18 x 1" Lg.*	56	756-0971		Hex Nut 5/16-24 Thd.*
22	712-0206		Hex Nut 1/2-13 Thd.*	57	712-0123		Hex Bolt 5/16-24 x .62" Lg.*
23	736-0921		L-Wash. 1/2" I.D.*	58	710-0237		Belt Keeper Ass'y.
24	784-0155A	N	Engine Mounting Rail—L.H.	59	784-0197		Hex Cap Nut 1/4-28 Thd.
25	723-0381		#40 Counter Weight	62	712-0392		Belt Cover Brkt. Ass'y.
26	736-0326		FI-Wash. .510" I.D. x 1.0"	63	686-0027		Hex Bolt 5/16-18 x 1" Lg. (Gr. 5)
27	710-0382		Hex Bolt 1/2-13 x 5.00" Lg.*	64	710-0376		Shld. Nut
30	784-0154A	N	Engine Mounting Rail—R.H.	65	738-0876		Clevis Pin
31	710-0216		Hex Bolt 3/8-16 x .75" Lg.*	66	711-1017		Hairpin Clip
32	710-0442		Hex Bolt 5/16-18 x 1.50"	67	714-0104		Cable Tie—Self Clinching
36	746-0908		Clutch Control Cable 46" Lg.	68	725-0157		Screw 5/16-18 x 1"
37	686-0026		Idler Bracket Ass'y.	69	710-0602		

\*For faster service obtain standard nuts, bolts and washers locally.  
If these items cannot be obtained locally, order by part number  
and size as shown on parts list.

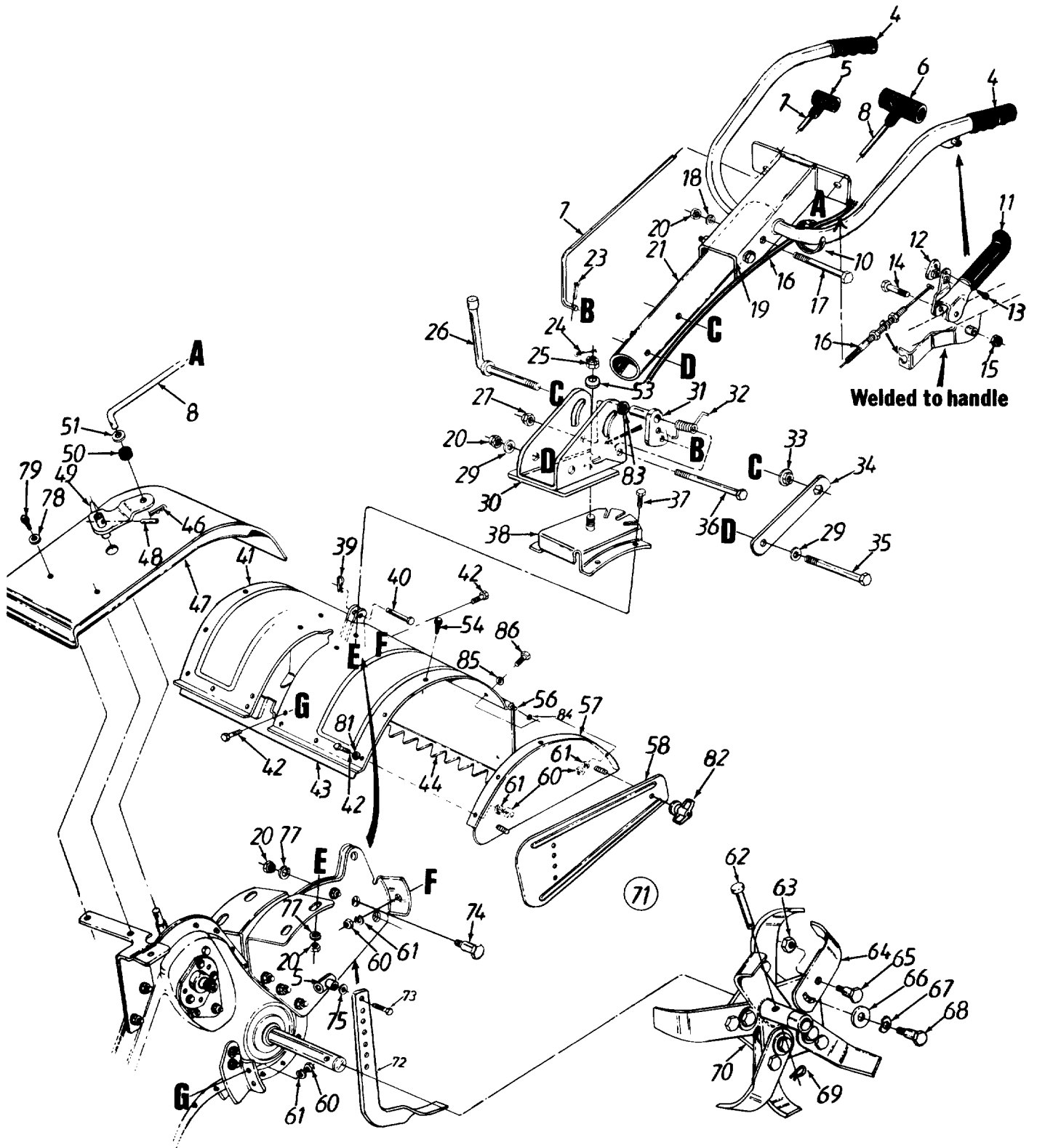
# Models 430 and 448



**PARTS LIST FOR MC DELS 430 AND 448 REAR TINE TILLERS**

REF. NO.	PART NO.	CODE	DESCRIPTION	REF. NO.	PART NO.	CODE	DESCRIPTION
1	784-0171A		Shifting Bracket Ass'y.	34	717-0854		Spur Gear 30T 12/16" I.D.
2	732-0496		Compression Spring .50" Lg.	35	717-0874		30/44T Gear Ass'y. Comp.
3	741-0862		Ball Detent .250" Dia.	36	717-1470	N	Spur Gear 44T/11T
4	738-0645		Detent Shaft 1/2" Dia.	37	741-0181		Sleeve Bearing
5	750-0664		Spacer .505" I.D. x .88" O.D.	38	717-0835		Gear Hub 3/4" I.D. x 3" Lg.
6	741-0155		Ball Brg. .62" I.D. x 1.38"	39	717-0855		Spur Gear 30T 1.0" I.D. x 1/2" W
7	717-0851		Spur Gear 16T (Input)				Jack Shaft 5/8" Dia. x 5"
8	717-0852		Input Spline Shaft 7/8"	40	738-0647		Jack Shaft 5/8" Dia. x 2.38"
9	750-0651		Spacer .657" I.D. x 2.85" Lg.	41	738-0648	N	Trans. Housing Ass'y.—R.H.
10	736-0187		FI-Wash. .640" I.D. x 1.24"	42	786-0126		Spur Gear 44T
11	717-0857		Spur Gear 30T 7/8" I.C.	43	717-1471		Wheel Brg. .752" x 2.5"
12	741-0478		Needle Bearing 5/8" I.D.	45	741-0421		#420 Chain 1/2 Pitch x 50 Links—Endless
13	721-0211		Gasket—Trans. Hsg.	46	713-0367		Wheel Shaft Ass'y. 15.6"
14	710-0599		Hex S-Tap Scr. 1/4-20 x .5"	47	611-0020		Bracket Gear Case—R.H.
15	784-0211		1-3/8" Dia. Bearing Housing	48	784-0192		R.H. Housing Ass'y.
16	710-0642		Hex TT-Tap Scr. 1/4-20 x .75"	49	686-0074		Hex Bolt 5/16-18 x 2"
17	712-0267		Hex Nut 5/16-18 Thd.*	50	710-0116		Hex Bolt 5/16-18 x 2.5"
18	736-0119		L-Wash. 5/16" I.D.*	51	710-0378		Hex Bolt 1/4-20 x .62" Lg.
19	750-0662		Spacer 1.56" Lg.	52	710-0513		L-Wash. 3/8" I.D.*
20	712-0378		Hex Nut 7/16-20 Thd.	53	736-0329		FI-Wash. 1/4" I.D. x .93" O.D.
21	736-0407		Bell-Wash. .45" I.D. x .10"	54	736-0176		Gear Positioner Bracket
22	750-0661		Spacer 1.015" Lg.	55	786-0065		FI-Wash. 7/16" I.D. x 1-3/8"
23	741-0420	N	Tine Shaft Brg. 1.002 x 2.50	56	736-0406		Seal 1" Shaft
24	786-0127		Trans. Housing Ass'y.—L.H.	57	721-0378		Spacer 1" I.D. x 2" O.D.
25	784-0193		Bracket Gear Case—L.H.	58	750-0570		Shifting Fork
26	721-0379		Seal .75" Shaft	59	717-0853		Hex Bolt 5/16-18 x 1" Lg.*
27	611-0021		Tine Shaft Ass'y. 1" O.D.	60	710-0376		10T Sprocket Ass'y.
28	736-0351		FI-Wash. .76" I.D. x 1.5" O.D.	63	784-0162A		Thrust Wash. 1.03" I.D. x 1.62" O.D.
29	750-0671		Spacer .75" I.D. x .50" Lg.	64	736-0163		Grease Benelene 920
30	713-0226		Chain #50 5/8 Pitch x 52 Links—Endless			N	Gear Case Assembly Complete
31	741-0488		Needle Bearing 5/8" I.D.				
32	716-0865		Snap Ring				
33	726-0277		Taper Cap Plug				

# Model 448



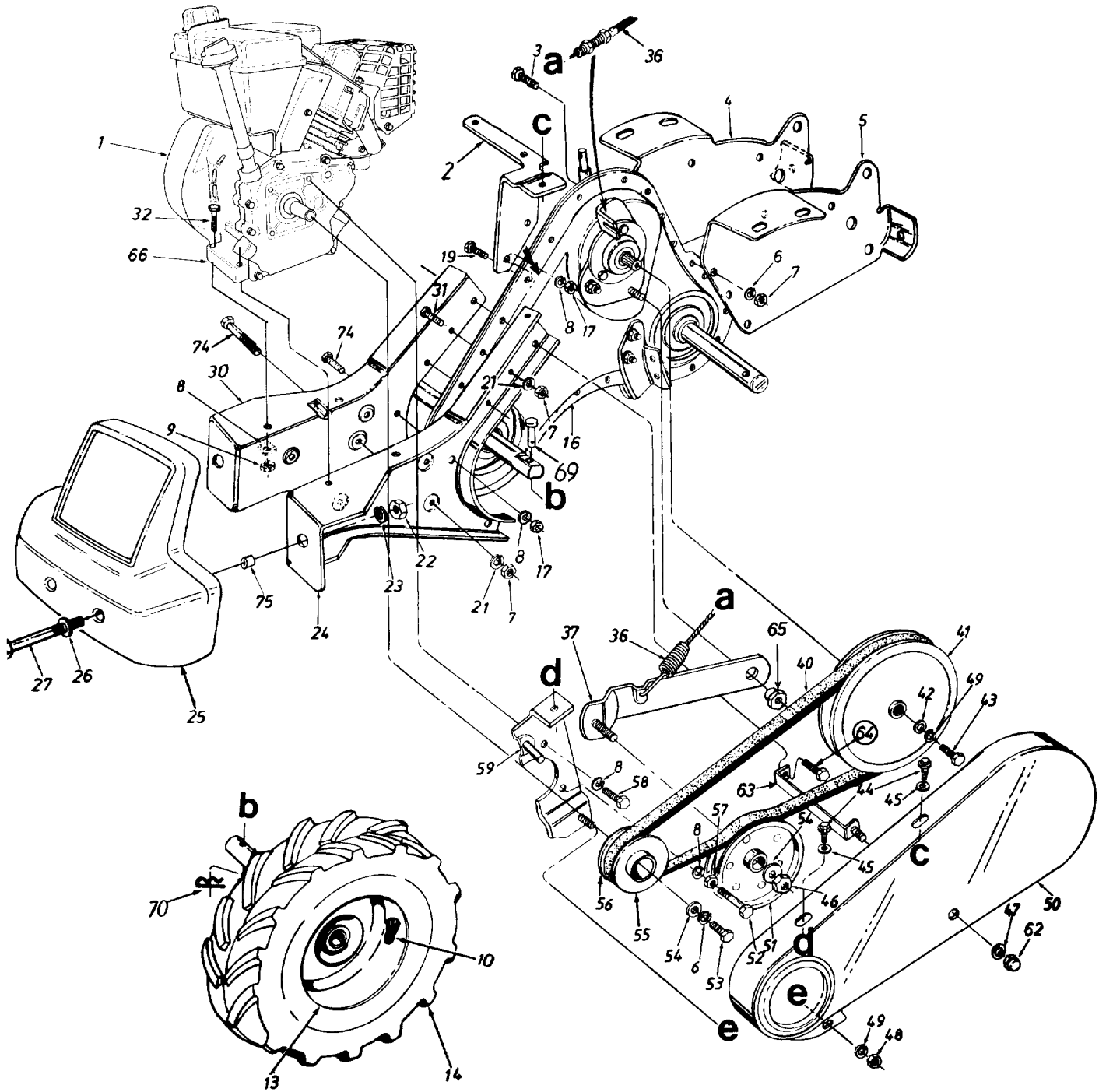
# Model 448

## PARTS LIST FOR MODEL 448 REAR TINE TILLER

REF. NO.	PART NO.	CODE	DESCRIPTION	REF. NO.	PART NO.	CODE	DESCRIPTION
4	720-0180		Handle Grip	43	784-0210		Bracket Reinforcement—18"
5	720-0210A		Small "T" Knob	44	786-0113	N	Tine Shield Hinge Flap
6	720-0209		Large "T" Knob	46	714-0104		Intern. Cotter Pin 5/16" Dia.
7	747-0666		Clutch Rod	47	784-0208B-665		Shift Cover
8	747-0664		Control Rod 37" Lg.	48	715-0120		Spring Roll Pin 3/16" Dia.
10	725-0157		Cable Tie-Self Clinching	49	784-0173		Shifting Crank Ass'y.
11	784-0202B		Clutch Grip Ass'y.—L.H.	50	735-0127		Rubber Washer .33" I.D.
12	746-0605		Barrel Cable Hold Down	51	736-0133		Fl-Wash. .4" I.D. x 1.25" O.D.
13	710-0919		Hex B-Tap Scr. #10 x .44" Lg.	53	736-0317		Bell-Wash. .63" I.D. x 1.25"
14	710-0331		Hex Bolt 3/8-24 x 2.25" Lg.*	54	710-0607		Hex Wash. Tap Scr.
15	712-0262		Hex Jam L-Nut 3/8-24 Thd.	56	747-0432		Tiller Flap Rod
16	746-0908		Clutch Control Cable .6" Lg.	57	784-0179A-665 N		End Cover Ass'y.
17	710-0194		Hex Bolt 3/8-16 x 3.00" Lg.*	58	15390-665		Side Shield
18	736-0217		L-Wash. 3/8" I.D.—H.I.D.	60	712-0267		Hex Nut 5/16-18 Thd.*
19	684-0109-665		Handle Ass'y.	61	736-0119		L-Wash. 5/16" I.D.*
20	712-0798		Hex Nut 3/8-16 Thd.*	62	711-0415		Clevis Pin .375" Dia.
21	784-0189		Handle Tubing Ass'y.	63	712-0355		Hex Nut 3/8-24 Thd.*
23	714-0507		Cotter Pin 3/32" Dia. x .75" Lg.*	64	742-0305		13" Dia. Articulating Tine
24	714-3021		Cotter Pin 3/32" Dia. x 1.25" Lg.*	65	738-0689		Shld. Bolt 1/2" Dia. x .175
25	712-0386A		Hex Slotted Nut 5/8-18 Thd.	66	736-0208		Fl-Wash. .51" I.D. x 1.50"
26	784-0190		Handle Adj. Crank	67	736-0253		Bell-Wash. .51" I.D. x 1.14"
27	712-0375		Hex Cent. L-Nut 3/8-18 Thd.	68	738-0688		Shld. Bolt 1/2" Dia. x .320
29	736-0105		Bell-Wash. .4" I.D. x .87" O.D.	69	714-0149B		Intern. Cotter Pin
30	784-0263A-665		Handle Pivot Bracket	70	784-0160		Tine Adapter Ass'y. 18"
31	748-0375		Handle Link	71	784-0205		Tine Ass'y. Comp. 18"
32	732-0493		Spring Handle Adj. (Torsion)	72	786-0120		Depth Bar
33	712-0379		Hex Flange Nut 3/8-24 Thd.	73	710-0253		Hex Bolt 3/8-16 x 1" Lg.*
34	784-0191		Bracket Hex Nut Retainer	74	710-3097		Shld. Bolt 1/2" I.D. x .62" Lg.
35	710-0644		Hex Bolt 3/8-16 x 3.25" Lg.*	75	736-0117		Fl-Wash. 3/8" I.D. x 5/8" O.D.
36	710-0521		Hex Bolt 3/8-16 x 3.00" Lg.—Gr. 8	77	736-0169		L-Wash. 3/8" I.D.*
37	710-0253		Hex Bolt 3/8-16 x 1" Lg.*	78	736-0463		Fl-Wash. .281" I.D. x .62"
38	686-0071-665		Handle Positioner Brki. Ass'y.	79	710-0599		Hex Wash. Self-Tap Scr. 1/4-20 x .50" Lg.
39	714-0149B		Intern. Cotter Pin	82	712-0421		Plastic Knob 5/16-18 Thd.
40	711-0415		Clevis Pin .375" Dia.	83	736-3004		Fl-Wash. .406" I.D. x .875" O.D.
41	784-0156-665		Tine Shield 18"	84	723-0106		End Cap
42	710-0376		Hex Bolt 5/16-18 x 1" Lg.*	85	736-0264		Flat Washer
				86	738-0849		Shoulder Screw

\* For faster service obtain standard nuts, bolts and washers locally. If these items cannot be obtained locally, order by part number and size as shown on parts list.

# Model 448



# Model 448

## PARTS LIST FOR MODEL 448 REAR TINE TILLER

REF. NO.	PART NO.	CODE	DESCRIPTION	REF. NO.	PART NO.	CODE	DESCRIPTION
1	—		Engine	42	736-0176		FI-Wash. 1/4" I.D. x .93" O.D.
2	786-0123		Shift Cover Mounting Brkt.	43	710-0412		Hex Bolt 1/4-28 x .75" Lg.
3	710-0253		Hex Bolt 3/8-16 x 1.00" Lg.*	44	710-0599		Hex Wash. Hd. S-Tap Scr. 1/4-20 x .50" Lg.
4	784-0178		Tine Shield Mtg. Brkt —R.H.	45	736-0463		FI-Wash. .281" I.D. x .625"
5	784-0177		Tine Shield Mtg. Brkt —L.H.	46	712-0262		Hex Cent. L-Nut 3/8-24 Thd.
6	736-0169		L-Wash. 3/8" I.D.*	47	736-3020		FI-Wash. .266" I.D. x .625" O.D.
7	712-0798		Hex Nut 3/8-16 Thd.*	48	712-0287		Hex Nut 1/4-20 Thd.*
8	736-0119		L-Wash. 5/16" I.D.*	49	736-0329		L-Wash. 1/4" I.D.*
9	712-0267		Hex Nut 5/16-18" Thd.*	50	784-0158-0665		Belt Cover
10	734-0255		Air Valve	51	756-0405		FI-Idler w/Flanges 3.75" O.D.
13	634-0108		Wheel Rim Ass'y. On y	52	710-0409		Hex Bolt 5/16-24 x 1.75"
14	634-0107		L.H. Wheel Ass'y. Comp.	53	710-0152		Hex Bolt 3/8-24 x 1.00" Lg.*
	634-0106		R.H. Wheel Ass'y. Comp.	54	736-0258		FI-Wash. 3/8" I.D. x 1.00"
	734-0808		Tire Only	55	756-0972		Outer Engine Pulley Half
16	686-0098		Gear Case Ass'y. Comp.	56	756-0971		Inner Engine Pulley Half
19	710-0376		Hex Bolt 5/16-18 x 1" Lg.*	57	712-0123		Hex Nut 5/16-24 Thd.*
22	712-3066		Hex Nut 1/2-20	58	710-0237		Hex Bolt 5/16-24 x .62" Lg.*
23	736-0921		L-Wash. 1/2" I.D.*	59	686-0065		Belt Keeper Ass'y.
24	784-0155A		Engine Mounting Rail —L.H.	62	712-0392		Hex Cap Nut 1/4-28 Thd.
25	731-1595		Counter Weight	63	686-0064		Belt Cover Brkt. Ass'y.
26	736-0179		FI-Wash. .510" I.D. x 1.0"	64	710-0376		Hex Bolt 5/16-18 x 1" Lg. (Gr. 5)
27	710-0506		Hex Bolt 1/2-20 x 5.5" Lg.*	65	738-0876		Shld. Nut
30	784-0154A		Engine Mounting Rail —R.H.	66	717-0522		Engine Spacer Block
32	710-0176		Hex Bolt 5/16-18 x 2.75"	69	711-1017		Clevis Pin
36	746-0908		Clutch Control Cable .46" Lg.	70	714-0104		Hairpin Clip
37	686-0026		Idler Bracket Ass'y.	74	710-0602		Screw 5/16-18 x 1"
40	754-0434		"V"-Belt	75	750-0194		Hub
41	756-0634		FI-Pulley 8" O.D.				

\* For faster service obtain standard nuts, bolts and washers locally. If these items cannot be obtained locally, order by part number and size as shown on parts list.