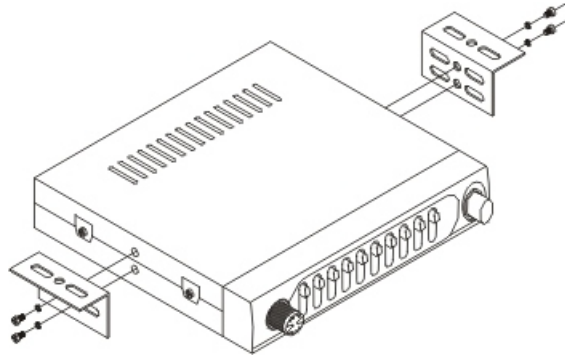


INSTALLATION



PYRAMID

INSTRUCTION MANUAL

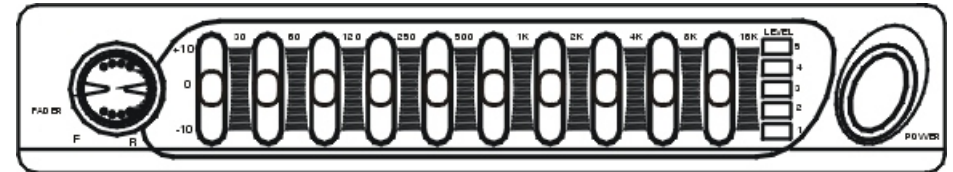
SPECIFICATION

NORMAL

- EQ Center Frequencies.....10 BAND.
- Equalization Range.....+/- 10dB
- Frequency Response @ 3dB Down.....20Hz - 20KHz
- Channel Separation.....45dB
- T.H.D. @ Reference Output.....0.5%
- 10% T.H.D. Output Power.....6X4CH./16X2CH.W
- MAX. Output Power.....2X100/4X50 Watts
- Power Requirements : 11-16V DC negative ground, 5 Amp, Maxiam.
- Accessories included : Mounting brackets for optional under-dash, mounting trimplate.

Dimensions [W X H X D] : 153 X 27 X 121mm.

Due to our continuing efforts towards product improvement, the above specifications are subject to change without notice.



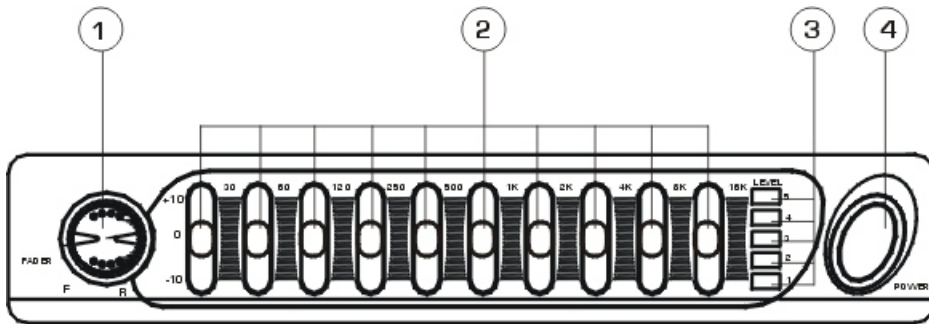
200 WATTS OUTPUT

**BEFORE INSTALLATION /OPERATION
READ THIS MANUAL COMPLETELY**

MODEL: 901GC

This model is intended for those who value the acoustic benefits of a multi - band Graphic Equalizer but who also desire higher audio power level capabilities than can be obtained in an in-dash unit. Being a passive Equalizer, it contain power amplifiers to drive speakers directly, Also provides one stereo signal line output and 1 pair sub-woofer output can be connected to remote high-power amplifiers. The ten center-frequencies are connected in the critical 50Hz to 12KHz region where compensation is most needed.

LOCATION AND FUNCTION OF CONTROL



1. FADER KNOB

Allow front to rear balancing in four speaker systems for best directional imaging.

2. EQ KNOBS

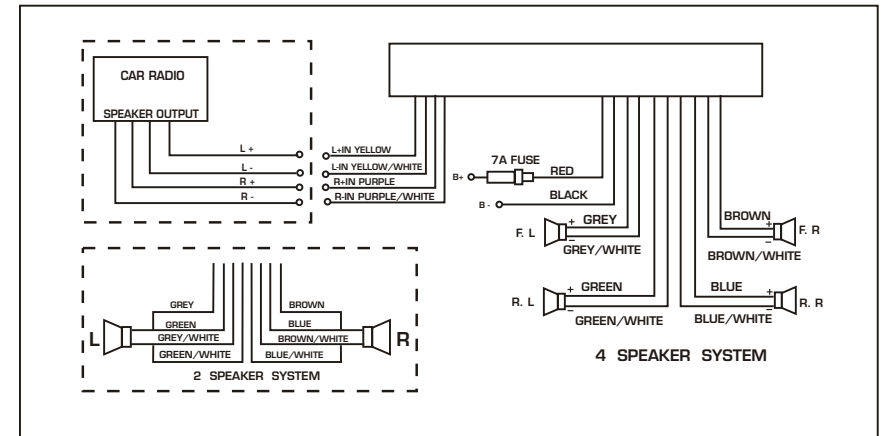
Each slide controls the amount of boost or cut in one small part of the total audio frequency range. With all slides in the center position, the overall frequency response is flat. By moving any slide up or down. The output within the band is increased or decreased by up to 12db.

3. LED INDICATOR

4. POWER BUTTON

Press it to turn on or off the unit.

WIRING CONNECTION



PRECAUTIONS

1. Most speaker systems require rather heavy boost at the lowest frequencies due to the large amount of air that must be moved. Speaker woofer cones responder between 45-60Hz where output is higher so do not boost much at 60Hz. Use heavy boost at 100Hz, less boost at 400Hz.
2. Due to sound-wave reflections between the front and rear windshields of a typical vehicle, there may be heavy loss between 700Hz to 1.3KHz so moderate boost here is very effective and will create more presence for vocalists.
3. The mid-range from 3 to 6KHz should not require much change from flat [center] most speakers work well here. Adjust per your taste.
4. Due to limitations in human hearings. Sound above 8KHz is not heard very well. Moderate boost at 1KHz adds a crisp character when percussion instruments are present.