

# Large LCD Talking Calendar Watch

OWNER'S MANUAL — Please read before using this equipment.

## FEATURES

Your RadioShack Large LCD Talking Calendar Watch combines a simple design with advanced technology. You can set the watch to announce the time, date, and alarm time. It even counts up from a set time. Your watch is ideal for the visually impaired.

Its features include:

**Large Liquid Crystal Display** — shows you large, easy-to-read digits.

**Voice Announcement** — lets you hear the date and time whenever you like, with the touch of a button.

**Four Daily Alarms** — let you set up to four alarms daily, reminding you of important events.

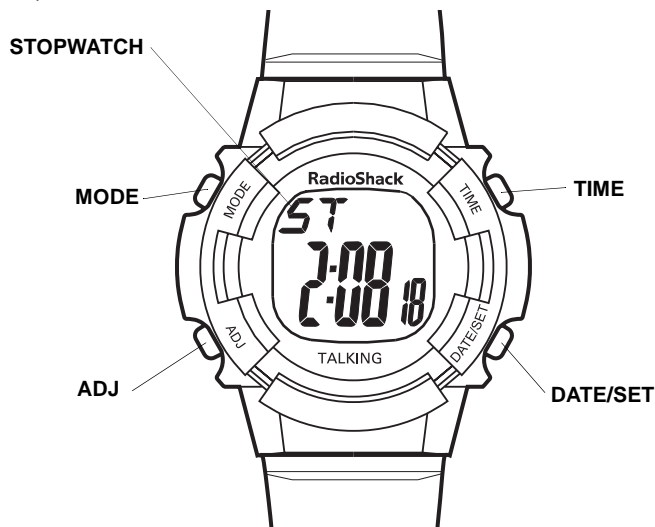
**Hourly Announcement** — lets you set the watch to announce the time on every hour.

**Talking Stopwatch** — lets you time events up to 24 hours and record lap times.

**Date/Time Display** — shows the year, month, date, day of week, and time in 12-hour format.

**100-Year Calendar** — gives you the calendar from 1990 to 2090.

## A QUICK LOOK AT YOUR WATCH



## OPERATION

### Setting the Time, Year, Month, Date, and Day

**Note:** While setting the time and date, if you do not press any key for more than 1 minute, the watch returns to the current time display.

1. Repeatedly press **MODE** until the watch announces and displays the time.
2. Hold down **DATE/SET** for about 2 seconds. The watch announces "time set" and "hour set," and the hour digits flash.

3. Repeatedly press (or hold down) **ADJ** to set the correct hour. The watch announces the hour as it advances on the display.
4. Press **DATE/SET** to store the hour. The watch announces "minute set" and the minute digits flash.
5. Repeat Steps 3 and 4 to set the minutes, year, month, and date.
6. Press **MODE** to finish setting the watch. The watch beeps once then returns to the time display.

### Notes:

- After setting the correct day, the watch automatically sets the day of the week.
- The watch announces the time and date as they advance.
- The watch uses a 12-hour format. **PM** appears at the left of the display for a PM hour.

### Using Voice Announcement

To hear the time, press **TIME**. The watch announces the current time. To hear the date, press **DATE/SET** once. The watch announces the date. For example, if you press **DATE/SET** on December 2nd, the watch announces "Today is the second," and **12 M 02 D** appears.

To display the current year, press **DATE/SET** again.

### Setting the Alarm Time

The watch lets you set up to four daily alarms. Follow these steps to set the desired alarm time.


1. Repeatedly press **MODE** until the watch announces "alarm 1." **AL** and **1** (the current alarm number) appear.
2. Hold down **DATE/SET** for about 2 seconds. The watch announces "alarm 1 set" and "hour set," and the hour digits flash.
3. Repeatedly press (or hold down) **ADJ** to set the correct hour. The watch announces the hour as it advances on the display.
4. Press **DATE/SET** to store the hour. The watch announces "minute set" and the minute digits flash.
5. Repeat Steps 3 and 4 to set the minute.
6. Press **MODE** to finish setting the alarm time.
7. Repeat Steps 1–6 to set alarms 2, 3, and 4.

### Turning the Alarm On and Off

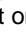
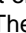
Repeatedly press **MODE** until the desired alarm setting appears. Press **ADJ** once to turn the alarm on. The watch announces "alarm," the selected alarm number, and "on," and **🔔** (or the currently selected alarm number) appears. After turning on the alarm, repeatedly press **MODE** to return to the current time.

**Note:** If you do not press a key within about 30 seconds after turning on the alarm, the current time display automatically appears.

At the preset alarm time, the watch announces the time. For example, if you set alarm 1 to sound at 10:35 AM, the watch repeatedly announces "Alarm 1. Good morning. It is 10:35 AM," then repeatedly sounds a series of four beeps for about 1 minute. To silence the alarm sooner, press any key.

To turn off the alarm so it does not sound, repeatedly press **MODE** until the desired alarm setting appears, then repeatedly press **ADJ** until the watch repeatedly announces "alarm" and the selected alarm number "off," and  disappears.

## Turning the Hourly Time Announcement On and Off

You can set the watch so it announces the time on the hour. When the watch displays the current time, press **ADJ**. The watch announces "hourly report on," and  appears. To turn off the hourly report, press **ADJ** again. The watch announces "hourly report off," and  disappears.

**Note:** The hourly time announcement sounds at the beginning of each hour between 6:00 AM and 10:00 PM.

## USING THE STOPWATCH TIMER

The stopwatch counts elapsed time up to 23 hours, 59 minutes and 59 seconds. When the timer reaches 23:59 59, it resets to 0:00 00 and begins counting up again.

Follow these steps to operate the stopwatch.

1. Repeatedly press **MODE** until the watch announces "stopwatch." **ST** and 0:00 00 (the stopwatch) appear.

### Notes:

- If 0:00 00 does not appear and : does not flash, the timer is not running. Press **DATE/SET** to reset the stopwatch to 0:00 00.
- To reset the stopwatch to 0:00 00, press **ADJ** then **DATE/SET** while the timer is running. The watch announces "all clear" and the timer changes to 0:00 00.

2. Press **ADJ** to start the stopwatch timer. The stopwatch starts and announces timing and the display shows the advancing time.
3. Press **ADJ**. The stopwatch timer stops and the display freezes.
4. To restart the stopwatch timer, press **ADJ**. The stopwatch timer continues from the elapsed time in Step 3.
5. Press **ADJ** to stop the timer, then press **DATE/SET** to reset it to 0:00 00. The watch announces "all clear."

**Note:** While the stopwatch is running, you can press **MODE** to use the watch's other features.

## RECORDING LAP TIMES

The watch's lap function lets you freeze the display, document the timed reading, then return to the stopwatch timer to see the advancing time. You can monitor lap times continuously as long as the stopwatch continues to run.

Follow these steps to measure lap times.

1. Repeatedly press **MODE** until the watch announces "stopwatch". The stopwatch display and **ST** appear.  
**Note:** If : is flashing, press **ADJ** then press **DATE/SET** twice to reset the stopwatch to 0:00 00.
2. Press **ADJ** to start the stopwatch timer.
3. When the first lap is finished, press **DATE/SET**. The stopwatch display freezes, but the stopwatch timer continues to run. The : in the elapsed time flashes.
4. When you have documented the lap time, press **DATE/SET**. The display changes to show the advancing time on the stopwatch timer.
5. Repeat Steps 3 and 4 for each additional lap.
6. Press **ADJ** to stop the stopwatch. Then press **DATE/SET** to reset the display to 0:00 00.

The stopwatch timer announces the elapsed time according to this table.

Elapsed Time	Announcement
1 to 10 seconds	Each second
11 seconds to 1 minute	Every 10 seconds
1 to 10 minutes	Every minute
10 minutes to 24 hours	Every 10 minutes

For example, the stopwatch announces "5 minutes" if 0:05 00 appears.

You also can press **TIME** to hear the voice announcement at any time while the stopwatch is running.

## CARE

Keep the watch dry; if it gets wet, wipe it dry immediately. Use and store the watch only in normal temperature environments. Handle the watch carefully; do not drop it. Keep the watch away from dust and dirt, and wipe it with a damp cloth occasionally to keep it looking new.

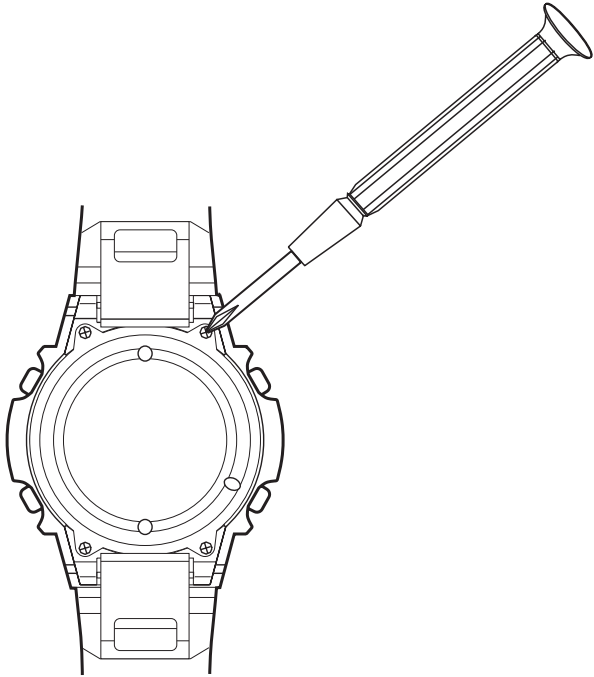
Modifying or tampering with the watch's internal components can cause a malfunction and invalidate its warranty. If your watch is not performing as it should, take it to your local RadioShack store for assistance.

## REPLACING THE BATTERY

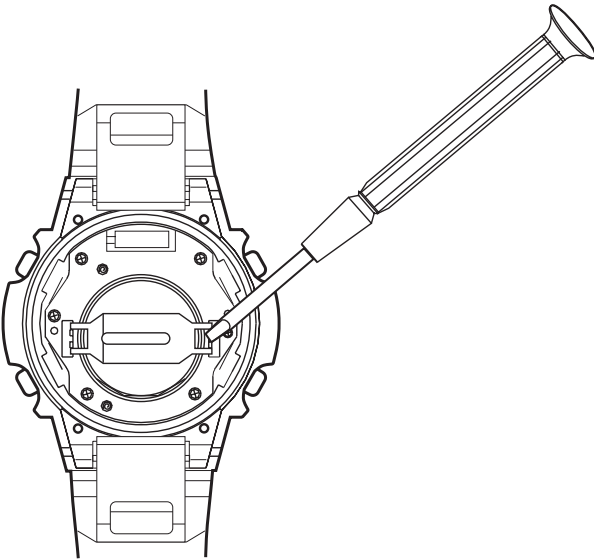
Your watch comes with one CR2025 lithium battery installed for power. When the display dims or the watch stops operating properly, replace the battery.

**Note:** The screws are small and can be easily misplaced. Be sure you note where you place them. Also, the metal clip is difficult to remove and easy to bend when re-installing. If you are unsure whether you can do this, we recommend that you take the watch to your local RadioShack store to have the battery replaced.

1. Use a Phillips screwdriver to remove the four screws from the battery compartment cover.



2. Use a flat-blade screwdriver to gently pry off the metal clip.



3. Remove the old battery. Place a fresh battery in the compartment with its positive (+) side facing up. Then replace the metal clip.
4. Replace the cover and secure it with the screws.

**Warnings:**

- Dispose of old batteries promptly and properly. Do not burn or bury them.
- Keep button-cell batteries away from children. Swallowing a button-cell battery can be fatal.

## SPECIFICATIONS

Power Source .....	CR2025 3V Lithium Battery
Clock Accuracy .....	± .67 Seconds/Day
Current Drain .....	Less Than 5 $\mu$ A
Operating Temperature .....	32°-104° F (0°-40°C)
Dimensions (HWD) .....	10 <sup>1</sup> / <sub>32</sub> × 17 <sup>7</sup> / <sub>8</sub> × 5 <sup>5</sup> / <sub>8</sub> Inches (25.5 × 4.74 × 1.59 cm)
Weight .....	1.41 oz (40 g)
Battery Life .....	80 Hours (Continuously Talk)

Specifications are typical; individual units might vary. Specifications are subject to change and improvement without notice.

### Limited One-Year Warranty

This product is warranted by RadioShack against manufacturing defects in material and workmanship under normal use for one (1) year from the date of purchase from RadioShack company-owned stores and authorized RadioShack franchisees and dealers. EXCEPT AS PROVIDED HEREIN, RadioShack MAKES NO EXPRESS WARRANTIES AND ANY IMPLIED WARRANTIES, INCLUDING THOSE OF MERCHANTABILITY AND FITNESS FOR A PARTICULAR PURPOSE, ARE LIMITED IN DURATION TO THE DURATION OF THE WRITTEN LIMITED WARRANTIES CONTAINED HEREIN. EXCEPT AS PROVIDED HEREIN, RadioShack SHALL HAVE NO LIABILITY OR RESPONSIBILITY TO CUSTOMER OR ANY OTHER PERSON OR ENTITY WITH RESPECT TO ANY LIABILITY, LOSS OR DAMAGE CAUSED DIRECTLY OR INDIRECTLY BY USE OR PERFORMANCE OF THE PRODUCT OR ARISING OUT OF ANY BREACH OF THIS WARRANTY, INCLUDING, BUT NOT LIMITED TO, ANY DAMAGES RESULTING FROM INCONVENIENCE, LOSS OF TIME, DATA, PROPERTY, REVENUE, OR PROFIT OR ANY INDIRECT, SPECIAL, INCIDENTAL, OR CONSEQUENTIAL DAMAGES, EVEN IF RadioShack HAS BEEN ADVISED OF THE POSSIBILITY OF SUCH DAMAGES.

Some states do not allow limitations on how long an implied warranty lasts or the exclusion or limitation of incidental or consequential damages, so the above limitations or exclusions may not apply to you.

In the event of a product defect during the warranty period, take the product and the RadioShack sales receipt as proof of purchase date to any RadioShack store. RadioShack will, at its option, unless otherwise provided by law: (a) correct the defect by product repair without charge for parts and labor; (b) replace the product with one of the same or similar design; or (c) refund the purchase price. All replaced parts and products, and products on which a refund is made, become the property of RadioShack. New or reconditioned parts and products may be used in the performance of warranty service. Repaired or replaced parts and products are warranted for the remainder of the original warranty period. You will be charged for repair or replacement of the product made after the expiration of the warranty period.

This warranty does not cover: (a) damage or failure caused by or attributable to acts of God, abuse, accident, misuse, improper or abnormal usage, failure to follow instructions, improper installation or maintenance, alteration, lightning or other incidence of excess voltage or current; (b) any repairs other than those provided by a RadioShack Authorized Service Facility; (c) consumables such as fuses or batteries; (d) cosmetic damage; (e) transportation, shipping or insurance costs; or (f) costs of product removal, installation, set-up service adjustment or reinstallation.

This warranty gives you specific legal rights, and you may also have other rights which vary from state to state.

RadioShack Customer Relations, 200 Taylor Street, 6th Floor, Fort Worth, TX 76102

*We Service What We Sell*

12/99