
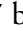
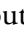







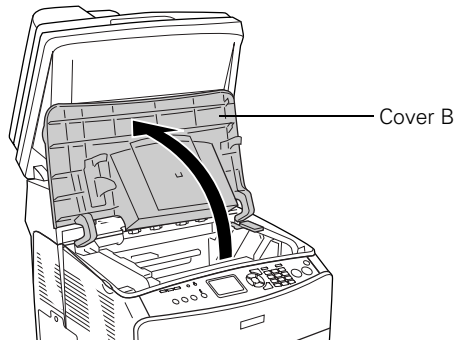
Epson AcuLaser® CX11N/CX11NF Packing Instructions

If you need to ship the AcuLaser CX11N/CX11NF, follow these steps to package it to prevent damage during transit:

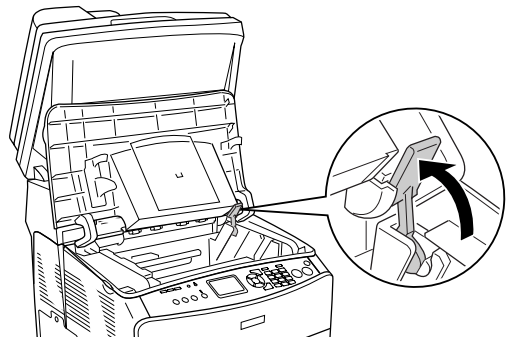
1. Make sure the CX11N/CX11NF is turned on, then press the  **Setup** button

The Setup light turns on and the LCD screen displays Setup Mode for a few seconds, then changes to the Setup menu screen.

2. Use the  or  button to select **Scan Settings**, then press the  button.
3. Use the  or  button to select **Carriage Lock**, then press the  button.
4. Set the transportation lock on the left side of the document table to the  locked position.
5. Slowly flip back the scanner until it stops.
6. Close the output tray extension, then lift up cover B.



7. Pull up the orange lever inside cover B.
8. Lift out the photoconductor using its handle.
9. Package the photoconductor in a separate box or bag large enough to hold it.



Note:

Do not remove the toner cartridges.

10. Flip down the orange lever, then close cover B.
11. Slowly push down the scanner to its original position.

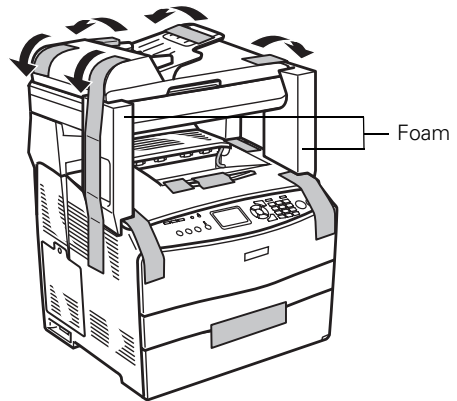
12. Turn off the CX11N/CX11NF and remove the following items:

- Any loaded paper in the MP tray
- Optional paper cassette unit (if installed; see the online *User's Guide* for more information)
- USB cable
- Power cord

13. Use shipping tape to tape the scanner and supporting foam to the printer as shown:

Caution:

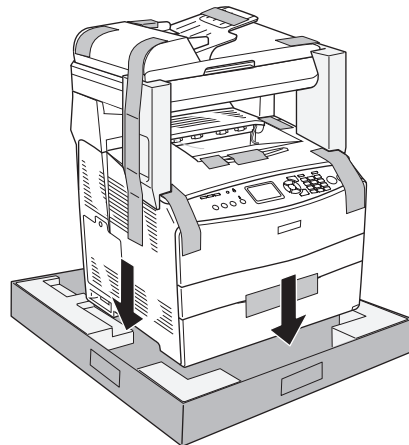
Don't forget to place the foam in-between the scanner and printer; otherwise, the scanner hinges may be damaged during shipping.



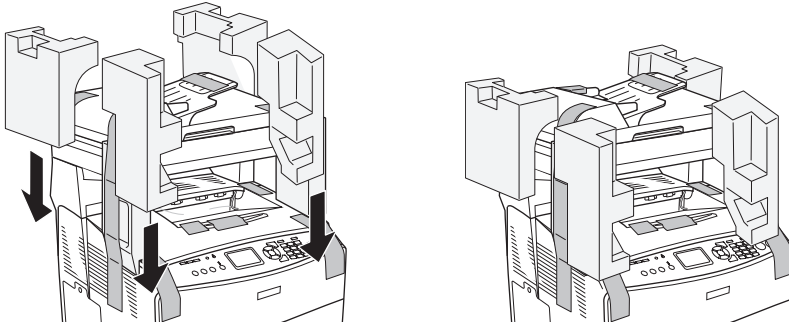
14. Place the CX11N/CX11NF in the original lower box housing.

Warning:

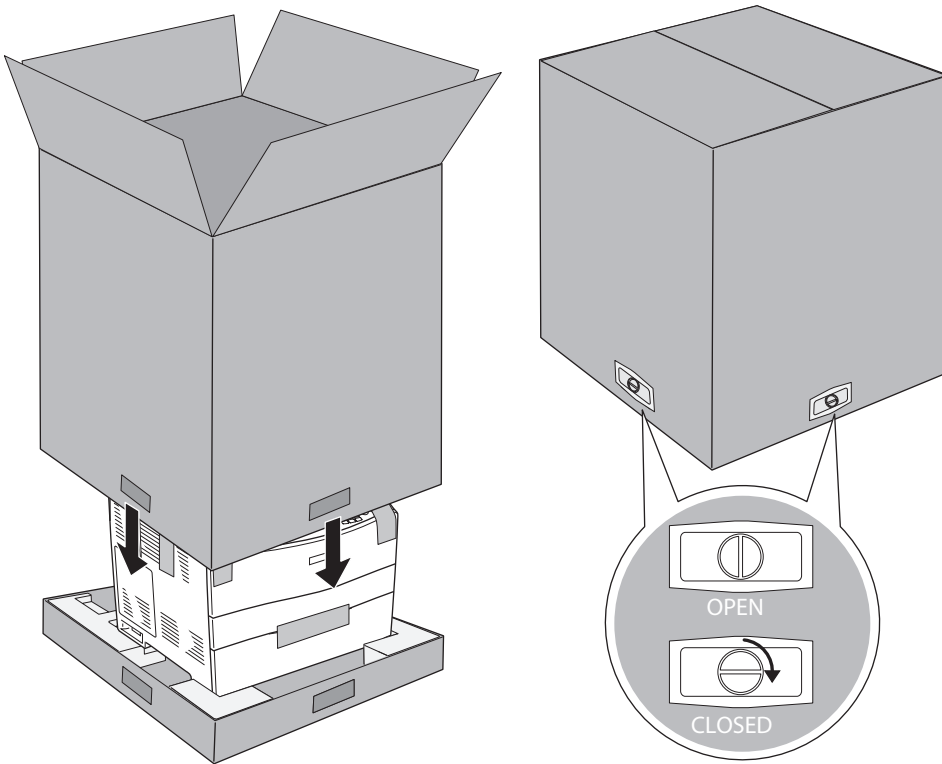
The back side of the CX11N/CX11NF is heavier than the front, so prepare for this difference as you lift. Two people should lift the CX11N/CX11NF.



15. Attach foam to the top corners of the CX11N/CX11NF as shown below:



16. Lower the top of the original box and attach the four white handles, turning them to the closed (locked) position. Then tape the top of the box closed with shipping tape.





410385300

CPD-20616
Printed in XXXXXX XX.XX-XX XXX