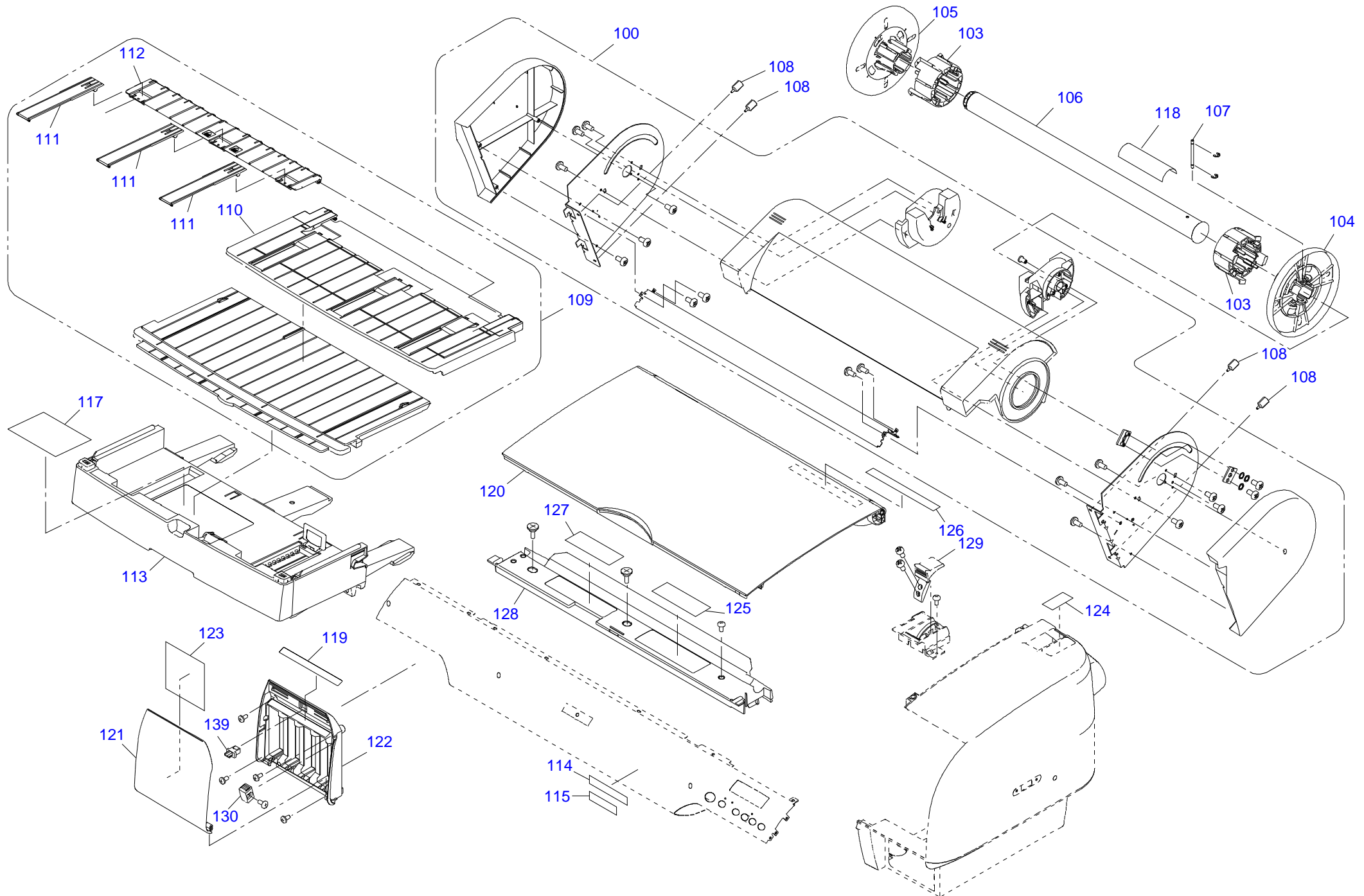


Only numbered Service Parts are available.

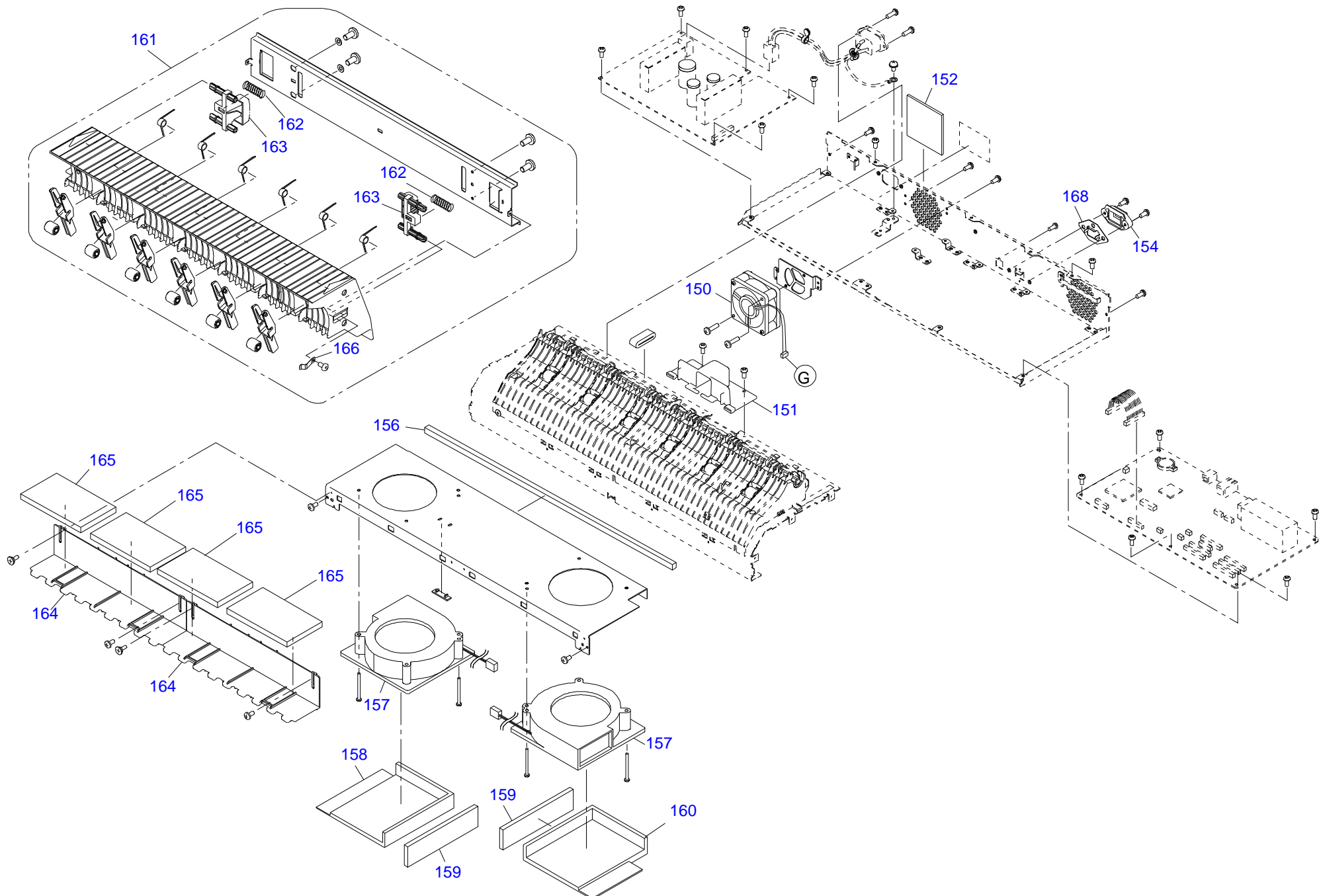


EPSON STYLUS PRO 4450 No.1

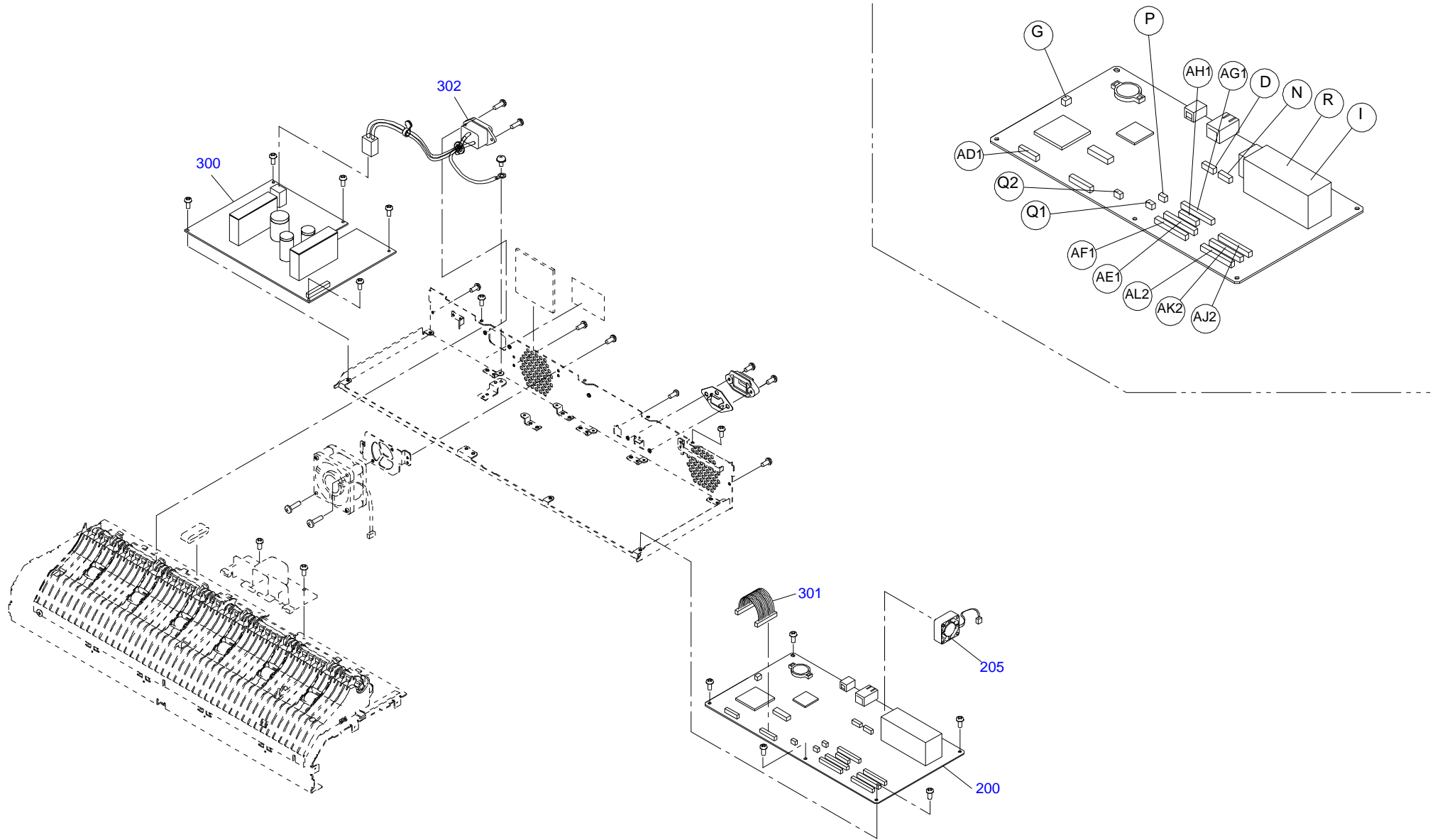
Rev.02

CA00-CASE-012C4

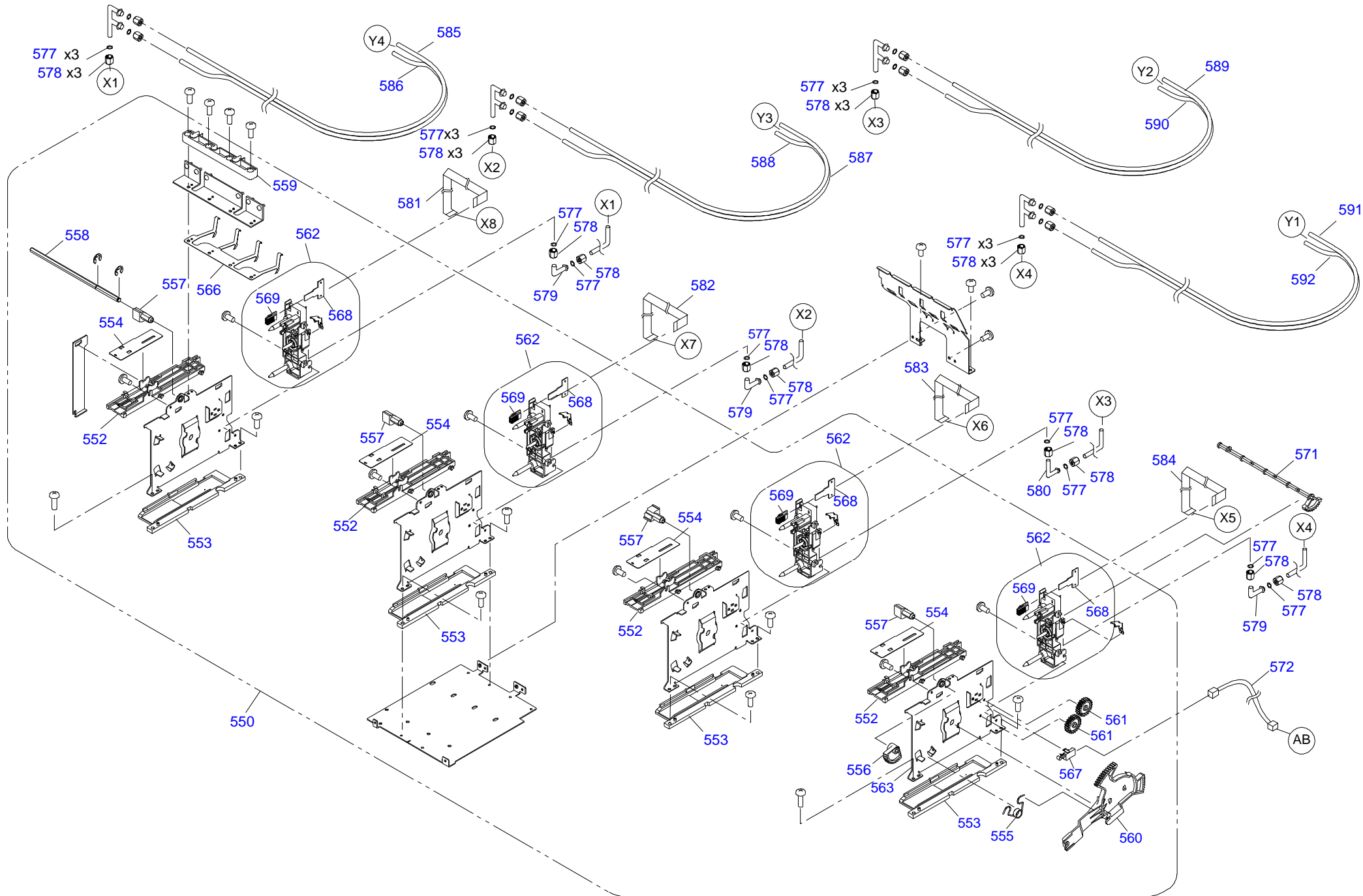
Only numbered Service Parts are available.



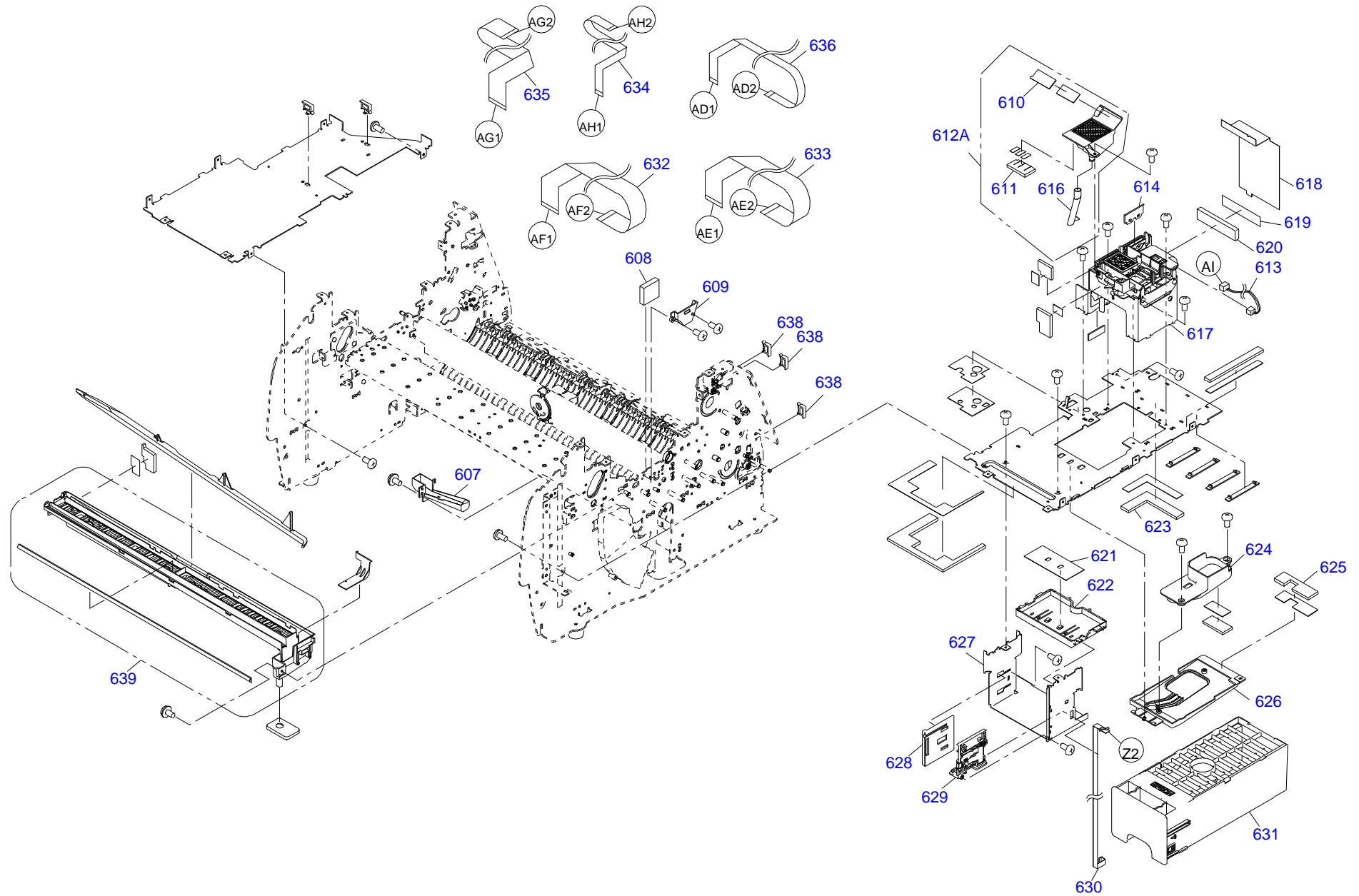
Only numbered Service Parts are available.

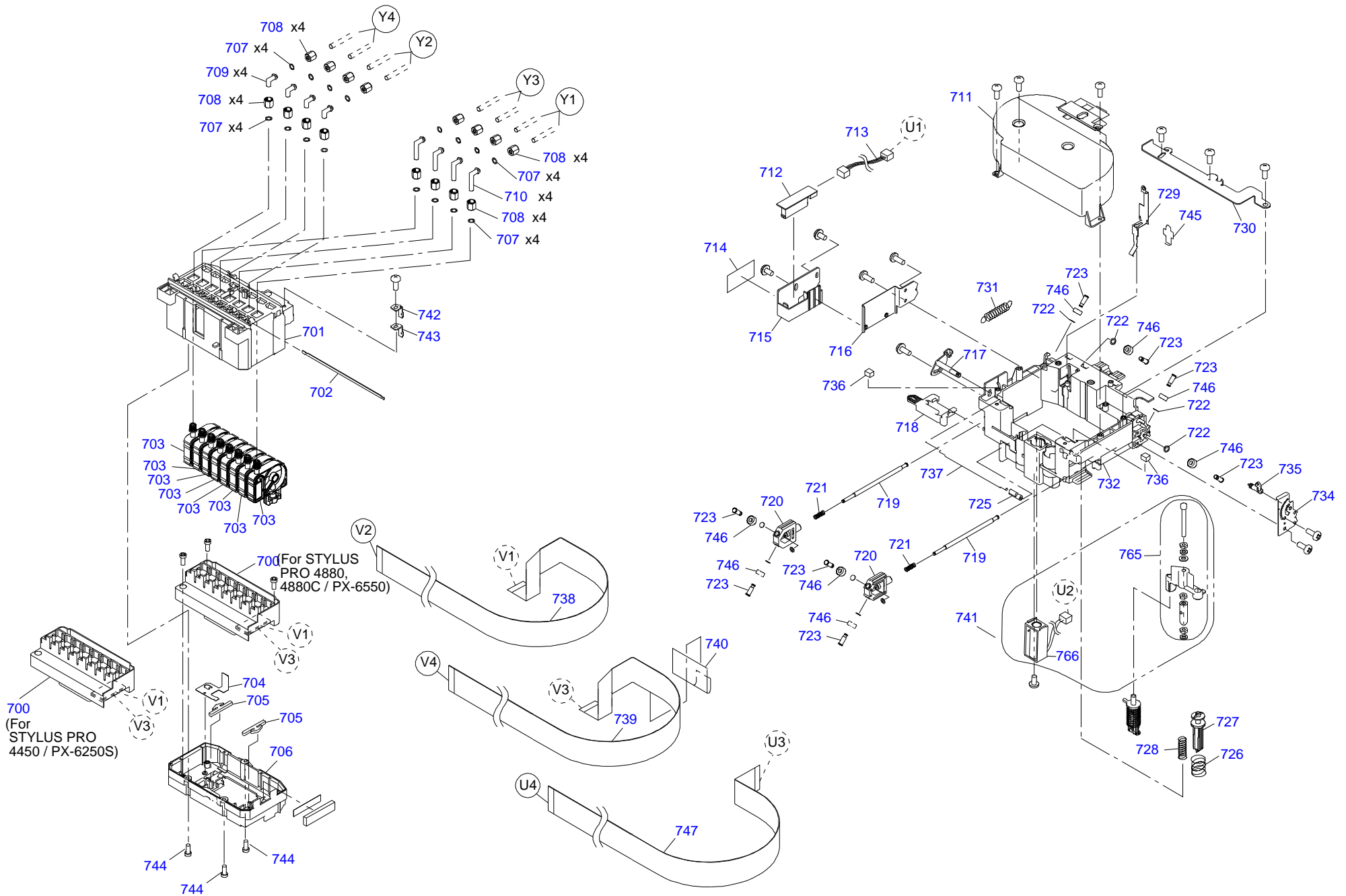


Only numbered Service Parts are available.

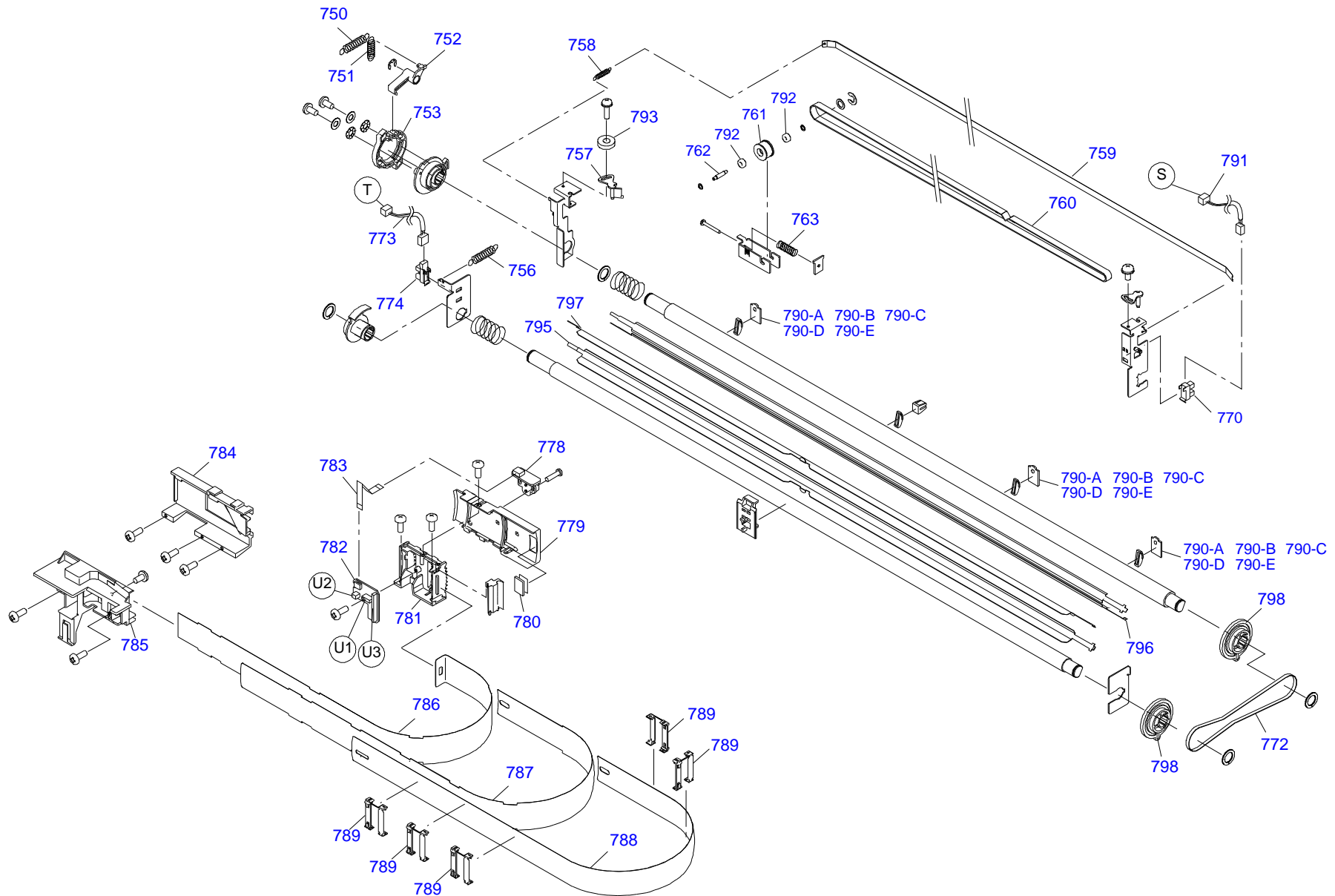


Only numbered Service Parts are available.

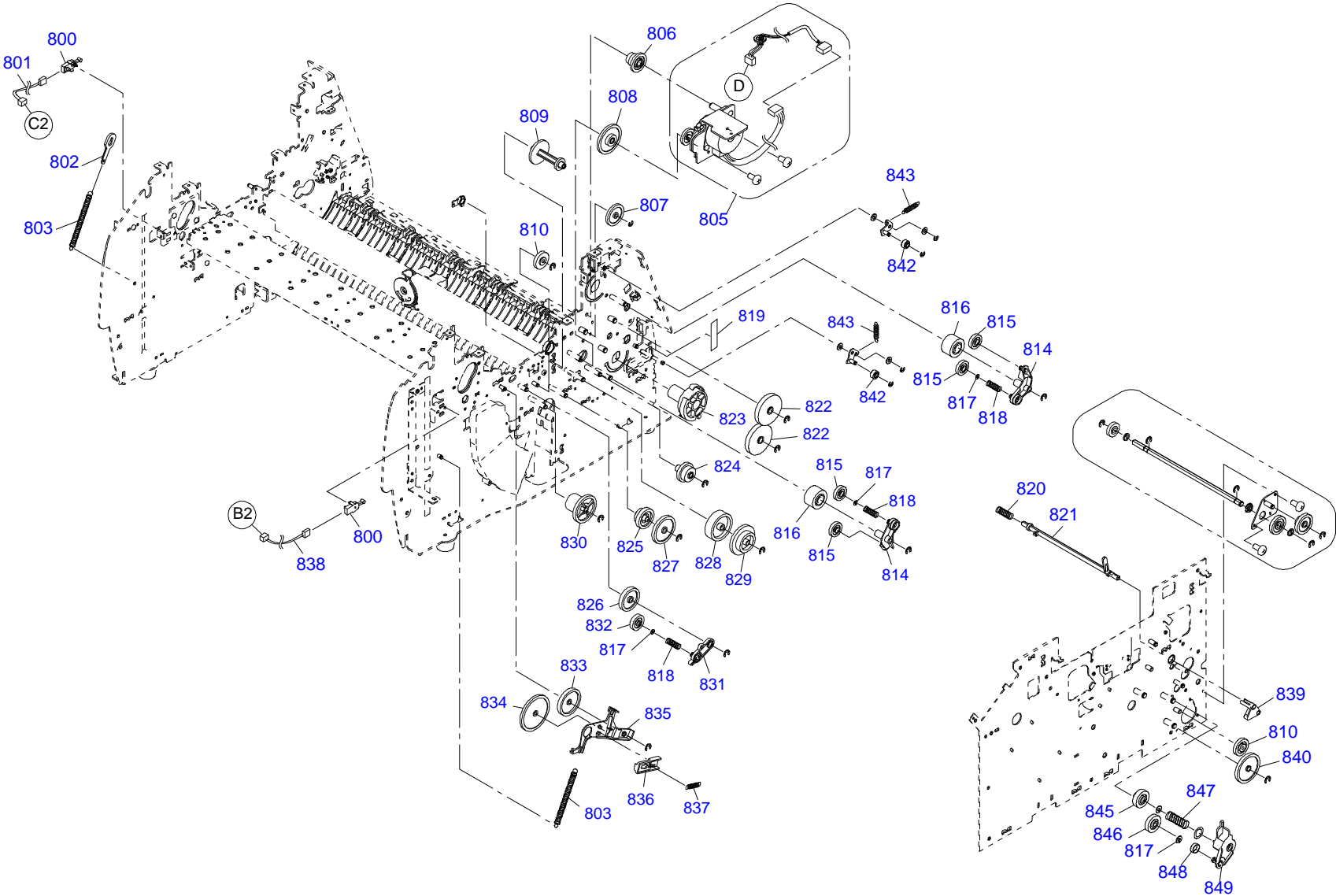


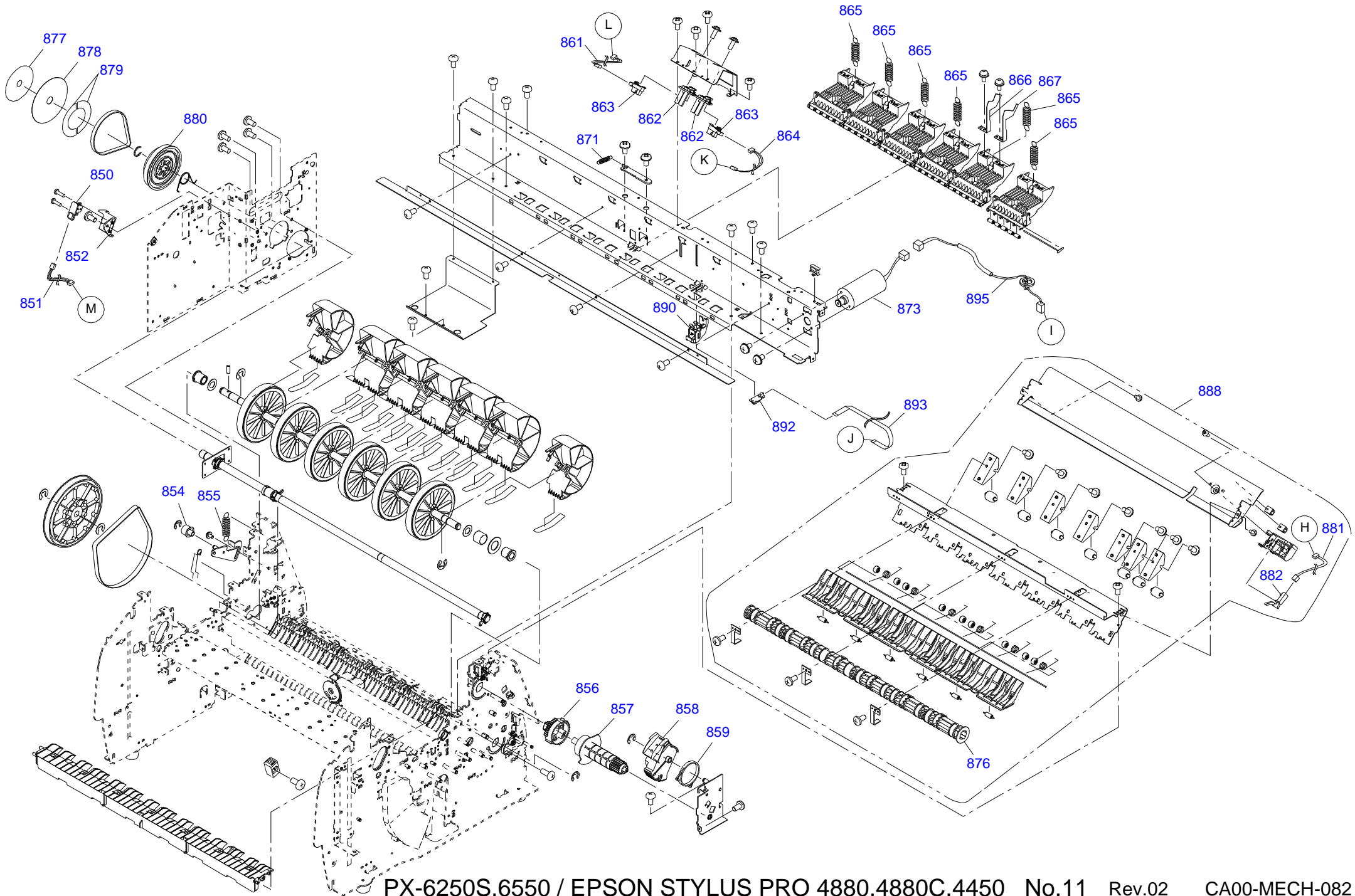


Only numbered Service Parts are available.

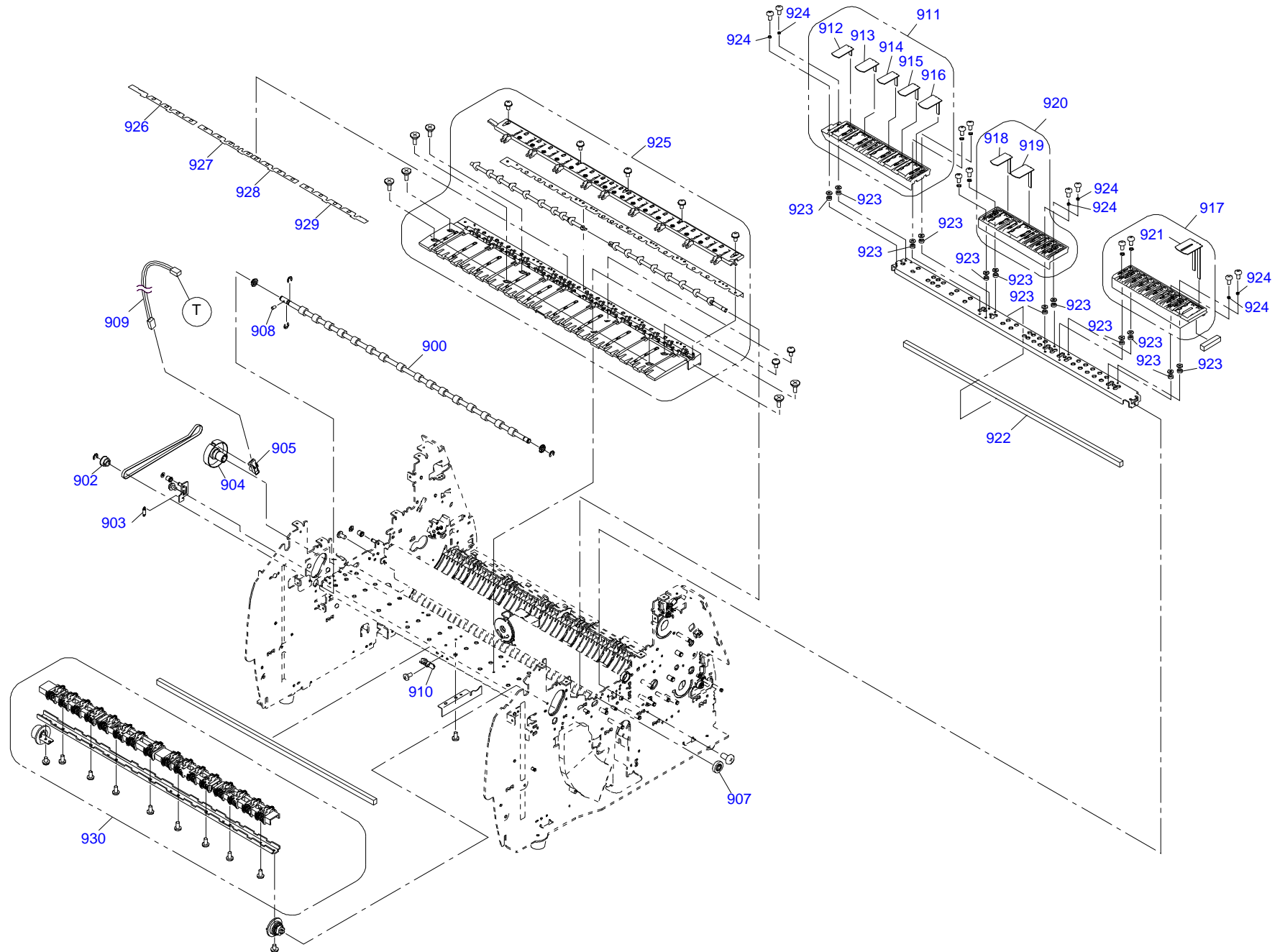


Only numbered Service Parts are available.

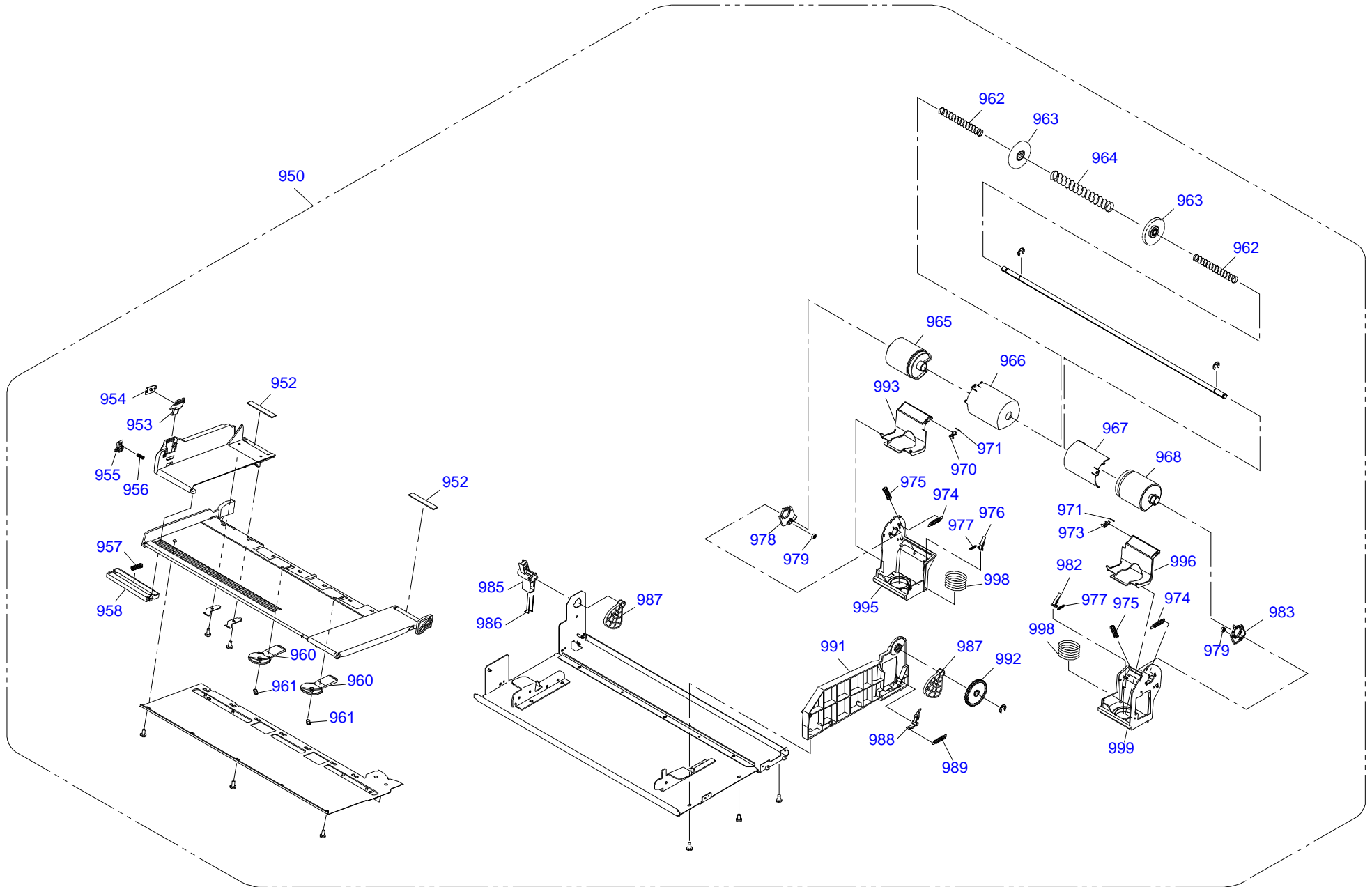




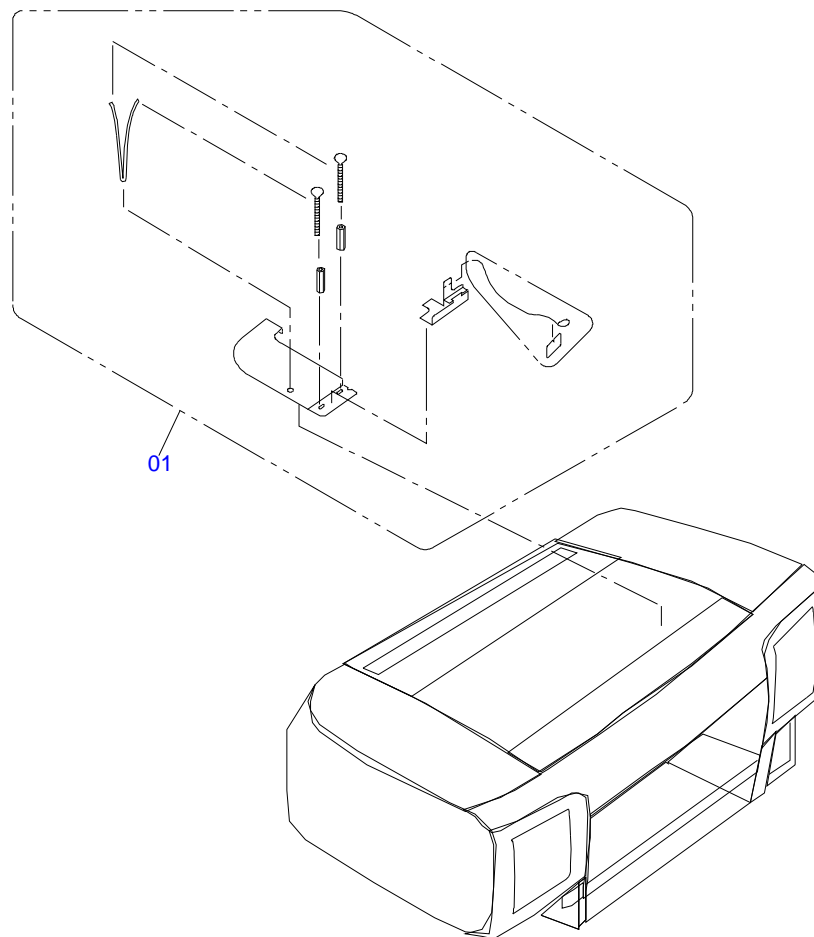
Only numbered Service Parts are available.



Only numbered Service Parts
are available.



Only numbered Service Parts
are available.



Part Code	Part Name	Ref No.	Category	Qty	Remark
1472963	INK CART.BOXED C,PIG'T;7C110AS	NON FIG	Accessories	1	
1472964	INK CART.BOXED M,PIG'T;7C110AS	NON FIG	Accessories	1	
1472965	INK CART.BOXED Y,PIG'T;7C110AS	NON FIG	Accessories	1	
1472966	INK CART.BOXED MBK,PIG'T;7C110AS	NON FIG	Accessories	1	
1472967	INK CART.BOXED 4CPB,PIG'T;7C220AS	NON FIG	Accessories	1	
3102430	SOFTWARE CD,ETT	NON FIG	Accessories	1	
3102929	SOFTWARE CD,E	NON FIG	Accessories	1	
4110705	SETTING UP MANUAL	NON FIG	Accessories	1	FOR ESP/EAL ONLY
4111028	SETTING UP MANUAL	NON FIG	Accessories	1	
1411496	HOLDER,ROLL ASSY.,C593,ESL,ASP	100	Case	1	
1104332	ADAPTER	103	Case	2	
1104330	FLANGE,RIGHT	104	Case	1	
1104331	FLANGE,LEFT	105	Case	1	
1263652	SCROLLER,SAB ASSY.	106	Case	1	
1220015	SHAFT,STOPPER,L	107	Case	1	
1264207	MAKEUP SCREW	108	Case	4	
1411500	STACKER ASSEMBLY;C593;B,ESL,ASP	109	Case	1	
1402262	STACKER;C;C593	110	Case	1	
1305049	GUIDE,STACKER;C593	111	Case	3	
1305048	STACKER,SUPPORT;C593	112	Case	1	
1411499	TRAY ASSEMBLY;C593;B,ESL,ASP	113	Case	1	
1477953	LABEL,MODEL NAME;I	114	Case	1	
1265063	LABEL,ULTRA CHROME INK	115	Case	1	
1400868	LABEL,ASF SET	117	Case	1	
1104833	LABEL,ROLLPAPER SET,2/3 INCH	118	Case	1	
1299689	LABEL,INK COLOR,LEFT;B	119	Case	1	
1305014	COVER,PRINTER;593	120	Case	1	
1305013	COVER,I/H,LEFT;C593	121	Case	1	
1231243	GUIDE,I/H,LEFT	122	Case	1	
1400730	LABEL,CHOKE CLEANING;B	123	Case	1	
1400870	LABEL,PAPER LEVER SET UP	124	Case	1	
1400869	LABEL,ACCESSORY	125	Case	1	
1402658	LABEL,ROLL PAPER SET;B	126	Case	1	
1249443	LABEL,PAPER JAMMING REMOVAL	127	Case	1	
1305017	COVER,REAR;C593	128	Case	1	
1305026	KNOB,RELEASE,LEVER;C593	129	Case	1	
1305019	KNOB,I/C,LOCK LEVER;C593	130	Case	1	
1033723	LATCH,COVER I/C	139	Case	1	
2100126	FAN MOTOR,FRAME,SHIELD	150	Case	1	
1299523	COVER,HARNES;B	151	Case	1	
1269616	FILTER,FAN ASSY.	152	Case	1	
1469116	COVER,IF,CA00	154	Case	1	
1219904	PAD,AIR SEAL,D	156	Case	1	
2103408	FAN,BLOWER,C593	157	Case	2	
1273730	COVER,FAN,LEFT	158	Case	1	
1273728	PAD,FAN	159	Case	2	
1273729	COVER,FAN,RIGHT	160	Case	1	
1411497	PAPER GUIDE,MIDDLE ASSY.,C593,ESL,ASP	161	Case	1	
1230533	COMPRESSION SPRING,3.47	162	Case	2	
1306274	LEVER,LOCK,PAPER GUIDE,MIDDLE;C593	163	Case	2	
1219923	PAPER GUIDE,PAPER EJECT,STACK	164	Case	2	
1259969	SHEET,PAPER GUIDE,PAPER EJECT,STACK	165	Case	4	
1219832	GROUND SPRING,PAPER GUIDE,MIDDLE	166	Case	1	
1469115	GROUND PLATE,IF,CA00	168	Case	1	
2117342	BOARD ASSY.,MAIN	200	Electronic Parts	1	
2115362	FAN SET. DC (PROPELLER TYPE)	205	Electronic Parts	1	
2091981	POWER SUPPLY UNIT	300	Electronic Parts	1	
2091965	HARNES	301	Electronic Parts	1	
2091966	HARNES	302	Electronic Parts	1	

2118680	PRINTER MECHANISM,M-AB62-101,ESL,ASP	500	Mechanism Parts	1
1411502	COVER ASSY.,SIDE,L,C593,ESL,ASP	501	Mechanism Parts	1
1305764	PANEL,FRONT,4C	505	Mechanism Parts	1
1246018	STOPPER,COVER PRINTER,LEFT	507	Mechanism Parts	1
1246017	STOPPER,COVER PRINTER,RIGHT	508	Mechanism Parts	1
1305018	COVER,INSIDE,RELEASE,LEVER;C593	511	Mechanism Parts	1
1411501	COVER ASSY.,SIDE,R.C593,ESL,ASP	512	Mechanism Parts	1
1249367	POROUS PAD,HOLDER,INK EJECT	513	Mechanism Parts	1
1267084	POROUS PAD,INK EJECT,SUB	514	Mechanism Parts	1
1299017	COVER,FRONT,RIGHT,4C	516	Mechanism Parts	1
1219993	FRAME,PANEL,UNDER,RIGHT	517	Mechanism Parts	1
2080893	CONTROL,PANEL	518	Mechanism Parts	1
2080201	HARNESS,PANEL	519	Mechanism Parts	1
1305008	LOGO PLATE,13X54;G	520	Mechanism Parts	1
1469905	HOLDER ASSY.,IC,LEFT,CA00,ESL ASP	550	Mechanism Parts	1
1091090	FRAME,HOLDER,IC,UPPER	552	Mechanism Parts	4
1091091	FRAME,HOLDER,IC,LOWER	553	Mechanism Parts	4
1091094	PRESSING PLATE,IC	554	Mechanism Parts	4
1091096	TORSION SPRING,158.6	555	Mechanism Parts	1
1091098	FAN GEAR,34	556	Mechanism Parts	1
1091099	CAM,IC,FIXING	557	Mechanism Parts	4
1219632	SHAFT,LOCK,IC	558	Mechanism Parts	1
1219633	FRAME,I/S,TOP	559	Mechanism Parts	1
1219661	LEVER,IC,OPERATE	560	Mechanism Parts	1
1219663	SPUR GEAR,22	561	Mechanism Parts	2
1469904	FRAME ASSY.,NEEDLE,CA00,ESL ASP	562	Mechanism Parts	4
1230884	MOUNTING PLATE ASSY.,HOLDER,IC,R	563	Mechanism Parts	1
1264224	GROUND PLATE,IH	566	Mechanism Parts	1
2020393	DETECTOR,LEAF,B2	567	Mechanism Parts	1
2060507	BOARD ASSY.,IC	568	Mechanism Parts	4
2060220	CONNECTOR,CARTRIDGE,A	569	Mechanism Parts	4
1219660	CAM,VALVE	571	Mechanism Parts	1
2078939	HARNESS,I/S,L	572	Mechanism Parts	1
1056164	ORING,CONECTOR M7	577	Mechanism Parts	20
1091107	CONNECTING SCREW,M7	578	Mechanism Parts	20
1235237	JOINT,3	579	Mechanism Parts	3
1249356	JOINT,3,L	580	Mechanism Parts	1
2082704	HARNESS,CSIC,MB	581	Mechanism Parts	1
2082705	HARNESS,CSIC,C	582	Mechanism Parts	1
2082706	HARNESS,CSIC,M	583	Mechanism Parts	1
2082707	HARNESS,CSIC,Y	584	Mechanism Parts	1
1299884	TUBE,SUPPLY,INK,K1	585	Mechanism Parts	1
1299886	TUBE,SUPPLY,INK,K2	586	Mechanism Parts	1
1299887	TUBE,SUPPLY,INK,C1	587	Mechanism Parts	1
1299888	TUBE,SUPPLY,INK,C2	588	Mechanism Parts	1
1299889	TUBE,SUPPLY,INK,M1	589	Mechanism Parts	1
1299890	TUBE,SUPPLY,INK,M2	590	Mechanism Parts	1
1299891	TUBE,SUPPLY,INK,Y1	591	Mechanism Parts	1
1299892	TUBE,SUPPLY,INK,Y2	592	Mechanism Parts	1
1442067	GUTTER ASSY.,INK EJECT,ESL,ASP	607	Mechanism Parts	1
1264116	SPACER,FRAME,PAPER GUIDE,FRONT	608	Mechanism Parts	1
1262677	INDUCTION DUCT	609	Mechanism Parts	1
1270335	POROUS PAD,BOX,FL,UPPER	610	Mechanism Parts	1
1270047	POROUS PAD,BOX,FL,LOWER	611	Mechanism Parts	1
1408200	BOX ASSY.,FLUSHING ASSY.;ESL ASP	612A	Mechanism Parts	1
2082701	HARNESS,PUMP,PHASE DETECTION	613	Mechanism Parts	1
1407807	CLEANER,HEAD,A,ASP	614	Mechanism Parts	1
1264516	JOINT,BOX,FLUSHING	616	Mechanism Parts	1
1408199	PUMP CAP ASSY. ESL,ASP	617	Mechanism Parts	1
1270025	SHEET,INK,STOPPER,C	618	Mechanism Parts	1
1276759	TAPE,INK,STOPPER,C	619	Mechanism Parts	1
1276758	POROUS PAD,INK,STOPPER,C	620	Mechanism Parts	1

1220013	LEAF SPRING,LOCK	621	Mechanism Parts	1
1219997	GUIDE RAIL,INK EJECT BOX,UPPER	622	Mechanism Parts	1
1270023	POROUS PAD,GUIDE,INK EJECT,B	623	Mechanism Parts	1
1234019	GUIDE,INK EJECT,B	624	Mechanism Parts	1
1270022	POROUS PAD,GUIDE,INK EJECT,A	625	Mechanism Parts	1
1234018	GUIDE,INK EJECT,A	626	Mechanism Parts	1
1220006	BRACKET,INK EJECT BOX	627	Mechanism Parts	1
1219992	GUIDE RAIL,INK EJECT BOX,LEFT	628	Mechanism Parts	1
1408203	HOLDER ASSY.,BOARD,INK EJECT;ESL ASP	629	Mechanism Parts	1
2080880	HARNESS,CSIC,MT	630	Mechanism Parts	1
1402073	POROUS PAD ASSY.,INK EJECT	631	Mechanism Parts	1
2091558	HARNESS,R1,C593	632	Mechanism Parts	1
2091559	HARNESS,R2,C593	633	Mechanism Parts	1
2091556	HARNESS,L1,C593	634	Mechanism Parts	1
2091557	HARNESS,L2,C593	635	Mechanism Parts	1
2091560	HARNESS,PANEL,INTERMIT,C593	636	Mechanism Parts	1
1250214	RECYCL CLAMP	638	Mechanism Parts	3
1411491	GUTTER,INK ASSY.C593,ESL,ASP	639	Mechanism Parts	1
2091668	BOARD ASSY.,SUB	650	Mechanism Parts	1
1219871	DUCT,AIR,E	651	Mechanism Parts	1
1230520	EXTENSION SPRING,2.55	652	Mechanism Parts	3
1249354	GUIDE,FFC	653	Mechanism Parts	1
1230530	EXTENSION SPRING,13.05	654	Mechanism Parts	1
2091572	MOTOR ASSY.,PF,C593	655	Mechanism Parts	1
1219869	DUCT,AIR,D	656	Mechanism Parts	1
1219926	ROLLER,PAPER GUIDE	661	Mechanism Parts	17
2020393	DETECTOR,LEAF,B2	662	Mechanism Parts	1
1400748	LABEL,CUTTER CHANGE	663	Mechanism Parts	1
2091566	HARNESS,FAN,A,C593	665	Mechanism Parts	1
2091567	HARNESS,FAN,B,C593	666	Mechanism Parts	1
1219868	DUCT,AIR,A	669	Mechanism Parts	1
2078977	HARNESS,COVER OPEN	670	Mechanism Parts	1
1269667	LEVER,ROLLER,SUB	671	Mechanism Parts	1
1270018	COVER,DUCT,C	672	Mechanism Parts	1
1270044	PAD,DUCT,RIGHT LOWER	673	Mechanism Parts	1
1219867	DUCT,AIR,C	674	Mechanism Parts	1
2080063	BOARD ASSY.,SUB-B	675	Mechanism Parts	1
2100128	MOTOR ASSY.,PG	678	Mechanism Parts	1
1219759	SPUR GEAR,36	679	Mechanism Parts	1
1230523	EXTENSION SPRING,11.4	680	Mechanism Parts	1
1249388	COMBINATION GEAR,13.6,20.8	681	Mechanism Parts	1
1219767	SPUR GEAR,16	682	Mechanism Parts	1
1219760	COMBINATION GEAR,40,20	683	Mechanism Parts	1
1219758	COMBINATION GEAR,56,8.8	684	Mechanism Parts	1
1219870	DUCT,AIR,B	685	Mechanism Parts	1
1270020	PAD,DUCT,E	687	Mechanism Parts	1
1264223	GROUND SPRING,PAPER GUIDE,MIDDLE,LEFT	688	Mechanism Parts	1
2020393	DETECTOR,LEAF,B2	689	Mechanism Parts	1
1265567	COVER,DETECTOR,PAPER GUIDE,MIDDLE	690	Mechanism Parts	1
2091571	HARNESS,DETECTOR,PAPER GUIDE CENTER,C593	691	Mechanism Parts	1
1276760	POROUS PAD,FRAME,SUB,RIGHT	693	Mechanism Parts	1
1273504	CASE FEET,CP-30-FF-4A,BLACK	694	Mechanism Parts	4
2091670	BOARD ASSY.,SUB	695	Mechanism Parts	1
2091561	HARNESS,HEAD,INTERMIT,A	696	Mechanism Parts	1
2091562	HARNESS,HEAD,INTERMIT,B	697	Mechanism Parts	1
F160010	PRINT HEAD	700	Mechanism Parts	1
1290785	CARRIAGE,B;B	701	Mechanism Parts	1
1219751	PLATE,DAMPER	702	Mechanism Parts	1
1419222	VALVE ASSY.,HEAD;C,ESL,ASP	703	Mechanism Parts	8
1287667	GROUND PLATE,A;B	704	Mechanism Parts	1
1264620	POROUS PAD,CR	705	Mechanism Parts	2
1298921	CARRIAGE,C,C593	706	Mechanism Parts	1

1056164	ORING,CONNECTOR M7	707	Mechanism Parts	16
1091107	CONNECTING SCREW,M7	708	Mechanism Parts	16
1235237	JOINT,3	709	Mechanism Parts	4
1249356	JOINT,3,L	710	Mechanism Parts	4
1306275	COVER,CR;C593	711	Mechanism Parts	1
2080204	BOARD ASSY.,MULTISENSOR	712	Mechanism Parts	1
2078962	HARNESS,MULTISENSOR	713	Mechanism Parts	1
1261387	LABEL,CUT POSITION	714	Mechanism Parts	1
1219716	HOLDER,MULTISENSOR	715	Mechanism Parts	1
1300413	PLATE,BEARING,R;B	716	Mechanism Parts	1
1219748	CAM,INCLINATION,R	717	Mechanism Parts	1
1400962	LEVER,FASTEN,FOR TRANSFER;B	718	Mechanism Parts	1
1219709	SHAFT,CONNECTION	719	Mechanism Parts	2
1219711	HOLDER,BEARING	720	Mechanism Parts	2
1272861	COMPRESSION SPRING,27.8	721	Mechanism Parts	2
1260145	POLY SLIDER,STW-FT40,t=0.25	722	Mechanism Parts	4
1219708	SHAFT,BEARING	723	Mechanism Parts	8
1219747	CAM,INCLINATION,L	725	Mechanism Parts	1
1230518	COMPRESSION SPRING,0.191	726	Mechanism Parts	1
1219730	SLIDER,CR LOCK	727	Mechanism Parts	1
1230517	COMPRESSION SPRING,0.52	728	Mechanism Parts	1
1287668	GROUND PLATE,B;B	729	Mechanism Parts	1
1219712	LEVER,INCLINATION	730	Mechanism Parts	1
1230515	EXTENSION SPRING,3.81	731	Mechanism Parts	1
1290784	CARRIAGE,A;B	732	Mechanism Parts	1
1298928	PLATE,BEARING,L,C593	734	Mechanism Parts	1
1298927	LEVER,CAM,C593	735	Mechanism Parts	1
1274133	STOPPER,CARRIAGE	736	Mechanism Parts	2
1219739	SHAFT,INCLINATION CAM	737	Mechanism Parts	1
2091563	HARNESS,HEAD,A	738	Mechanism Parts	1
2091565	HARNESS,HEAD,C	739	Mechanism Parts	1
1276768	SHEET,FFC	740	Mechanism Parts	1
1411503	SOLENOID ASSY.,CR,C593,ESL,ASP	741	Mechanism Parts	1
1290562	ADJUST PLATE,CR,UPPER	742	Mechanism Parts	1 STANDARD APPENDING
1290563	ADJUST PLATE,CR,LOWER	743	Mechanism Parts	1 ADDITION IF NECESSARY
1284487	C.P.P-TITE SCREW,2.6X8,F/ZN-3C	744	Mechanism Parts	3
1278341	SPACER,CARRIAGE A	745	Mechanism Parts	1
1076308	BALL BEARING(B210151490)	746	Mechanism Parts	8
2091564	HARNESS,HEAD,B	747	Mechanism Parts	1
1230523	EXTENSION SPRING,11.4	750	Mechanism Parts	1
1230520	EXTENSION SPRING,2.55	751	Mechanism Parts	1
1219777	LEVER,LOCK,PG	752	Mechanism Parts	1
1306183	BUSHING,LOCK;B	753	Mechanism Parts	1
1234017	EXTENSION SPRING,2.58	756	Mechanism Parts	1
1219741	LEVER,SCALE,CR	757	Mechanism Parts	1
1230519	EXTENSION SPRING,3.86	758	Mechanism Parts	1
1406540	SCALE,CR	759	Mechanism Parts	1
1219744	BELT,CR	760	Mechanism Parts	1
1219720	PULLEY,DRIVEN	761	Mechanism Parts	1
1219721	SHAFT,PULLEY	762	Mechanism Parts	1
1234322	COMPRESSION SPRING,29.4	763	Mechanism Parts	1
1478893	HOLDER SOLENOID UNIT ASP	765	Mechanism Parts	1
2093777	SOLENOID,CR,C593	766	Mechanism Parts	1
2032842	DETECTOR,HP;E	770	Mechanism Parts	1
1230524	BELT,PG	772	Mechanism Parts	1
2078958	HARNESS,DETECTOR,PG	773	Mechanism Parts	1
2032842	DETECTOR,HP;E	774	Mechanism Parts	1
1476585	BOARD ASSY.,ENCODER,CA00	778	Mechanism Parts	1
1298925	HOLDER,TUBE,B,C593	779	Mechanism Parts	1
1270045	PAD,TUBE	780	Mechanism Parts	1
1298924	HOLDER,TUBE,A,C593	781	Mechanism Parts	1
2091666	BOARD ASSY.,SUB	782	Mechanism Parts	1

2078961	HARNES,ENCODER	783	Mechanism Parts	1
1298922	COVER,TUBE,C593	784	Mechanism Parts	1
1298923	GUIDE,TUBE,CR,C593	785	Mechanism Parts	1
1234020	SHEET,TUBE	786	Mechanism Parts	1
1451006	GUIDE PLATE TUBE B,ASP,ESL	787	Mechanism Parts	1
1219727	SHEET,SUS	788	Mechanism Parts	1
1298929	HOLDER,FFC,C593	789	Mechanism Parts	5
1278337	SPACER,MIDDLE,0.05	790-A	Mechanism Parts	1 Q'ty changed by adjustment
1278338	SPACER,MIDDLE,0.1	790-B	Mechanism Parts	1 Q'ty changed by adjustment
1278339	SPACER,MIDDLE,0.2	790-C	Mechanism Parts	1 Q'ty changed by adjustment
1278340	SPACER,MIDDLE,0.5	790-D	Mechanism Parts	1 Q'ty changed by adjustment
1278824	SPACER,MIDDLE,0.08	790-E	Mechanism Parts	1 Q'ty changed by adjustment
2078957	HARNES,DETECTOR,HP	791	Mechanism Parts	1
1076308	BALL BEARING(B210151490)	792	Mechanism Parts	2
1419345	WEIGHT,SCALE,CR	793	Mechanism Parts	1
1270350	PLATE,LINEAR,FRONT,B	795	Mechanism Parts	1
1270352	PLATE,LINEAR,REAR,A	796	Mechanism Parts	1
1270349	PLATE,LINEAR,FRONT,A	797	Mechanism Parts	1
1219753	PULLEY,SHAFT,CR	798	Mechanism Parts	2
2020393	DETECTOR,LEAF,B2	800	Mechanism Parts	2
2078954	HARNES,PAPER EJECT PHASE,LEFT	801	Mechanism Parts	1
1219914	LEVER,CHANGE PAPER EJECT,L	802	Mechanism Parts	1
1230544	EXTENSION SPRING,6.99	803	Mechanism Parts	2
1411495	MOUNT PLATE,MOTOR,ASF ASSY.,C593,ESL,ASP	805	Mechanism Parts	1
1219686	COMBINATION GEAR,12,22.4	806	Mechanism Parts	1
1219691	SPUR GEAR,25.6	807	Mechanism Parts	1
1219693	COMBINATION GEAR,12.8,36	808	Mechanism Parts	1
1219688	COMBINATION GEAR,13.6,28.8	809	Mechanism Parts	1
1219768	SPUR GEAR,20	810	Mechanism Parts	2
1405100	HOLDER,PLANET,RELEASE;B	814	Mechanism Parts	2
1219821	SPUR GEAR,16,RELEASE	815	Mechanism Parts	4
1219820	SPUR GEAR,22,RELEASE	816	Mechanism Parts	2
1264474	POLY SLIDER,STW-FT70,t=0.25	817	Mechanism Parts	4
1035494	COMPRESSION SPRING,0.98	818	Mechanism Parts	3
1270016	SHEET,FRAME,RIGHT	819	Mechanism Parts	1
1230512	EXTENSION SPRING,2.41	820	Mechanism Parts	1
1219681	LEVER,LOCK,DE	821	Mechanism Parts	1
1230539	SPUR GEAR,38	822	Mechanism Parts	2
1219822	INTERMITTENT GEAR,RELEASE,TRANSMIT	823	Mechanism Parts	1
1219818	COMBINATION GEAR,22,16.8	824	Mechanism Parts	1
1219695	COMBINATION GEAR,16.74,24	825	Mechanism Parts	1
1219883	SPUR GEAR,28	826	Mechanism Parts	1
1219890	SPUR GEAR,33.6,B	827	Mechanism Parts	1
1219694	SPUR GEAR,33.6	828	Mechanism Parts	1
1219891	COMBINATION GEAR,24,36	829	Mechanism Parts	1
1219886	COMBINATION GEAR,19.2,33.6	830	Mechanism Parts	1
1219888	HOLDER,PLANET,CHANGE PAPER EJECT	831	Mechanism Parts	1
1219889	SPUR GEAR,17.6,PLANET	832	Mechanism Parts	1
1219885	SPUR GEAR,32.8,A	833	Mechanism Parts	1
1219916	SPUR GEAR,44,PAPER EJECT	834	Mechanism Parts	1
1219909	LEVER,CHANGE PAPER EJECT,R	835	Mechanism Parts	1
1295050	LEVER,LOCK,CHANGE PAPER EJECT,R;B	836	Mechanism Parts	1
1230543	EXTENSION SPRING,6.71	837	Mechanism Parts	1
2080879	HARNES,PAPER EJECT PHASE,RIGHT	838	Mechanism Parts	1
1219764	LEVER,LOCK,PLANET	839	Mechanism Parts	1
1219761	COMBINATION GEAR,36,8.8	840	Mechanism Parts	1
1268703	ROLLER ASSY.,BRAKE	842	Mechanism Parts	2
1268894	EXTENSION SPRING,1.38	843	Mechanism Parts	2
1219765	SPUR GEAR,20,PLANET	845	Mechanism Parts	1
1219763	SPUR GEAR,16,PLANET	846	Mechanism Parts	1
1230525	COMPRESSION SPRING,3.38	847	Mechanism Parts	1
1264206	COMPRESSION SPRING,0.78	848	Mechanism Parts	1

1219762	HOLDER,PLANET	849	Mechanism Parts	1
2035504	BOARD ASSY.,ENCODER	850	Mechanism Parts	1
2078975	HARNESS,ENCODER,PF	851	Mechanism Parts	1
1219802	HOLDER,SENSOR	852	Mechanism Parts	1
1219809	PULLEY,BELT TENSION	854	Mechanism Parts	1
1230531	EXTENSION SPRING,15.98	855	Mechanism Parts	1
1230536	INTERMITTENT GEAR,40	856	Mechanism Parts	1
1230537	SPUR GEAR,18	857	Mechanism Parts	1
1219843	LEVER,RELEASE,ROLLER,DRIVEN	858	Mechanism Parts	1
1230535	TORSION SPRING,615	859	Mechanism Parts	1
2078940	HARNESS,PAPER THICKNESS,1	861	Mechanism Parts	1
1219853	HOLDER,DETECTOR,PAPER THICKNESS	862	Mechanism Parts	2
2032842	DETECTOR,HP;E	863	Mechanism Parts	2
2078955	HARNESS,PAPER THICKNESS,2	864	Mechanism Parts	1
1230534	EXTENSION SPRING,8.08	865	Mechanism Parts	6
1219851	LEVER,DETECTOR,PAPER THICKNESS,A	866	Mechanism Parts	1
1219852	LEVER,DETECTOR,PAPER THICKNESS,B	867	Mechanism Parts	1
1270673	EXTENSION SPRING,0.22	871	Mechanism Parts	1
2100038	MOTOR ASSY.,CR	873	Mechanism Parts	1
1219845	SHAFT,RELEASE,ROLLER,DRIVEN	876	Mechanism Parts	1
1048898	MOUNTING PLATE,SCALE	877	Mechanism Parts	1
1056148	SCALE,PF	878	Mechanism Parts	1
1230542	TAPE,PULLY,PF	879	Mechanism Parts	2
1219798	PULLEY,ROLLER,PF	880	Mechanism Parts	1
2078953	HARNESS,HAND INSERTION,REAR	881	Mechanism Parts	1
2021301	DETECTOR,PE	882	Mechanism Parts	1
1411494	RELEASE ASSY.,C593,ESL,ASP	888	Mechanism Parts	1
1219850	HOLDER,DETECTOR,PE	890	Mechanism Parts	1
2023967	BOARD ASSY.,PW	892	Mechanism Parts	1
2078976	HARNESS,DETECTOR,PE	893	Mechanism Parts	1
2100039	HARNESS,MOTOR,CR	895	Mechanism Parts	1
1219908	ROLLER ASSY.,PAPER EJECT	900	Mechanism Parts	1
1219919	PULLEY,PAPER EJECT ROLLER	902	Mechanism Parts	1
1230547	EXTENSION SPRING,0.871	903	Mechanism Parts	1
1219961	WHEEL,DETECTION	904	Mechanism Parts	1
2032842	DETECTOR,HP;E	905	Mechanism Parts	1
1219882	SPUR GEAR,15.2	907	Mechanism Parts	1
1048957	SCALLOP SPRING PIN-AW,2X10,F/B	908	Mechanism Parts	1
2078956	HARNESS,LOAD PHASE	909	Mechanism Parts	1
1219922	HOLDER,PAPER EJECT ROLLER	910	Mechanism Parts	1
1411490	PAPER GUIDE,FRONT,LEFT,ASSY.ESL,ASP	911	Mechanism Parts	1
1298943	POROUS PAD,PAPER GUIDE,FRONT,I	912	Mechanism Parts	1
1298942	POROUS PAD,PAPER GUIDE,FRONT,H	913	Mechanism Parts	1
1298941	POROUS PAD,PAPER GUIDE,FRONT,G	914	Mechanism Parts	1
1298940	POROUS PAD,PAPER GUIDE,FRONT,F	915	Mechanism Parts	1
1298939	POROUS PAD,PAPER GUIDE,FRONT,E	916	Mechanism Parts	1
1411488	PAPER GUIDE,FRONT,RIGHT,ASSY.ESL,ASP	917	Mechanism Parts	1
1298937	POROUS PAD,PAPER GUIDE,FRONT,C	918	Mechanism Parts	1
1298936	POROUS PAD,PAPER GUIDE,FRONT,B	919	Mechanism Parts	1
1411489	PAPER GUIDE,FRONT,MIDDLE,ASSY.ESL,ASP	920	Mechanism Parts	1
1298938	POROUS PAD,PAPER GUIDE,FRONT,D	921	Mechanism Parts	1
1269614	PAD,AIRSEAL,E	922	Mechanism Parts	1
1219865	BUSHING,SPACER,PLATEN	923	Mechanism Parts	12
1270015	SPACER,PAPER EJECT	924	Mechanism Parts	6
1442071	PAPER GUIDE,REAR ASSY.,C593,ESL,ASP	925	Mechanism Parts	1
1264203	SPACER,PLATE,CUTTER,D	926	Mechanism Parts	1 Q'ty changed by adjustment
1264202	SPACER,PLATE,CUTTER,C	927	Mechanism Parts	1 Q'ty changed by adjustment
1264201	SPACER,PLATE,CUTTER,B	928	Mechanism Parts	1 Q'ty changed by adjustment
1264200	SPACER,PLATE,CUTTER,A	929	Mechanism Parts	1 Q'ty changed by adjustment
1411493	STAR WHEEL ASSY.,C593,ESL,ASP	930	Mechanism Parts	1
1411492	ASF UNIT,C593,ESL,ASP	950	Mechanism Parts	1
1219949	CORK,PAPER FEED	952	Mechanism Parts	2

1306271	LEVER,EDGE GUIDE;C593	953	Mechanism Parts	1	
1306272	COVER,EDGE GUIDE;C593	954	Mechanism Parts	1	
1035697	LEVER,LOCK,EDGE GUIDE	955	Mechanism Parts	1	
1035696	COMPRESSION SPRING,0.46	956	Mechanism Parts	1	
1030960	COMPRESSION SPRING,3.23	957	Mechanism Parts	1	
1219948	SLIDER,EDGE GUIDE	958	Mechanism Parts	1	
1306270	GUIDE,LOWER;C593	960	Mechanism Parts	2	
1266425	EXTENSION SPRING,1.11	961	Mechanism Parts	2	
1230550	COMPRESSION SPRING,0.40	962	Mechanism Parts	2	
1219936	ROLLER,SUB,LD,MIDDLE	963	Mechanism Parts	2	
1230552	COMPRESSION SPRING,0.407	964	Mechanism Parts	1	
1235932	ROLLER ASSY.,LD,LEFT	965	Mechanism Parts	1	
1219953	COVER,ROLLER,LD,LEFT	966	Mechanism Parts	1	
1219952	COVER,ROLLER,LD,RIGHT	967	Mechanism Parts	1	
1235931	ROLLER ASSY.,LD,RIGHT	968	Mechanism Parts	1	
1030449	LEVER,PAD,RELEASE,LEFT	970	Mechanism Parts	1	
1030420	ROD SPRING,HOLDER,PAD	971	Mechanism Parts	2	
1030450	LEVER,PAD,RELEASE,RIGHT	973	Mechanism Parts	1	
1036874	EXTENSION SPRING,0.62	974	Mechanism Parts	2	
1301888	COMPRESSION SPRING,1.47	975	Mechanism Parts	2	
1219942	LEVER,PAPER RETURN,LEFT	976	Mechanism Parts	1	
1040646	EXTENSION SPRING,0.294	977	Mechanism Parts	2	
1219940	HOLDER,ROLLER,LD,SUPPORT,LEFT	978	Mechanism Parts	1	
1279035	ROLLER,LD,SUPPORT	979	Mechanism Parts	2	
1219941	LEVER,PAPER RETURN,RIGHT	982	Mechanism Parts	1	
1219938	HOLDER,ROLLER,LD,SUPPORT,RIGHT	983	Mechanism Parts	1	
1219960	BUSHING,LOCK,11.4	985	Mechanism Parts	1	
1219968	GROUND SPRING,ASF	986	Mechanism Parts	1	
1219959	LEVER,HOPPER,RELEASE	987	Mechanism Parts	2	
1219963	LEVER,LOCK,EDGE GUIDE	988	Mechanism Parts	1	
1264205	EXTENSION SPRING,0.33	989	Mechanism Parts	1	
1306267	FRAME,ASF,RIGHT;C593	991	Mechanism Parts	1	
1219962	GEAR,44.74	992	Mechanism Parts	1	
1295048	HOLDER ASSY.,PAD,LEFT;B	993	Mechanism Parts	1	
1295044	HOLDER,EDGE GUIDE,LEFT;B	995	Mechanism Parts	1	
1295047	HOLDER ASSY.,PAD,RIGHT;B	996	Mechanism Parts	1	
1295049	COMPRESSION SPRING,9.80	998	Mechanism Parts	2	
1295043	HOLDER,EDGE GUIDE,RIGHT;B	999	Mechanism Parts	1	
1478896	FIXED CR,SET,ASP	1	Packing Material	1	
1474280	CLEANING CART.UNBOXED;6C,110,AS	NON FIG	Tools	1	
1476228	JETRAS JP-D300S	NON FIG	Tools	1	

Part Code	Part Name	Ref No.	Category	Qty	Remark
-----------	-----------	---------	----------	-----	--------