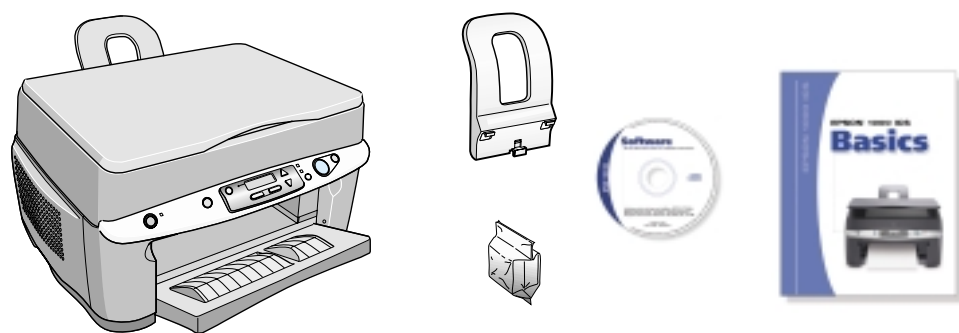


Start Here



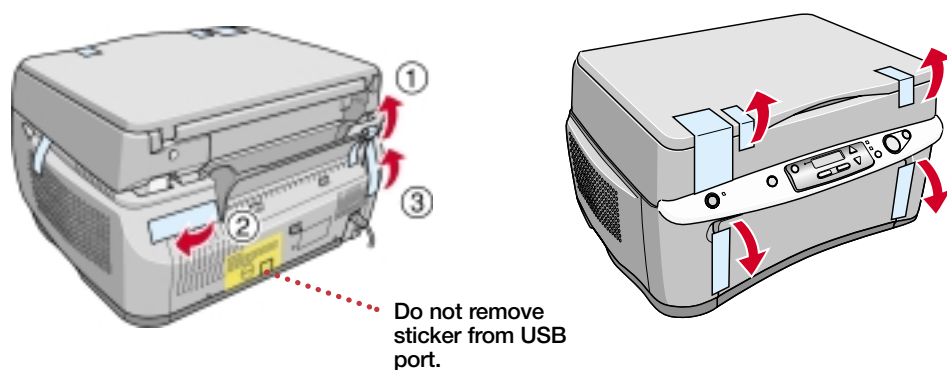
1 Unpack Your EPSON 1000 ICS

1 Make sure you have all the parts shown here. If any parts are missing, contact EPSON as described in your *Basics* book.



You'll also need a USB cable (not included) to connect the EPSON 1000 ICS to your computer.

2 Remove any tape and packing materials, as shown.

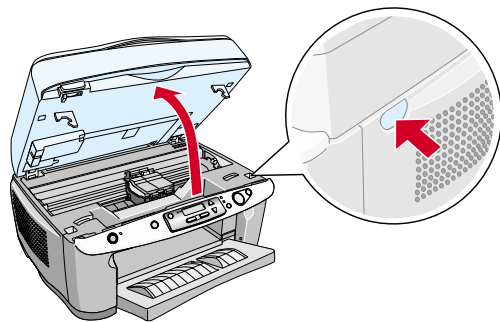


Do not remove sticker from USB port.

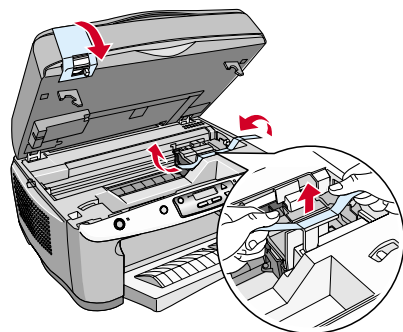
Note: There may be additional packing materials or tape in locations different from the ones shown in these illustrations. Do not remove the sticker covering the USB port.

2 Release the Transportation Lock

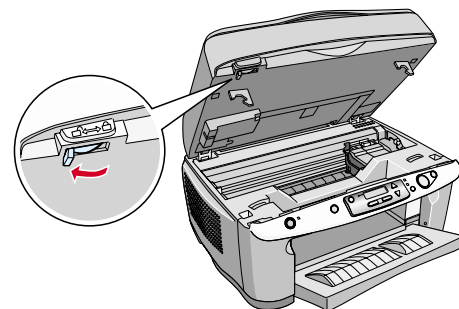
1 Press the release button on the right side, then lift up the scanner, as shown.



2 Peel off the tape and remove the plastic piece from the front of the ink cartridge holders. Remove the packing tape from the transportation lock.

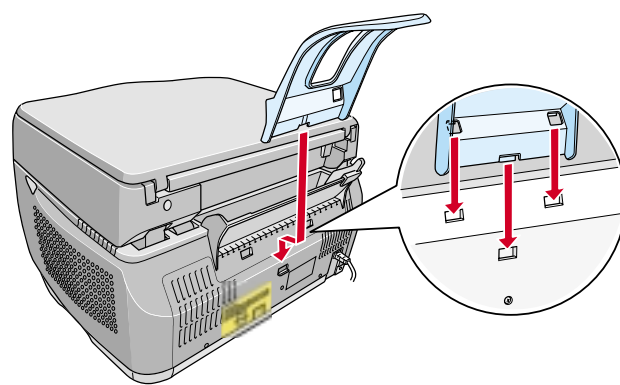


3 Slide the transportation lock to the left.



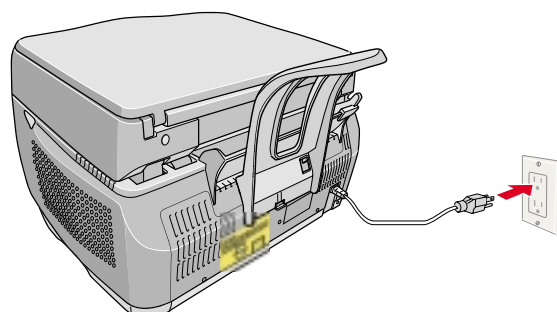
4 Carefully lower the scanner back down into place.

3 Attach the Paper Support



Insert the paper support into its three slots.

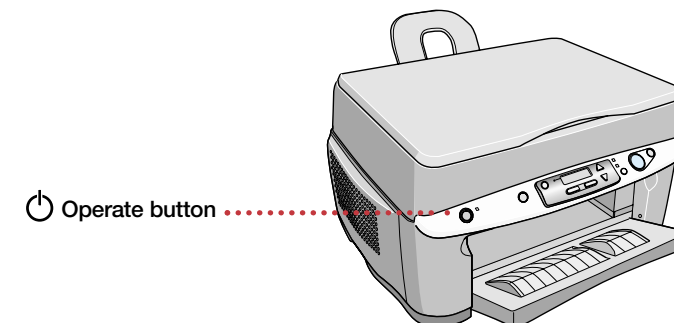
4 Plug In Your EPSON 1000 ICS



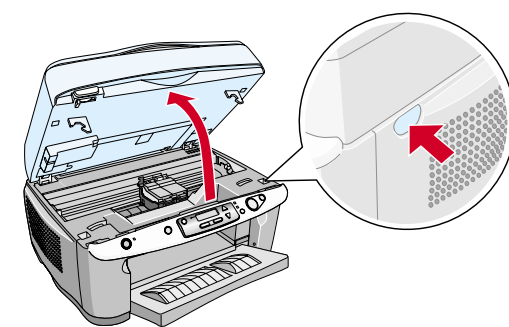
Plug the EPSON 1000 ICS into a grounded electrical outlet. Do not connect the USB cable yet.

5 Install the Ink Cartridges

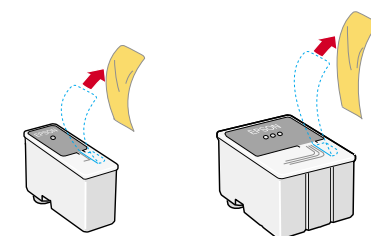
1 Press the Operate button. The Operate light comes on and the scanner carriage and print head move.



2 Press the release button on the right side, then lift up the scanner.

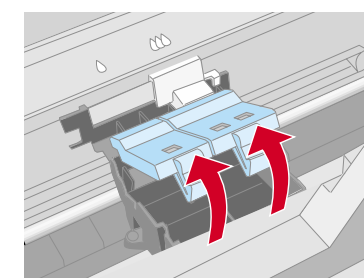


3 Unwrap the ink cartridges and remove the yellow tape.

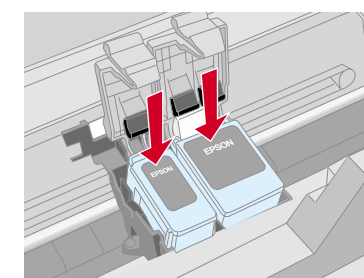


Warning: Keep ink cartridges out of the reach of children. If ink gets on your skin, wash the area thoroughly with soap and water. If ink gets in your eyes, flush them immediately with water.

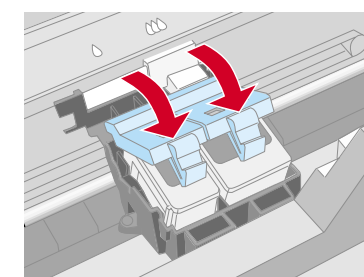
4 Lift up the ink cartridge clamps.



5 Insert the ink cartridges with the labels face-up.

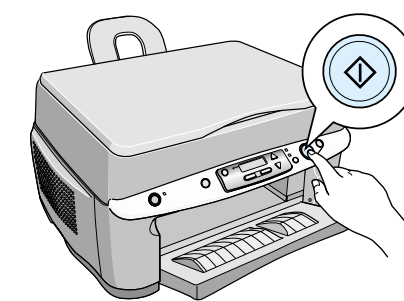


6 Press down the ink cartridge clamps until they snap shut.



7 Carefully lower the scanner back down into place.

8 Press the Copy button to begin charging the ink delivery system.



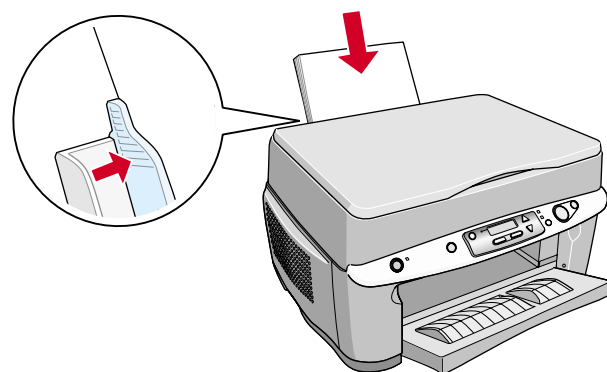
Charging takes about two minutes. The Operate light flashes and the EPSON 1000 ICS makes various sounds. Don't turn it off while the Operate light is flashing or you'll waste ink.

Caution: Don't open the clamps to remove a cartridge except to replace it with a new one. Once you remove a cartridge, you can't reuse it, even if it contains ink. You must install both cartridges and leave them installed for all types of printing. To avoid damaging the EPSON 1000 ICS, never move the print head by hand.

Turn over

6 Load Paper

- 1 Place a stack of paper against the right side of the feeder.

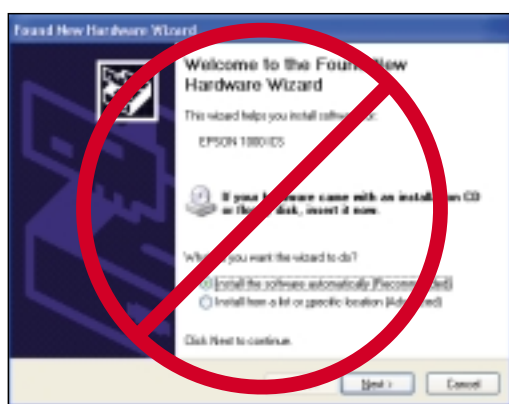


- 2 Slide the left edge guide against the paper.

7 Install the Software

- 1 Make sure the EPSON 1000 ICS is not connected to your computer, then turn on your computer.

Note: If your EPSON 1000 ICS is turned on and connected to your computer, you may see several New Hardware Wizard screens. Click Cancel for each of these screens and disconnect your EPSON 1000 ICS. You can't install your software that way.



- 2 Insert your EPSON 1000 ICS CD-ROM in your CD-ROM or DVD drive.
- 3 The Software Installation screen opens automatically. Click Install.



Note: If the install screen doesn't open automatically, do the following:

for Windows® XP: click Start > My Computer. Then double-click the EPSON CD-ROM icon.

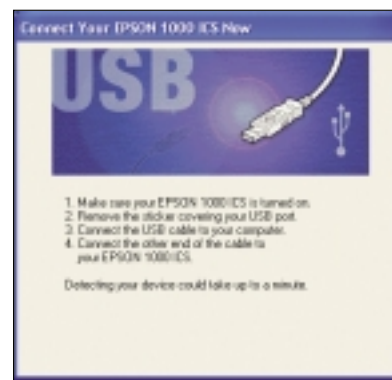
for Windows 98, Windows 2000, or Windows Me: double-click My Computer. Then double-click the EPSON CD-ROM icon.

- 4 When you see the license agreement, read it and click Agree, then follow the instructions on the screen to install EPSON TWAIN and your printer driver.



continue.....

- 5 When you see this screen telling you to connect your EPSON 1000 ICS, make sure it is turned on, then remove the sticker from the USB port on the back. Connect the square end of the USB cable to your EPSON 1000 ICS's USB port, then connect the flat end of the cable to your computer's USB port.

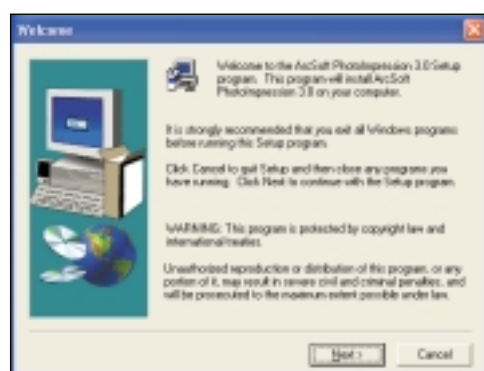


Note: After you plug in your EPSON 1000 ICS, Windows displays several messages as it detects your device.

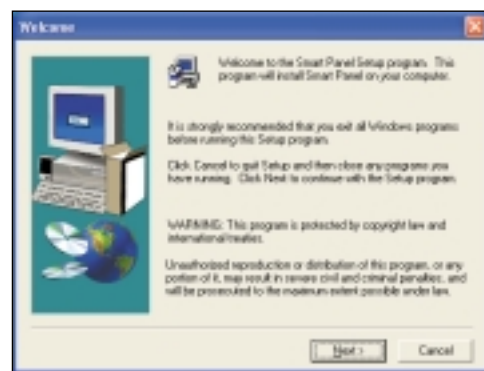
- 6 Continue following the instructions on the screen to install the rest of your software.

Note: It will take several minutes to install the remaining software. Don't cancel the installation.

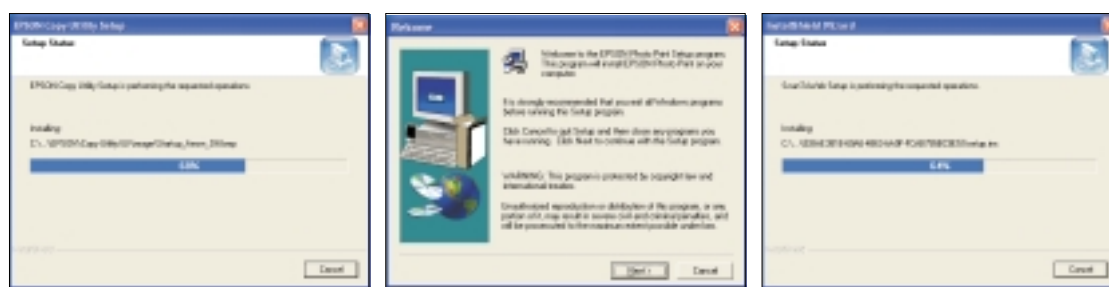
- 7 When you see this screen, follow the steps to install ArcSoft™ PhotoImpression™.



- 8 When you see this screen, follow the steps to begin installing EPSON Smart Panel™.



- 9 The Smart Panel installation also launches separate installations for EPSON Copy Utility, EPSON Photo Print, and ScanToWeb. These are necessary components of EPSON Smart Panel. Follow the steps on screen and do not cancel their installations.



- 10 When you see the final screen, make sure the EPSON 1000 ICS is still on and paper is loaded. Click Print Test Page to test your printer driver.



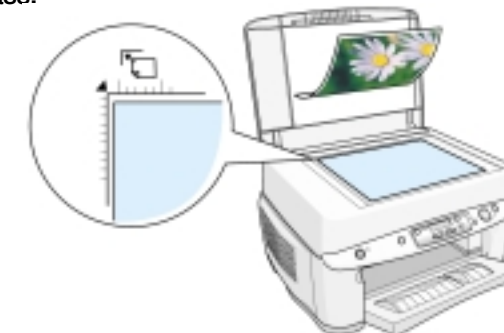
Click to print a test page.

Note: If the test page doesn't print, see the Problem Solving section of your Basics book.

- 11 Click Register and follow the instructions on the screen to register your product. At the last screen, click Done.
- 12 Click Exit, then click Yes and remove the CD-ROM. Restart your computer.

8 Your First Scan

- 1 Raise the document cover and place a photo face-down on the document table glass.

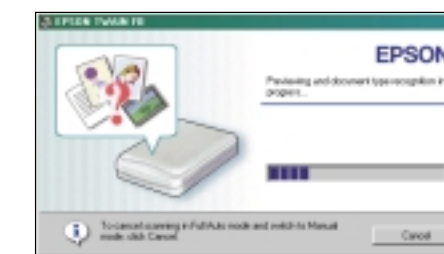


- 2 Position the photo so the horizontal and vertical edges are aligned with the guides on the top and left sides of the document table.
- 3 Double-click the EPSON Smart Panel icon on your desktop.
- 4 You see EPSON Smart Panel. Click the Scan to File button.



Click to start scanning.

Smart Panel starts EPSON TWAIN, which automatically scans your photo.



- 5 After your photo is scanned, the Scan to File dialog box opens. If you want to scan another photo, place it on the document table glass, close the cover, and click Scan More. Otherwise, click Finish.



- 6 Select a folder and file format, then click Save to save your file.



Congratulations! You've finished setting up your EPSON 1000 ICS and scanning your first photo. Now you can see your Basics book to print your photo. Your Basics book also explains copying and scanning and includes other important information.

EPSON is a registered trademark and EPSON Smart Panel is a trademark of SEIKO EPSON CORPORATION. General Notice: Other product names used herein are for identification purposes only and may be trademarks of their respective owners. EPSON disclaims any and all rights in those marks.

Copyright © 2002 by Epson America, Inc. Printed on recycled paper. 4/02

Printed in USA
CPD-13964