

# 38" MODEL 24750x50A & 40" MODEL 24755x50A MULCHER KITS

## HOW TO INSTALL THE MULCHER PLATE

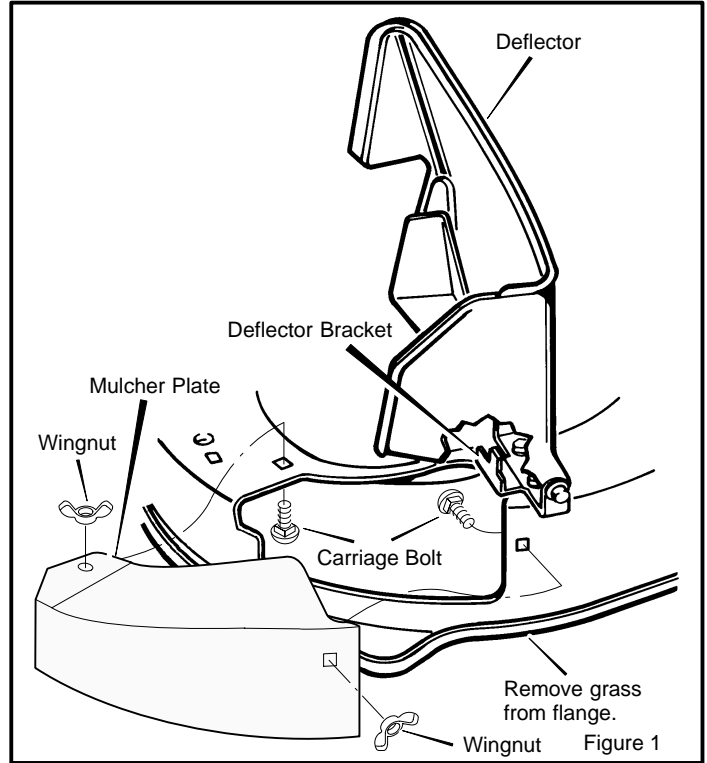
The **mulcher plate** and the **mulcher blades** are *optional attachments* that can be added to the mower housing. The **mulcher plate** lets you mulch the grass for a clean, fine cut. Install the **mulcher plate** and the **mulcher blades** as follows.



**WARNING:** To prevent the engine from starting, disconnect the wire from the spark plug. Make sure the blade rotation control is in the DISENGAGE position.

1. Raise the **deflector**. Slide the front of the **mulcher plate** under the **deflector bracket** (Figure 1). If necessary, remove grass from flange.
2. Fasten the **mulcher plate** with two **wingnuts** and two **carriage bolts**.

To discharge the grass out the side, remove the **mulcher plate**. Attach the fasteners to the **mulcher plate** for future use.



## HOW TO REMOVE AND INSTALL THE BLADES



**WARNING:** Before you remove the blade, disconnect the wire to the spark plug. The blade has sharp edges. When you hold the blade, use gloves or cloth material to protect your hands.

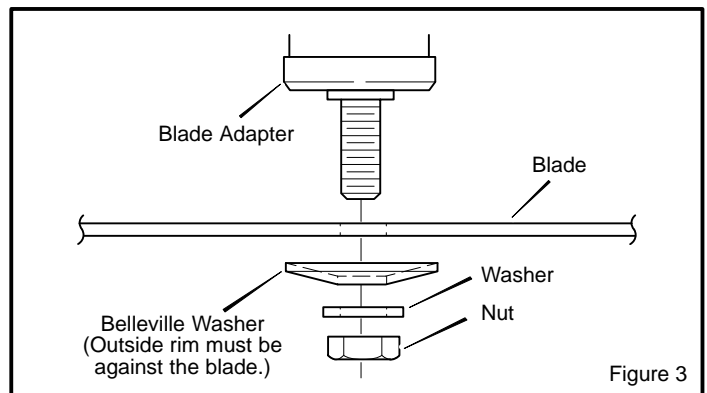
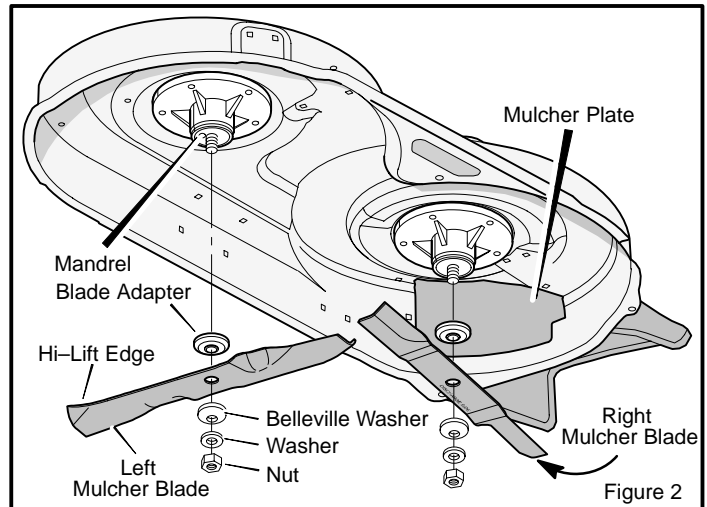
1. Use a piece of wood to keep the **blades** from rotating.
2. Remove the **nuts** that hold the blades (Figure 2).
3. Remove the *standard blades*.
4. Two **mulcher blades** are in the mulcher kit. Mount the **mulcher blades** and the **blade adapters** on the **mandrels** (Figure 2).
5. Mount each **blade** so that the **hi-lift edges** are up (toward the mower housing). If the **blade** is upside down, the **blade** will not cut correctly and can cause an accident.
6. Fasten the **blades** with the original washers and **nuts**. Make sure the outside rim of the **Belleville washers** are against the **blades** (Figure 3).

**NOTE:** Check the rotation of the blades. Make sure the blades do not hit the mower housing. If a blade hits, the mower housing is bent. Hit the mower housing with a hammer until the blade does not touch.



**WARNING:** Always keep the nut tight that holds the blade. A loose nut or blade can cause an accident.

7. Tighten the **nuts** that hold the **blades** to a torque of 30 foot pounds (41,5N-m).



# 38" MODEL 24750x50A & 40" MODEL 24755x50A MULCHER KITS

## MULCHING TIPS

When you use a mulcher attachment, the grass is cut into very small pieces. These small pieces will quickly break down. Because the nutrients are returned to the soil, the lawn will need less fertilizer. To correctly mulch the grass, follow the steps below.

1. Set the throttle in the FAST position. Operate the mower at a slower ground speed. If ground speed is too fast, the grass will not have an even cut.
2. Keep a sharp edge on the blade. A blade that is not sharp will cause the ends of the grass to become brown.
3. Make sure the grass is dry. Wet grass is difficult to cut.
4. Set the height of the mower housing so that only the top third of the grass is cut. If the grass is too high, set the height of the mower housing to the maximum height. Then, lower the mower housing for the second cut. Also, instead of using the full width of the mower housing, mulch at half the width.
5. Clean the bottom of the mower housing. Grass and other debris can keep the mower from working correctly.
6. If the grass grows fast, mulch more often.
7. If an area needs improvement, mulch a second time.

## REPLACEMENT PART NUMBERS FOR MULCHER KIT

Key No.	Description	38 Inch Model 24750x50A Part Number	40 Inch Model 24755x50A Part Number
1	Mulcher Plate	095080E700	095080E700
2	Wingnut	014x86	014x86
3	Carriage Bolt	002x64	002x64
4	Blade, 3n1	1001427E701	1001428E701
—	Instruction Sheet, Mulcher	F-020904L	F-020904L

