

**ACRYLUX™ 32" x 32" SHOWER BASE**

❑ **3232Y1.ST SHOWER BASE**

**Product Features:**

- High-gloss acrylic-capped ABS with fiberglass reinforcement
- Single threshold
- Integral three-sided, tiling/water retention flange
- Textured bottom

**Nominal Dimensions:**

31-7/8" x 31-5/8" x 5-1/8"  
(810 x 803 x 130mm)

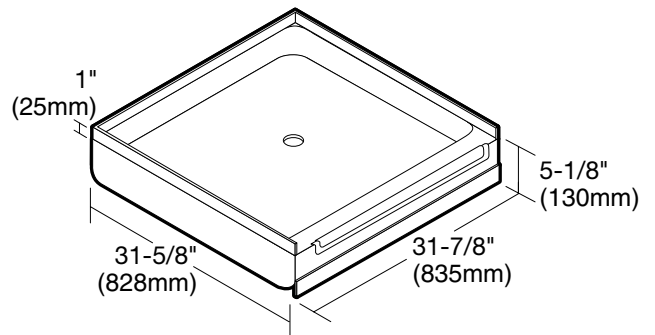
**For use with:**

- 3232Y1.SW Shower Wall Set
- Base can also be installed without Acrylux wall set

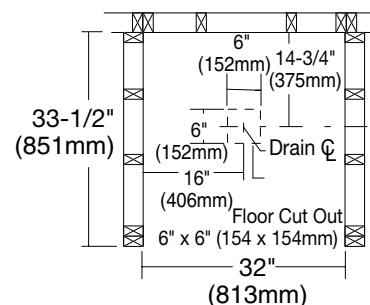
**Compliance Certifications -**

**Meets or Exceeds the Following Specifications:**

- ANSI Z124.2 for Plastic Showers
- ASTM E162 for Flammability
- NFPA 258 for Smoke Density



**STUD LAYOUT**



⊗ = Stud Location