

# ROBERTS

Sound for Generations

## R9968

Analogue World Radio



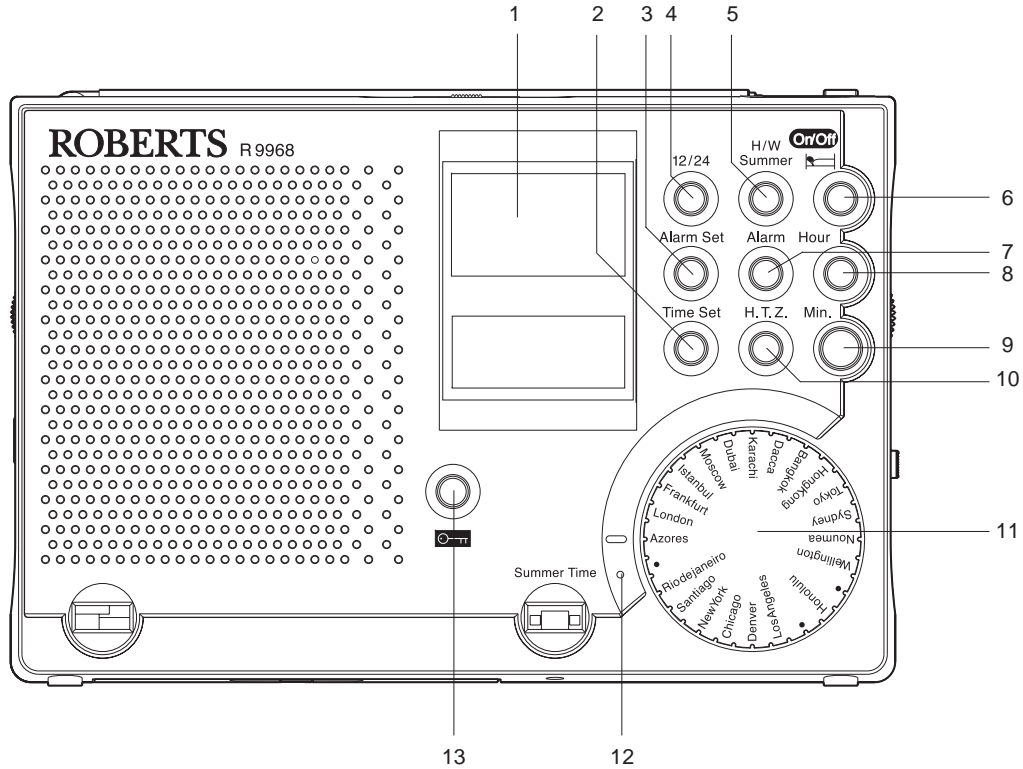
*travelling lite2*

Please read this manual before use

## Contents

<i>Contents</i> .....	2	<i>Setting the alarm to buzzer</i> .....	13
<i>Controls</i> .....	3-6	<i>Setting the alarm to radio</i> .....	14
<i>Batteries</i> .....	7	<i>Checking the alarm time</i> .....	15
<i>Disabling the buttons</i> .....	8	<i>Snooze control</i> .....	15
<i>Switching on and setting the time zone</i> .....	8	<i>Sleep timer</i> .....	16
<i>Setting the local time</i> .....	9	<i>Backlight</i> .....	16
<i>Setting Summer Time</i> .....	9	<i>Reset</i> .....	17
<i>Switching between local time and GMT</i> .....	10	<i>Headphones</i> .....	17
<i>Shortwave radio reception</i> .....	10	<i>Stereo/Mono reception</i> .....	17
<i>Listening to the radio</i> .....	11	<i>Specifications</i> .....	18
<i>Setting the alarm time</i> .....	12	<i>Guarantee</i> .....	19

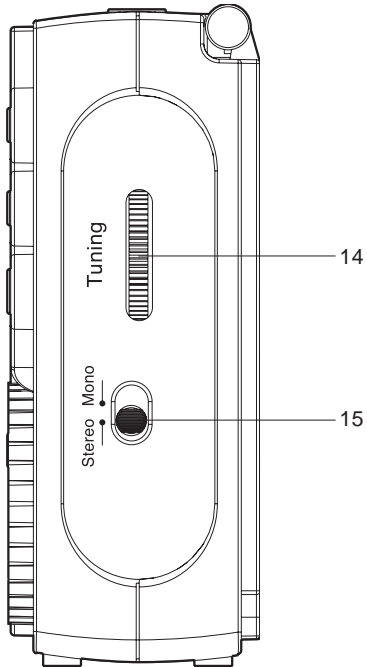
**OVERVIEW**  
**Controls - Front**



- |               |                 |                    |
|---------------|-----------------|--------------------|
| 1. Display    | 6. On/Off Sleep | 11. Time Zone Dial |
| 2. Time Set   | 7. Alarm        | 12. Summer Time    |
| 3. Alarm Set  | 8. Hour Set     | 13. Lock           |
| 4. 12/24 Hour | 9. Minute Set   |                    |
| 5. H/W Summer | 10. H.T.Z.      |                    |

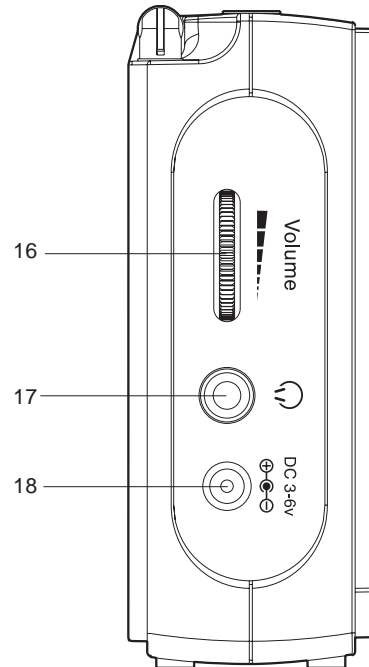
*If you need any further advice, please call our Technical Helpline on :-  
 020 8758 0338 (Mon-Fri)*

**Controls**  
**Right side**



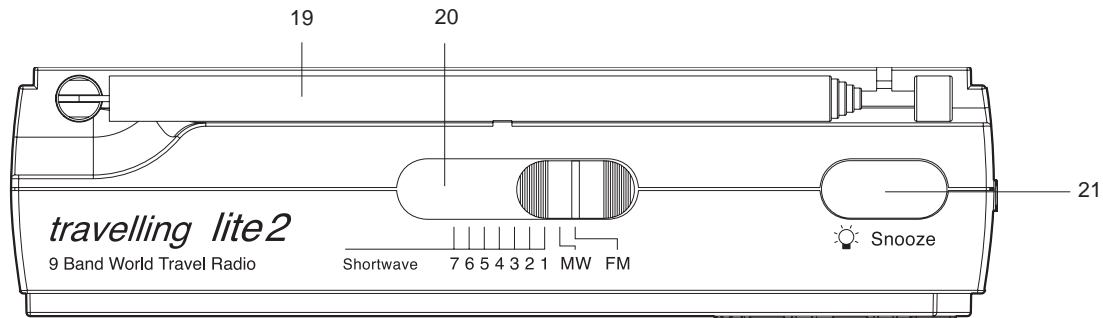
- 14. Tuning dial
- 15. Mono/Stereo switch

**Left side**



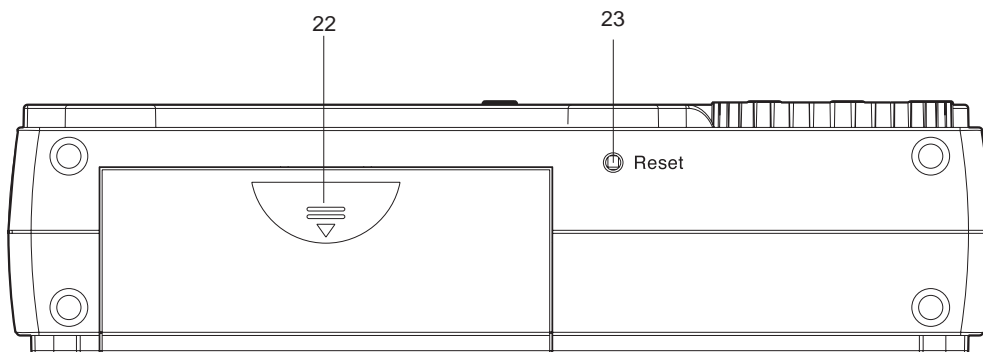
- 16. Volume control
- 17. Headphones socket
- 18. DC 3-6V Power Input socket

**Controls  
Top**



- 19. Telescopic aerial
- 20. Band selection switch
- 21. Snooze & light button

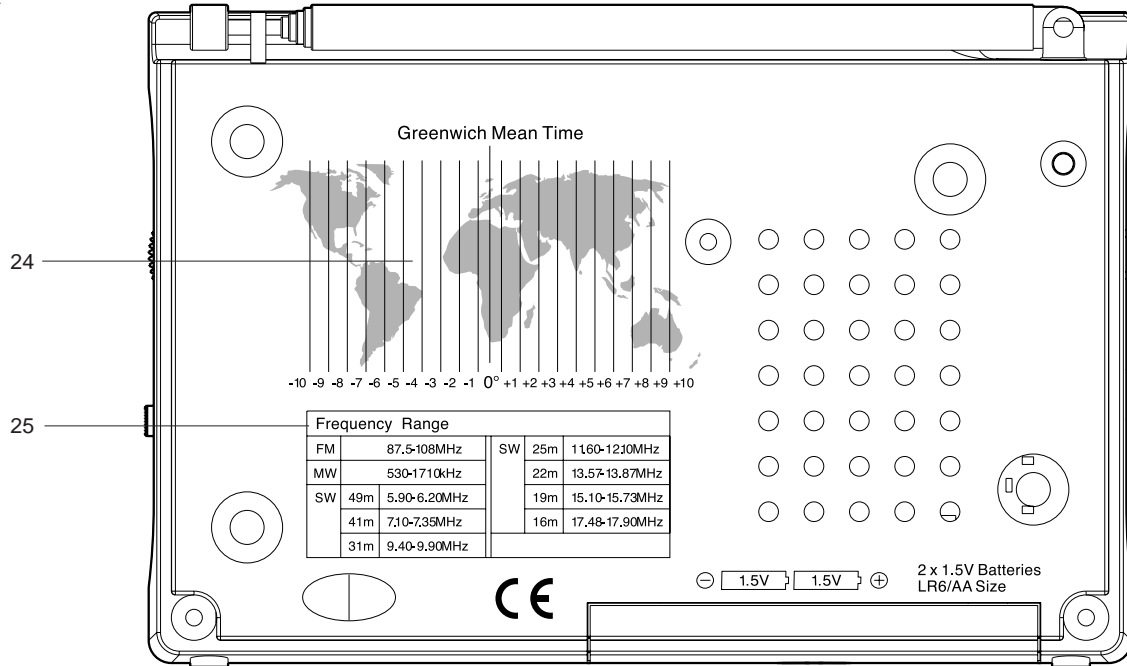
**Bottom**



- 22. Battery compartment
- 23. Reset button


*If you need any further advice, please call our Technical Helpline on :-  
020 8758 0338 (Mon-Fri)*

Controls  
Back




- 24. Map of World Time Zones
- 25. Frequency Scale

## Batteries

1. Batteries should be replaced when the Battery Level icon  shows low.
2. Press the **On/Off Sleep button** to switch the radio off before replacing the batteries.
3. Open the battery cover located on the underside of your receiver by pressing down and lifting the battery cover.
4. Insert 2 x AA batteries into the compartment. Make sure that the (+) and (-) ends of the batteries are positioned as shown on the rear of the receiver.

**Note:** 2 beep sounds will be heard to signify correct battery insertion.

5. Close the battery cover.
6. Press the **On/Off Sleep button** to switch the receiver on after the batteries have been replaced.
7. If the receiver is not to be used for an extended period of time it is recommended that the batteries are removed from the receiver.
8. When the power is too low for the receiver to operate the Battery Level icon  will flash and the unit will shut down automatically.

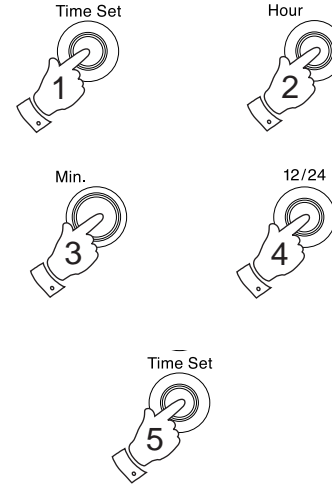






## Setting the local time

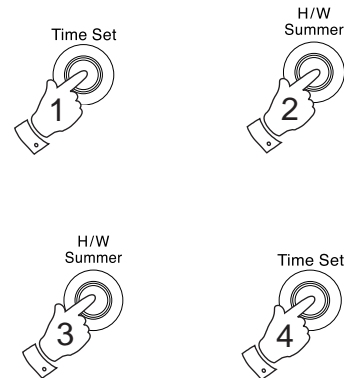
1. After setting the time zone the bottom screen will flash the default time setting, **12:00** and the Home icon [HOME]. If you want to change the local time later, press and hold the **Time Set button** until the time flashes in the bottom display.
2. Press the **Hour button** to change the hour.
3. Press the **Min. button** to change the minutes.
4. Press the **12/24 button** to switch between 12 and 24 hour clock formats. When the clock is set to 12 hour display an **AM** or **PM indicator** will be displayed. Make sure that the correct 12 hour cycle is selected.
5. Press the **Time Set button** to confirm the correct time.
6. The bottom display will stop flashing.



---

## Setting summer time

1. Press and hold the **Time Set button** until the time flashes in the bottom display.
2. Press the **H/W Summer button** to put the clock forward by one hour. The Summer time icon ☀ will appear in the display.
3. Press the **H/W Summer button** again to remove the Summer Time icon ☀ and return the time to its original setting.
4. Press the **Time Set button** to confirm the change.
5. The bottom display will stop flashing.



If you need any further advice, please call our Technical Helpline on :-  
020 8758 0338 (Mon-Fri)

## Switching between local time and GMT

1. Press the **H/W Summer button** to switch between local time and GMT.
2. The displays will swap over the time settings.
3. Press the **H/W Summer button** again to return the displays.



---

## Short wave radio reception

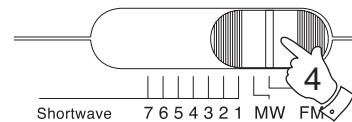
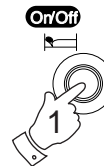
Your World Receiver can receive signals in a number of wavebands. FM and MW stations are always set at the same position on the tuning scale because they are broadcast at fixed wavelengths and frequencies.

Due to atmospheric conditions, short wave stations must frequently be broadcast on different wavelengths. Most short wave bands are available all over the world and can be used by international broadcasters. At present these are the only wavelengths which provide listeners with direct reception over long distances. For this reason, short wave frequencies are not only used by radio stations, but also by other users such as amateur radio enthusiasts, shipping, aircraft and radio navigation systems.

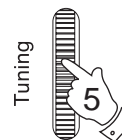
If you want to listen to a particular SW station, you need to know the precise frequency and wavelength. Many short wave stations will send you broadcasting schedules which give you the information you need. You can also download the information from the Internet.

## Listening to the radio

1. Switch on your receiver by pressing the **ON/OFF Sleep button**.
2. The receiver will automatically tune in to the last radio station selected.
3. The radio frequency and waveband information will show in the top display.
4. Slide the **Waveband switch** to the required waveband. The selected band is indicated in the top display.
5. Tune in to the desired station by rotating the **Tuning control**. The station frequency is shown in the top display.



6. When the radio is tuned in correctly to a station, the Tuning icon **TUNE** will appear in the top display.



The **Telescopic antenna** located on the top of your receiver is for FM and short wave (SW) reception.

Extend and tilt the **Telescopic antenna** to obtain the best reception for FM stations.

For short wave (SW) reception, adjust the **Telescopic antenna** to an upright position.


For MW reception there is a built in ferrite aerial. Rotate the receiver to the position giving the best reception.

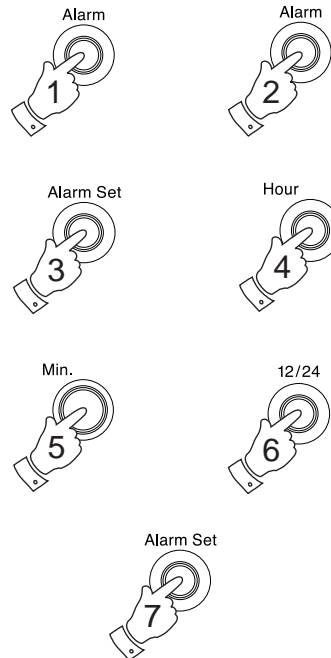


7. Adjust the volume by rotating the **Volume control**.



## Setting the alarm time

The alarm is always set in local time, with the Home icon **HOME** displayed.

1. Press the **Alarm button**. The Alarm icon **ALARM** will flash in the display for a few seconds before returning to the clock display.
2. While the Alarm icon **ALARM** is flashing, press the **Alarm button** again to select the buzzer alarm mode. The Buzzer icon  will appear and flash in the display.
3. Press and hold the **Alarm Set button** until the alarm time flashes in the display.
4. Press the **Hour button** to change the hour.
5. Press the **Min. button** to change the minutes.
6. Press the **Alarm Set button** to confirm the correct time.
7. The bottom display will stop flashing and the Alarm icon **ALARM** will remain on the display.
8. Press the **12/24 button** to switch between 12 and 24 hour clock formats. When the clock is set to 12 hour display an **AM** or **PM indicator** will display. Make sure that the correct 12 hour cycle is selected.





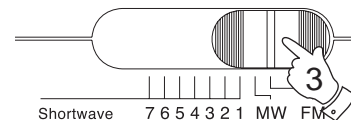
## Setting the alarm to buzzer

1. Set the alarm time as previously described.
2. Press the **Alarm button**. The Alarm icon <sup>ALARM</sup> will flash in the display for a few seconds before returning to the clock display.
3. While the Alarm icon <sup>ALARM</sup> is flashing, press the **Alarm button** again to select the buzzer alarm mode. The Buzzer icon  will appear and flash in the display.
4. Press the **Alarm Set button** to confirm the alarm.
5. The bottom display will stop flashing, the Alarm icon <sup>ALARM</sup> and the Buzzer icon  will remain on the display.
6. The buzzer alarm will sound at the preset time. It will increase in volume, tone and frequency, over the period of one minute, and then fall silent for one minute. This cycle will be repeated for 60 minutes.
7. To switch off the alarm until the next day, press the **On/Off Sleep button**.
8. To switch the alarm off permanently, press the **Alarm button**. The Alarm icon <sup>ALARM</sup> will flash in the display for a few seconds before reverting to the clock display.



## Setting the alarm to radio

1. Set the alarm time as previously described.
2. Press the **On/Off Sleep button** to turn the radio on.
3. Select the required waveband using the **Waveband switch** and make sure that a station is tuned in.
4. Set the **Volume control** to the desired level.
5. Press the **Alarm button**. The Alarm icon ALARM will flash in the display for a few seconds before returning to the clock display.
6. While the Alarm icon ALARM is flashing, press the **Alarm button** twice to select the radio alarm mode. The Radio icon  will appear and flash in the display.
7. Press the **Alarm Set button** to confirm the alarm.
8. The bottom display will stop flashing, the Alarm icon ALARM and the Radio icon  will remain on the display.
9. Press the **On/Off Sleep button** to turn the radio off.
10. The radio alarm will sound at the preset time for 60 minutes.
11. To switch off the alarm until the next day press the **On/Off Sleep button**.
12. To switch the alarm off permanently, press the **Alarm button**. The Alarm icon ALARM will flash in the display for a few seconds before reverting to the clock display.



## Checking the alarm time

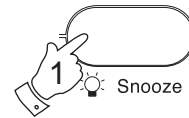
1. Press the **Alarm Set button**.
2. The alarm time will appear in the bottom display for a few seconds, before reverting to the clock display.




---

## Snooze control

1. The buzzer or radio alarm can be silenced for five minutes by pressing the **Snooze Light button**. This sequence can be repeated during the 60 minute alarm period.



## Sleep timer

1. Radio playback can be set to switch off automatically after a preset time has elapsed.
2. Press the **On/Off Sleep button** to switch the radio on.
3. To set the Sleep Timer press and hold the **On/Off Sleep button**. After a few seconds the first sleep time and the Sleep icon  will appear on the top display. The display will then show the available sleep times in sequence, 60, 45, 30, 15, and 90 minutes, this will continue while the **On/Off Sleep button** is held. To select your preferred sleep time, release the **On/Off Sleep button** when the time is displayed. The display will revert to clock display after a few seconds with the sleep icon shown.
4. The radio will switch off after the selected sleep time has elapsed.
5. To cancel the sleep function before the preset time has expired, press the **On/Off Sleep button**.

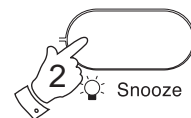
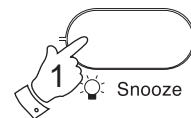


---

## Backlight

The Backlight illuminates the display screens, making it easy to view in a dark environment.

1. Press the **Snooze Light button** to switch on the Backlight for 12 seconds.
2. Press the **Snooze Light button** to switch the Backlight off.





## Reset

The Reset function will erase all settings and return the receiver to its original state.

1. Press the **Reset button** on the underside of the receiver using an implement such as a paperclip.



---

## Headphones

A 3.5 mm **Headphone Socket** located on the left side of the unit is provided for use with either headphones or an earpiece. Inserting a plug into the socket automatically mutes the internal loudspeaker.



---

## Stereo/Mono reception (headphone use only)

If the FM station reception is weak it can be improved by switching to mono reception. This only works when listening to the receiver with headphones.

1. Slide the **Stereo/Mono switch** to the mono position. The Stereo Headphone icon disappears from the display.
2. Slide the **Stereo/Mono switch** back to the stereo position to return to stereo listening. The Stereo Headphone icon will show in the display.



## Specifications

### Power Requirements

Adapter Output DC 3-6 volts, 200mA

Battery 2 x LR6 (AA Size) alkaline

### Frequency Coverage

FM 87.5 - 108MHz

MW 526 - 1710kHz

SW 1 - 7  
5.90 - 6.20MHz (49 m)  
7.10 - 7.35MHz (41 m)  
9.40 - 9.90MHz (31 m)  
11.6 - 12.10MHz (25 m)  
13.57 - 13.87MHz (21 m)  
15.1 - 15.73MHz (19 m)  
17.48 - 17.9MHz (16 m)

### Circuit Features

Loudspeaker 4 ohms

Output power 100 mW

### Antennas

Telescopic antenna FM and SW

Ferrite rod antenna MW

### Sockets

Headphones Socket 3.5mm dia.

DC Socket 4.0mm dia. Centre pin negative

## Guarantee

This receiver is guaranteed for twelve months from the date of delivery to the original owner against failure due to faulty workmanship or component breakdown, subject to the procedure stated below. Should any component or part fail during this guarantee period it will be repaired or replaced free of charge.

The guarantee does not cover:

1. Damage resulting from incorrect use.
2. Consequential damage.
3. Receivers with removed or defaced serial numbers.
4. Telescopic aerials.

Procedure:

Any claim under this guarantee should be made through the dealer from whom the instrument was purchased. It is likely that your Roberts' dealer will be able to attend to any defect quickly and efficiently but should it be necessary the dealer will return the instrument to the Company's service department for attention. In the event that it is not possible to return the instrument to the Roberts' dealer from whom it was purchased, please contact Roberts Radio Technical Services department at the address shown on the rear of this manual before taking further action.

*These statements do not affect the statutory rights of a consumer.*



Issue 2

## **ROBERTS RADIO TECHNICAL SERVICES**

97-99 Worton Road  
Isleworth Middlesex  
TW7 6EG

Technical Helpline:- 020 8758 0338 *(Mon-Fri)*

Website: *<http://www.robertsradio.co.uk>*

