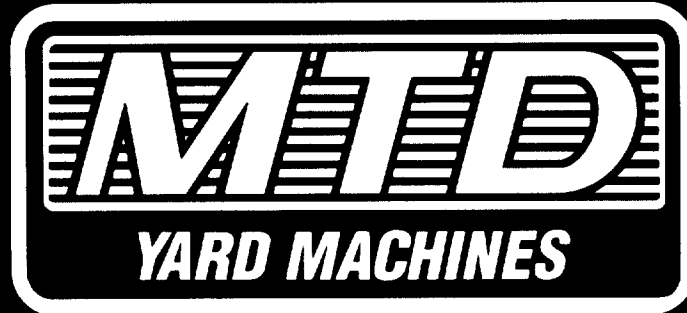


ILLUSTRATED PARTS

AMERICAN  AMERICAN
M A D E O W N E D
OUTDOOR POWER EQUIPMENT

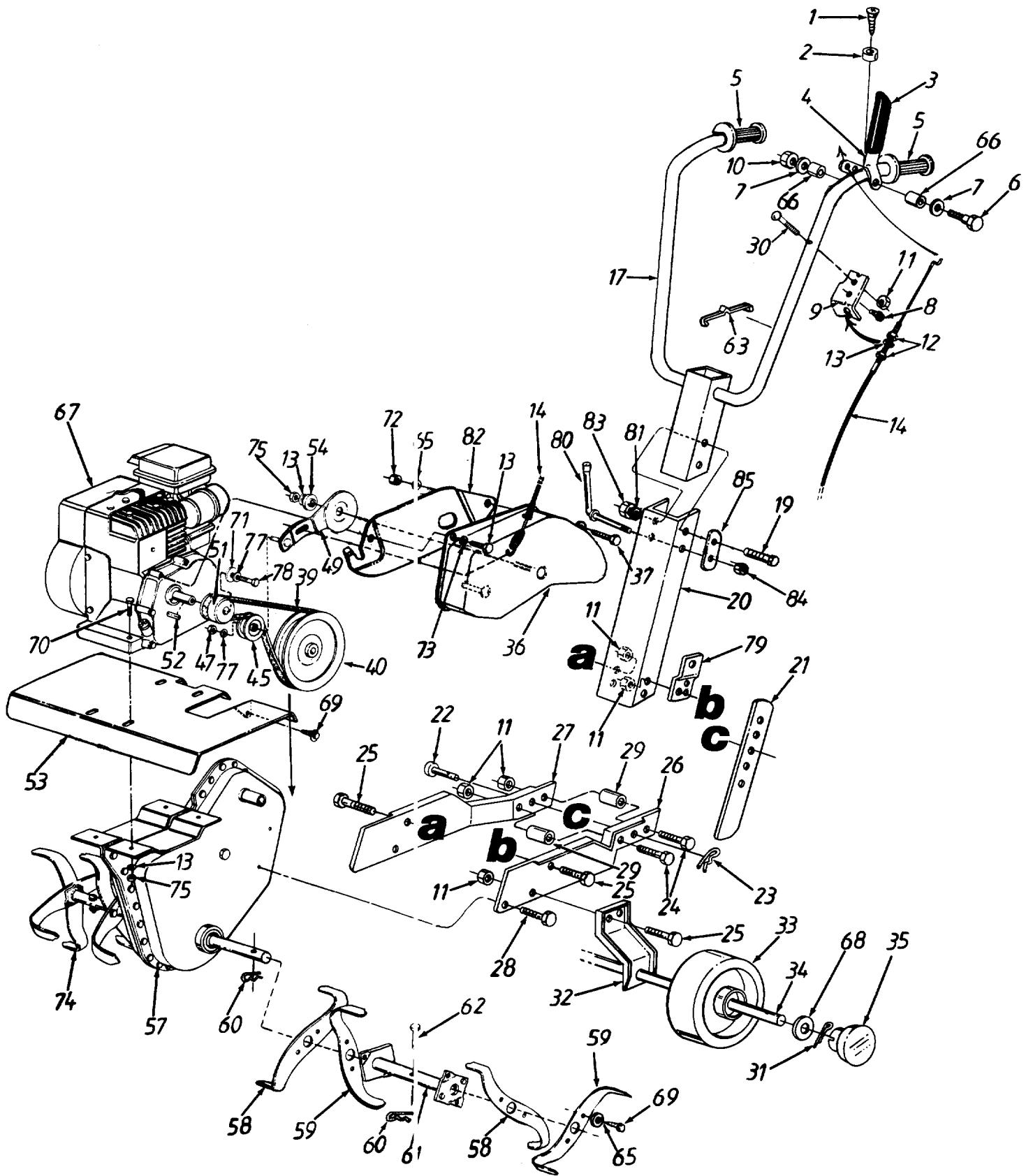


1996

FRONT TINE TILLERS

Model Number	Pages
216-035-000.....	2 - 4
216-340-000.....	6 - 9
216-390-000.....	10 - 13

Model 035



Model 035

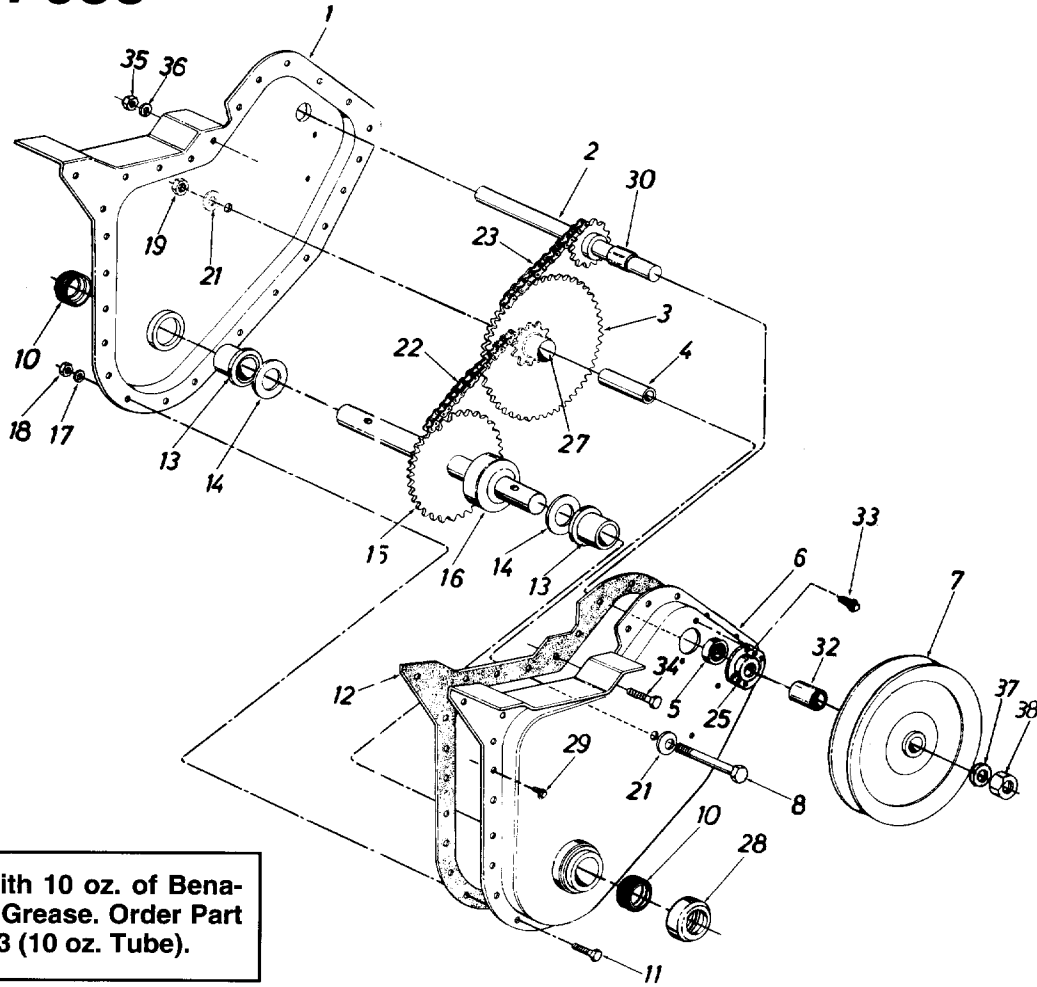
PARTS LIST FOR MODEL 035 TILLER

REF. NO.	PART NO.	CODE	DESCRIPTION	REF. NO.	PART NO.	CODE	DESCRIPTION
1	710-1167		Tap Scr. #10-16 x 1/2" Lg.	40	756-0996	N	Pulley—Chain Case
2	720-0263		Rubber Bumper	45	756-0199		Flat Idler Pulley
3	731-0473		Vinyl Grip	47	712-0116		Hex Jam L-Nut 3/8-24 Thd.
4	686-0002		Clutch Lever Ass'y.	49	784-0016		Idler Arm Ass'y.
5	720-0233		Handle Grip	51	756-0286		Engine Pulley
6	710-0501		Hex Bolt 1/4-20 x 2" Lg.*	52	714-0122		Square Key 3/16" x .75" Lg.
7	736-3090		FI-Wash. 1/4" I.D.	53	786-0148	N	Tine Shield
8	710-1201		Hex Tap Scr. 1/4-20 x 1/2" Lg.	54	736-0289		Washer—Bushing
9	15093C		Cable Bracket	57	686-0093	N	Chain Case Ass'y. Comp.
10	712-0324		Lock Nut 1/4-20 Thd.	58	04922		R.H. Tine Blade
11	712-0429		Lock Nut 5/16-18 Thd.	59	04923		L.H. Tine Blade
12	712-0256		Hex Jam Nut 5/16-24 Thd.	60	714-0149B		Hairpin Cotter
13	736-0119		L-Wash. 5/16" I.D.*	61	04918		Adapter Ass'y.—Tine
14	746-0926	N	Clutch Control Cable	62	711-0702		Clevis Pin
17	649-0018	N	Handle Ass'y.	63	726-0306		Cable Tie—Plastic
19	710-0572		Carr. Bolt 5/16-18 x 2-1/2" Lg.	65	736-0329		L-Wash. 1/4" I.D.*
20	786-0146		Handle Channel—Frame	66	750-0846		Spacer
21	04764		Depth Stake	67	—		Engine
22	711-0653		Clevis Pin	68	736-0185		FI-Wash. 3/8" I.D.
23	714-0145		Hairpin Cotter	69	710-0599		Tap Scr. 1/4-20 x 1/2" Lg.
24	710-0376		Hex Bolt 5/16-18 x 1" Lg.*	70	710-0442		Hex Bolt 5/16-18 x 1-1/2" Lg.*
25	710-0759		Hex Bolt 5/16-18 x 5/8" Lg.*	71	736-0258		FI-Wash. 3/8" I.D. x 1" O.D.
26	786-0011		L.H. Frame Half	72	712-0287		Hex Nut 1/4-20 Thd.*
27	786-0010		R.H. Frame Half	73	710-0107		Hex Bolt 5/16-24 x .5" Lg.
28	710-0607		Hex Tap. Scr. 5/16-18 x 1/2" Lg.	74	04921		Tine Blade Ass'y. Comp.
29	750-0845		Spacer	75	712-0267		Hex Nut 5/16-18 Thd.*
30	710-1090		Hex Bolt 5/16-18 x 1-1/4" Lg.	77	736-0169		L-Wash. 3/8" I.D.*
31	714-3017		Cotter Pin	78	710-0152		Hex Bolt 3/8-24 x 1" Lg.
32	786-0012		Wheel Bracket	79	786-0046		Belt Cover Bracket
33	634-0013		Wheel—6"	80	784-0190		Handle Adj. Crank
34	738-0855		Axle—Wheel	81	736-0300		FI-Wash. .385" I.D. x .87" O.D.
35	720-0258		Hub Cap	82	786-0153	N	Belt Cover—Rear
36	786-0151	N	Belt Cover	83	712-3000		Hex L-Nut 3/8-16 Thd.
37	710-0258		Hex Bolt 1/4-20 x 5/8" Lg.*	84	712-0379		Hex Flange L-Nut 3/8-24 Thd.
39	754-0216		V-Belt	85	784-0191		Retainer Bracket

*For faster service obtain standard nuts, bolts and washers locally. If these items cannot be obtained locally, order by part number and size as shown on parts list.

NOTE: Specifications subject to change without notice or obligation.

Model 035



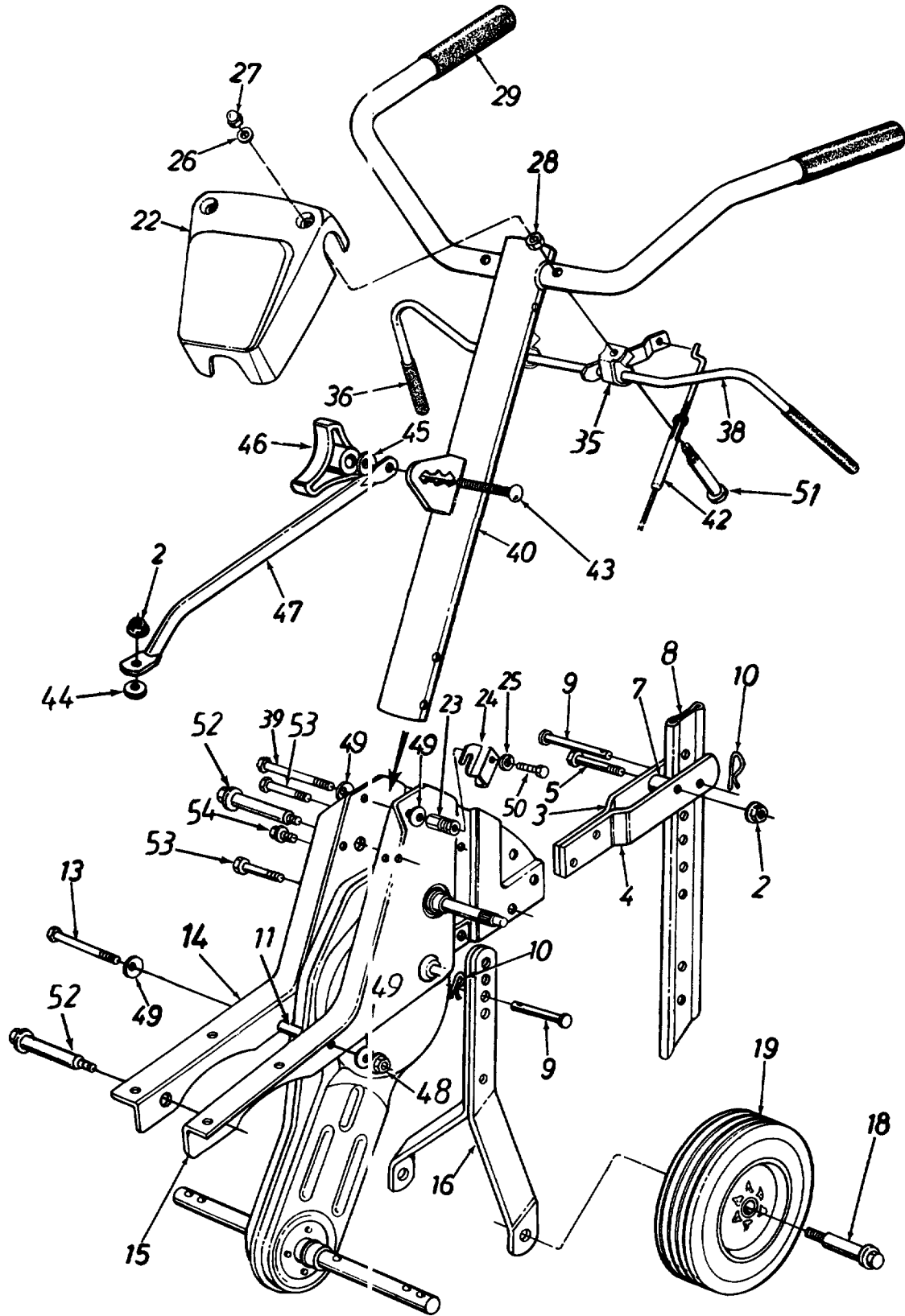
Lubricate with 10 oz. of Bena-lene #372-0 Grease. Order Part No. 737-0223 (10 oz. Tube).

PARTS LIST FOR MODEL 035 TILLER

REF. NO.	PART NO.	CODE	DESCRIPTION	REF. NO.	PART NO.	CODE	DESCRIPTION
1	686-0085	N	Chain Case Ass'y.—R.H.	23	713-0216		Chain #35 .375" Pitch 50 Links
2	611-0057	N	Input Shaft Ass'y.		713-0139		#35 Master Link
3	04757		Hub and Sprocket Ass'y.	25	05034A		Bearing Housing
4	750-0351		Bearing Inner Race	27	741-0228		Bearing
5	741-0155		Ball Bearing	28	731-0486		Dust Cap††
6	686-0087	N	Chain Case Ass'y.—L.H.	29	710-0599		Hex Wash. Hd. Self-Tap Scr. 1/4-20 x .50" Lg.
7	756-0996	N	Pulley—Chain Case††	30	750-0471		Spacer .63" I.D. x .77" O.D. x .38" Lg.
8	710-0369		Hex Bolt 3/8-24 x 2.5"	32	750-0999	N	Spacer .647 x .77"††
10	721-0157		Seal††	33	710-0653		Hex Wash. Hd. Self-Tap Scr. 1/4-20 x .38" Lg.
11	710-0195		Hex Bolt 1/4-28 x .625"	34	710-0118		Hex Bolt 5/16-18 x .75" Lg.*
12	721-0156A		Gasket	35	712-0267		Hex Nut 5/16-18 Thd.*
13	741-0227		Flange Brg. .879" I.D.	36	736-0119		L-Wash. 5/16" I.D.*
14	736-0265		Fl-Wash. .88" I.D. x 1.5"	37	736-0105		Bell-Wash. .38" I.D. x .88" O.D.
15	04920		Tine Shaft Ass'y.	38	712-0379		Hex Flange L-Nut 3/8-24 Thd.
16	750-0354A		Spacer 7/8" I.D.	—	686-0093	N	Chain Case Ass'y. Comp.
17	736-0329		L-Wash. 1/4" I.D.*				
18	712-0138		Hex Nut 1/4-28 Thd.*				
19	712-0116		Hex Ins. L-Nut 3/8-24 Thd.				
21	736-0219		Bell-Wash. .406" I.D.				
22	713-0215		Chain #420 1/2" Pitch 38 Links				
	713-0154		#420 Master Link				

††Not part of chain case assembly.

Model 340



Model 340

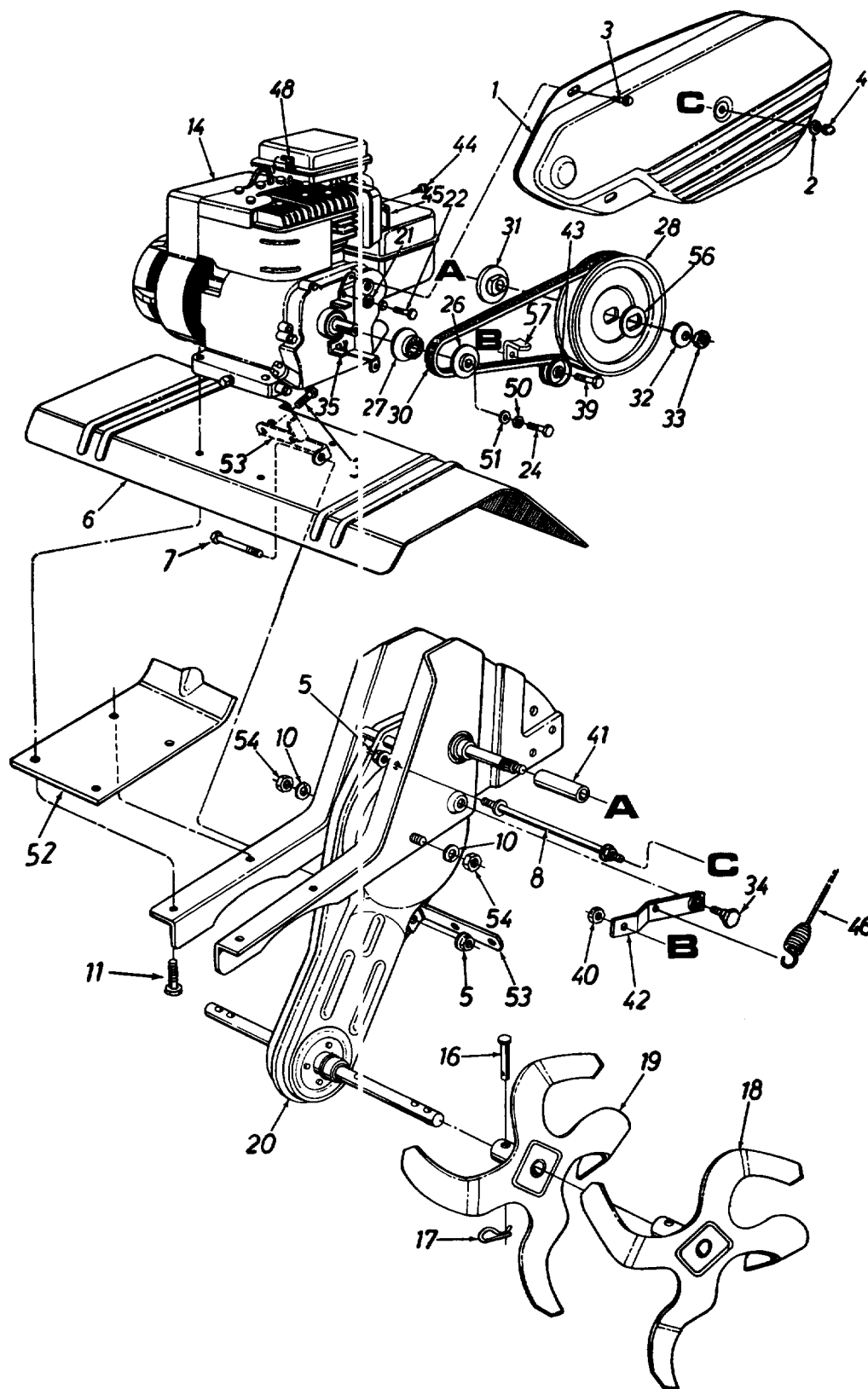
PARTS LIST FOR MODEL 340 TILLER

REF. NO.	PART NO.	CODE	DESCRIPTION	REF. NO.	PART NO.	CODE	DESCRIPTION
1	710-0874		Hex Bolt 5/16-18 x 1.25" Lg.	28	712-0287		Hex Nut 1/4-20 Thd.
2	712-3004A		Hex Flange L-Nut 5/16-18 Thd. (Gr. 5)	29	720-0268		Grip—Handle
3	786-0004		Tail Piece Brkt. (R.H.)	31	736-0140		Fl-Wash. .385" I.D. x .62" O.D.
4	786-0003		Tail Piece Brkt. (L.H.)	35	731-1645		Clutch Handle Holder
5	710-0442		Hex Bolt 5/16-18 x 1.5" Lg.	36	720-0269		Grip—Clutch
7	750-0890		Spacer .32" I.D. x .75" O.D.	38	686-0083	N	Clutch Handle Ass'y.
8	786-0005		Depth Bar	39	710-0189		Hex Bolt 5/16-18 x 3" Lg.*
9	711-0415		Clevis Pin .375" I.D. x 1.62" Lg.	40	649-0022	N	Longhorn Handle Ass'y.
10	714-0149B		Internal Cotter Pin	42	746-0918	N	Clutch Control Cable
11	750-0470		Spacer .326" I.D. x .47" O.D.	43	710-1236		Carr. Bolt 5/16-18 x 1" Lg. (Special)
13	710-0176		Hex Bolt 5/16-18 x 2.75" Lg.	46	720-0195		Hand Knob
14	786-0138	N	Frame—R.H.	47	749-0915		Engine Tubing Brace
15	786-0139	N	Frame—L.H.	48	712-0429		Hex L-Nut 5/16-18 Thd.
16	686-0081	N	Wheel Hanger Brkt. Ass'y.	49	736-0242		Bell-Wash. .345" I.D. x .88" O.D.
18	738-0929	N	Shld. Bolt .498" Dia. x 1.45" Lg.	50	710-3008		Hex Bolt 5/16-18 x .75" Lg. (Gr. 5)
19	734-1781		Wheel Ass'y.	51	710-0641		Hex Bolt 1/4-20 x 2.25" Lg.
22	731-1599	N	Handle Cover	52	738-0934		Shld. Bolt
23	711-1036		Spec. Hex Nut	53	710-0604		Hex Wash. Hd. TT-Tap Scr. 5/16-18 x .62" Lg.
24	786-0129		Cable Guide Brkt.	54	710-0602		Hex Wash. Hd. TT-Tap Scr. 5/16-18 x 1" Lg.
25	736-0119		L-Wash. 5/16" I.D.*				
26	736-3020		Fl-Wash. .266" I.D. x .625" O.D.				
27	712-0442		Hex L-Stop Nut 1/4-20 Thd.				

*For faster service obtain standard nuts, bolts and washers locally. If these items cannot be obtained locally, order by part number and size as shown on parts list.

NOTE: Specifications subject to change without notice or obligation.

Model 340



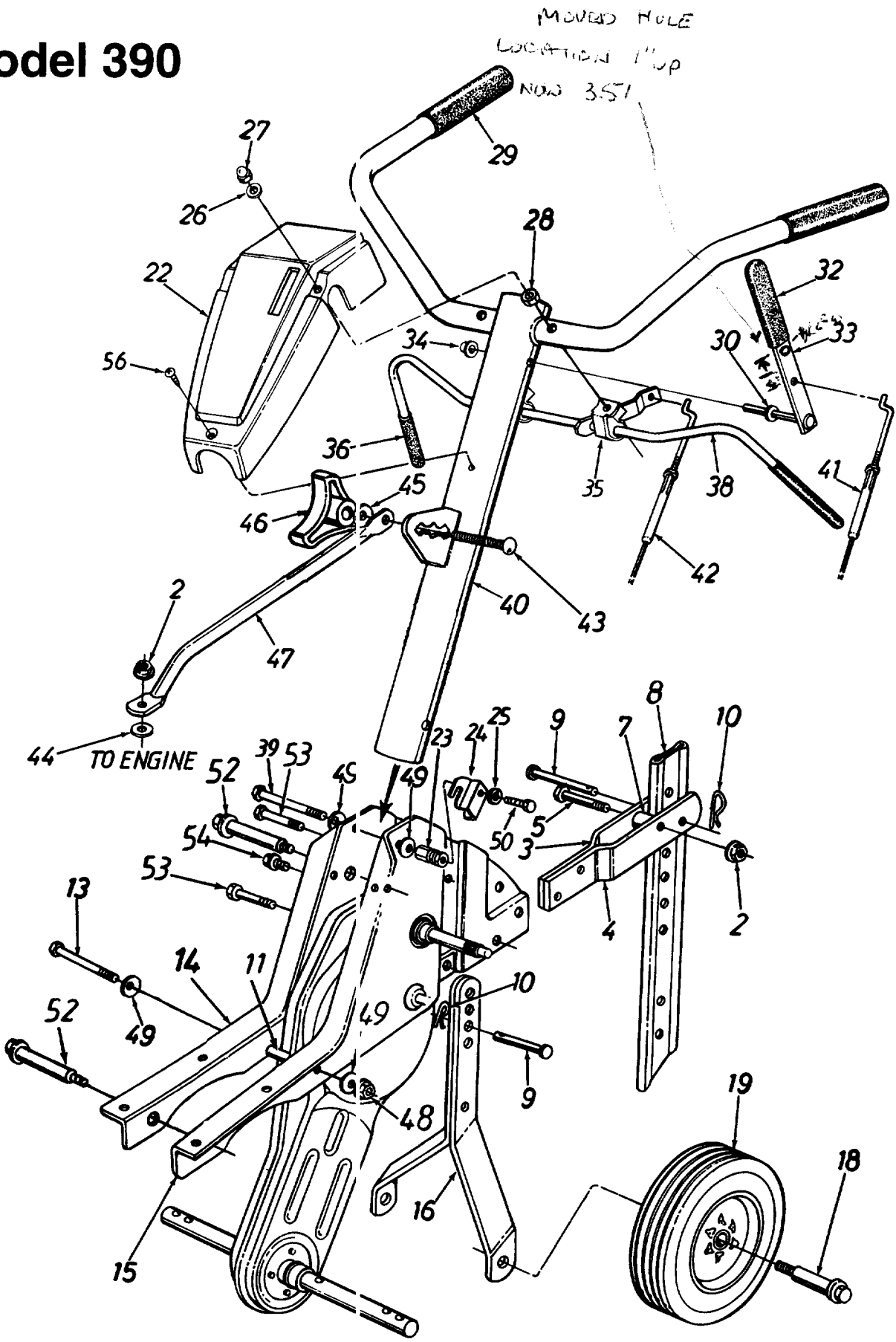
Model 340

PARTS LIST FOR MODEL 340 TILLER

REF. NO.	PART NO.	CODE	DESCRIPTION	REF. NO.	PART NO.	CODE	DESCRIPTION
1	786-0056	N	Belt Cover	26	756-0972		Outer Engine Pulley Half
2	736-3020		FI-Wash. .266" I.D. x .625" O.D.	27	756-0971		Inner Engine Pulley Half
3	710-0599		Hex Wash. Hd. TT-Tap Scr. 1/4-20 x .5" Lg.	28	756-0585		FI-Pulley 6" Dia.
4	712-0392		Hex L-Stop Nut 1/4-28 Thd.	30	754-0428		"V"-Belt
5	712-3004A		Hex Flange Top L-Nut 5/16-18 Thd. (Gr. 5)	31	748-0350		Pulley Mounting Adapter
6	786-0035A	N	Tine Shield	32	736-0112		Bell-Wash. .535" I.D. x 1.5" O.D.
7	710-0118		Hex Bolt 5/16-18 x .75" Lg.*	33	712-3029		Hex Jam Nut 1/2-20 Thd. (Gr. 5)
8	711-0919		Belt Cover Bolt	34	738-0930	N	Shld. Bolt 5/16-18 Thd.
10	736-0171		L-Wash. 7/16" I.D.	35	786-0039		Belt Cover Brkt.
11	710-0502A		Hex Wash. Hd. TT-Tap Scr. 3/8-16 x 1.25" Lg.	38	756-0313		FI-Idler 2.12" O.D.
14	—		Engine	39	710-0723		Hex Cap Bolt 3/8-16 x 1.25" Lg.
16	711-0415		Clevis Pin .375" Dia. x 1.62" Lg.	40	712-0266		Hex Cent. Jam Nut 3/8-16 Thd.
17	714-0149B		Internal Cotter Pin	41	750-0892		Spacer .64" I.D. x 2.4" Lg.
18	642-0005		Outer Tine Ass'y.—L.H.	42	786-0144	N	Tine Idler Brkt.
	642-0004		Outer Tine Ass'y.—R.H. (Not Shown)	43	756-0313		FI-Idler
19	642-0003		Inner Tine Ass'y.—L.H.	44	710-0783		Hex Self-Tap Scr. #8-32 x .38" Lg.
	642-0002		Inner Tine Ass'y.—R.H. (Not Shown)	45	751-0233		Muffler Deflector
20	686-0091	N	Chain Case Ass'y. Comp. (Available Only as Comp. Ass'y.)	46	746-0879		Clutch Control Cable
21	736-0119		L-Wash. 5/16" I.D.*	48	735-0639		Spark Plug Boot (Optional)
22	710-0107		Hex Bolt 5/16-24 x .5" Lg.	50	736-0169		L-Wash. 3/8" I.D.*
24	710-0191		Hex Bolt 3/8-24 x 1.25" Lg.	51	736-0258		FI-Wash. 3/8" I.D. x 1" O.D.
				52	786-0145	N	Engine Plate
				53	786-0053		Tine Shield Support
				54	712-0240		Hex Nut 7/16-20 Thd.
				55	712-3010		Hex Nut 5/16-18 Thd.
				56	736-0312		Bearing Retainer Washer
				57	786-0149	N	Belt Keeper

*For faster service obtain standard nuts, bolts and washers locally.
If these items cannot be obtained locally, order by part number
and size as shown on parts list.

Model 390



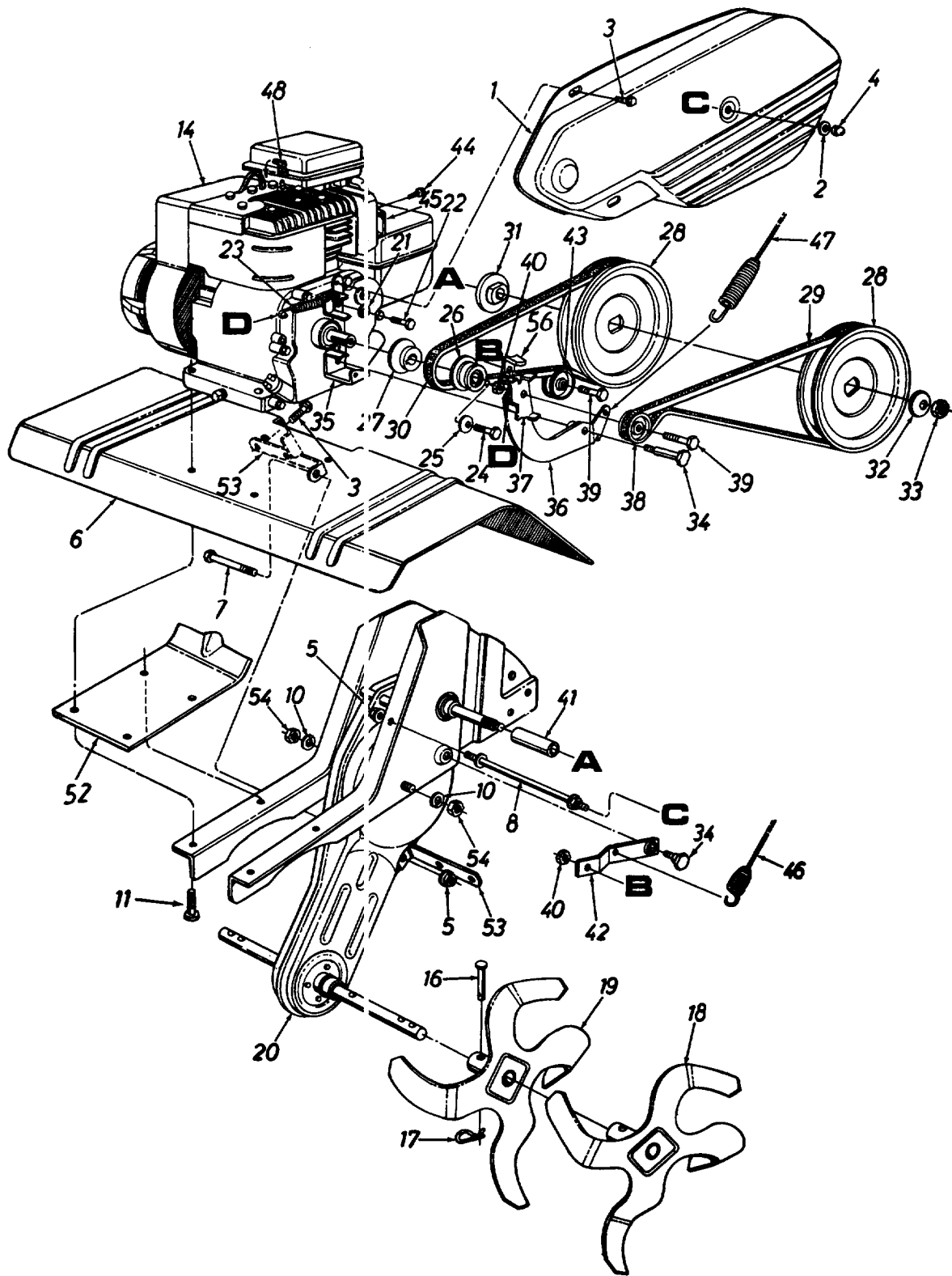
Model 390

PARTS LIST FOR MODEL 390 TILLER

REF. NO.	PART NO.	CODE	DESCRIPTION	REF. NO.	PART NO.	CODE	DESCRIPTION
1	710-0874		Hex Bolt 5/16-18 x 1.25" Lg.	31	736-0140		Fl-Wash. .385" I.D. x .62" O.D.
2	712-3004A		Hex Flange L-Nut 5/16-18 Thd. (Gr. 5)	32	720-0270		Grip-Reverse Lever
3	786-0004		Tail Piece Brkt. (R.H.)	33	686-0014		Reverse Handle Ass'y.
4	786-0003		Tail Piece Brkt. (L.H.)	34	726-0135		Cap Speed Nut
5	710-0442		Hex Bolt 5/16-18 x 1.5" Lg.	35	731-1645		Clutch Handle Holder
7	750-0890		Spacer .32" I.D. x .75" O.D.	36	720-0269		Grip-Clutch
8	786-0005		Depth Bar	38	686-0083	N	Clutch Handle Ass'y.
9	711-0415		Clevis Pin .375" I.D. x 1.62" Lg.	39	710-0189		Hex Bolt 5/16-18 x 3" Lg.
10	714-0149B		Internal Cotter Pin	40	649-0022	N	Longhorn Handle Ass'y.
11	750-0470		Spacer .326" I.D. x .47" O.D.	41	746-0919		Clutch Control Cable-Reverse
12	750-0885		Spacer .322" I.D. x .44" I.D.	42	746-0918		Clutch Control Cable-Forward
13	710-0176		Hex Bolt 5/16-18 x 2.75" Lg.	43	710-1236		Carr. Bolt 5/16-18 x 1" Lg. (Special)
14	786-0138	N	Frame-R.H.	46	720-0195		Hand Knob
15	786-0139	N	Frame-L.H.	47	749-0915		Engine Tubing Brace
16	686-0081	N	Wheel Hanger Brkt. Ass'y.	48	712-0429		Hex Nyloc Nut 5/16-18 Thd.
18	738-0929	N	Shld. Bolt 3/8-16 Thd.	49	736-0242		Bell-Wash. .345" I.D. x .88" O.D.
19	734-1566		Wheel Ass'y. 8" x 1.75"	50	710-3008		Hex Bolt 5/16-18 x .75" Lg. (Gr. 5)
22	731-1600		Handle Cover w/Reverse				Hex Bolt 1/4-20 x 2.25" Lg.
23	711-1036		Spec. Hex Nut	51	710-0641		Shld. Bolt
24	786-0129		Cable Guide Brkt.	52	738-0934		Hex Wash. Hd. TT-Tap Scr. 5/16-18 x .62" Lg.
25	736-0119		L-Wash. 5/16" I.D.*	53	710-0604		Hex Wash Hd. TT-Tap Scr. 5/16-18 x 1" Lg.
26	736-3020		Fl-Wash. .266" I.D. x .625" O.D.				Truss Mach. Scr. #10 x 1/2" Lg.
27	712-0442		Hex L-Stop Nut 1/4-20 Thd.	54	710-0602		
28	712-0287		Hex Nut 1/4-20 Thd.*	56	710-0779A		
29	720-0268		Grip-Handle				
30	736-0264		Fl-Wash. .344" I.D. x .62" O.D.				

*For faster service obtain standard nuts, bolts and washers locally.
If these items cannot be obtained locally, order by part number
and size as shown on parts list.

Model 390



Model 390

PARTS LIST FOR MODEL 390 TILLER

REF. NO.	PART NO.	CODE	DESCRIPTION	REF. NO.	PART NO.	CODE	DESCRIPTION
1	786-0057	N	Belt Cover	25	736-0452		Bell-Wash. .396" I.D. x 1.14" O.D.
2	736-3020		Fl-Wash. .266" I.D. x .625" O.D.	26	756-0600		Outer Engine Pulley Half
3	710-0599		Hex Wash. Hd. TT-Tap Scr. 1/4-20 x .5" Lg.	27	756-0971		Inner Engine Pulley Half
4	712-0392		Hex L-Stop Nut 1/4-28 Thd.	28	756-0585		Fl-Pulley 6" Dia.
5	712-3004A		Hex Flange Top L-Nut 5/16-18 Thd. (Gr. 5)	29	754-0429		"V"-Belt (Reverse)
6	786-0035A	N	Tine Shield	30	754-0428		"V"-Belt (Forward)
7	710-0118		Hex Bolt 5/16-18 x .75" Lg.*	31	748-0350		Pulley Mounting Adapter
8	711-0920		Belt Cover Bolt	32	736-0112		Bell-Wash. .535" I.D. x 1.5" O.D.
10	736-0171		L-Wash. 7/16" I.D.	33	712-3029		Hex Jam Nut 1/2-20 Thd. (Gr. 5)
11	710-0502A		Hex L-Wash. TT-Tap Scr. 3/8-16 x 1.25" Lg.	34	738-0930	N	Shld. Bolt 5/16-18 Thd.
14	—		Engine	35	786-0040		Reverse Mounting Brkt.
15	736-0170		Spec. L-Nut 5/16" I.D.	36	686-0013		Reverse Arm Ass'y.
16	711-0415		Clevis Pin .375" Dia. x 1.62" Lg.	37	786-0041		Keeper Plate
17	714-0149B		Internal Cotter Pin	38	756-0313		Fl-Idler 2.12" O.D.
18	642-0005		Outer Tine Ass'y.—L.H.	39	710-0723		Hex Cap Bolt 3/8-16 x 1.25" Lg.
	642-0004		Outer Tine Ass'y.—R.H. (Not Shown)	40	712-0266		Hex Cent. Jam Nut 3/8-16 Thd.
19	642-0003		Inner Tine Ass'y.—L.H.	41	750-0892		Spacer .64" I.D. x 2.4" Lg.
	642-0002		Inner Tine Ass'y.—R.H. (Not Shown)	42	786-0144	N	Tine Idler Brkt. Ass'y.
20	686-0091	N	Chain Case Ass'y. Comp. (Available Only as Comp. Ass'y.)	43	756-0313		Fl-Idler 2.12" O.D.
21	736-0119		L-Wash. 5/16" I.D.*	44	710-0783		Hex Self-Tap Scr. #8-32 x .38" Lg.
22	710-0107		Hex Bolt 5/16-24 x .5" Lg.	45	751-0233		Muffler Deflector
23	732-0697		Return Spring 2.7" Lg.	46	746-0918		Clutch Control Cable—Forward
24	710-0191		Hex Bolt 3/8-24 x 1.25" Lg.	47	746-0919		Clutch Control Cable—Reverse
				48	735-0639		Spark Plug Boot (Optional)
				52	786-0145	N	Engine Plate
				53	786-0053		Tine Shield Support
				54	712-0240		Hex Nut 7/16-20 Thd.
				56	786-0149	N	Belt Keeper

*For faster service obtain standard nuts, bolts and washers locally.
If these items cannot be obtained locally, order by part number
and size as shown on parts list.





