

30" Induction Cooktop

Features & Benefits

- Smooth Surface (ceramic glass w/stainless trim on bottom)
- touchSlide™ Electronic Controls
- Superior Responsiveness
- Accurate Simmering
- Speed Heating, Boost Function
- Dual Element
- Approved for use with select Siemens Undercounter Wall Ovens
- Up to 60 times faster heating than radiant and 25 times faster than gas
- Over spill will not burn onto glass
- Surface does not heat, safe to touch
- 17 Power Levels
- Keep Warm Function
- Timer

Installation

30" Induction Cooktop	Overall Dimensions
A	30"
B	21"
C	3-5/8"
D	28-3/4" – 28-7/8"
Cutout Dimensions	
E	19-7/8" – 20"

EH7752UC

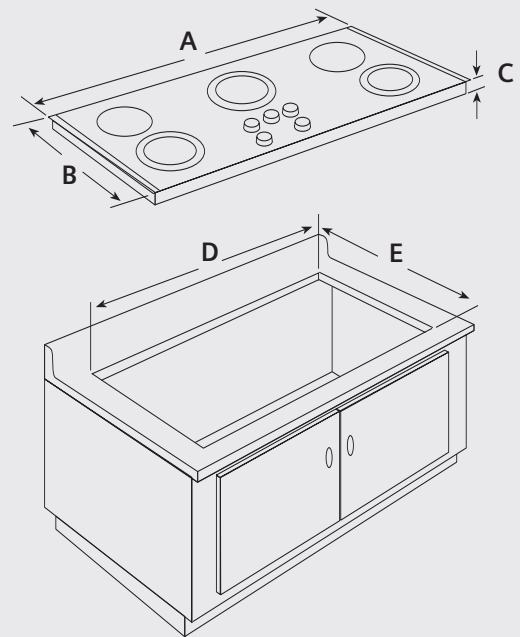
Dimensions	30"
Color Option	Stainless Steel
Boost Function	•
Electronic Touch-Through-Glass Control	•
Durable Ceramic-Glass Surface	•
Stainless Steel Frame	•
Flush Euro Design	•
Dual Rated 208/240 Volts, 3-Wire, 60 Hz, 40A	•
Shipping Weight (lbs.)	35

Element Wattage (in kW)

Left Front Single	1.8 / 2.5
Left Rear Single	1.8 / 2.5
Right Rear Single	2.4 / 3.4
Right Front Single	1.4 / 1.8

Element Size (in inch)

Left Front	7"
Left Rear	7"
Right Rear	11"
Right Front	6"



Siemens 30" Induction Cooktop

The future moving in.

SIEMENS

Ⓛ BSH reserves the absolute and unrestricted right to change product materials and specifications, at any time, without notice. Consult the product's installation instructions for final dimensional data and other details. Applicable product warranty can be found in accompanying product literature or you may contact your account manager for further details.
Notes: All height, width and depth dimensions are shown in inches. Please refer to installation instructions prior to making cutout.

1-888-4-SIEMENS • In the US: siemens-home.com • In Canada: siemens-home.ca

Copyright ©2007 BSH Home Appliances Corporation. All rights reserved. All rights reserved. Specifications subject to change without notice.

61-020-0207
Litho Date: 02/07